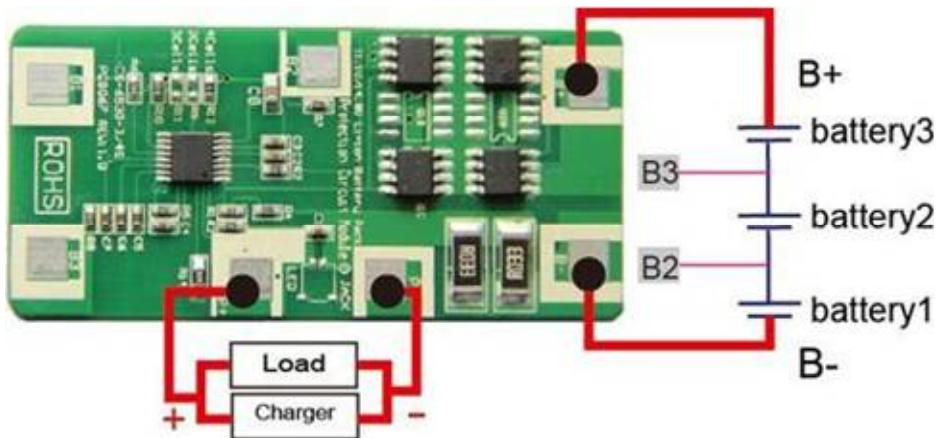


POWER-XTRA

Model : Power-Xtra Li-ion/Li-Po PCM 11.1V (3 Cell) 12A _PX-D087 Ver: A0 NO: 900.600.501.098

Item	Contents		Criteria(Adjustable)
1	Model	PCX-D087	3S-12A working current
2	Voltage	Charging voltage	12.6V
3	Current	Maximal continuous charging current	12A
		Maximal continuous discharging current	12A
		Current consumption	≤50μA
4	Overcharge Protection	Over charge detection voltage	4.25V±0.025V
		Over charge detection delay time	0.5-2S
		Over charge release voltage	4.10V±0.05V
5	Over Discharge Protection	Over discharge detection voltage	3.00V±0.08V
		Over discharge detection delay time	50-200mS
		Over discharge release voltage	3.20V±0.1V
6	Over Current Protection	Over current detection voltage	0.1V-0.2V
		Over current detection current	30A±10A
		Detection delay time	5-20mS
		Release condition	Cut load,automatically recover
7	Short Circuit Protection	Detection condition	Exterior shot circuit
		Detection delay time	200-500uS
		Release condition	Cut load,automatically recover
8	Balance	Balance voltage for single cell	/
		Balance current for single cell	/
9	Resistance	Inner resistance	≤20mΩ
10	Temperature	Operating temperature range	0 - +85°C
		Storage temperature range	0 - +85°C
11	Size (L*W*T)	L64mm*W30mm*T5mm	



Remarks:

Charge, Discharge at same Port
 P+=B+/Charge+ / Discharge+ P-
 =Charge- / Discharge-