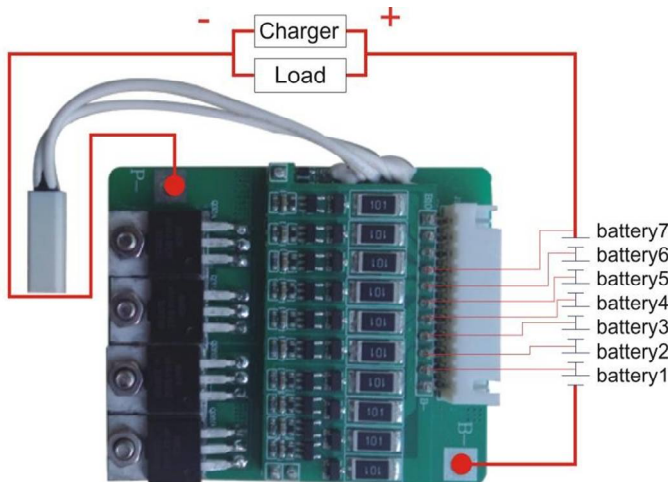


# POWER-XTRA

Model : Power-Xtra Li-ion/Li-Po PCM 25.9V (7 Cell) 10A \_PX-D190 Ver: A0 NO: 900.600.501.115

Item	Contents		Criteria (Adjustable)
1	Model	PCX-D190	7S-10A working current
2	Voltage	Charging voltage	29.4V
3	Current	Maximal continuous charging current	10A
		Maximal continuous discharging current	10A
		Current consumption	≤50μA
4	Overcharge Protection	Over charge detection voltage	4.25V±0.025V
		Over charge detection delay time	0.5-2S
		Over charge release voltage	4.05V±0.05V
5	Over Discharge Protection	Over discharge detection voltage	2.50V±0.0625V
		Over discharge detection delay time	50-200mS
		Over discharge release voltage	3.00V±0.1V
6	Over Current Protection	Over current detection voltage	0.1V-0.2V
		Over current detection current	35A±10A
		Detection delay time	5-20mS
		Release condition	Cut load, automatically recover
7	Short Circuit Protection	Detection condition	Exterior shot circuit
		Detection delay time	200-500uS
		Release condition	Cut load, automatically recover
8	Balance	Balance voltage for single cell	4.2V±0.025V
		Balance current for single cell	84±10mA
9	Resistance	Inner resistance	≤20mΩ
10	Temperature	Operating temperature range	0 ~ +85° C
		Storage temperature range	0 ~ +85° C
11	Size (L*W*T)	L60mm*W50mm*T15mm	



## Remarks:

Charge, Discharge at same Port  
 P+=B+ / Charge+ / Discharge+ P-  
 =Charge- / Discharge-