

TLH-2450

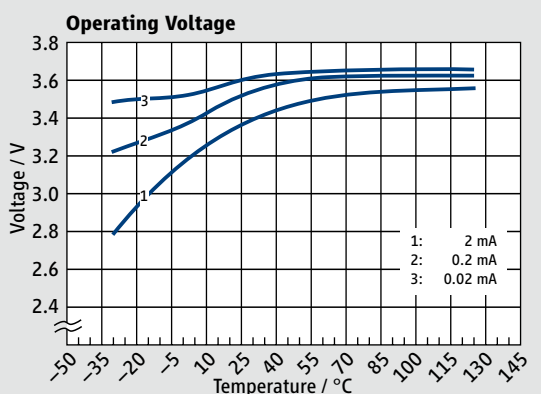
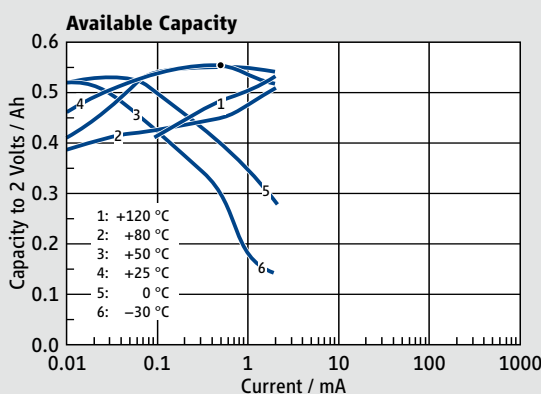
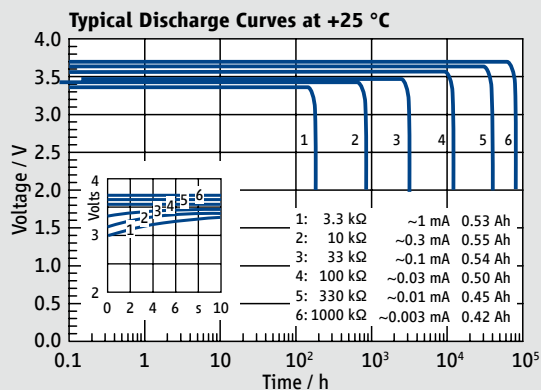
Size: 1/10C

- > Extended temperature range
- > iXtra – long term high performance

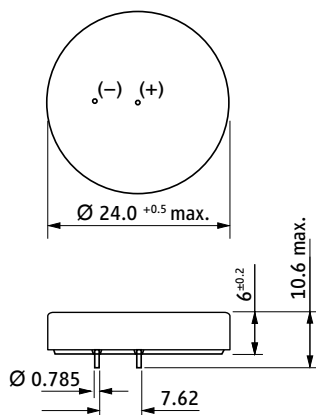
Performance Data

(Typical values for batteries stored at +25 °C for one year)

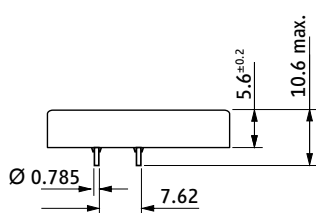
System	Lithium Thionyl Chloride
Nominal voltage	3.6 V
Nominal capacity	0.55 Ah
Nominal current	0.5 mA
Max. continuous discharge current	5 mA
Pulse current capability	10 mA
Anode surface area	4.3 cm ²
Lithium content	0.2 g
Weight	8.8 g
Volume	2.6 cm ³
Temperature range	-55 °C ... +125 °C



TLH-2450 (with insulation disc)



TLH-2450 (without insulation disc)



Available Terminations

Termination	Description	Catalogue No.
TLH-2450/P	Pins (with insulation disc)	11 1 15763 02
TLH-2450/P	Pins (without insulation disc)	11 1 15763 32

WARNING:
Fire, explosion, and severe burn hazard. Do not recharge, disassemble, heat above 100 °C, incinerate, or expose contents to water.

Any values given here are for informational purposes only. They also depend on actual conditions of use and are not warranties of future performance. Subject to change.

Tadiran Batteries GmbH • Industriestr. 22 • 63654 BÜDINGEN GERMANY • Tel.: +49 (0)6042 954-0 • www.tadiranbatteries.de