

100IC6ST

Product Data Sheet



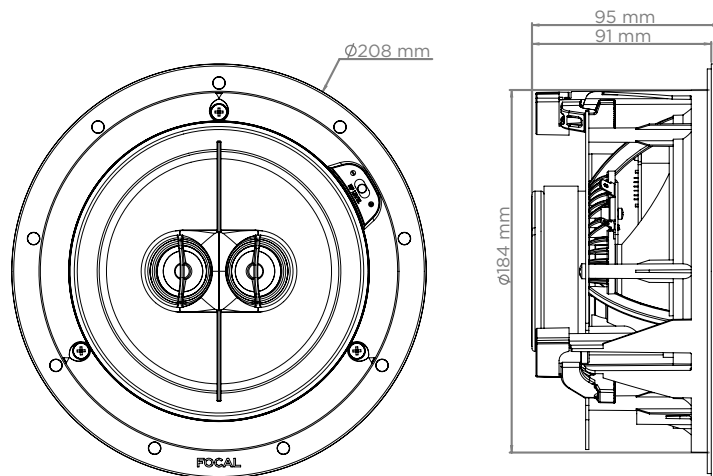
Key Points

- Product designed and developed in France by Focal
- Compact product with shallow mounting depth
- For in-ceiling or in-wall loudspeakers (1 product, 2 uses)
- Possible to connect two loudspeakers to the same amplifier output
- Ready-to-paint grille

Technical Specifications

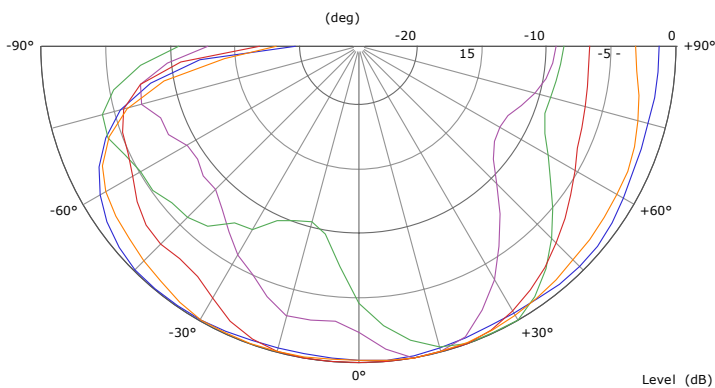
Type	In-ceiling - Stereo 2-way coaxial
Drivers	6 ¹ / ₂ " (16,5cm) Dual voice coil Polyglass Midbass. 2 x 1" (25mm) Al inverted dome Tweeters
Sensitivity (2.83V/1m)	89dB
Frequency response (+/-3dB)	60Hz-23kHz
Low frequency point (-6dB)	48Hz
Nominal impedance	2x8Ω
Minimal impedance	2x6,7Ω
Recommended amplifier power	25-100W
External dimensions (Ø/Depth)	8 ³ / ₁₆ "x3 ⁴ / ₁₆ " (208x95mm)
Cut-Out diameter	7 ¹ / ₄ " (184mm)
Depth from wall	3 ³ / ₁₆ " (91mm)
Net weight (with front grille)	3.86lbs (1.75kg)
Packing dimensions (WxDxH)	10 ⁵ / ₈ "x10 ⁵ / ₈ "x6 ¹ / ₁₆ " (270x270x170mm)
Total weight (with packaging)	5.29lbs (2.40kg)

Dimensions

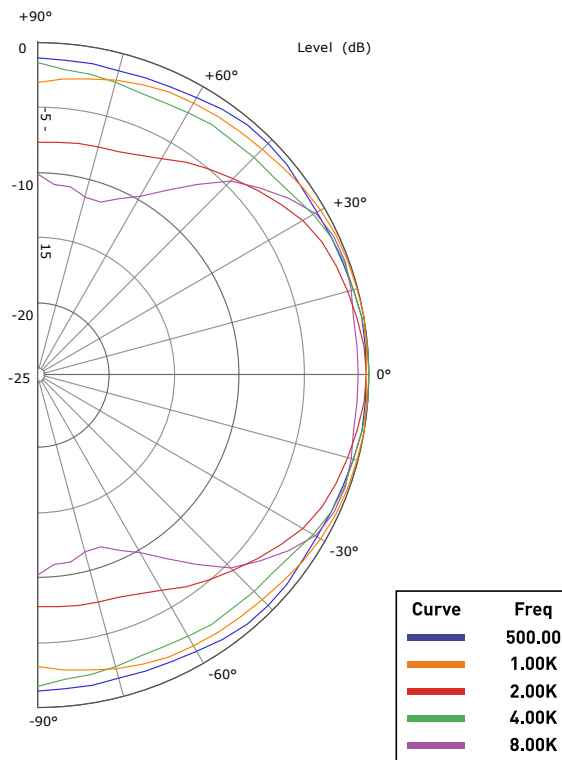


Measurements Directivity

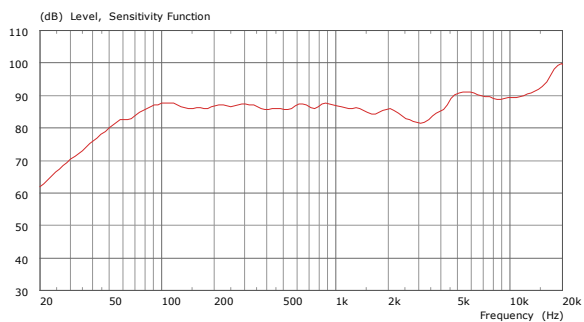
Horizontal (right)



Vertical



Frequency Response



100IC6ST Speaker level Calculation Table

Power/Distance	1 m	2 m	5 m
1 W (2,83 V)	89 dB	83 dB	75 dB
5 W (8,94 V)	99 dB	93 dB	85 dB
10 W (12,6 V)	102 dB	96 dB	88 dB
20 W (15,5 V)	104 dB	98 dB	90 dB

Summary	125 Hz	250 Hz	500 Hz	1kHz	2kHz	4kHz	8kHz
SPL (2.83 V/1 m) (dB)	89	89	88	89	88	87	91
Opening Angle at -6dB	180°	180°	180°	180°	110°	180°	100°