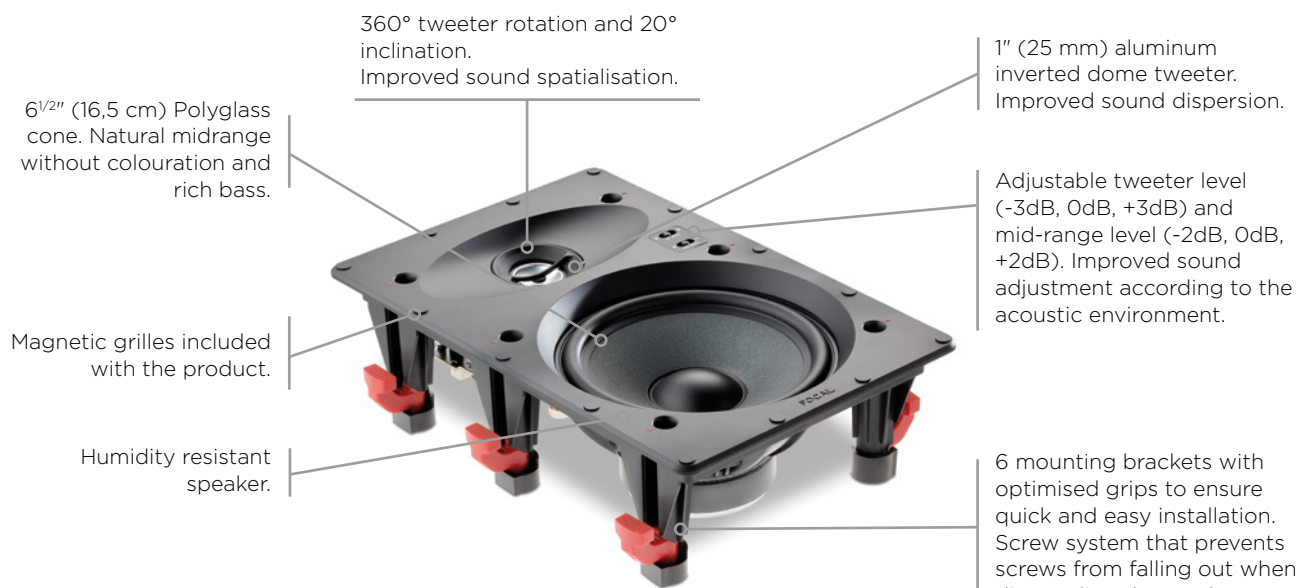


100IW6

Product Data Sheet



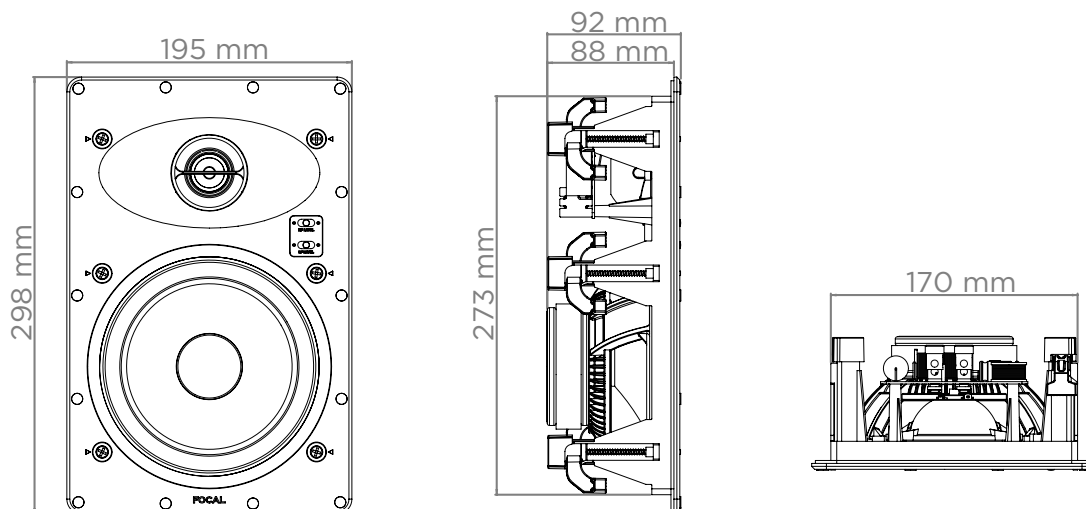
Key Points

- Product designed and developed in France by Focal
- Compact product with shallow mounting depth
- For in-ceiling or in-wall loudspeakers (1 product, 2 uses)
- Possible to connect two loudspeakers to the same amplifier output
- Ready-to-paint grille

Technical Specifications

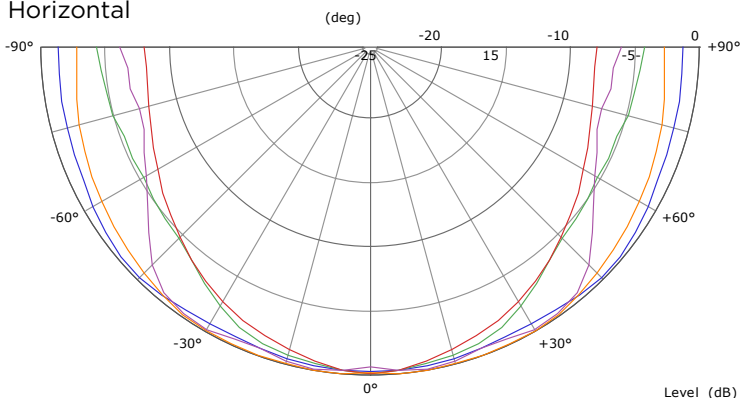
Type	in-wall 2-way
Drivers	6 1/2" (16,5cm) Polyglass Midbass. 1" (25mm) Al inverted dome Tweeter
Sensitivity (2.83V/1m)	89dB
Frequency response (+/-3dB)	60Hz-23kHz
Low frequency point (-6dB)	48Hz
Nominal impedance	8Ω
Minimal impedance	7,2Ω
Recommended amplifier power	25-120W
External dimensions (Ø/Depth)	11 47/64" x 7 43/64" x 3 5/8" (298x195x92mm)
Cut-Out diameter	10 3/4" x 6 11/16" (273x170mm)
Depth from wall	4 15/32" (88mm)
Net weight (with front grille)	4,1lbs (1.85kg)
Packing dimensions (WxDxH)	13 1/2" x 9 29/64" x 4 61/64" (343x240x126mm)
Total weight (with packaging)	4.98lbs (2.25kg)

Dimensions

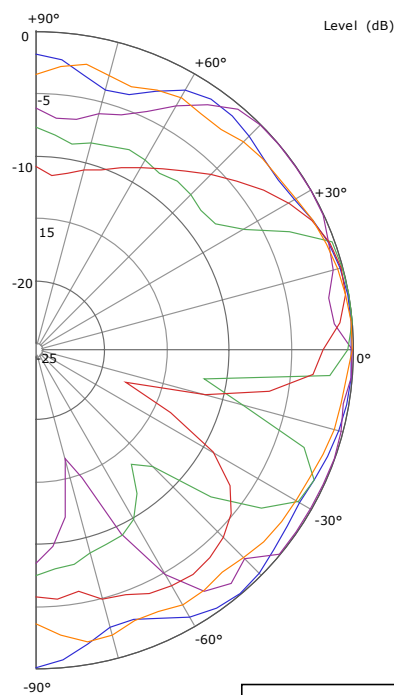


Measurements Directivity

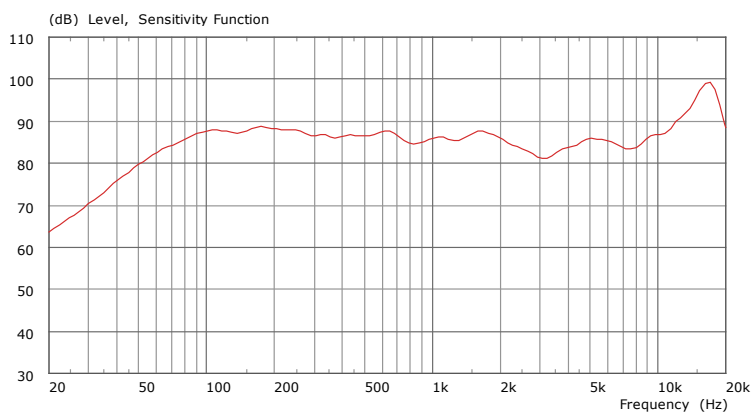
Horizontal



Vertical



Frequency Response



Curve	Freq
Blue	500.00
Orange	1.00K
Red	2.00K
Green	4.00K
Purple	8.00K

100IW6 Speaker level Calculation Table

Puissance/Distance	1 m	2 m	5 m
1 W (2,83 V)	89 dB	83 dB	75 dB
5 W (8,94 V)	99 dB	93 dB	85 dB
10 W (12,6 V)	102 dB	96 dB	88 dB
30 W (15,5 V)	104 dB	98 dB	90 dB

Récapitulatif	125 Hz	250 Hz	500 Hz	1kHz	2kHz	4kHz	8kHz
SPL (2.83 V/1 m) (dB)	89	89	89	87,5	87,5	86	86
Angle d'ouverture à -6dB	180°	180°	180°	180°	110°	180°	130°