

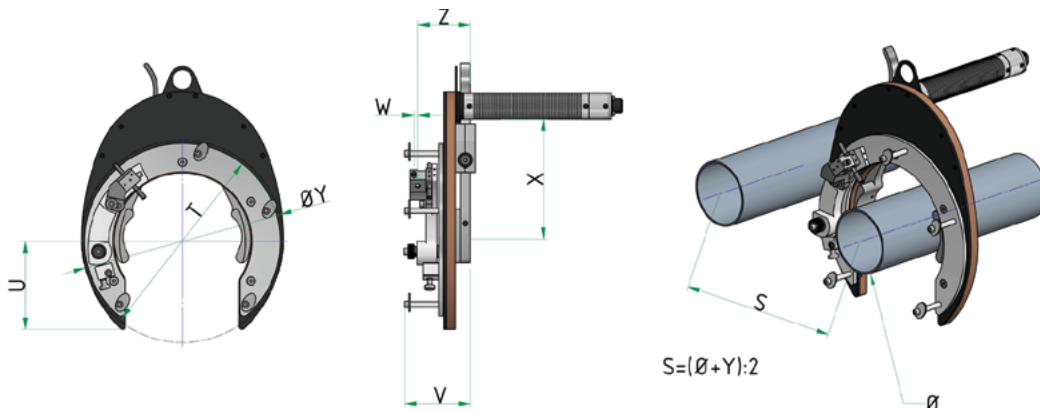


OWH Open Weld Heads

THE FUTURE OF ORBITAL WELDING

DESCRIPTION:

- Handy orbital welding head
- First-class arranged engine and gear
- Operation with water- or gas cooled TIG-torches
- Compatible to Orbitec-heads
- Also available in tachogenerator-version (AMI, Orbitalum, Magnatech, ESAB, ...)
- Various attachment-possibilities of cold wire-holders
- Accessories: Stable suitcase with first-class foam material-insert
- Torch holders are made of high-strength aluminium. The dimension Z is more expanded due to the necessary isolation to the weld head. If required, slim plastic holders are available. -> Minor endurance like our competitors' holders.



TECHNICAL DATA:

weld head	range	range with screwing clamps	weight without hose package	T	U	V	W	X	Y max	Z
OWH-76	10 - 80 mm	10 - 40 mm	3,0 kg	141	65	98,3	7	90	235	79
OWH-114	20 - 115 mm	20 - 50 mm	4,5 kg	200	92	99,3	7	130	322	79
OWH-168	25 - 170 mm	25 - 80 mm	6,5 kg	297	133	99,3	7	185	476	79
OWH-273	101 - 273 mm	101 - 170 mm	15 kg	450	220	126	7	270	450	100