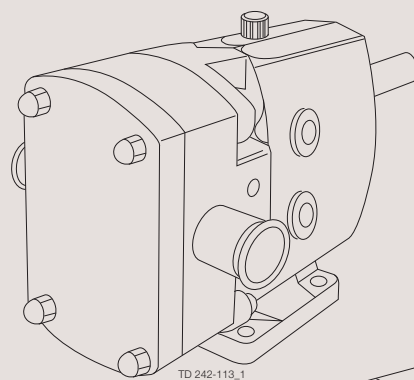


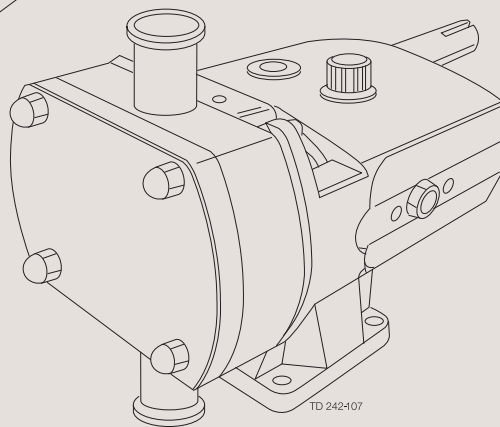


Spare Parts

Rotary Lobe Pumps - SX UltraPure Range



TD 242-113_1

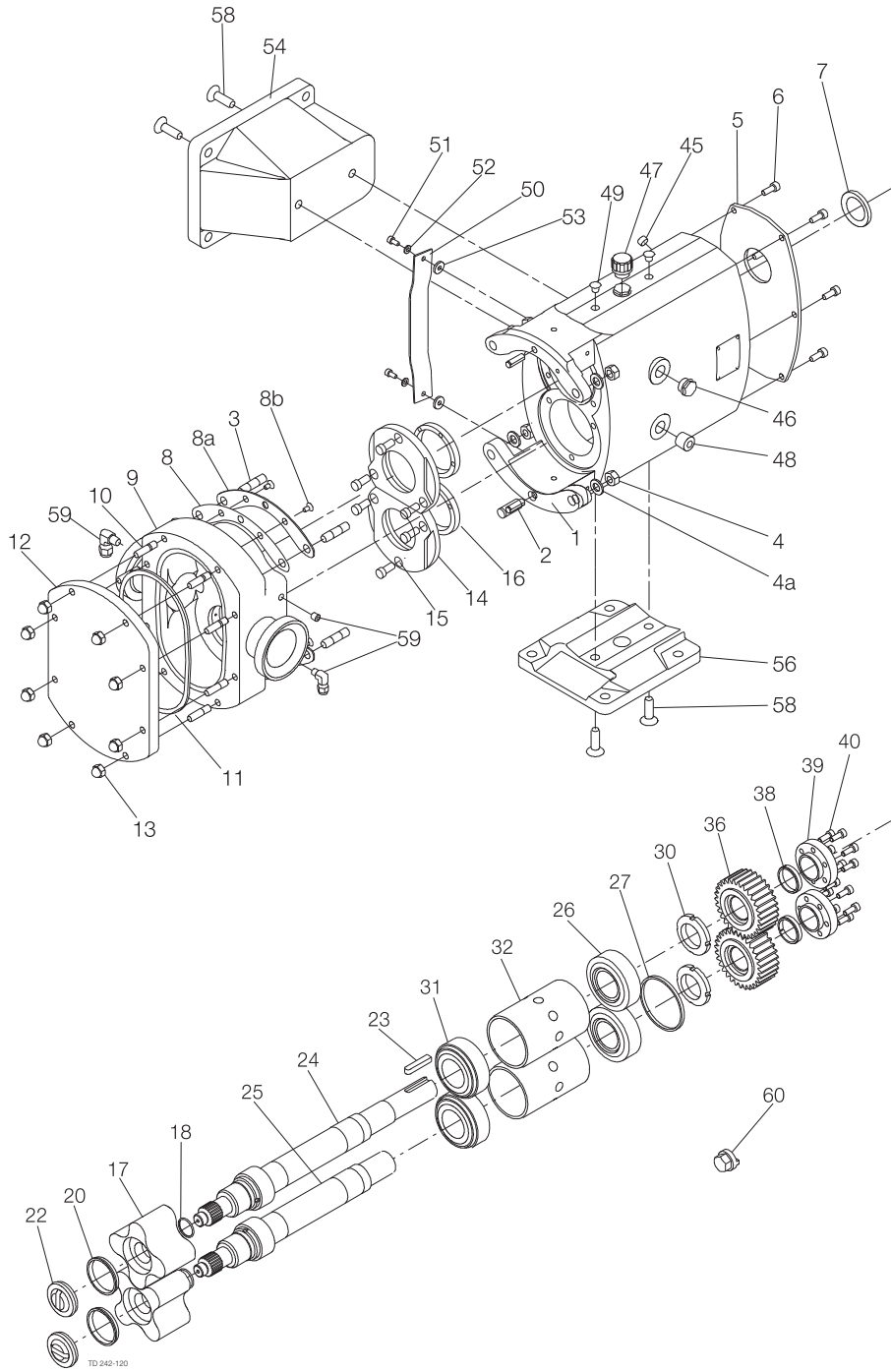


TD 242-107

Table of contents

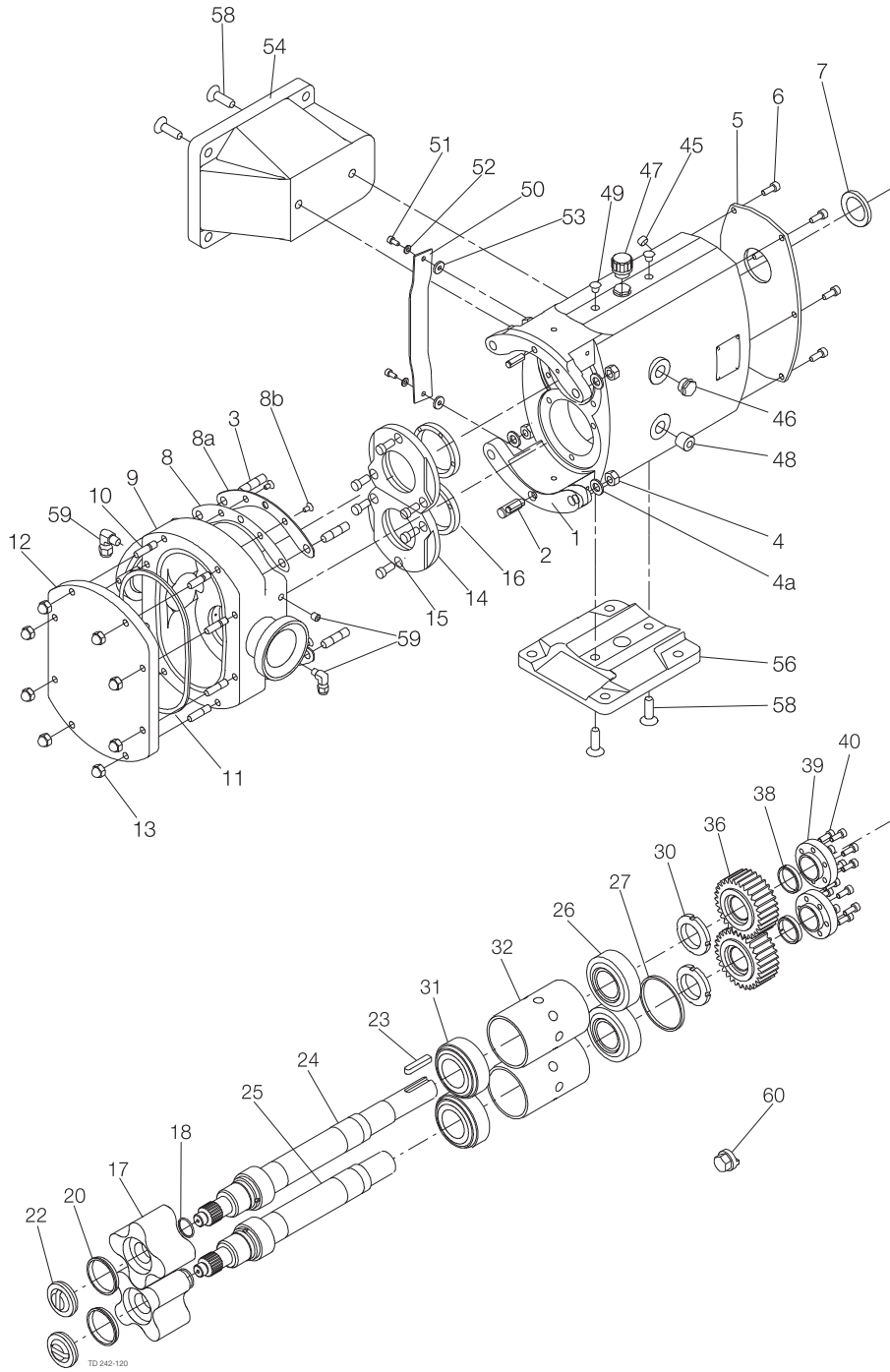
The information herein is correct at the time of issue but may be subject to change without prior notice

1. SX UltraPure 1 Pump Range	4
2. SX UltraPure 2 Pump Range	6
3. SX UltraPure 3 Pump Range	8
4. SX UltraPure 4 Pump Range	10
5. SX UltraPure 5 Pump Range	12
6. SX UltraPure 6 Pump Range	14
7. SX UltraPure 7 Pump Range	16
8. SX UltraPure 1-7, Cover/Rotor Seal Kits	18
9. Service Kits (R00 Single Mechanical Seals) - SX UltraPure Pump Range	19
10. Service Kits (R00 Single Flushed Mechanical Seals) - SX UltraPure Pump Range	20
11. Service Kits (R00 Double Mechanical Seals) SX UP1-2 Pump Models	21
12. Service Kits (R00 Double Mechanical Seals) SX UP3-4 Pump Models	22
13. Service Kits (R00 Double Mechanical Seals) SX UP5-6 Pump Models	23
14. Service Kits (R00 Double Mechanical Seals) SX UP7 Pump Models	24
15. SX UltraPure R00 Single Mechanical Seals (Complete)	26
16. SX UltraPure R00 Single Flushed Mechanical Seals (Complete)	28
17. R00 Double Mechanical Seals (Complete) - SX UltraPure 1-3 Pump Range	30
18. R00 Double Mechanical Seals (Complete) - SX UltraPure 4-6 Pump Models	32
19. R00 Double Mechanical Seals (Complete) - SX UltraPure 7 Pump Models	34
20. R00 Mechanical Seals (Parts) - SX UP1 and SX UP2 Pump Models	36
21. R00 Mechanical Seals (Parts) - SX UP3 and SX UP4 Pump Models	37
22. R00 Mechanical Seals (Parts) - SX UP5 and SX UP6 Pump Models	38
23. R00 Mechanical Seals (Parts) - SX UP7 Pump Models	39
24. SX UltraPure ATEX Parts	40
25. Revision History - SX UltraPure Pump Range	41



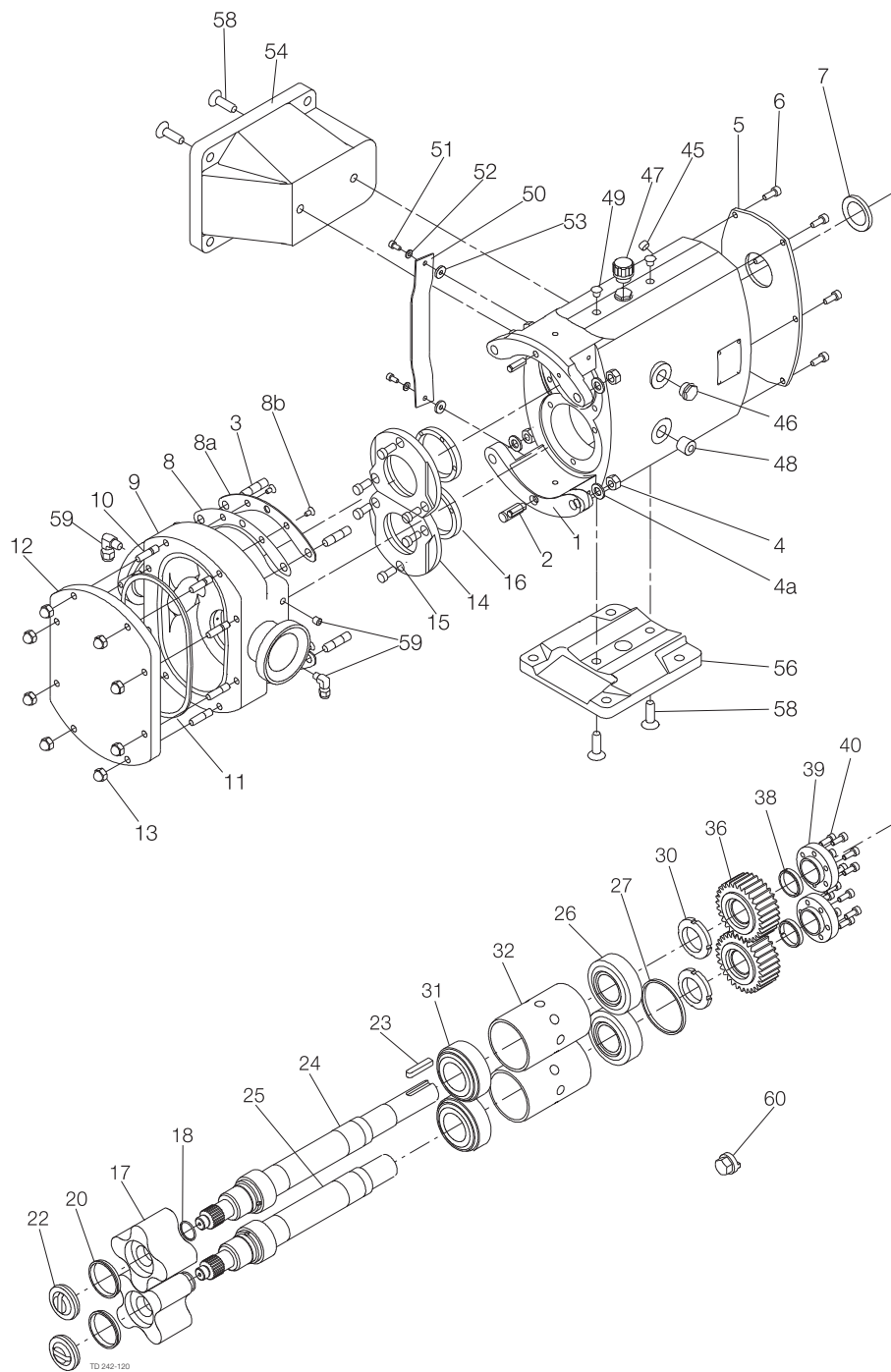
SX UltraPure 1 Pump Range

Pos	Qty	Denomination	Item No.
1	1	Gearcase	9630650041
2	2	Dowel	9630998448
3	4	Stud, rotorcase retention & cover retention, SX UP1/005	9630074135
	4	Stud, rotorcase retention, SX UP 1/007	9630052259
4	4	Nut, rotorcase retention	9630024057
4a	4	Washer, rotorcase retention	9630024231
5	1	Cover gearcase	9630863237
6	6	Screw gearcase cover	9630030332
7	1	Lip seal, rear	9630032806
8	1	Shim - standard, (for ATEX pump see 'ATEX Parts') Polymex	9630034305
set			
8a	2	Shim retainer	9630050684
8b	4	Screw, shim retainer	9630050533
9	1	Rotorcase, 1" (25mm) connections DIN11851, SX UP1/005	9630102095
	1	Rotorcase, 1" (25mm) connections SMS, SX UP1/005	9630102093
	1	Rotorcase, 1" (25mm) connections Tri-clamp, SSX UP1/005	9630102092
	1	Rotorcase, 1" (25mm) connections - Electropolished Tri-clamp, SX UP1/005	9630857386
	1	Rotorcase, 1.1/2" (40mm) connections DIN11851, SX UP1/007	9630102116
	1	Rotorcase, 1.1/2" (40mm) connections SMS, SX UP1/007	9630102114
	1	Rotorcase, 1.1/2" (40mm) connections Tri-clamp SX UP1/007 ..	9630102112
	1	Rotorcase, 1.1/2" (40mm) connections - Electropolished Tri-clamp, SX UP1/007	9630124737
10	4	Stud, rotorcase/cover retention, SX UP1/007	9630052259
11	1	Compression joint, USP Class VI FPM	9630070718
	1	Compression joint, USP Class VI Silicone	9630070719
	1	Compression joint, USP Class VI, EPDM	9630070720
12	1	Cover, rotorcase	9630070814
	1	Cover, rotorcase - Electropolished	9630124854
13	4	Dome nut, rotorcase cover	9630024095
14	2	Retainer, seal	9630863330
15	6	Screw, seal retainer	9630030332
16	2	Lip seal, gland end	9630072343
17	2	Rotor, Stainless Steel, 6 bar 150°C, SX UP1/005	9630111925
	2	Rotor, Stainless Steel, 12 bar 150°C, SX UP1/007	9630112717
	2	Rotor, Stainless Steel, 7 bar 150°C, SX UP1/007	9630126009
	2	Rotor, Stainless Steel - Electropolished, 6 bar 150°C, SX UP1/005	9630857269
	2	Rotor, Stainless Steel - Electropolished, 12 bar 150°C, SX UP1/007	9630857270
	2	Rotor, Stainless Steel - Electropolished, 7 bar 150°C, SX UP1/007	9630857261
20	2	Cup seal, rotor retainer, USP Class VI, FPM	9630070696
	2	Cup seal, rotor retainer, USP Class VI, Silicone	9630070698
	2	Cup seal, rotor retainer, USP Class VI, EPDM	9630070697
22	2	Rotor retainer	9630070730
	2	Rotor retainer, Electropolished	9630857306
23	1	Key	9630031498
24	1	Shaft, drive, SX UP1/005	9630070799
	1	Shaft, drive, SX UP1/007	9630070800
25	1	Shaft, auxiliary, SX UP1/005	9630070798
	1	Shaft, auxiliary, SX UP1/007	9630070801
26	2	Bearing, rear	9630029026
27	1	Spacer, shaft abutment	9630032664
30	2	Nut, bearing	9630029135
31	2	Bearing, front	9630029026
32	2	Spacer, bearing	9630033403
36	2	Timing gear	9630069308
38	2	Torque locking element	9630025151
39	2	Clamp plate	9630031371
40	12	Screw, clamp plate	9630030096
45	2	Drain plug	9630024417
46	1	Sight glass, standard (for ATEX pump see 'ATEX Parts')	9630032778
47	1	Filler plug, standard (for ATEX pump see 'ATEX Parts')	9630651688
48	2	Plug	9630104561
49	4	Blanking plug	9630089950
50	2	Gland guard, standard (for ATEX pump see 'ATEX Parts')	9630111575
51	4	Screw, gland guard	9630050533
53	4	Washer, gland guard	9630924711
54	1	Foot, vertical port	9630651709
56	1	Foot, horizontal port	9630070561
58	2	Screw, foot	9630074795
60	1	Tool, rotor retainer	9630070709



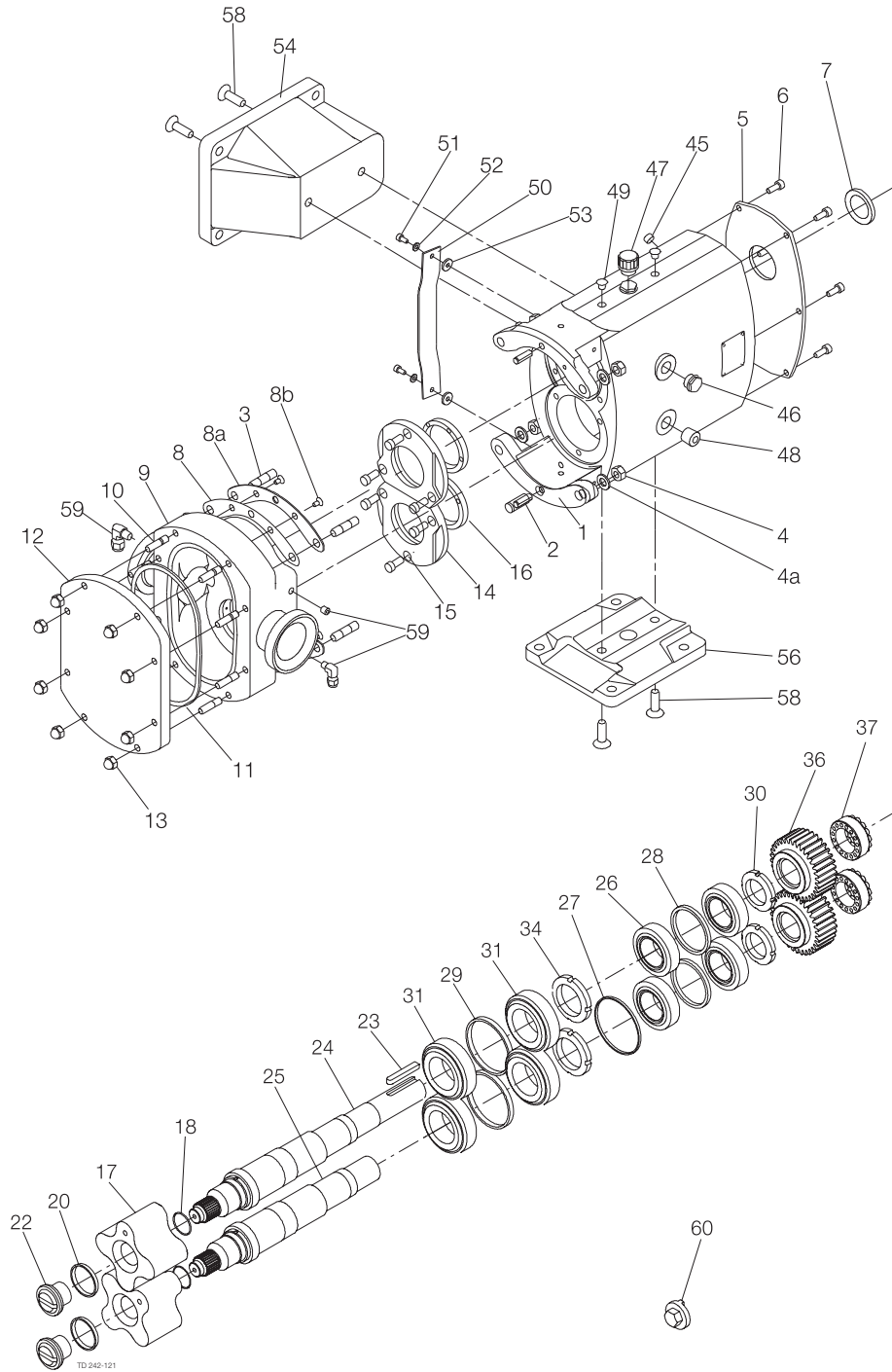
SX UltraPure 2 Pump Range

Pos	Qty	Denomination	Item No.
1	1	Gearcase	9630650042
2	2	Dowel	9630998448
3	4	Stud, rotorcase retention	9630052261
4	4	Nut, rotorcase retention	9630024051
4a	4	Washer, rotorcase retention	9630024233
5	1	Cover gearcase	9630862407
6	6	Screw, gearcase cover	9630030332
7	1	Lip seal, rear	9630032807
8	1	Shim, standard (for ATEX pump see 'ATEX Parts') Polymex	9630034199
		set	
8a	2	Shim retainer	9630089541
8b	4	Screw, shim retainer	9630050533
9	1	Rotorcase, 1.1/2" (40mm) DIN11851, SX UP2/013	9630102158
	1	Rotorcase, 1.1/2" (40mm) connections SMS, SX UP2/013	9630102161
	1	Rotorcase, 1.1/2" (40mm) connections Tri-clamp, SX UP2/013	9630102119
	1	Rotorcase, 1.1/2" (40mm) connections - Electropolished Tri-clamp, SX UP2/013	9630124208
	1	Rotorcase, 2" (50mm) connections DIN11851, SX UP2/018	9630102162
	1	Rotorcase, 2" (50mm) connections SMS, SX UP2/018	9630102165
	1	Rotorcase, 2" (50mm) connections Tri-clamp, SX UP2/018	9630102166
	1	Rotorcase, 2" (50mm) connections - Electropolished Tri-clamp, SX UP2/018	9630857387
10	4	Stud, rotorcase/cover retention	9630024086
11	1	Compression joint, USP Class VI, FPM	9630070193
	1	Compression joint, USP Class VI, Silicone	9630070194
	1	Compression joint, USP Class VI, EPDM	9630070195
12	1	Cover, rotorcase	9630069665
	1	Cover, rotorcase, Electropolished	9630124209
13	4	Dome nut, rotorcase cover	9630029651
14	2	Retainer, seal	9630862405
15	6	Screw, seal retainer	9630021069
16	2	Lip seal, front	9630043050
17	2	Rotor, Stainless Steel, 5 bar 150°C, SX UP2/013	9630103470
	2	Rotor, Stainless Steel, 15 bar 150°C, SX UP2/013	9630105398
	2	Rotor, Stainless Steel, 7 bar 150°C, SX UP2/018	9630110785
	2	Rotor, Stainless Steel - Electropolished, 5 bar 150°C, SX UP2/013	9630856270
	2	Rotor, Stainless Steel - Electropolished, 15 bar 150°C, SX UP2/013	9630856271
	2	Rotor, Stainless Steel - Electropolished, 7 bar 150°C, SX UP2/018	9630857263
20	2	Cup seal, rotor retainer, USP Class VI, FPM	9630069429
	2	Cup seal, rotor retainer, USP Class VI, Silicone	9630069427
	2	Cup seal, rotor retainer, USP Class VI, EPDM	9630069424
22	2	Rotor retainer, SX UP2/013	9630069548
	2	Rotor retainer, SX UP2/018	9630070034
	2	Rotor retainer, Electropolished, SX UP2/013	9630124210
	2	Rotor retainer, Electropolished, SX UP2/018	9630857329
23	1	Key	9630023916
24	1	Shaft, drive	9630069668
25	1	Shaft, auxiliary	9630069666
26	2	Bearing, rear	9630069297
27	1	Spacer, shaft abutment	9630069959
30	2	Nut, bearing	9630029136
31	2	Bearing, front	9630069297
32	2	Spacer, bearing	9630069353
36	2	Timing gear	9630069305
38	2	Torque locking element	9630030115
39	2	Clamp plate	9630031407
40	12	Screw, clamp plate	9630024595
45	2	Drain plug	9630024417
46	1	Sight glass, standard (for ATEX pump see 'ATEX Parts')	9630032778
47	1	Filler plug, standard (for ATEX pump see 'ATEX Parts')	9630651688
48	2	Plug	9630104561
49	4	Blanking plug	9630087278
50	2	Gland guard, standard (for ATEX pump see 'ATEX Parts')	9630111576
51	4	Screw, gland guard	9630050533
53	4	Washer, gland guard	9630924711
54	1	Foot, vertical port	9630651710
56	1	Foot, horizontal port	9630069903
58	2	Screw, foot	9630074794
60	1	Tool, rotor retainer	9630070709



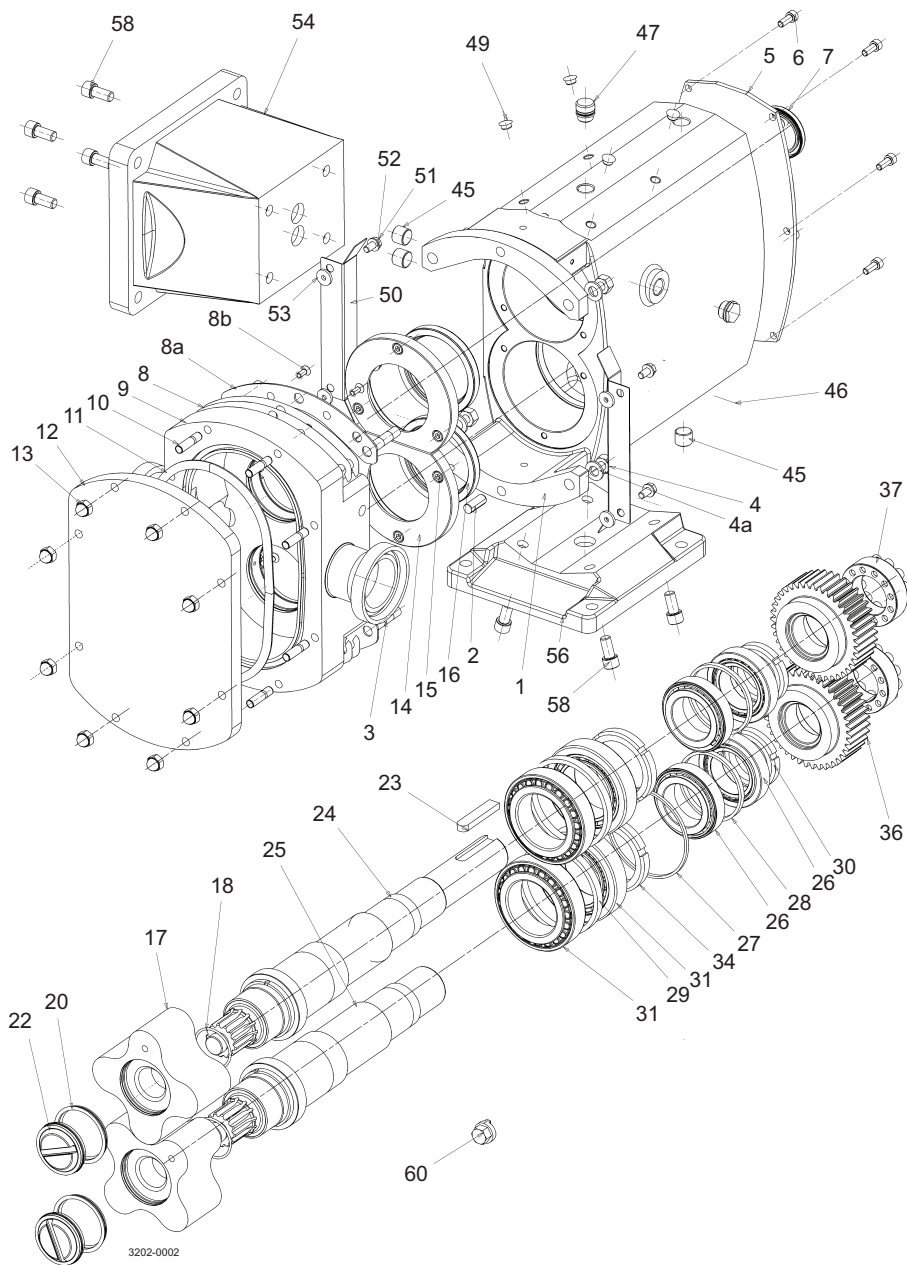
SX UltraPure 3 Pump Range

Pos	Qty	Denomination	Item No.
1	1	Gearcase	9630997612
2	2	Dowel	9630998450
3	4	Stud, rotorcase retention	9630052263
4	4	Nut, rotorcase retention	9630024051
4A	4	Washer, rotorcase retention	9630024233
5	1	Cover, gearcase	9630863117
6	6	Screw, gearcase cover	9630021069
7	1	Lip seal, rear	9630032808
8	1	Shim, standard (for ATEX pump see 'ATEX Parts') Polymex	9630034130
		set	
8A	2	Shim retainer	9630089542
8B	4	Screw, shim retainer	9630050533
9	1	Rotorcase, 2" (50mm) connections DIN11851, SX UP3/027	9630102167
	1	Rotorcase, 2" (50mm) connections SMS, SX UP3/027	9630102170
	1	Rotorcase, 2" (50mm) connections Tri-clamp, SX UP3/027	9630102171
	1	Rotorcase, 2" (50mm) connections - Electropolished Tri-clamp, SX UP3/027	9630854248
	1	Rotorcase, 2.1/2" (65mm) connections DIN11851, SX UP3/035	9630102172
	1	Rotorcase, 2.1/2" (65mm) connections SMS, SX UP3/035	9630102175
	1	Rotorcase, 2.1/2" (65mm) connections Tri-clamp, SX UP3/035	9630102176
	1	Rotorcase, 2.1/2" (65mm) connections - Electropolished Tri-clamp, SX UP3/035	9630857388
10	8	Stud, rotorcase/cover retention	9630027490
11	1	Compression joint, USP Class VI, FPM	9630070679
	1	Compression joint, USP Class VI, Silicone	9630069223
	1	Compression joint, USP Class VI, EPDM	9630069395
12	1	Cover, rotorcase	9630069707
	1	Cover, rotorcase, Electropolished	9630854255
13	8	Dome nut, rotorcase cover	9630029651
14	2	Retainer, seal	9630863116
15	6	Screw, seal retainer	9630021069
16	2	Lip seal, front	9630032798
17	2	Rotor, Stainless Steel 5 bar 150°C, SX UP3/027	9630124273
	2	Rotor, Stainless Steel 15 bar 150°C, SX UP3/027	9630102905
	2	Rotor, Stainless Steel 7 bar 150°C, SX UP3/035	9630113513
	2	Rotor, Stainless Steel - Electropolished 5 bar 150°C, SX UP3/027	9630126884
	2	Rotor, Stainless Steel - Electropolished 15 bar 150°C, SX UP3/027	9630855329
	2	Rotor, Stainless Steel - Electropolished 7 bar 150°C, SX UP3/035	9630857266
20	2	Cup seal, rotor retainer, USP Class VI, FPM	9630069430
	2	Cup seal, rotor retainer, USP Class VI, Silicone	9630069428
	2	Cup seal, rotor retainer, USP Class VI, EPDM	9630069425
22	2	Rotor retainer, SX UP3/027	9630069705
	2	Rotor retainer, SX UP3/035	9630070261
	2	Rotor retainer, Electropolished SX UP3/027	9630855861
	2	Rotor retainer, Electropolished SX UP3/035	9630857330
23	1	Key	9630031499
24	1	Shaft, drive	9630069745
25	1	Shaft, auxiliary	9630069743
26	2	Bearing, rear	9630029030
27	1	Spacer, shaft abutment	9630032683
30	2	Nut, bearing	9630029137
31	2	Bearing, front	9630029030
32	2	Spacer, bearing	9630029695
36	2	Timing gear	9630027688
38	4	Torque locking element	9630030273
39	2	Clamp plate	9630029175
40	12	Screw, clamp plate	9630024591
45	2	Drain plug	9630024417
46	1	Sight glass, standard (for ATEX pump see 'ATEX Parts')	9630032778
47	1	Filler plug, standard (for ATEX pump see 'ATEX Parts')	9630651688
48	2	Plug	9630104561
49	4	Blanking plug	9630087278
50	2	Gland guard, standard (for ATEX pump see 'ATEX Parts')	9630111577
51	4	Screw, gland guard	9630030332
52	4	Washer, gland guard	9630030121
53	4	Washer, gland guard	9630924711
54	1	Foot, vertical port	9630651711
56	1	Foot, horizontal port	9630070492
58	2	Screw, foot	9630074776
60	1	Tool, rotor retainer	9630070709



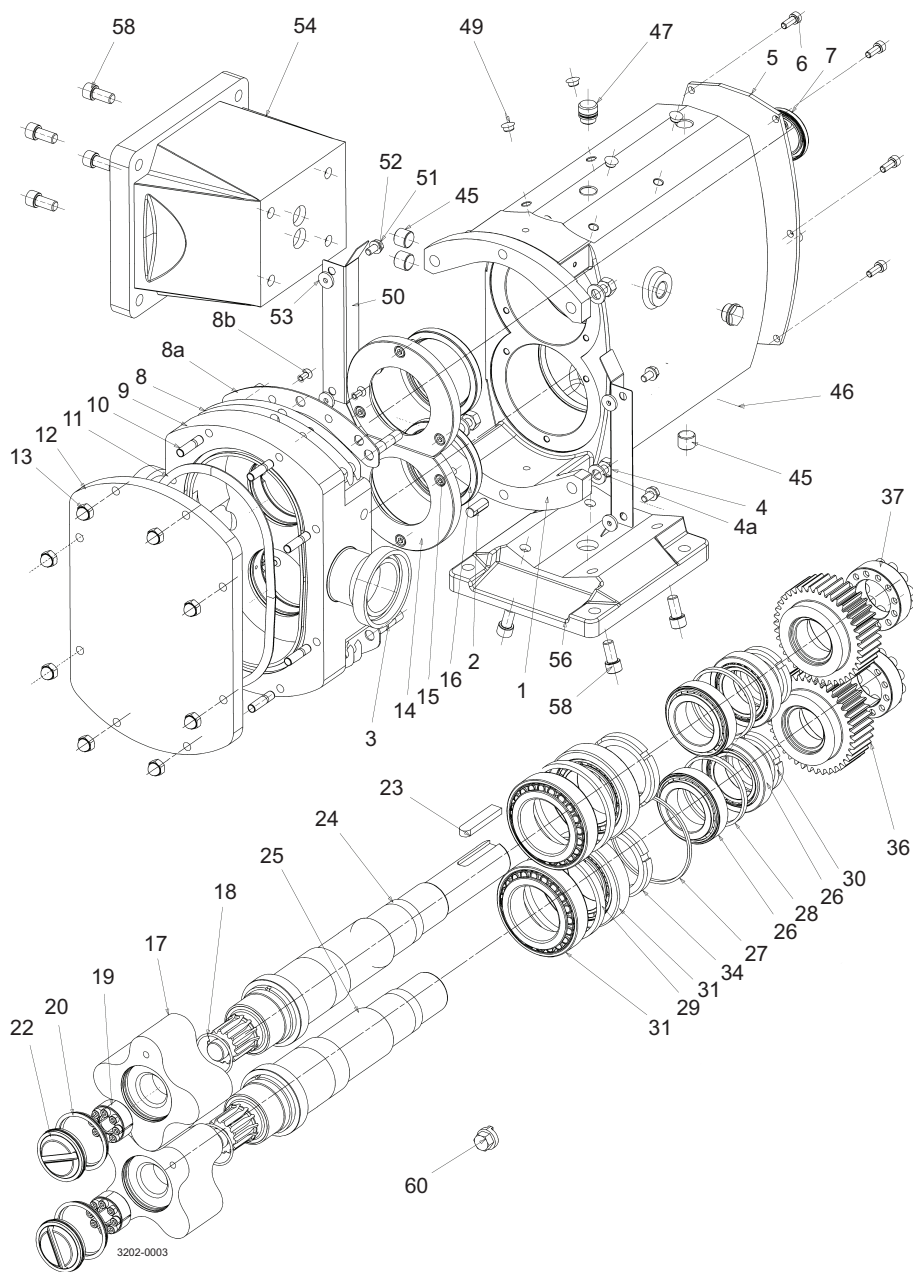
SX UltraPure 4 Pump Range

Pos	Qty	Denomination	Item No.
1	1	Gearcase	9630650044
2	2	Dowel	9630998450
3	4	Stud, rotorcase retention	9630052265
4	4	Nut, rotorcase retention	9630024053
4a	4	Washer, rotorcase retention	9630024236
5	1	Cover, gearcase	9630863239
6	6	Screw, gearcase cover	9630024635
7	1	Lip seal, rear	9630032809
8	1	Shim, standard (for ATEX pump see 'ATEX Parts') Polymex	9630033702
		set	
8a	2	Shim retainer	9630089543
8b	4	Screw, shim retainer	9630050533
9	1	Rotorcase, 2" (50mm) connections DIN11851, SX UP4/046	9630102177
	1	Rotorcase, 2" (50mm) connections SMS, SX UP4/046	9630102181
	1	Rotorcase, 2" (50mm) connections Tri-clamp, SX UP4/046	9630102182
	1	Rotorcase, 2" (50mm) connections - Electropolished Tri-clamp, SX UP4/046	9630102647
	1	Rotorcase, 2.1/2" (65mm) connections DIN11851, SX UP4/063	9630102183
	1	Rotorcase, 2.1/2" (65mm) connections SMS, SX UP4/063	9630102186
	1	Rotorcase, 2.1/2" (65mm) connections Tri-clamp, SX UP4/063	9630102187
	1	Rotorcase, 2.1/2" (65mm) connections - Electropolished Tri-clamp, SX UP4/063	9630857389
10	8	Stud, rotorcase/cover retention	9630019863
11	1	Compression joint, USP Class VI, FPM	9630070399
	1	Compression joint, USP Class VI, Silicone	9630070400
	1	Compression joint, USP Class VI, EPDM	9630070401
12	1	Cover, rotorcase	9630070403
	1	Cover, rotorcase, Electropolished	9630102649
13	8	Dome nut, rotorcase cover	9630029651
14	2	Retainer, seal	9630863331
15	6	Screw, seal retainer	9630021069
16	2	Lip seal, front	9630032800
17	2	Rotor, Stainless Steel 5 bar 150°C, SX UP4/046	9630111763
	2	Rotor, Stainless Steel 15 bar 150°C, SX UP4/046	9630124836
	2	Rotor, Stainless Steel 5 bar 150°C, SX UP4/063	9630125362
	2	Rotor, Stainless Steel 10 bar 150°C, SX UP4/063	9630110663
	2	Rotor, Stainless Steel - Electropolished 5 bar 150°C, SX UP4/046	9630857271
	2	Rotor, Stainless Steel - Electropolished 15 bar 150°C, SX UP4/046	9630124837
	2	Rotor, Stainless Steel - Electropolished 5 bar 150°C, SX UP4/063	9630857272
	2	Rotor, Stainless Steel - Electropolished 10 bar 150°C, SX UP4/063	9630857273
20	2	Cup seal, rotor retainer, USP Class VI, FPM	9630069423
	2	Cup seal, rotor retainer, USP Class VI, Silicone	9630069422
	2	Cup seal, rotor retainer, USP Class VI, EPDM	9630069421
22	2	Rotor retainer, SX UP4/046	9630070338
	2	Rotor retainer, SX UP4/063	9630070339
	2	Rotor retainer, Electropolished SX UP4/046	9630112103
	2	Rotor retainer, Electropolished SX UP4/063	9630857331
23	1	Key	9630023932
24	1	Shaft, drive	9630070376
25	1	Shaft, auxiliary	9630070374
26	4	Bearing, rear	9630029032
27	1	Spacer, shaft abutment	9630070443
28	2	Spacer, bearing rear	9630070381
29	2	Spacer, bearing front	9630027142
30	2	Nut, bearing rear	9630029138
31	4	Bearing, front	9630069300
34	2	Nut, bearing front	9630024100
36	2	Timing gear	9630069307
37	2	Torque locking assembly	9630024451
45	2	Drain plug	9630024417
46	1	Sight glass, standard (for ATEX pump see 'ATEX Parts')	9630032778
47	1	Filler plug, standard (for ATEX pump see 'ATEX Parts')	9630651688
48	2	Plug	9630104561
49	4	Blanking plug	9630089949
50	2	Gland guard, standard (for ATEX pump see 'ATEX Parts')	9630111562
51	4	Screw, gland guard	9630030332
52	4	Washer, gland guard	9630030121
53	4	Washer, gland guard	9630924711
54	1	Foot, vertical port	9630651712
56	1	Foot, horizontal port	9630070368
58	2	Screw, foot	9630074775
60	1	Tool, rotor retainer	9630070769



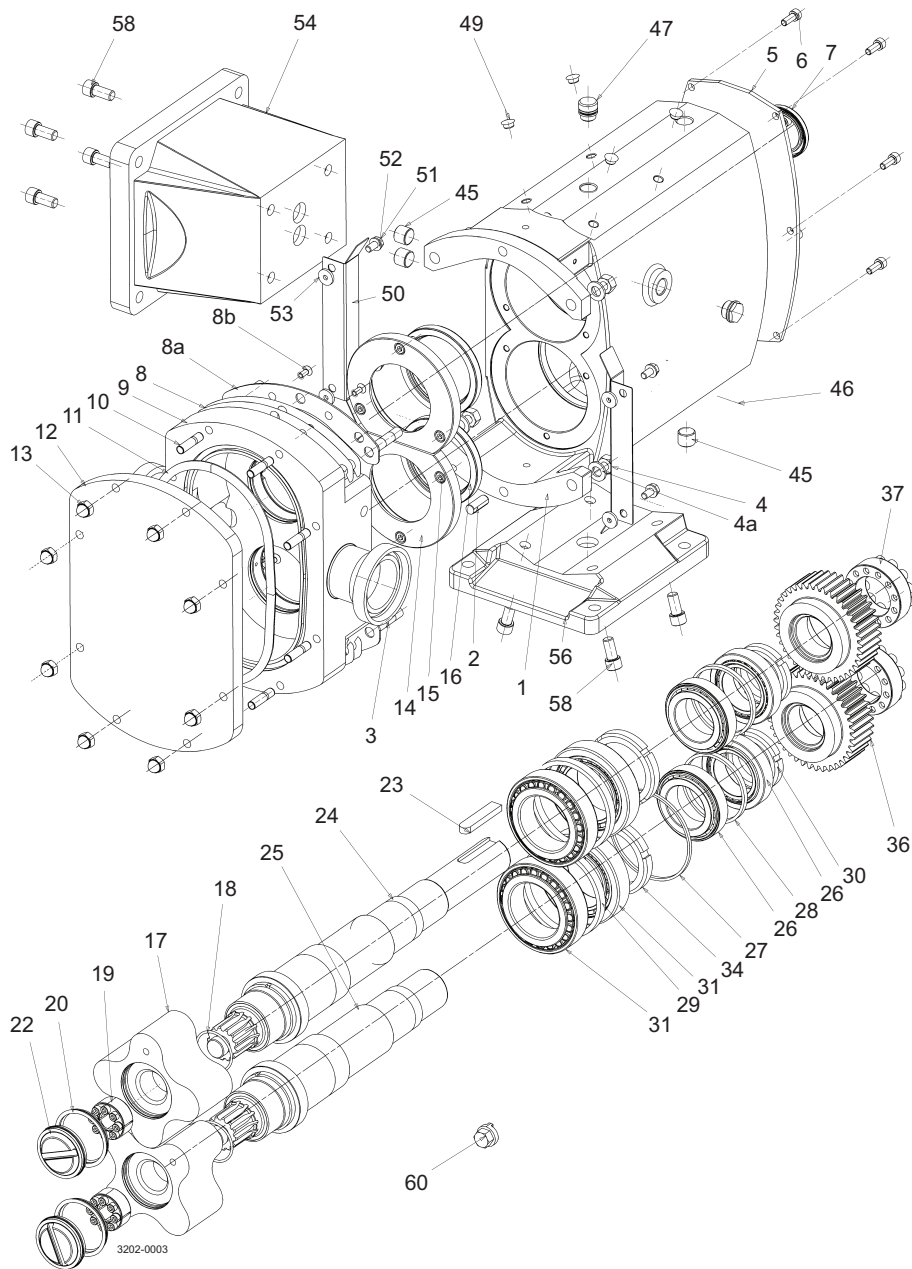
SX UltraPure 5 Pump Range

Pos	Qty	Denomination	Item No.
1	1	Gearcase	9630997614
2	2	Dowel	9630998450
3	4	Stud, rotorcase retention	9630052265
4	4	Nut, rotorcase retention	9630024053
4a	4	Washer, rotorcase retention	9630024236
5	1	Cover, gearcase	9630651242
6	5	Screw, gearcase cover	9630024635
7	1	Lip seal, rear	9630032810
8	1	Shim - standard, (for ATEX pump see 'ATEX Parts') Polymex	9630033860
		set	
8a	2	Shim retainer	9630089544
8b	4	Screw, shim retainer	9630050533
9	1	Rotorcase, 2.1/2" (65mm) connections DIN11851, SX UP5/082	9630102188
	1	Rotorcase, 2.1/2" (65mm) connections SMS, SX UP5/082	9630102191
	1	Rotorcase, 2.1/2" (65mm) connections Tri-clamp, SX UP5/082	9630102192
	1	Rotorcase, 2.1/2" (65mm) connections - Electropolished Tri-clamp, SX UP5/082	9630857390
	1	Rotorcase, 3" (80mm) connections DIN11851, SX UP5/115	9630102193
	1	Rotorcase, 3" (80mm) connections SMS, SX UP5/115	9630102196
	1	Rotorcase, 3" (80mm) connections Tri-clamp, SX UP5/115	9630102124
	1	Rotorcase, 3" (80mm) connections - Electropolished Tri-clamp SX UP5/115	9630854547
10	8	Stud, rotorcase/cover retention	9630019863
11	1	Compression joint, USP Class VI, FPM	9630071979
	1	Compression joint, USP Class VI, Silicone	9630071980
	1	Compression joint, USP Class VI, EPDM	9630071981
12	1	Cover, rotorcase	9630072005
	1	Cover, rotorcase, Electropolished	9630854549
13	8	Dome nut, rotorcase cover	9630029651
14	2	Retainer, seal	9630863346
15	6	Screw, seal retainer	9630024635
16	2	Lip seal, front	9630032802
17	2	Rotor, Stainless Steel 15 bar 150°C, SX UP5/082	9630112549
	2	Rotor, Stainless Steel 10 bar 150°C, SX UP5/115	9630099553
	2	Rotor, Stainless Steel - Electropolished 15 bar 150°C, SX UP5/082	9630857274
	2	Rotor, Stainless Steel - Electropolished 10 bar 150°C, SX UP5/115	9630854548
20	2	Cup seal, rotor retainer, USP Class VI, FPM	9630069432
	2	Cup seal, rotor retainer, USP Class VI, Silicone	9630069431
	2	Cup seal, rotor retainer, USP Class VI, EPDM	9630069426
22	2	Rotor retainer, SX UP5/082	9630073103
	2	Rotor retainer, SX UP5/115	9630073104
	2	Rotor retainer, Electropolished SX UP5/082	9630857309
	2	Rotor retainer, Electropolished SX UP5/115	9630857332
23	1	Key	9630023940
24	1	Shaft, drive	9630073081
25	1	Shaft, auxiliary	9630073080
26	4	Bearing, rear	9630029034
27	1	Spacer, shaft abutment	9630035209
28	2	Spacer, bearing drive end	9630031175
29	2	Spacer, bearing gland end	9630031133
30	2	Nut, bearing rear	9630024100
31	4	Bearing, front	9630029036
34	2	Nut, bearing front	9630029139
36	2	Timing gear	9630031162
37	2	Torque locking assembly	9630024455
45	7	Drain plug	9631045610
46	1	Sight glass, standard (for ATEX pump see 'ATEX Parts')	9630032778
47	1	Filler plug, standard (for ATEX pump see 'ATEX Parts')	9630651688
50	2	Gland guard, standard (for ATEX pump see 'ATEX Parts')	9630666813
51	4	Screw, gland guard	9630030332
52	4	Washer, gland guard	9630030121
53	4	Washer, gland guard	9630924711
54	1	Foot, vertical port	9630070568
56	1	Foot, horizontal port	9630070567
58	4	Bolt, foot	9630038966
60	1	Tool, rotor retainer	9630070769



SX UltraPure 6 Pump Range

Pos	Qty	Denomination	Item No.
1	1	Gearcase	9630997615
2	2	Dowel	9630998451
3	4	Stud, rotorcase retention	9630052267
4	4	Nut, rotorcase retention	9630024055
4A	4	Washer, rotorcase retention	9630024238
5	1	Cover, gearcase	9630651243
6	5	Screw, gearcase cover	9630024635
7	1	Lip seal, rear	9630032798
8	1	Shim, standard (for ATEX pump see 'ATEX Parts') Polymex	9630033391
		set	
8a	2	Shim retainer	9630051782
8b	4	Screw, shim retainer	9630050533
9	1	Rotorcase, 3" (80mm) connections DIN11851, SX UP6/140	9630102197
	1	Rotorcase, 3" (80mm) connections SMS, SX UP6/140	9630102200
	1	Rotorcase, 3" (80mm) connections Tri-clamp (3.1), SX UP6/140	9630102201
	1	Rotorcase, 3" (80mm)connections - Electropolished Tri-clamp (3.1), SX UP6/140	9630104827
	1	Rotorcase, 4" (100mm) connections DIN11851, SX UP6/190	9630102202
	1	Rotorcase, 4" (100mm) connections SMS, SX UP6/190	9630102205
	1	Rotorcase, 4" (100mm) connections Tri-clamp (3.1), SX UP6/190	9630102149
	1	Rotorcase, 4" (100mm) connections - Electropolished Tri-clamp (3.1), SX UP6/190	9630857391
10	8	Stud, rotorcase/cover retention	9630030574
11	1	Compression joint, USP Class VI, FPM	9630071982
	1	Compression joint, USP Class VI, Silicone	9630071983
	1	Compression joint, USP Class VI, EPDM	9630071984
12	1	Cover, rotorcase	9630072006
	1	Cover, rotorcase, Electropolished	9630111950
13	8	Dome nut, rotorcase cover	9630024088
14	2	Retainer, seal	9630863347
15	6	Screw, seal retainer	9630024635
16	2	Lip seal, front	9630032803
17	2	Rotor, Stainless Steel 15 bar 150°C, SX UP6/140	9630102913
	2	Rotor, Stainless Steel 10 bar 150°C, SX UP6/190	9630856717
	2	Rotor, Stainless Steel - Electropolished 15 bar 150°C, SX UP6/140	9630112415
	2	Rotor, Stainless Steel - Electropolished 10 bar 150°C, SX UP6/190	9630856993
19	2	Torque locking assembly	9630938853
20	2	Cup seal, rotor retainer, USP Class VI, FPM	9630069861
	2	Cup seal, rotor retainer, USP Class VI, Silicone	9630069862
	2	Cup seal, rotor retainer, USP Class VI, EPDM	9630069858
22	2	Rotor retainer	9630073101
	2	Rotor retainer, Electropolished	9630111951
23	1	Key	9630023940
24	1	Shaft, drive, SX UP6/140	9630073057
	1	Shaft, drive, SX UP6/190	9630073058
25	1	Shaft, auxiliary, SX UP6/140	9630073056
	1	Shaft, auxiliary, SX UP6/190	9630073059
26	4	Bearing, rear	9630029036
27	1	Spacer, shaft abutment	9630034661
28	2	Spacer, bearing rear	9630031133
29	2	Spacer, bearing front	9630031135
30	2	Nut, bearing rear	9630029139
31	4	Bearing, front	9630029038
34	2	Nut, bearing front	9630029140
36	2	Timing gear	9630030718
37	2	Torque locking assembly	9630024455
45	7	Drain plug	9630101561
46	1	Sight glass, standard (for ATEX pump see 'ATEX Parts')	9630032778
47	1	Filler plug, standard (for ATEX pump see 'ATEX Parts')	9630651688
50	2	Gland guard, standard (for ATEX pump see 'ATEX Parts')	9630666814
51	4	Screw, gland guard	9630030332
52	4	Washer, gland guard	9630030121
53	4	Washer, gland guard	9630924711
54	1	Foot, vertical port	9630070572
56	1	Foot, horizontal port	9630070571
58	4	Bolt, foot	9630038966
60	1	Tool, rotor retainer	9630070769
	1	Tool, rotor TLA clamp (not shown) complete:	9630087290
	1	Comprising of: Clamp ring	9630855562
	1	Comprising of: Clamp nut	9630855565



SX UltraPure 7 Pump Range

Pos	Qty	Denomination	Item No.
1	1	Gearcase	9630070603
2	2	Dowel	9630023467
3	4	Stud, rotorcase retention	9630024029
4	4	Nut, rotorcase retention	9630024055
4a	4	Washer, rotorcase retention	9630024238
5	1	Cover, gearcase	9630668405
6	6	Screw, gearcase cover	9630024635
7	1	Lip seal, rear	9630054369
8	1	Shim, standard (for ATEX pump see 'ATEX Parts') Polymex	9630072392
		set	
8a	2	Shim retainer	9630072385
8b	4	Screw, shim retainer	9630050533
9	1	Rotorcase, 4" (100mm) connections DIN11851, SX UP7/250 ...	9630102206
	1	Rotorcase, 4" (100mm) connections SMS, SX UP7/250	9630102209
	1	Rotorcase, 4" (100mm) connections Tri-clamp, SX UP7/250	9630102150
	1	Rotorcase, 4" (100mm)connections - Electropolished Tri-clamp (3.1), SX UP7/250	9630857392
	1	Rotorcase, 6" (150mm) connections DIN11851, SX UP7/380 ...	9630085942
	1	Rotorcase, 6" (150mm) connections Tri-clamp, SX UP7/380	9630086312
	1	Rotorcase, 6" (150mm) connections - Electropolished Tri-clamp,SX UP7/380	9630857393
10	8	Stud, rotorcase/cover retention	9630030574
11	1	Compression joint, USP Class VI, FPM	9630071985
	1	Compression joint, USP Class VI, Silicone	9630071986
	1	Compression joint, USP Class VI, EPDM	9630071987
12	1	Cover, rotorcase	9630072007
	1	Cover, rotorcase, Electropolished	9630857259
13	8	Dome nut, rotorcase cover	9630024088
14	2	Retainer, seal	9630073028
15	6	Screw, seal retainer	9630060520
16	2	Lip seal, front	9630074130
17	2	Rotor, Stainless Steel 15 bar 150°C, SX UP7/250	9630126267
	2	Rotor, Stainless Steel 10 bar 150°C, SX UP7/380	9630102924
	2	Rotor, Stainless Steel - Electropolished 15 bar 150°C, SX UP7/250	9630857276
	2	Rotor, Stainless Steel - Electropolished 10 bar 150°C, SX UP7/380	9630857277
19	2	Torque locking assembly	9630938853
20	2	Cup seal, rotor retainer, USP Class VI, FPM	9630069861
	2	Cup seal, rotor retainer, USP Class VI, Silicone	9630069862
	2	Cup seal, rotor retainer, USP Class VI,EPDM	9630069858
22	2	Rotor retainer	9630073101
	2	Rotor retainer, Electropolished	9630111951
23	1	Key	9630074134
24	1	Shaft, drive, SX UP7/250	9630073020
	1	Shaft, drive, SX UP7/380	9630073026
25	1	Shaft, auxiliary, SX UP7/250	9630073021
	1	Shaft, auxiliary, SX UP7/380	9630073027
26	4	Bearing, rear	9630029038
27	1	Spacer, shaft abutment	9630072526
28	2	Spacer, bearing rear	9630031135
29	2	Spacer, bearing front	9630072283
30	2	Nut, bearing rear	9630029140
31	4	Bearing, front	9630070846
34	2	Nut, bearing front	9630025231
36	2	Timing gear	9630071347
37	2	Torque locking assembly	9630025239
45	7	Drain plug	9630023548
46	1	Sight glass, standard (for ATEX pump see 'ATEX Parts')	9630032778
47	1	Filler plug, standard (for ATEX pump see 'ATEX Parts')	9630018599
50	2	Gland guard, standard (for ATEX pump see 'ATEX Parts')	9630668680
51	4	Screw, gland guard	9630030332
52	4	Washer, gland guard	9630030121
53	4	Washer, gland guard	9630924711
54	1	Foot, vertical port	9630070576
56	1	Foot, horizontal port	9630070575
58	4	Bolt, foot	9630026609
60	1	Tool, rotor retainer	9630070769
	1	Tool, rotor TLA clamp (not shown) complete:	9630087290
	1	Comprising of: Clamp ring	9630855562
	1	Comprising of: Clamp nut	9630855565

8 SX UltraPure 1-7, Cover/Rotor Seal Kits

Pos	Qty	Denomination	SX UP1 Item No.	SX UP2 Item No.
		Cover / Rotor Seal Kit, EPDM USP Class VI	9630110858	9630110862
		Cover / Rotor Seal Kit, FPM USP Class VI	9630110860	9630110865
		Cover / Rotor Seal Kit, Silicone USP Class VI	9630110861	9630110866

Pos	Qty	Denomination	SX UP3 Item No.	SX UP4 Item No.
		Cover / Rotor Seal Kit, EPDM USP Class VI	9630110867	9630110870
		Cover / Rotor Seal Kit, FPM USP Class VI	9630110868	9630110871
		Cover / Rotor Seal Kit, Silicone USP Class VI	9630110869	9630110872

Pos	Qty	Denomination	SX UP5 Item No.	SX UP6 Item No.
		Cover / Rotor Seal Kit, EPDM USP Class VI	9630110873	9630110876
		Cover / Rotor Seal Kit, FPM USP Class VI	9630110874	9630110877
		Cover / Rotor Seal Kit, Silicone USP Class VI	9630110875	9630110878

Pos	Qty	Denomination	SX UP7 Item No.
		Cover / Rotor Seal Kit, EPDM USP Class VI	9630110880
		Cover / Rotor Seal Kit, FPM USP Class VI	9630110881
		Cover / Rotor Seal Kit, Silicone USP Class VI	9630110882

9 Service Kits (R00 Single Mechanical Seals) - SX UltraPure Pump Range

Each kit comprises of 1 off Cover/Rotor Sealing Kit and 2 off complete Mechanical Seals for one pump.

Pos	Qty Denomination	SX UP1 Item No.	SX UP2 Item No.
	Rotary Seal/Static Seal Ring, Silicon Carbide/Silicon Carbide, EPDM USP Class VI	9630857178	9630857179
	Rotary Seal/Static Seal Ring, Silicon Carbide/Silicon Carbide, FPM USP Class VI	9630880606	9630879061
	Rotary Seal/Static Seal Ring, Silicon Carbide/Silicon Carbide, Silicone USP Class VI	9630950766	9630925619

Pos	Qty Denomination	SX UP3 Item No.	SX UP4 Item No.
	Rotary Seal/Static Seal Ring, Silicon Carbide/Silicon Carbide, EPDM USP Class VI	9630857180	9630857181
	Rotary Seal/Static Seal Ring, Silicon Carbide/Silicon Carbide, FPM USP Class VI	9630879729	9630866094
	Rotary Seal/Static Seal Ring, Silicon Carbide/Silicon Carbide, Silicone USP Class VI	9630939242	9630919921

Pos	Qty Denomination	SX UP5 Item No.	SX UP6 Item No.
	Rotary Seal/Static Seal Ring, Silicon Carbide/Silicon Carbide, EPDM USP Class VI	9630857182	9630857183
	Rotary Seal/Static Seal Ring, Silicon Carbide/Silicon Carbide, FPM USP Class VI	9630881870	9630866095
	Rotary Seal/Static Seal Ring, Silicon Carbide/Silicon Carbide, Silicone USP Class VI	9630923899	9630950767

Pos	Qty Denomination	SX UP7 Item No.
	Rotary Seal/Static Seal Ring, Silicon Carbide/Silicon Carbide, EPDM USP Class VI	9630857184
	Rotary Seal/Static Seal Ring, Silicon Carbide/Silicon Carbide, FPM USP Class VI	9630879211
	Rotary Seal/Static Seal Ring, Silicon Carbide/Silicon Carbide, Silicone USP Class VI	9630941206

Note: Q-Doc certification is standard with SX UltraPure Service Kits

10 Service Kits (R00 Single Flushed Mechanical Seals) - SX UltraPure Pump Range

Pos	Qty	Denomination	SX UP1 Item No.	SX UP2 Item No.
		Rotary Seal/Static Seal Ring, Silicon Carbide/Silicon Carbide, EPDM USP Class VI	9630950871	9630950893
		Rotary Seal/Static Seal Ring, Silicon Carbide/Silicon Carbide, FPM USP Class VI	9630950872	9630921071
		Rotary Seal/Static Seal Ring, Silicon Carbide/Silicon Carbide, Silicone USP Class VI	9630950873	9630950894

Pos	Qty	Denomination	SX UP3 Item No.	SX UP4 Item No.
		Rotary Seal/Static Seal Ring, Silicon Carbide/Silicon Carbide, EPDM USP Class VI	9630950919	9630950946
		Rotary Seal/Static Seal Ring, Silicon Carbide/Silicon Carbide, FPM USP Class VI	9630950920	9630921067
		Rotary Seal/Static Seal Ring, Silicon Carbide/Silicon Carbide, Silicone USP Class VI	9630950921	9630950947

Note 1: Q-Doc certification is standard with SX UltraPure Service Kits

11 Service Kits (R00 Double Mechanical Seals) SX UP1-2 Pump Models

The squad ring is replaced by a conventional 'o' ring if the pressure between the seal flush media and pump head discharge pressure is likely to exceed 5 bar.

Pos	Qty	Denomination	< 5 bar SX UP1 Item No.	> 5 bar SX UP1 Item No.
-----	-----	--------------	-------------------------------	-------------------------------

Each kit comprises of 1 off Cover/Rotor Seal Kit and 2 off complete Mechanical Seals for one pump.

		Inboard Seal: Rotary Seal/Static Seal Ring, Silicon Carbide/Silicon Carbide, Outboard Seal: Rotary Seal/Static Seal Ring, Carbon/Silicone Carbide, EPDM	9630950876	9630950882
		Inboard Seal: Rotary Seal/Static Seal Ring, Silicon Carbide/Silicon Carbide, Outboard Seal: Rotary Seal/Static Seal Ring, Carbon/Silicone Carbide, FPM	9630950877	9630950883
		Inboard Seal: Rotary Seal/Static Seal Ring, Silicon Carbide/Silicon Carbide, Outboard Seal: Rotary Seal/Static Seal Ring, Carbon/Silicone Carbide, Silicone	9630950878	9630950884

Pos	Qty	Denomination	< 5 bar SX UP2 Item No.	> 5 bar SX UP2 Item No.
-----	-----	--------------	-------------------------------	-------------------------------

		Inboard Seal: Rotary Seal/Static Seal Ring, Silicon Carbide/Silicon Carbide, Outboard Seal: Rotary Seal/Static Seal Ring, Carbon/Silicone Carbide, EPDM	9630950898	9630950904
		Inboard Seal: Rotary Seal/Static Seal Ring, Silicon Carbide/Silicon Carbide, Outboard Seal: Rotary Seal/Static Seal Ring, Carbon/Silicone Carbide, FPM	9630950899	9630950905
		Inboard Seal: Rotary Seal/Static Seal Ring, Silicon Carbide/Silicon Carbide, Outboard Seal: Rotary Seal/Static Seal Ring, Carbon/Silicone Carbide, Silicone	9630950900	9630950906

12 Service Kits (R00 Double Mechanical Seals) SX UP3-4 Pump Models

Pos	Qty	Denomination	< 5 bar	> 5 bar
			SX UP3	SX UP3
			Item No.	Item No.
		Inboard Seal: Rotary Seal/Static Seal Ring, Silicon Carbide/Silicon Carbide, Outboard Seal: Rotary Seal/Static Seal Ring, Carbon/Silicone Carbide, EPDM	9630950925	9630950931
		Inboard Seal: Rotary Seal/Static Seal Ring, Silicon Carbide/Silicon Carbide, Outboard Seal: Rotary Seal/Static Seal Ring, Carbon/Silicone Carbide, FPM	9630950926	9630950932
		Inboard Seal: Rotary Seal/Static Seal Ring, Silicon Carbide/Silicon Carbide, Outboard Seal: Rotary Seal/Static Seal Ring, Carbon/Silicone Carbide, Silicone	9630950927	9630950933

Pos	Qty	Denomination	< 5 bar	> 5 bar
			SX UP4	SX UP4
			Item No.	Item No.
		Inboard Seal: Rotary Seal/Static Seal Ring, Silicon Carbide/Silicon Carbide, Outboard Seal: Rotary Seal/Static Seal Ring, Carbon/Silicone Carbide, EPDM	9630950951	9630950957
		Inboard Seal: Rotary Seal/Static Seal Ring, Silicon Carbide/Silicon Carbide, Outboard Seal: Rotary Seal/Static Seal Ring, Carbon/Silicone Carbide, FPM	9630950952	9630950958
		Inboard Seal: Rotary Seal/Static Seal Ring, Silicon Carbide/Silicon Carbide, Outboard Seal: Rotary Seal/Static Seal Ring, Carbon/Silicone Carbide, Silicone	9630950953	9630950959

Note: Q-Doc certification is standard with SX UltraPure Service Kits

13 Service Kits (R00 Double Mechanical Seals) SX UP5-6 Pump Models

Pos	Qty	Denomination	< 5 bar	> 5 bar
			SX UP5 Item No.	SX UP5 Item No.

Each kit comprises of 1 off Cover/Rotor Seal Kit and 2 off complete Mechanical Seals for one pump.

The squad ring is replaced by a conventional 'o' ring if the pressure between the seal flush media and pump head discharge pressure is likely to exceed 5 bar.

Inboard Seal, Rotary Seal/Static Seal Ring, Silicon Carbide/Silicon Carbide, Outboard Seal, Rotary Seal/Static Seal Ring, Carbon/Silicone Carbide, EPDM	9630950971	9630945596
Inboard Seal, Rotary Seal/Static Seal Ring, Silicon Carbide/Silicon Carbide, Outboard Seal, Rotary Seal/Static Seal Ring, Carbon/Silicone Carbide, FPM	9630950972	9630950977
Inboard Seal, Rotary Seal/Static Seal Ring, Silicon Carbide/Silicon Carbide, Outboard Seal, Rotary Seal/Static Seal Ring, Carbon/Silicone Carbide, Silicone	9630950973	9630950978

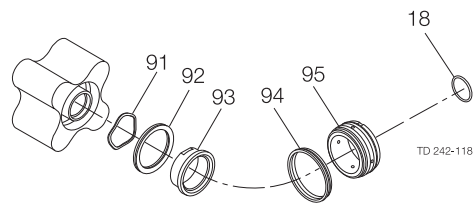
Pos	Qty	Denomination	< 5 bar	> 5 bar
			SX UP6 Item No.	SX UP6 Item No.

Inboard Seal, Rotary Seal/Static Seal Ring, Silicon Carbide/Silicon Carbide, Outboard Seal, Rotary Seal/Static Seal Ring, Carbon/Silicone Carbide, EPDM	9630950994	9630951000
Inboard Seal, Rotary Seal/Static Seal Ring, Silicon Carbide/Silicon Carbide, Outboard Seal, Rotary Seal/Static Seal Ring, Carbon/Silicone Carbide, FPM	9630950995	9630951001
Inboard Seal, Rotary Seal/Static Seal Ring, Silicon Carbide/Silicon Carbide, Outboard Seal, Rotary Seal/Static Seal Ring, Carbon/Silicone Carbide, Silicone	9630950996	9630951002

14 Service Kits (R00 Double Mechanical Seals) SX UP7 Pump Models

Pos	Qty	Denomination	< 5 bar SX UP7 Item No.	> 5 bar SX UP67 Item No.
		Inboard Seal, Rotary Seal/Static Seal Ring, Silicon Carbide/Silicon Carbide, Outboard Seal, Rotary Seal/Static Seal Ring, Carbon/Silicone Carbide, EPDM	9630951016	9630951022
		Inboard Seal, Rotary Seal/Static Seal Ring, Silicon Carbide/Silicon Carbide, Outboard Seal, Rotary Seal/Static Seal Ring, Carbon/Silicone Carbide, FPM	9630951017	9630951023
		Inboard Seal, Rotary Seal/Static Seal Ring, Silicon Carbide/Silicon Carbide, Outboard Seal, Rotary Seal/Static Seal Ring, Carbon/Silicone Carbide, Silicone	9630951018	9630951024

Note: Q-Doc certification is standard with SX UltraPure Service Kits

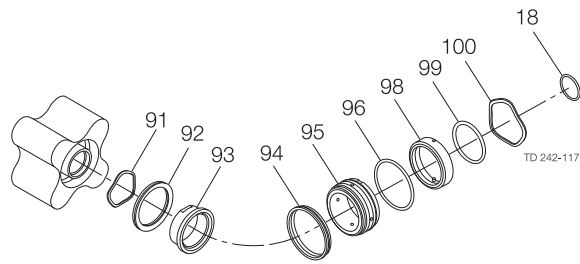


SX UltraPure R00 Single Mechanical Seals (Complete)

2 seals per pump. It is recommended to replace both sets of seals when wear dictates seal replacement

Pos	Qty	Denomination	SX UP1 Item No.	SX UP2 Item No.
		Rotary Seal/Static Seal Ring, Silicon Carbide/Silicon Carbide, EPDM USP Class VI	9630088483	9630088489
		Rotary Seal/Static Seal Ring, Silicon Carbide/Silicon Carbide, FPM USP Class VI	9630088485	9630088488
		Rotary Seal/Static Seal Ring, Silicon Carbide/Silicon Carbide, Silicone USP Class VI	9630857712	9630857714
Pos	Qty	Denomination	SX UP3 Item No.	SX UP4 Item No.
		Rotary Seal Stationary Seal Ring, Silicon Carbide/Silicon Carbide, EPDM USP Class VI	9630088209	9630088497
		Rotary Seal/Stationary Seal Ring, Silicon Carbide/Silicon Carbide, FPM USP Class VI	9630088125	9630076413
		Rotary Seal/Stationary Seal Ring, Silicon Carbide/Silicon Carbide, Silicone Class VI	9630858778	9630856568
Pos	Qty	Denomination	SX UP5 Item No.	SX UP6 Item No.
		Rotary Seal/Static Seal Ring, Silicon Carbide /Silicon Carbide, EPDM USP Class VI	9630087237	9630088506
		Rotary Seal/Static Seal Ring, Silicon Carbide/Silicon Carbide, FPM USP Class VI	9630088500	9630088505
		Rotary Seal/Static Seal Ring, Silicon Carbide/Silicon Carbide, Silicone Class VI	9630858784	9630858786
Pos	Qty	Denomination	SX UP7 Item No.	
		Rotary Seal/Static Seal Ring, Silicon Carbide/Silicon Carbide, EPDM USP Class VI	9630088512	
		Rotary Seal/Static Seal Ring, Silicon Carbide/Silicon Carbide, FPM USP Class VI	9630088511	
		Rotary Seal/Static Seal Ring, Silicon Carbide/Silicon Carbide, Silicone Class VI	9630101627	

Note: Q-Doc certification needs to be requested by order for mechanical seals

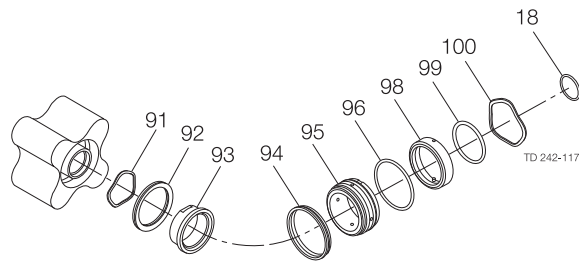


SX UltraPure R00 Single Flushed Mechanical Seals (Complete)

2 seals per pump. It is recommended to replace both sets of seals when wear dictates seal replacement

Pos	Qty	Denomination	SX UP1 Item No.	SX UP2 Item No.
		Rotary Seal/Stationary Seal Ring, Silicon Carbide/Silicon Carbide, EPDM USP Class VI	9630125198	9630111133
		Rotary Seal/Stationary Seal Ring, Silicon Carbide/Silicon Carbide, FPM USP Class VI	9630112575	9630102419
		Rotary Seal/Stationary Seal Ring, Silicon Carbide/Silicon Carbide, Silicone USP Class VI	9630941613	9630941614
Pos	Qty	Denomination	SX UP3 Item No.	SX UP4 Item No.
		Rotary Seal/Stationary Seal Ring, Silicon Carbide/Silicon Carbide, EPDM USP Class VI	9630088892	9630113647
		Rotary Seal/Stationary Seal Ring, Silicon Carbide/Silicon Carbide, FPM USP Class VI	9630127023	9630113652
		Rotary Seal/Stationary Seal Ring, Silicon Carbide/Silicon Carbide, Silicone USP Class VI	9630924902	9630941615

Note 1: Q-Doc certification needs to be requested by order for mechanical seals



R00 Double Mechanical Seals (Complete) - SX UltraPure 1-3 Pump Range

2 seals per pump. It is recommended to replace both sets of seals when wear dictates seal replacement.

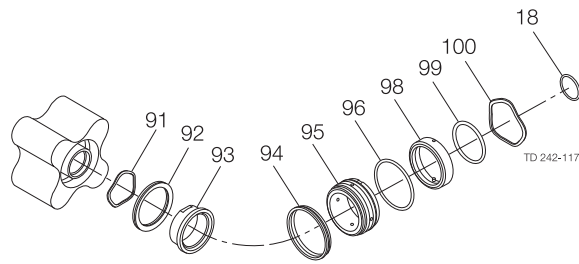
The squad ring is replaced by a conventional 'o' ring if the pressure between the seal flush media and pump head discharge pressure is likely to exceed 5 bar.

Pos	Qty	Denomination	< 5 bar SX UP1 Item No.	> 5 bar SX UP1 Item No.
		Rotary Seal/Static Seal Ring. Inboard Seal: Silicon Carbide/Silicon Carbide. Outboard Seal: Carbon/Stainless Steel, EPDM	9630092953	9630950730
		Rotary Seal/Static Seal Ring. Inboard Seal: Silicon Carbide/Silicon Carbide. Outboard Seal: Carbon/Stainless Steel, FPM	9630950726	9630939858
		Rotary Seal/Static Seal Ring. Inboard Seal: Silicon Carbide/Silicon Carbide. Outboard Seal: Carbon/Stainless Steel, Silicone	9630950727	9630950731

Pos	Qty	Denomination	< 5 bar SX UP2 Item No.	> 5 bar SX UP2 Item No.
		Rotary Seal/Static Seal Ring. Inboard Seal: Silicon Carbide/Silicon Carbide. Outboard Seal: Carbon/Stainless Steel, EPDM	9630864558	9630950736
		Rotary Seal/Static Seal Ring. Inboard Seal: Silicon Carbide/Silicon Carbide. Outboard Seal: Carbon/Stainless Steel, FPM	9630864012	9630929117
		Rotary Seal/Static Seal Ring. Inboard Seal: Silicon Carbide/Silicon Carbide. Outboard Seal: Carbon/Stainless Steel, Silicone	9630950733	9630950737

Pos	Qty	Denomination	< 5 bar SX UP3 Item No.	> 5 bar SX UP3 Item No.
		Rotary Seal/Static Seal Ring. Inboard Seal: Silicon Carbide/Silicon Carbide. Outboard Seal: Carbon/Stainless Steel, EPDM	9630112225	9630950741
		Rotary Seal/Static Seal Ring. Inboard Seal: Silicon Carbide/Silicon Carbide. Outboard Seal: Carbon/Stainless Steel, FPM	9630863999	9630938517
		Rotary Seal/Static Seal Ring. Inboard Seal: Silicon Carbide/Silicon Carbide. Outboard Seal: Carbon/Stainless Steel, Silicone	9630932856	9630950742

Note: Q-Doc certification needs to be requested by order for mechanical seals



R00 Double Mechanical Seals (Complete) - SX UltraPure 4-6 Pump Models

2 seals per pump. It is recommended to replace both sets of seals when wear dictates seal replacement.

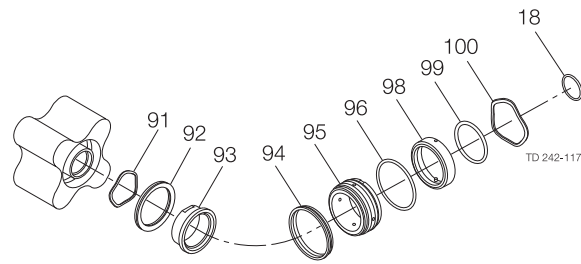
The squad ring is replaced by a conventional 'o' ring if the pressure between the seal flush media and pump head discharge pressure is likely to exceed 5 bar.

Pos	Qty	Denomination	< 5 bar SX UP4 Item No.	> 5 bar SX UP4 Item No.
		Rotary Seal/Static Seal Ring. Inboard Seal: Carbon/Silicon Carbide. Outboard Seal: Carbon/Silicon Carbide, EPDM	9630087511	9630092624
		Rotary Seal/Static Seal Ring. Inboard Seal: Carbon/Silicon Carbide. Outboard Seal: Carbon/Silicon Carbide, FPM	9630919138	9630855585
		Rotary Seal/Static Seal Ring. Inboard Seal: Carbon/Silicon Carbide. Outboard Seal: Carbon/Silicon Carbide, Silicone	9630932857	9630950744

Pos	Qty	Denomination	< 5 bar SX UP5 Item No.	> 5 bar SX UP5 Item No.
		Rotary Seal/Static Seal Ring. Inboard Seal: Carbon/Silicon Carbide. Outboard Seal: Carbon/Silicon Carbide, EPDM	9630921032	9630921033
		Rotary Seal/Static Seal Ring. Inboard Seal: Carbon/Silicon Carbide. Outboard Seal: Carbon/Silicon Carbide, FPM	9630950749	9630942465
		Rotary Seal/Static Seal Ring. Inboard Seal: Carbon/Silicon Carbide. Outboard Seal: Carbon/Silicon Carbide, MVQ	9630950750	9630950751

Pos	Qty	Denomination	< 5 bar SX UP6 Item No.	> 5 bar SX UP6 Item No.
		Rotary Seal/Static Seal Ring. Inboard Seal: Carbon/Silicon Carbide. Outboard Seal: Carbon/Silicon Carbide, EPDM	9630095935	9630938776
		Rotary Seal/Static Seal Ring. Inboard Seal: Carbon/Silicon Carbide. Outboard Seal: Carbon/Silicon Carbide, FPM	9630861723	9630950752
		Rotary Seal/Static Seal Ring. Inboard Seal: Carbon/Silicon Carbide. Outboard Seal: Carbon/Silicon Carbide, MVQ	9630950757	9630950758

Note: Q-Doc certification needs to be requested by order for mechanical seals



R00 Double Mechanical Seals (Complete) - SX UltraPure 7 Pump Models

2 seals per pump. It is recommended to replace both sets of seals when wear dictates seal replacement.

The squad ring is replaced by a conventional 'o' ring if the pressure between the seal flush media and pump head discharge pressure is likely to exceed 5 bar.

Pos	Qty	Denomination	< 5 bar SX UP7 Item No.	> 5 bar SX UP7 Item No.
		Rotary Seal/Static Seal Ring. Inboard Seal: Carbon/Silicon Carbide. Outboard Seal: Carbon/Silicon Carbide, EPDM	9630090029	9630950761
		Rotary Seal/Static Seal Ring. Inboard Seal: Carbon/Silicon Carbide. Outboard Seal: Carbon/Silicon Carbide, FPM	9630934151	9630936885
		Rotary Seal/Static Seal Ring. Inboard Seal: Carbon/Silicon Carbide. Outboard Seal: Carbon/Silicon Carbide, MVQ	9630950764	9630950765

Note: Q-Doc certification needs to be requested by order for mechanical seals

20 R00 Mechanical Seals (Parts) - SX UP1 and SX UP2 Pump Models

Pos	Qty	Denomination	SX UP1 Item No.	SX UP2 Item No.
Parts for single R00 seals				
18	2	O-Ring, rotor sealing shaft end, EPDM USP Class VI	9630127026	9630854853
	2	O-Ring, rotor sealing shaft end, FPM USP Class VI	9630022907	9630865835
	2	O-Ring, rotor sealing shaft end, Silicone USP Class VI	9630070311	9630126677
92	2	Squad Ring, EPDM USP Class VI	9630069434	9630069435
	2	Squad Ring, FPM USP Class VI	9630069440	9630069654
	2	Squad Ring, Silicone USP Class VI	9630069437	9630069438
93	2	Rotary Seal Ring, Silicon Carbide	9630069795	9630069796
94	2	Cup Seal, EPDM USP Class VI	9630069424	9630069425
	2	Cup Seal, FPM USP Class VI	9630069429	9630069430
	2	Cup Seal, Silicone USP Class VI	9630069427	9630069428
95	2	Static Seal Ring, Silicon Carbide	9630069809	9630069810

Additional parts to convert above R00 single seals to single flushed seals

95* note1	2	Static Seal Ring, Silicon Carbide	9630069802	9630069803
96	2	Static Seal Ring O-Ring, EPDM USP Class VI	9630127024	9630854460
	2	Static Seal Ring O-Ring, FPM USP Class VI	9630941125	9630023418
	2	Static Seal Ring O-Ring, Silicone USP Class VI	9630043327	9630074739
97	2	Lip Seal, FPM	9630075620	9630075621

Note 1: 95* replaces 95 above.

Note 2: To convert to single flush seal also requires drg item no. 59 (elbow).

Additional parts to convert above R00 single seals to double flushed seals

92*note 2	2	Rotary Seal Ring O-Ring, EPDM USP Class VI	9630071261	9630074754
	2	Rotary Seal Ring O-Ring, FPM USP Class VI	9630071246	9630074750
	2	Rotary Seal Ring O-Ring, Silicone USP Class VI	9630071260	9630074752
95*note 1	2	Static Seal Ring, Sil.Car (inboard) /Sil.Car (outboard)	9630069816	9630069819
96	2	Static Seal Ring O-Ring, EPDM USP Class VI	9630127024	9630854460
	2	Static Seal Ring O-Ring, FPM USP Class VI	9630941125	9630023418
	2	Static Seal Ring O-Ring, Silicone USP Class VI	9630043327	9630074739
98	2	Rotary Seal Ring (outboard), Carbon	9630069832	9630069833
99	2	Rotary Seal Ring O-Ring, EPDM USP Class VI	9630127025	9630071238
	2	Rotary Seal Ring O-Ring, FPM	9630111351	9630071237
	2	Rotary Seal Ring O-Ring, MVQ	9630074749	9630071259

Note 1: 95* replaces 95 above.

Note 2: The squad ring is replaced by a conventional O-ring if the pressure difference between the seal flush media and pump head discharge pressure is likely to exceed 5 bar (ie 92* replaces 92 above).

Note 3: To convert to double seal also requires drg item no. 59 (elbow).

Wave springs supplied with drg no. 93 and 98 rotary seal rings:

91	2	Wave Spring	9630075413	9630075425
100	2	Wave Spring	9630075414	9630075426

Note: Q-Doc certification needs to be requested by order for mechanical seal parts

21 R00 Mechanical Seals (Parts) - SX UP3 and SX UP4 Pump Models

Pos	Qty	Denomination	SX UP3 Item No	SX UP4 Item No
Parts for single R00 seals				
18	2	O-Ring, rotor sealing shaft end, EPDM USP Class VI	9630854463	9630854854
	2	O-Ring, rotor sealing shaft end, FPM USP Class VI	9630865836	9630070327
	2	O-Ring, rotor sealing shaft end, Silicone USP Class VI	9630124023	9630105358
92	2	Squad Ring, EPDM USP Class VI	9630069433	9630069436
	2	Squad Ring, FPM USP Class VI	9630069442	9630069444
	2	Squad Ring, Silicone USP Class VI	9630069439	9630069443
93	2	Rotary Seal Ring, Silicon Carbide	9630069797	9630069798
94	2	Cup Seal, EPDM USP Class VI	9630069421	9630069426
	2	Cup Seal, FPM USP Class VI	9630069423	9630069432
	2	Cup Seal, Silicone USP Class VI	9630069422	9630069431
95	2	Static Seal Ring, Silicon Carbide	9630069811	9630069812

Additional parts to convert above R00 single seals to single flushed seals

95*note 1	2	Static Seal Ring, Silicon Carbide	9630069804	9630069805
96	2	Static Seal Ring O-Ring, EPDM USP Class VI	9630854855	9630862195
	2	Static Seal Ring O-Ring, FPM USP Class VI	9630865837	9630038945
	2	Static Seal Ring O-Ring, Silicone USP Class VI	9630858819	9630071262
97	2	Lip Seal, FPD	9630075622	9630075623

Note 1: 95* replaces 95 above.

Note 2: To convert to single flush seal also requires drg item no.59 (elbow).

Additional parts to convert above R00 single seals to double flushed seals

92*note 2	2	Rotary Seal Ring O-Ring, EPDM USP Class VI	9630854467	9630929689
	2	Rotary Seal Ring O-Ring, FPM USP Class VI	9630941109	9630932210
	2	Rotary Seal Ring O-Ring, Silicone USP Class VI	9630074753	9630074760
95*note 1	2	Static Seal Ring, Sil.Car (inboard) / Sil.Car (outboard)	9630069821	9630069823
96	2	Static Seal Ring O-Ring, EPDM USP Class VI	9630854855	9630038946
	2	Static Seal Ring O-Ring, FPM USP Class VI	9630865837	9630038945
	2	Static Seal Ring O-Ring, Silicone USP Class VI	9630858819	9630071262
98	2	Rotary Seal Ring (outboard), Carbon	9630069834	9630069835
99	2	Rotary Seal Ring O-Ring, EPDM USP Class VI	9630071245	9630071265
	2	Rotary Seal Ring O-Ring, FPM USP Class VI	9630024187	9630071264
	2	Rotary Seal Ring O-Ring, Silicone USP Class VI	9630071239	9630071263

Note 1: 95* replaces 95 above.

Note 2: The squad ring is replaced by a conventional O-ring if the pressure difference between the seal flush media and pump head discharge pressure is likely to exceed 5 bar (ie 92* replaces 92 above).

Note 3: To convert to double seal also requires drg item no. 59 (elbow).

Wave springs supplied with drg no. 93 and 98 rotary seal rings:

91	2	Wave Spring	9630075429	9630075433
100	2	Wave Spring	9630075430	9630075434

Note: Q-Doc certification needs to be requested by order for mechanical seal parts

22 R00 Mechanical Seals (Parts) - SX UP5 and SX UP6 Pump Models

Pos	Qty	Denomination	SX UP5 Item No	SX UP6 Item No
Parts for single R00 seals				
18	2	O-Ring, rotor sealing shaft end, EPDM USP Class VI	9630854855	9630854891
	2	O-Ring, rotor sealing shaft end, FPM USP Class VI	9630865837	9630111352
	2	O-Ring, rotor sealing shaft end, Silicone USP Class VI	9630858819	9630105357
92	2	Squad Ring, EPDM USP Class VI	9630069867	9630069870
	2	Squad Ring, FPM USP Class VI	9630069868	9630069872
	2	Squad Ring, Silicone USP Class VI	9630069869	9630069873
93	2	Rotary Seal Ring, Silicon Carbide	9630069799	9630069800
94	2	Cup Seal, EPDM USP Class VI	9630069858	9630069859
	2	Cup Seal, FPM USP Class VI	9630069861	9630069863
	2	Cup Seal, Silicone USP Class VI	9630069862	9630069864
95	2	Static Seal Ring, Silicon Carbide	9630069813	9630069814

Additional parts to convert above R00 single seals to double flushed seals

92*note 2	2	Rotary Seal Ring O-Ring, EPDM USP Class VI	9630854475	9630854489
	2	Rotary Seal Ring O-Ring, FPM USP Class VI	9630063121	9630941121
	2	Rotary Seal Ring O-Ring, Silicone USP Class VI	9630074762	9630074764
95*note 1	2	Static Seal Ring, Sil.Car (inboard) /Sil.Car (outboard)	9630069826	9630069828
96	2	Static Seal Ring O-Ring, EPDM USP Class VI	9630941114	9630111355
	2	Static Seal Ring O-Ring, FPM USP Class VI	9630063125	9630111354
	2	Static Seal Ring O-Ring, Silicone Class VI	9630042618	9630074740
98	2	Rotary Seal Ring (outboard), Carbon	9630069836	9630069837
99	2	Rotary Seal Ring O-Ring, EPDM USP Class VI	9630941680	9630941114
	2	Rotary Seal Ring O-Ring, FPM USP Class VI	9630023448	9630063125
	2	Rotary Seal Ring O-Ring, Silicone USP Class VI	9630074742	9630042618

Note 1: 95* replaces 95 above.

Note 2: The squad ring is replaced by a conventional O-ring if the pressure difference between the seal flush media and pump head discharge pressure is likely to exceed 8 bar (ie 92* replaces 92 above).

Note 3: To convert to double seal also requires drg item no.18 (O-ring) and 59 (elbow).

Wave springs supplied with drg no. 93 and 98 rotary seal rings:

91	2	Wave Spring	9630075437	9630075441
100	2	Wave Spring	9630075438	9630075442

Note: Q-Doc certification needs to be requested by order for mechanical seal parts

23 R00 Mechanical Seals (Parts) - SX UP7 Pump Models

Pos	Qty	Denomination	SX UP7 Item No
Parts for single R00 seals			
18	2	O-Ring, rotor sealing shaft end, EPDM USP Class VI	9630854473
	2	O-Ring, rotor sealing shaft end, FPM USP Class VI	9630941123
	2	O-Ring, rotor sealing shaft end, Silicone USP Class VI	9630124024
92	2	Squad Ring, EPDM USP Class VI	9630069871
	2	Squad Ring, FPM USP Class VI	9630069875
	2	Squad Ring, Silicone USP Class VI	9630069874
93	2	Rotary Seal Ring, Silicon Carbide	9630069801
94	2	Cup Seal, EPDM USP Class VI	9630069860
	2	Cup Seal, FPM USP Class VI	9630069865
	2	Cup Seal, Silicone USP Class VI	9630069866
95	2	Static Seal Ring, Silicon Carbide	9630069815
Additional parts to convert above R00 single seals to double flushed seals			
92*note 2	2	Rotary Seal Ring, O-Ring, EPDM USP Class VI	9630929690
	2	Rotary Seal Ring, O-Ring, FPM USP Class VI	9630074759
	2	Rotary Seal Ring, O-Ring, Silicone USP Class VI	9630074765
95*note 1	2	Static Seal Ring, Sil.Car (inboard) /Sil.Car (outboard)	9630069830
96	2	Static Seal Ring, O-Ring, EPDM USP Class VI	9630857065
	2	Static Seal Ring, O-Ring, FPM USP Class VI	9630037183
	2	Static Seal Ring, O-Ring, Silicone USP Class VI	9630043332
98	2	Rotary Seal Ring (outboard), Carbon	9630069538
99	2	Rotary Seal Ring O-Ring, EPDM USP Class VI	9630854451
	2	Rotary Seal Ring O-Ring, FPM USP Class VI	9630941124
	2	Rotary Seal Ring O-Ring, Silicone USP Class VI	9630074743

Note 1: 95* replaces 95 above.

Note 2: The squad ring is replaced by a conventional O-ring if the pressure difference between the seal flush media and pump head discharge pressure is likely to exceed 8 bar (ie 92* replaces 92 above).

Note 3: To convert to double seal also requires drg item no.18 and 59.

Wave springs supplied with drg no. 93 and 98 rotary seal rings:

91	2	Wave Spring	9630075444
100	2	Wave Spring	9630075445

Note: Q-Doc certification needs to be requested by order for mechanical seal parts

24 SX UltraPure ATEX Parts

Pos	Qty	Denomination	Item No.
8	1	Shim - stainless steel, SX UP1	9630034304
	set		
	1	Shim - stainless steel, SX UP2	9630034201
	set		
	1	Shim - stainless steel, SX UP3	9630034030
	set		
	1	Shim - stainless steel, SX UP4	9630033704
	set		
	1	Shim - stainless steel, SX UP5	9630033411
	set		
	1	Shim - stainless steel, SX UP6	9630033392
	set		
	1	Shim - stainless steel, SX UP7	tba
	set		
46	1	Sight glass	9630855435
47	1	Filler plug	9630105171
50	2	Gland guard, SX UP1	9630111575
	2	Gland guard, SX UP2	9630111576
	2	Gland guard, SX UP3	9630111577
	2	Gland guard, SX UP4	9630111562
	2	Gland guard, SX UP5	9630111644
	2	Gland guard, SX UP6	9630111645
	2	Gland guard, SX UP7	9630111646
95	1	Stationary seal ring with thermocouple SX UP1	tba
	1	Stationary seal ring with thermocouple SX UP2	tba
	1	Stationary seal ring with thermocouple SX UP3	tba
	1	Stationary seal ring with thermocouple SX UP4	tba
	1	Stationary seal ring with thermocouple SX UP5	tba
	1	Stationary seal ring with thermocouple SX UP6	tba
	1	Stationary seal ring with thermocouple SX UP7	tba
101	1	hermocouple clamp plate SX UP1	tba
	1	hermocouple clamp plate SX UP2	tba
	1	hermocouple clamp plate SX UP3	9630921042
	1	hermocouple clamp plate SX UP4	tba
	1	hermocouple clamp plate SX UP5	tba
	1	hermocouple clamp plate SX UP6	tba
	1	hermocouple clamp plate SX UP7	tba
102	2	Screw, thermocouple clamp plate SX UP1	tba
	2	Screw, thermocouple clamp plate SX UP2-3	9630021076
	2	Screw, thermocouple clamp plate SX UP4-7	tba
103	1	Plastic bush SX UP1-7	9630855571
104	1	Screw, bush locking SX UP1-7	9630863216
	1	Stud, earthing, SX UP1	9630105360
	1	Stud, earthing, SX UP2-4	9630105362
	1	Stud, earthing, SX UP5-7	9630105360
	2	Nut, earthing stud	9630024057
	2	Washer, lock	9630105264
	1	Earth bonding cable	9630105267
	2	Terminal copper tube	9630105435
	1	Earth bonding tag	9630105614

How to contact Alfa Laval

Contact details for all countries are continually updated on our website.

Please visit www.alfalaval.com to access the information directly.

© Alfa Laval Corporate AB

This document and its contents is owned by Alfa Laval Corporate AB and protected by laws governing intellectual property and thereto related rights. It is the responsibility of the user of this document to comply with all applicable intellectual property laws. Without limiting any rights related to this document, no part of this document may be copied, reproduced or transmitted in any form or by any means (electronic, mechanical, photocopying, recording, or otherwise), or for any purpose, without the expressed permission of Alfa Laval Corporate AB. Alfa Laval Corporate AB will enforce its rights related to this document to the fullest extent of the law, including the seeking of criminal prosecution.