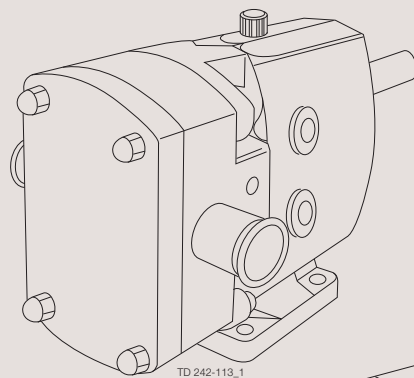


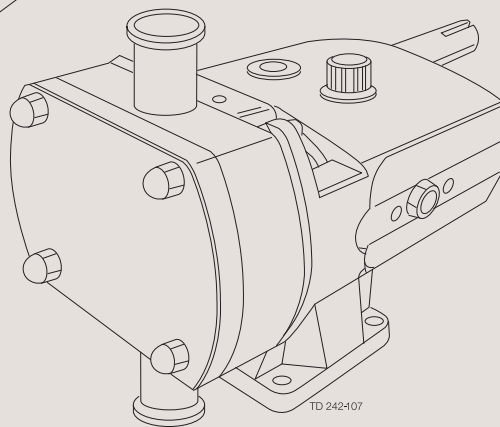


## Spare Parts

### SX Rotary Lobe Pumps



TD 242-113\_1



TD 242-107

ESE01944-EN4 2022-02

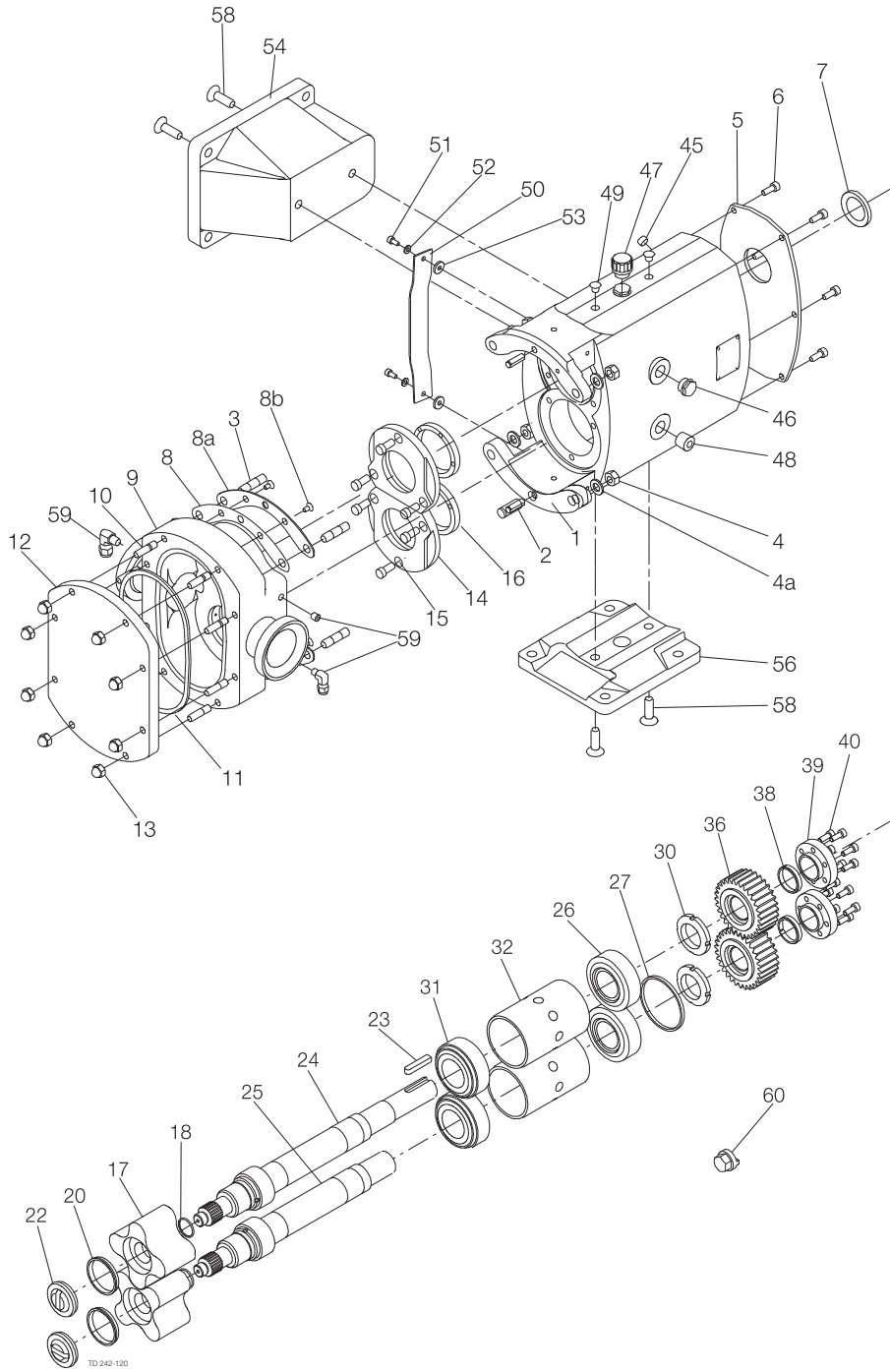
Original manual



## Table of contents

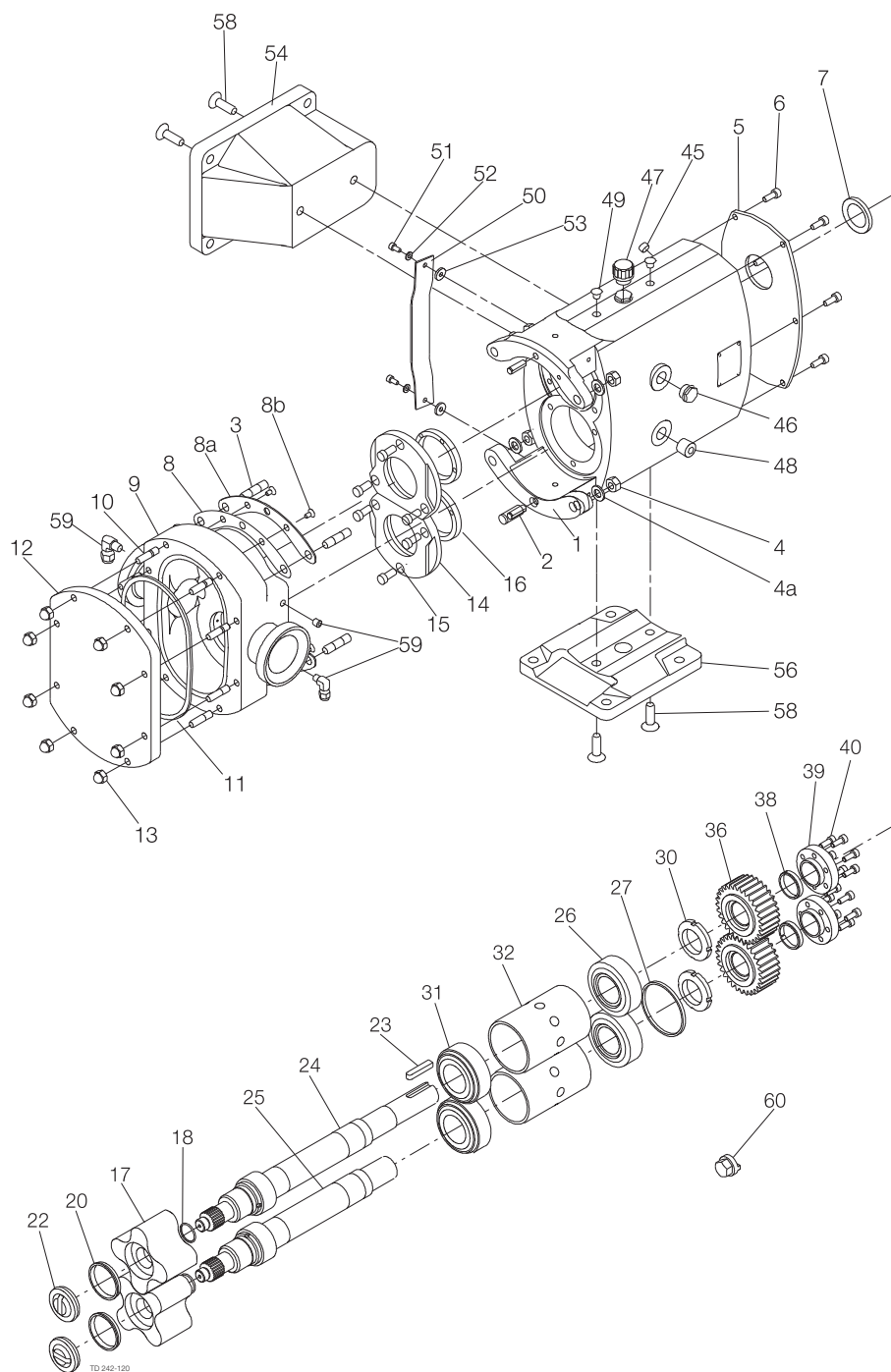
*The information herein is correct at the time of issue but may be subject to change without prior notice*

1. SX-1 Rotary Lobe Pumps .....	4
2. SX-2 Rotary Lobe Pumps .....	6
3. SX-3 Rotary Lobe Pumps .....	8
4. SX-4 Rotary Lobe Pumps .....	10
5. SX-5 Rotary Lobe Pumps .....	12
6. SX-6 Rotary Lobe Pumps .....	14
7. SX-7 Rotary Lobe Pumps .....	16
8. SX 1-7, Cover / Rotor Seal Kits .....	18
9. Service Kits (R00 Single Mechanical Seals) - SX Pump Range .....	20
10. R00 Single Mechanical Seals (Complete) - SX Pump Range .....	22
11. R00 Single Flushed Mechanical Seals (Complete) - SX Pump Range .....	26
12. R00 Double Mechanical Seals (Complete) - SX1-SX2 Pump Models .....	30
13. R00 Double Mechanical Seals (Complete) - SX3 and SX4 Pump Models .....	32
14. R00 Double Mechanical Seals (Complete) - SX5-7 Pump Models .....	34
15. R00 Mechanical Seals (Parts) - SX1 and SX2 Pump Models .....	38
16. R00 Mechanical Seals (Parts) - SX3 and SX4 Pump Models .....	39
17. R00 Mechanical Seals (Parts) - SX5 and SX6 Pump Models .....	40
18. R00 Mechanical Seals (Parts) - SX7 Pump Models .....	41
19. SX ATEX Parts .....	42
20. Revision History - SX Pump .....	43



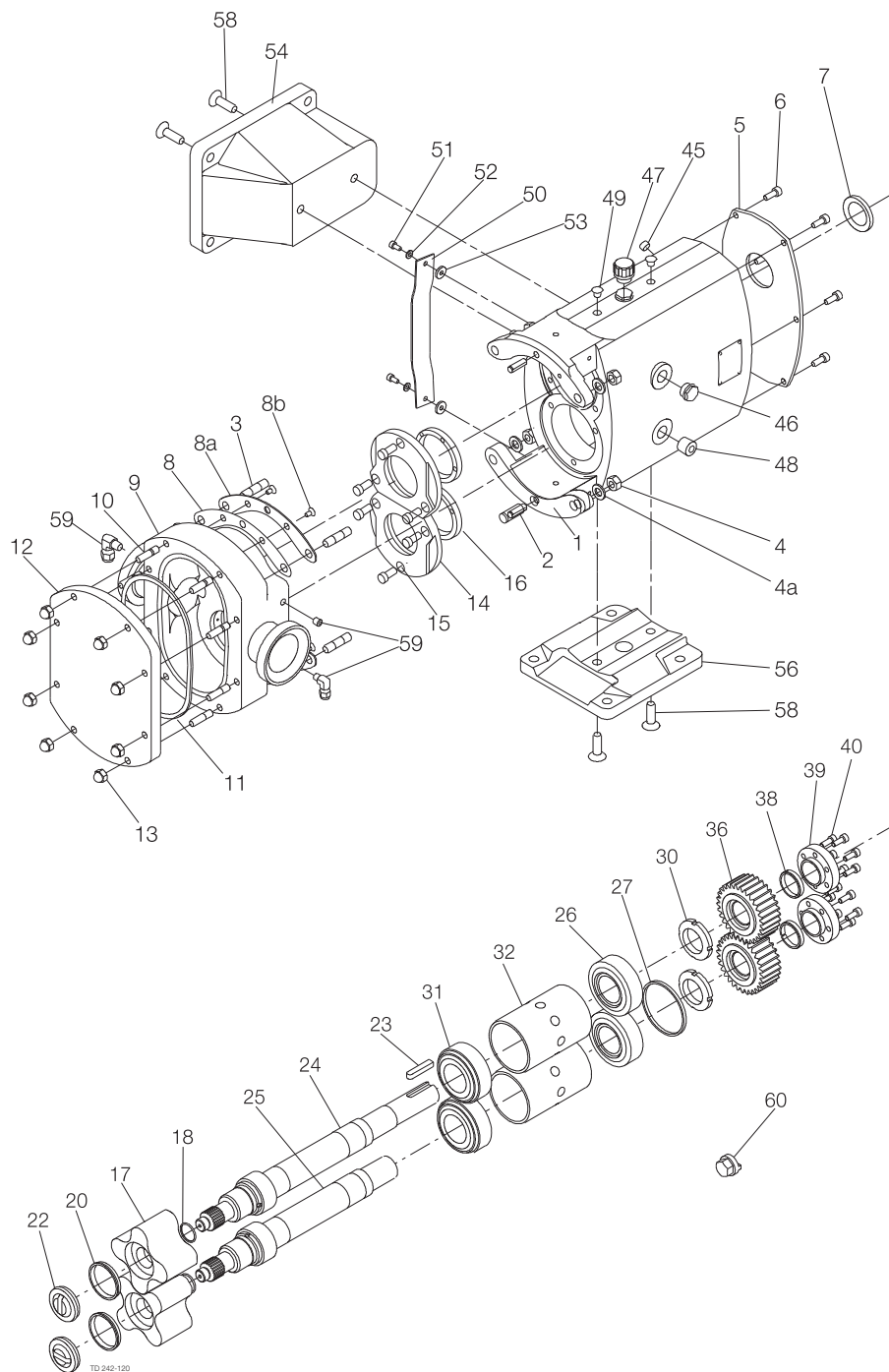
## SX-1 Rotary Lobe Pumps

Pos	Qty	Denomination	Item No.
1	1	Gearcase .....	9630070599
2	2	Dowel .....	9630030093
3	4	Stud, rotorcase retention & cover retention, SX1/005 .....	9630074135
	4	Stud, rotorcase retention, SX1/007 .....	9630052259
4	4	Nut, rotorcase retention .....	9630024057
4a	4	Washer, rotorcase retention .....	9630024231
5	1	Cover gearcase .....	9630070842
6	6	Screw gearcase cover .....	9630030332
7	1	Lip seal, rear .....	9630032806
8	1	Shim - standard, (for ATEX pump see 'ATEX Parts') Polymex ....	9630034305
set			
8a	2	Shim retainer .....	9630050684
8b	4	Screw, shim retainer .....	9630050533
9	1	Rotorcase, 1" (25mm) connections DIN11851, SX1/005 .....	9630102095
	1	Rotorcase, 1" (25mm) connections ISS/IDF, SX1/005 .....	9630102094
	1	Rotorcase, 1" (25mm) connections RJT, SX1/005 .....	9630102096
	1	Rotorcase, 1" (25mm) connections SMS, SX1/005 .....	9630102093
	1	Rotorcase, 1" (25mm) connections Tri-clamp .....	9630102092
	1	Rotorcase, 1.1/2" (40mm) connections DIN11851, SX1/007 ....	9630102116
	1	Rotorcase, 1.1/2" (40mm) connections ISS/IDF, SX1/007 .....	9630102115
	1	Rotorcase, 1.1/2" (40mm) RJT, SX1/007 .....	9630102113
	1	Rotorcase, 1.1/2" (40mm) connections SMS, SX1/007 .....	9630102114
	1	Rotorcase, 1.1/2" (40mm) connections Tri-clamp SX1/007 .....	9630102112
10	4	Stud, rotorcase/cover retention, SX1/007 .....	9630052259
11	1	Compression joint, FPM .....	9630070718
	1	Compression joint, Silicone .....	9630070719
	1	Compression joint, EPDM .....	9630070720
12	1	Cover, rotorcase .....	9630070814
13	4	Dome nut, rotorcase cover .....	9630024095
14	2	Retainer, seal .....	9630070802
15	6	Screw, seal retainer .....	9630030332
16	2	Lip seal, gland end .....	9630072343
17	2	Rotor, Stainless Steel, 6 bar 150°C, SX1/005 .....	9630111925
	2	Rotor, Stainless Steel, 12 bar 150°C, SX1/007 .....	9630112717
	2	Rotor, Stainless Steel, 7 bar 150°C, SX1/007 .....	9630126009
20	2	Cup seal, rotor retainer, FPM .....	9630070696
	2	Cup seal, rotor retainer, Silicone .....	9630070698
	2	Cup seal, rotor retainer, EPDM .....	9630070697
22	2	Rotor retainer .....	9630070730
23	1	Key .....	9630031498
24	1	Shaft, drive, SX1/005 .....	9630070799
	1	Shaft, drive, SX1/007 .....	9630070800
25	1	Shaft, auxiliary, SX1/005 .....	9630070798
	1	Shaft, auxiliary, SX1/007 .....	9630070801
26	2	Bearing, rear .....	9630029026
27	1	Spacer, shaft abutment .....	9630032664
30	2	Nut, bearing .....	9630029135
31	2	Bearing, front .....	9630029026
32	2	Spacer, bearing .....	9630033403
36	2	Timing gear .....	9630069308
38	2	Torque locking element .....	9630025151
39	2	Clamp plate .....	9630031371
40	6	Screw, clamp plate .....	9630030096
45	2	Drain plug .....	9630023546
46	1	Sight glass, standard (for ATEX pump see 'ATEX Parts') .....	9630032778
47	1	Filler plug, standard (for ATEX pump see 'ATEX Parts') .....	9630018599
48	2	Plug .....	9630023548
49	4	Blanking plug .....	9630089950
50	2	Gland guard, standard (for ATEX pump see 'ATEX Parts') .....	9630074944
51	4	Screw, gland guard .....	9630050533
53	4	Washer, gland guard .....	9630924711
54	1	Foot, vertical port .....	9630070562
56	1	Foot, horizontal port .....	9630070561
58	2	Screw, foot .....	9630074795
60	1	Tool, rotor retainer .....	9630070709



## SX-2 Rotary Lobe Pumps

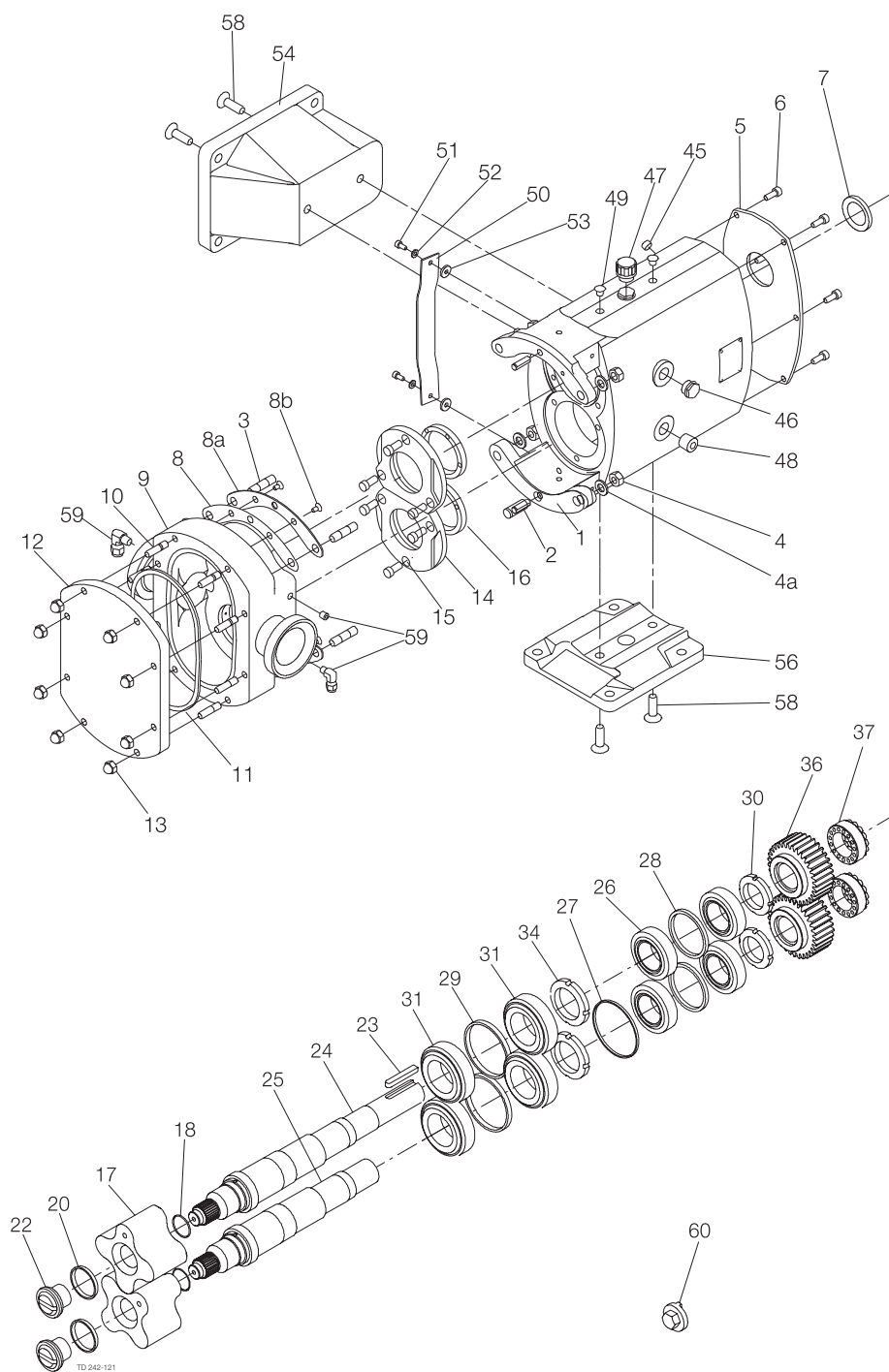
Pos	Qty	Denomination	Item No.
1	1	Gearcase .....	9630070054
2	2	Dowel .....	9630030093
3	4	Stud, rotorcase retention .....	9630052261
4	4	Nut, rotorcase retention .....	9630024051
4a	4	Washer, rotorcase retention .....	9630024233
5	1	Cover gearcase .....	9630070008
6	6	Screw, gearcase cover .....	9630021069
7	1	Lip seal, rear .....	9630032807
8	1	Shim, standard (for ATEX pump see 'ATEX Parts') Polymex .....	9630034199
		set	
8a	2	Shim retainer .....	9630089541
8b	4	Screw, shim retainer .....	9630050533
9	1	Rotorcase, 1.1/2" (40mm) DIN11851, SX2/013 .....	9630102158
	1	Rotorcase, 1.1/2" (40mm) connections ISS/IDF, SX2/013 .....	9630102159
	1	Rotorcase, 1.1/2" (40mm) connections RJT, SX2/013 .....	9630102160
	1	Rotorcase, 1.1/2" (40mm) connections SMS, SX2/013 .....	9630102161
	1	Rotorcase, 1.1/2" (40mm) connections Tri-clamp, SX2/013 .....	9630102119
	1	Rotorcase, 2" (50mm) connections DIN11851, SX2/018 .....	9630102162
	1	Rotorcase, 2" (50mm) connections ISS/IDF, SX2/018 .....	9630102163
	1	Rotorcase, 2" (50mm) connections RJT, SX2/018 .....	9630102164
	1	Rotorcase, 2" (50mm) connections SMS, SX2/018 .....	9630102165
	1	Rotorcase, 2" (50mm) connections Tri-clamp, SX2/018 .....	9630102166
10	4	Stud, rotorcase/cover retention .....	9630024086
11	1	Compression joint, FPM .....	9630070193
	1	Compression joint, Silicone .....	9630070194
	1	Compression joint, EPDM .....	9630070195
12	1	Cover, rotorcase .....	9630069665
13	4	Dome nut, rotorcase cover .....	9630029651
14	2	Retainer, seal .....	9630069355
15	6	Screw, seal retainer .....	9630021069
16	2	Lip seal, front .....	9630043050
17	2	Rotor, Stainless Steel, 5 bar 150°C, SX2/013 .....	9630103470
	2	Rotor, Stainless Steel, 15 bar 150°C, SX2/013 .....	9630105398
	2	Rotor, Stainless Steel, 7 bar 150°C, SX2/018 .....	9630110785
20	2	Cup seal, rotor retainer, FPM .....	9630069429
	2	Cup seal, rotor retainer, Silicone .....	9630069427
	2	Cup seal, rotor retainer, EPDM .....	9630069424
22	2	Rotor retainer, SX2/013 .....	9630069548
	2	Rotor retainer, SX2/018 .....	9630070034
23	1	Key .....	9630023916
24	1	Shaft, drive .....	9630069668
25	1	Shaft, auxiliary .....	9630069666
26	2	Bearing, rear .....	9630069297
27	1	Spacer, shaft abutment .....	9630069959
30	2	Nut, bearing .....	9630029136
31	2	Bearing, front .....	9630069297
32	2	Spacer, bearing .....	9630069353
36	2	Timing gear .....	9630069305
38	2	Torque locking element .....	9630030115
39	2	Clamp plate .....	9630031407
40	12	Screw, clamp plate .....	9630024595
45	2	Drain plug .....	9630023546
46	1	Sight glass, standard (for ATEX pump see 'ATEX Parts') .....	9630032778
47	1	Filler plug, standard (for ATEX pump see 'ATEX Parts') .....	9630018599
48	2	Plug .....	9630023548
49	4	Blanking plug .....	9630087278
50	2	Gland guard, standard (for ATEX pump see 'ATEX Parts') .....	9630074946
51	4	Screw, gland guard .....	9630050533
53	4	Washer, gland guard .....	9630924711
54	1	Foot, vertical port .....	9630069904
56	1	Foot, horizontal port .....	9630069903
58	2	Screw, foot .....	9630074794
60	1	Tool, rotor retainer .....	9630070709





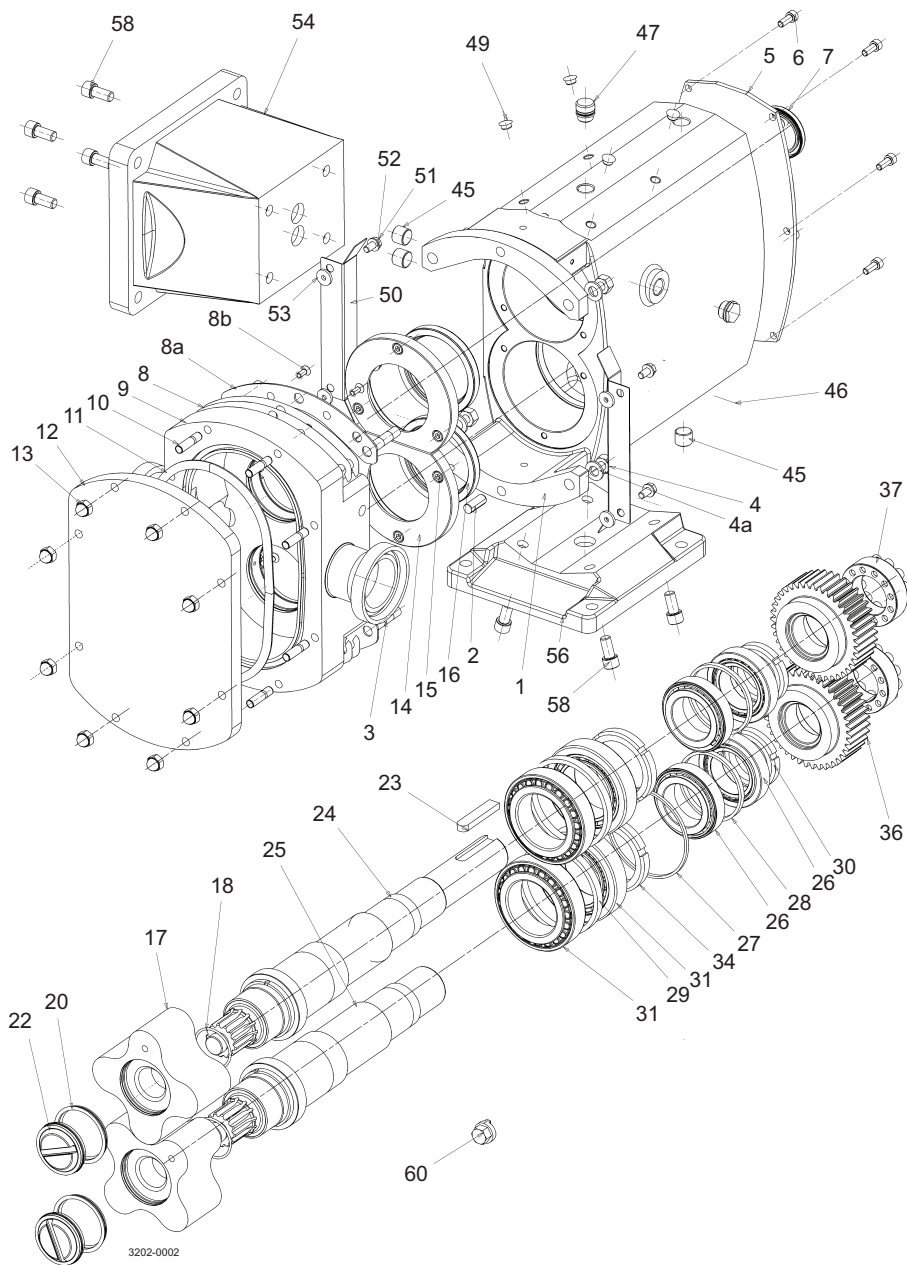
## SX-3 Rotary Lobe Pumps

Pos	Qty	Denomination	Item No.
1	1	Gearcase .....	9630087580
2	2	Dowel .....	9630023461
3	4	Stud, rotorcase retention .....	9630052263
4	4	Nut, rotorcase retention .....	9630024051
4A	4	Washer, rotorcase retention .....	9630024233
5	1	Cover, gearcase .....	9630070039
6	6	Screw, gearcase cover .....	9630021069
7	1	Lip seal, rear .....	9630032808
8	1	Shim, standard (for ATEX pump see 'ATEX Parts') Polymex .....	9630034130
	set		
8A	2	Shim retainer .....	9630089542
8B	4	Screw, shim retainer .....	9630050533
9	1	Rotorcase, 2" (50mm) connections DIN11851, SX3/027 .....	9630102167
	1	Rotorcase, 2" (50mm) connections ISS/IDF, SX3/027 .....	9630102168
	1	Rotorcase, 2" (50mm) connections RJT, SX3/027 .....	9630102169
	1	Rotorcase, 2" (50mm) connections SMS, SX3/027 .....	9630102170
	1	Rotorcase, 2" (50mm) connections Tri-clamp, SX3/027 .....	9630102171
	1	Rotorcase, 2.1/2" (65mm) connections DIN11851, SX3/035 .....	9630102172
	1	Rotorcase, 2.1/2" (65mm) connections ISS/IDF, SX3/035 .....	9630102173
	1	Rotorcase, 2.1/2" (65mm) connections RJT, SX3/035 .....	9630102174
	1	Rotorcase, 2.1/2" (65mm) connections SMS, SX3/035 .....	9630102175
	1	Rotorcase, 2.1/2" (65mm) connections Tri-clamp, SX3/035 .....	9630102176
10	8	Stud, rotorcase/cover retention .....	9630027490
11	1	Compression joint, FPM .....	9630070679
	1	Compression joint, Silicone .....	9630069223
	1	Compression joint, EPDM .....	9630069395
12	1	Cover, rotorcase .....	9630069707
13	8	Dome nut, rotorcase cover .....	9630029651
14	2	Retainer, seal .....	9630025431
15	6	Screw, seal retainer .....	9630021069
16	2	Lip seal, front .....	9630032798
17	2	Rotor, Stainless Steel 5 bar 150°C, SX3/027 .....	9630124273
	2	Rotor, Stainless Steel 15 bar 150°C, SX3/027 .....	9630102905
	2	Rotor, Stainless Steel 7 bar 150°C, SX3/035 .....	9630113513
20	2	Cup seal, rotor retainer, FPM .....	9630069430
	2	Cup seal, rotor retainer, Silicone .....	9630069428
	2	Cup seal, rotor retainer, EPDM .....	9630069425
22	2	Rotor retainer, SX3/027 .....	9630069705
	2	Rotor retainer, SX3/035 .....	9630070261
23	1	Key .....	9630031499
24	1	Shaft, drive .....	9630069745
25	1	Shaft, auxiliary .....	9630069743
26	2	Bearing, rear .....	9630029030
27	1	Spacer, shaft abutment .....	9630032683
30	2	Nut, bearing .....	9630029137
31	2	Bearing, front .....	9630029030
32	2	Spacer, bearing .....	9630029695
36	2	Timing gear .....	9630027688
38	4	Torque locking element .....	9630030273
39	2	Clamp plate .....	9630029175
40	12	Screw, clamp plate .....	9630024591
45	2	Drain plug .....	9630023546
46	1	Sight glass, standard (for ATEX pump see 'ATEX Parts') .....	9630032778
47	1	Filler plug, standard (for ATEX pump see 'ATEX Parts') .....	9630018599
48	2	Plug .....	9630023548
49	4	Blanking plug .....	9630087278
50	2	Gland guard, standard (for ATEX pump see 'ATEX Parts') .....	9630074947
51	4	Screw, gland guard .....	9630030332
52	4	Washer, gland guard .....	9630030121
53	4	Washer, gland guard .....	9630924711
54	1	Foot, vertical port .....	9630125239
56	1	Foot, horizontal port .....	9630070492
58	2	Screw, foot .....	9630074776
60	1	Tool, rotor retainer .....	9630070709



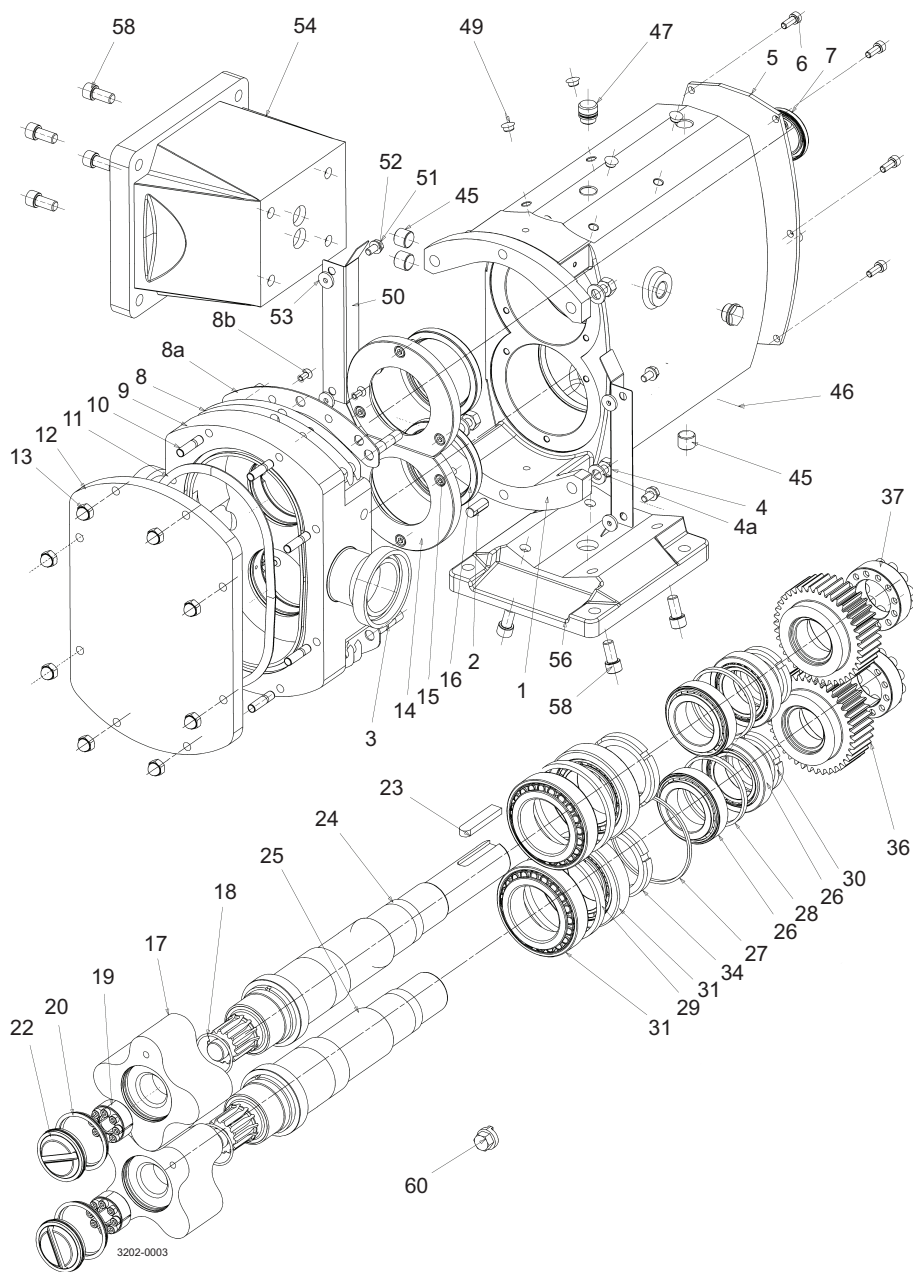
## SX-4 Rotary Lobe Pumps

Pos	Qty	Denomination	Item No.
1	1	Gearcase .....	9630070362
2	2	Dowel .....	9630070385
3	4	Stud, rotorcase retention .....	9630052265
4	4	Nut, rotorcase retention .....	9630024053
4a	4	Washer, rotorcase retention .....	9630024236
5	1	Cover, gearcase .....	9630070364
6	6	Screw, gearcase cover .....	9630024635
7	1	Lip seal, rear .....	9630032809
8	1	Shim, standard (for ATEX pump see 'ATEX Parts') Polymex .....	9630033702
		set	
8a	2	Shim retainer .....	9630089543
8b	4	Screw, shim retainer .....	9630050533
9	1	Rotorcase, 2" (50mm) connections DIN11851, SX4/046 .....	9630102177
	1	Rotorcase, 2" (50mm) connections ISS/IDF, SX4/046 .....	9630102178
	1	Rotorcase, 2" (50mm) connections RJT, SX4/046 .....	9630102179
	1	Rotorcase, 2" (50mm) connections SMS, SX4/046 .....	9630102181
	1	Rotorcase, 2" (50mm) connections Tri-clamp, SX4/046 .....	9630102182
	1	Rotorcase, 2.1/2" (65mm) connections DIN11851, SX4/063 .....	9630102183
	1	Rotorcase, 2.1/2" (65mm) connections ISS/IDF, SX4/063 .....	9630102184
	1	Rotorcase, 2.1/2" (65mm) connections RJT, SX4/063 .....	9630102185
	1	Rotorcase, 2.1/2" (65mm) connections SMS, SX4/063 .....	9630102186
	1	Rotorcase, 2.1/2" (65mm) connections Tri-clamp, SX4/063 .....	9630102187
10	8	Stud, rotorcase/cover retention .....	9630019863
11	1	Compression joint, FPM .....	9630070399
	1	Compression joint, Silicone .....	9630070400
	1	Compression joint, EPDM .....	9630070401
12	1	Cover, rotorcase .....	9630070403
13	8	Dome nut, rotorcase cover .....	9630029651
14	2	Retainer, seal .....	9630070335
15	6	Screw, seal retainer .....	9630024635
16	2	Lip seal, front .....	9630032800
17	2	Rotor, Stainless Steel 5 bar 150°C, SX4/046 .....	9630111763
	2	Rotor, Stainless Steel 15 bar 150°C, SX4/046 .....	9630124836
	2	Rotor, Stainless Steel 5 bar 150°C, SX4/063 .....	9630125362
	2	Rotor, Stainless Steel 10 bar 150°C, SX4/063 .....	9630110663
20	2	Cup seal, rotor retainer, FPM .....	9630069423
	2	Cup seal, rotor retainer, Silicone .....	9630069422
	2	Cup seal, rotor retainer, EPDM .....	9630069421
22	2	Rotor retainer, SX4/046 .....	9630070338
	2	Rotor retainer, SX4/063 .....	9630070339
23	1	Key .....	9630023932
24	1	Shaft, drive .....	9630070376
25	1	Shaft, auxiliary .....	9630070374
26	4	Bearing, rear .....	9630029032
27	1	Spacer, shaft abutment .....	9630070443
28	2	Spacer, bearing rear .....	9630070381
29	2	Spacer, bearing front .....	9630027142
30	2	Nut, bearing rear .....	9630029138
31	4	Bearing, front .....	9630069300
34	2	Nut, bearing front .....	9630024100
36	2	Timing gear .....	9630069307
37	2	Torque locking assembly .....	9630024451
45	2	Drain plug .....	9630023546
46	1	Sight glass, standard (for ATEX pump see 'ATEX Parts') .....	9630032778
47	1	Filler plug, standard (for ATEX pump see 'ATEX Parts') .....	9630018599
48	2	Plug .....	9630023548
49	4	Blanking plug .....	9630089949
50	2	Gland guard, standard (for ATEX pump see 'ATEX Parts') .....	9630074948
51	4	Screw, gland guard .....	9630030332
52	4	Washer, gland guard .....	9630030121
53	4	Washer, gland guard .....	9630924711
54	1	Foot, vertical port .....	9630070366
56	1	Foot, horizontal port .....	9630070368
58	2	Screw, foot .....	9630074775
60	1	Tool, rotor retainer .....	9630070769



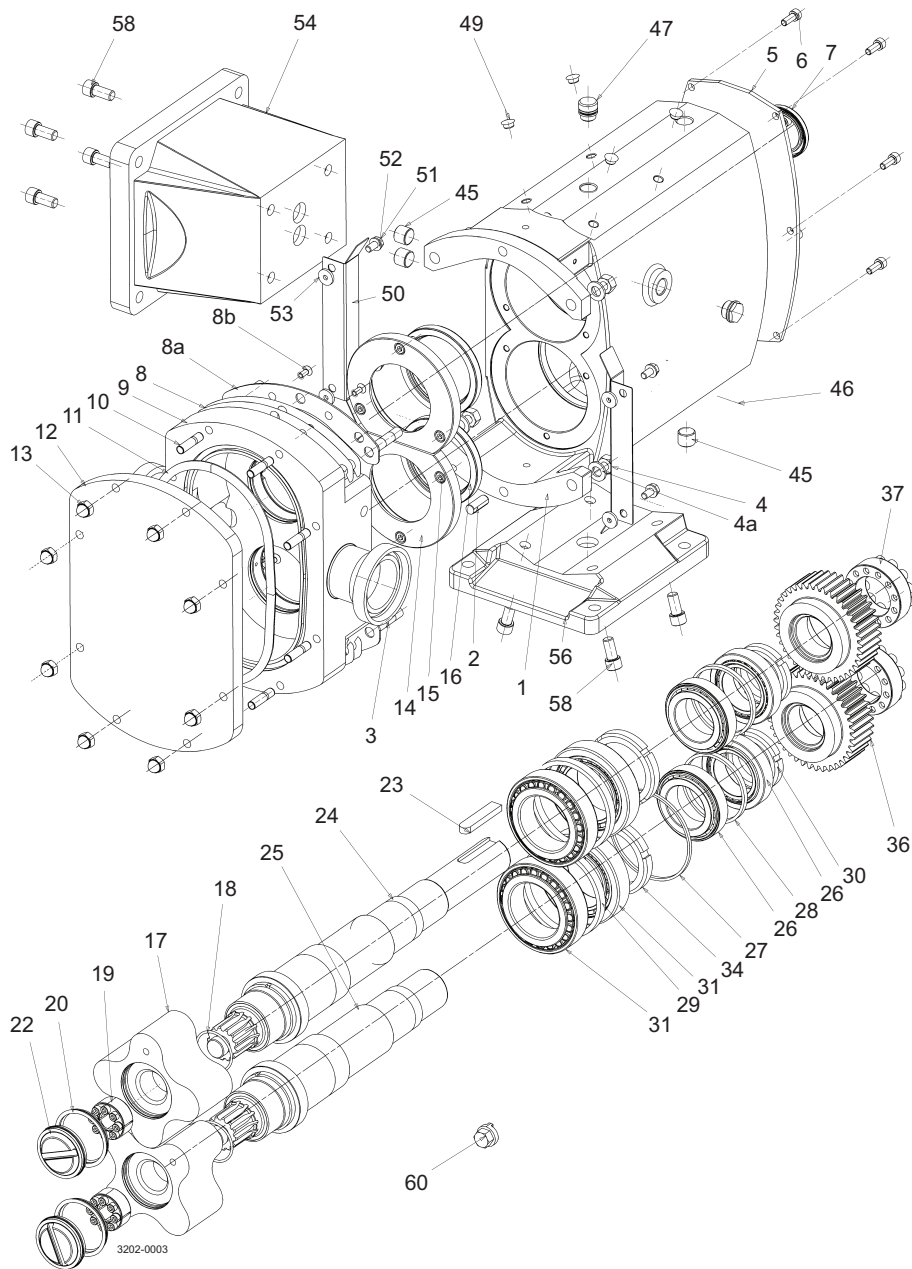
## SX-5 Rotary Lobe Pumps

Pos	Qty	Denomination	Item No.
1	1	Gearcase .....	9630070601
2	2	Dowel .....	9630023461
3	4	Stud, rotorcase retention .....	9630052265
4	4	Nut, rotorcase retention .....	9630024053
4a	4	Washer, rotorcase retention .....	9630024236
5	1	Cover, gearcase .....	9630666640
6	5	Screw, gearcase cover .....	9630024635
7	1	Lip seal, rear .....	9630032810
8	1	Shim, standard (for ATEX pump see 'ATEX Parts') Polymex .....	9630033860
		set	
8a	2	Shim retainer .....	9630089544
8b	4	Screw, shim retainer .....	9630050533
9	1	Rotorcase, 2.1/2" (65mm) connections DIN11851, SX5/082 .....	9630102188
	1	Rotorcase, 2.1/2" (65mm) connections ISS/IDF, SX5/082 .....	9630102189
	1	Rotorcase, 2.1/2" (65mm) connections RJT, SX5/082 .....	9630102190
	1	Rotorcase, 2.1/2" (65mm) connections SMS, SX5/082 .....	9630102191
	1	Rotorcase, 2.1/2" (65mm) connections Tri-clamp, SX5/082 .....	9630102192
	1	Rotorcase, 3" (80mm) connections DIN11851, SX5/115 .....	9630102193
	1	Rotorcase, 3" (80mm) connections ISS/IDF, SX5/115 .....	9630102194
	1	Rotorcase, 3" (80mm) connections RJT, SX5/115 .....	9630102195
	1	Rotorcase, 3" (80mm) connections SMS, SX5/115 .....	9630102196
	1	Rotorcase, 3" (80mm) connections Tri-clamp, SX5/115 .....	9630102124
10	8	Stud, rotorcase/cover retention .....	9630019863
11	1	Compression joint, FPM .....	9630071979
	1	Compression joint, Silicone .....	9630071980
	1	Compression joint, EPDM .....	9630071981
12	1	Cover, rotorcase .....	9630072005
13	8	Dome nut, rotorcase cover .....	9630029651
14	2	Retainer, seal .....	9630026099
15	6	Screw, seal retainer .....	9630024635
16	2	Lip seal, front .....	9630032802
17	2	Rotor, Stainless Steel 15 bar 150°C, SX5/082 .....	9630112549
	2	Rotor, Stainless Steel 10 bar 150°C, SX5/115 .....	9630099553
20	2	Cup seal, rotor retainer, FPM .....	9630069432
	2	Cup seal, rotor retainer, Silicone .....	9630069431
	2	Cup seal, rotor retainer, EPDM .....	9630069426
22	2	Rotor retainer, SX5/082 .....	9630073103
	2	Rotor retainer, SX5/115 .....	9630073104
23	1	Key .....	9630023940
24	1	Shaft, drive .....	9630073081
25	1	Shaft, auxiliary .....	9630073080
26	4	Bearing, rear .....	9630029034
27	1	Spacer, shaft abutment .....	9630035209
28	2	Spacer, bearing drive end .....	9630031175
29	2	Spacer, bearing gland end .....	9630031133
30	2	Nut, bearing rear .....	9630024100
31	4	Bearing, front .....	9630029036
34	2	Nut, bearing front .....	9630029139
36	2	Timing gear .....	9630031162
37	2	Torque locking assembly .....	9630024455
45	7	Drain plug .....	9630023548
46	1	Sight glass, standard (for ATEX pump see 'ATEX Parts') .....	9630032778
47	1	Filler plug, standard (for ATEX pump see 'ATEX Parts') .....	9630018599
50	2	Gland guard, standard (for ATEX pump see 'ATEX Parts') .....	9630666810
51	4	Screw, gland guard .....	9630030332
52	4	Washer, gland guard .....	9630030121
53	4	Washer, gland guard .....	9630924711
54	1	Foot, vertical port .....	9630070568
56	1	Foot, horizontal port .....	9630070567
58	4	Bolt, foot .....	9630038966
60	1	Tool, rotor retainer .....	9630070769



## SX-6 Rotary Lobe Pumps

Pos	Qty	Denomination	Item No.
1	1	Gearcase .....	9630070602
2	2	Dowel .....	9630023467
3	4	Stud, rotorcase retention .....	9630052267
4	4	Nut, rotorcase retention .....	9630024055
4A	4	Washer, rotorcase retention .....	9630024238
5	1	Cover, gearcase .....	9630666641
6	5	Screw, gearcase cover .....	9630024635
7	1	Lip seal, rear .....	9630032798
8	1	Shim, standard (for ATEX pump see 'ATEX Parts') Polymex .....	9630033391
		set	
8a	2	Shim retainer .....	9630051782
8b	4	Screw, shim retainer .....	9630050533
9	1	Rotorcase, 3" (80mm) connections DIN11851, SX6/140 .....	9630102197
	1	Rotorcase, 3" (80mm) connections ISS/IDF, SX6/140 .....	9630102198
	1	Rotorcase, 3" (80mm) connections RJT, SX6/140 .....	9630102199
	1	Rotorcase, 3" (80mm) connections SMS, SX6/140 .....	9630102200
	1	Rotorcase, 3" (80mm) connections Tri-clamp (3.1), SX6/140 .....	9630102201
	1	Rotorcase, 4" (100mm) connections DIN11851, SX6/190 .....	9630102202
	1	Rotorcase, 4" (100mm) connections ISS/IDF, SX6/190 .....	9630102203
	1	Rotorcase, 4" (100mm) connections RJT, SX6/190 .....	9630102204
	1	Rotorcase, 4" (100mm) connections SMS, SX6/190 .....	9630102205
	1	Rotorcase, 4" (100mm) connections Tri-clamp (3.1), SX6/190 .....	9630102149
10	8	Stud, rotorcase/cover retention .....	9630030574
11	1	Compression joint, FPM .....	9630071982
	1	Compression joint, Silicone .....	9630071983
	1	Compression joint, EPDM .....	9630071984
12	1	Cover, rotorcase .....	9630072006
13	8	Dome nut, rotorcase cover .....	9630024088
14	2	Retainer, seal .....	9630026103
15	6	Screw, seal retainer .....	9630024635
16	2	Lip seal, front .....	9630032803
17	2	Rotor, Stainless Steel 15 bar 150°C, SX6/140 .....	9630102913
	2	Rotor, Stainless Steel 10 bar 150°C, SX6/190 .....	9630856717
19	2	Torque locking assembly .....	9630938853
20	2	Cup seal, rotor retainer, FPM .....	9630069861
	2	Cup seal, rotor retainer, Silicone .....	9630069862
	2	Cup seal, rotor retainer, EPDM .....	9630069858
22	2	Rotor retainer .....	9630073101
23	1	Key .....	9630023940
24	1	Shaft, drive, SX6/140 .....	9630073057
	1	Shaft, drive, SX6/190 .....	9630073058
25	1	Shaft, auxiliary, SX6/140 .....	9630073056
	1	Shaft, auxiliary, SX6/190 .....	9630073059
26	4	Bearing, rear .....	9630029036
27	1	Spacer, shaft abutment .....	9630034661
28	2	Spacer, bearing rear .....	9630031133
29	2	Spacer, bearing front .....	9630031135
30	2	Nut, bearing rear .....	9630029139
31	4	Bearing, front .....	9630029038
34	2	Nut, bearing front .....	9630029140
36	2	Timing gear .....	9630030718
37	2	Torque locking assembly .....	9630024455
45	1	Drain plug .....	9630023548
46	1	Sight glass, standard (for ATEX pump see 'ATEX Parts') .....	9630032778
47	1	Filler plug, standard (for ATEX pump see 'ATEX Parts') .....	9630018599
50	2	Gland guard, standard (for ATEX pump see 'ATEX Parts') .....	9630666811
51	4	Screw, gland guard .....	9630030332
52	4	Washer, gland guard .....	9630030121
53	4	Washer, gland guard .....	9630924711
54	1	Foot, vertical port .....	9630070572
56	1	Foot, horizontal port .....	9630070571
58	4	Bolt, foot .....	9630038966
60	1	Tool, rotor retainer .....	9630070769
	1	Tool, rotor TLA clamp (not shown) complete: .....	9630087290
	1	Comprising of: Clamp ring .....	9630855562
	1	Comprising of: Clamp nut .....	9630855565





# SX-7 Rotary Lobe Pumps

Pos	Qty	Denomination	Item No.
1	1	Gearcase .....	9630070603
2	2	Dowel .....	9630023467
3	4	Stud, rotorcase retention .....	9630024029
4	4	Nut, rotorcase retention .....	9630024055
4a	4	Washer, rotorcase retention .....	9630024238
5	1	Cover, gearcase .....	9630668405
6	6	Screw, gearcase cover .....	9630024635
7	1	Lip seal, rear .....	9630054369
8	1	Shim, standard (for ATEX pump see 'ATEX Parts') Polymex .....	9630072392
	set		
8a	2	Shim retainer .....	9630072385
8b	4	Screw, shim retainer .....	9630050533
9	1	Rotorcase, 4" (100mm) connections DIN11851, SX7/250 .....	9630102206
	1	Rotorcase, 4" (100mm) connections ISS/IDF, SX7/250 .....	9630102207
	1	Rotorcase, 4" (100mm) connections RJT, SX7/250 .....	9630102208
	1	Rotorcase, 4" (100mm) connections SMS, SX7/250 .....	9630102209
	1	Rotorcase, 4" (100mm) connections Tri-clamp, SX7/250 .....	9630102150
	1	Rotorcase, 6" (150mm) connections DIN11851, SX 7/380 .....	9630085942
	1	Rotorcase, 6" (150mm) connections Tri-clamp, SX 7/380 .....	9630086312
10	8	Stud, rotorcase/cover retention .....	9630030574
11	1	Compression joint, FPM .....	9630071985
	1	Compression joint, Silicone .....	9630071986
	1	Compression joint, EPDM .....	9630071987
12	1	Cover, rotorcase .....	9630072007
13	8	Dome nut, rotorcase cover .....	9630024088
14	2	Retainer, seal .....	9630073028
15	6	Screw, seal retainer .....	9630060520
16	2	Lip seal, front .....	9630074130
17	2	Rotor, Stainless Steel 15 bar 150°C, SX7/250 .....	9630126267
	2	Rotor, Stainless Steel 10 bar 150°C, SX5/380 .....	9630102924
19	2	Torque locking assembly .....	9630938853
20	2	Cup seal, rotor retainer, FPM .....	9630069861
	2	Cup seal, rotor retainer, Silicone .....	9630069862
	2	Cup seal, rotor retainer, EPDM .....	9630069858
22	2	Rotor retainer .....	9630073101
23	1	Key .....	9630074134
24	1	Shaft, drive, SX7/250 .....	9630073020
	1	Shaft, drive, SX7/380 .....	9630073026
25	1	Shaft, auxiliary, SX7/250 .....	9630073021
	1	Shaft, auxiliary, SX7/380 .....	9630073027
26	4	Bearing, rear .....	9630029038
27	1	Spacer, shaft abutment .....	9630072526
28	2	Spacer, bearing rear .....	9630031135
29	2	Spacer, bearing front .....	9630072283
30	2	Nut, bearing rear .....	9630029140
31	4	Bearing, front .....	9630070846
34	2	Nut, bearing front .....	9630025231
36	2	Timing gear .....	9630071347
37	2	Torque locking assembly .....	9630025239
45	1	Drain plug .....	9630023548
46	1	Sight glass, standard (for ATEX pump see 'ATEX Parts') .....	9630032778
47	1	Filler plug, standard (for ATEX pump see 'ATEX Parts') .....	9630018599
50	2	Gland guard, standard (for ATEX pump see 'ATEX Parts') .....	9630667511
51	4	Screw, gland guard .....	9630030332
52	4	Washer, gland guard .....	9630030121
53	4	Washer, gland guard .....	9630924711
54	1	Foot, vertical port .....	9630070576
56	1	Foot, horizontal port .....	9630070575
60	1	Tool, rotor retainer .....	9630070769
	1	Tool, rotor TLA clamp (not shown) complete: .....	9630087290
	1	Comprising of: Clamp ring .....	9630855562
	1	Comprising of: Clamp nut .....	9630855565



**SX 1-7, Cover / Rotor Seal Kits**

---

Each kit comprises of Compression Joint and Rotor Retainer Cup Seals for one pump.

<b>Pos</b>	<b>Qty</b>	<b>Denomination</b>	<b>SX1 Item No.</b>	<b>SX2 Item No.</b>
		Cover / Rotor Seal Kit, EPDM .....	9630110858	9630110862
		Cover / Rotor Seal Kit, FPM .....	9630110860	9630110865
		Cover / Rotor Seal Kit, Silicone .....	9630110861	9630110866

<b>Pos</b>	<b>Qty</b>	<b>Denomination</b>	<b>SX3 Item No.</b>	<b>SX4 Item No.</b>
		Cover / Rotor Seal Kit, EPDM .....	9630110867	9630110870
		Cover / Rotor Seal Kit, FPM .....	9630110868	9630110871
		Cover / Rotor Seal Kit, Silicone .....	9630110869	9630110872

<b>Pos</b>	<b>Qty</b>	<b>Denomination</b>	<b>SX5 Item No.</b>	<b>SX6 Item No.</b>
		Cover / Rotor Seal Kit, EPDM .....	9630110873	9630110876
		Cover / Rotor Seal Kit, FPM .....	9630110874	9630110877
		Cover / Rotor Seal Kit, Silicone .....	9630110875	9630110878

<b>Pos</b>	<b>Qty</b>	<b>Denomination</b>	<b>SX7 Item No.</b>
		Cover / Rotor Seal Kit, EPDM .....	9630110880
		Cover / Rotor Seal Kit, FPM .....	9630110881
		Cover / Rotor Seal Kit, Silicone .....	9630110882

## 9 Service Kits (R00 Single Mechanical Seals) - SX Pump Range

Each kit comprises of 1 off Cover/Rotor Sealing Kit and 2 off complete Mechanical Seals for one pump.

Pos	Qty	Denomination	SX1	SX2
			Item No.	Item No.
		Rotary Seal/Static Seal Ring, Carbon/Stainless Steel, EPDM .....	9630950859	9630881846
		Rotary Seal/Static Seal Ring, Carbon/Stainless Steel, FPM .....	9630950860	9630881740
		Rotary Seal/Static Seal Ring, Carbon/Stainless Steel, Silicone .....	9630950861	9630950885
		Rotary Seal/Static Seal Ring, Carbon/Silicon Carbide, EPDM .....	9630950862	9630924087
		Rotary Seal/Static Seal Ring, Carbon/Silicon Carbide, FPM .....	9630950863	9630950886
		Rotary Seal/Static Seal Ring, Carbon/Silicon Carbide, Silicone .....	9630950864	9630950887
		Rotary Seal/Static Seal Ring, Silicon Carbide/Silicon Carbide, EPDM .....	9630857178	9630857179
		Rotary Seal/Static Seal Ring, Silicon Carbide/Silicon Carbide, FPM .....	9630880606	9630879061
		Rotary Seal/Static Seal Ring, Silicon Carbide/Silicon Carbide, Silicone .....	9630950766	9630925619

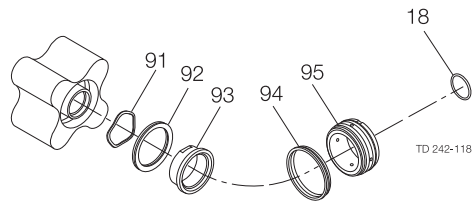
Pos	Qty	Denomination	SX3	SX4
			Item No.	Item No.
		Rotary Seal/Static Seal Ring, Carbon/Stainless Steel/EPDM .....	9630950934	
		Rotary Seal/Static Seal Ring, Carbon/Stainless Steel/FPM .....	9630950908	9630950935
		Rotary Seal/Static Seal Ring, Carbon/Stainless Steel/Silicone .....	9630950909	9630950936
		Rotary Seal /Static Seal Ring, Carbon/Silicon Carbide/EPDM .....	9630950910	9630950937
		Rotary Seal/Static Seal Ring, Carbon/Silicon Carbide/FPM .....	9630950911	9630950938
		Rotary Seal/Static Seal Ring, Carbon/Silicon Carbide/Silicone .....	9630950912	9630950939
		Rotary Seal/Static Seal Ring, Silicon Carbide/Silicon Carbide/EPDM .....	9630857180	9630857181
		Rotary Seal/Static Seal Ring, Silicon Carbide/Silicon Carbide/FPM .....	9630879729	9630866094
		Rotary Seal/Static Seal Ring, Silicon Carbide/Silicon Carbide/Silicone .....	9630939242	9630919921

Pos	Qty	Denomination	SX5	SX6
			Item No.	Item No.
		Rotary Seal/Static Seal Ring, Carbon/Stainless Steel, EPDM .....	9630950960	9630950981
		Rotary Seal/Static Seal Ring, Carbon/Stainless Steel, FPM .....	9630950961	9630950982
		Rotary Seal/Static Seal Ring, Carbon/Stainless Steel, Silicone .....	9630950962	9630950983
		Rotary Seal/Static Seal Ring, Carbon/Silicon Carbide, EPDM .....	9630950963	9630950984
		Rotary Seal/Static Seal Ring, Carbon/Silicon Carbide, FPM .....	9630950964	9630950985
		Rotary Seal/Static Seal Ring, Carbon/Silicon Carbide, Silicone .....	9630944094	9630950986
		Rotary Seal/Static Seal Ring, Silicon Carbide/Silicon Carbide, EPDM .....	9630857182	9630857183
		Rotary Seal/Static Seal Ring, Silicon Carbide/Silicon Carbide, FPM .....	9630881870	9630866095
		Rotary Seal/Static Seal Ring, Silicon Carbide/Silicon Carbide, Silicone .....	9630923899	9630950767

Pos	Qty	Denomination	SX7
			Item No.
		Rotary Seal/Static Seal Ring, Carbon/Stainless Steel, EPDM .....	9630918289
		Rotary Seal/Static Seal Ring, Carbon/Stainless Steel, FPM .....	9630951004
		Rotary Seal/Static Seal Ring, Carbon/Stainless Steel, Silicone .....	9630951005
		Rotary Seal/Static Seal Ring, Carbon/Silicon Carbide, EPDM .....	9630942323
		Rotary Seal/Static Seal Ring, Carbon/Silicon Carbide, FPM .....	9630951006
		Rotary Seal/Static Seal Ring, Carbon/Silicon Carbide, Silicone .....	9630951007
		Rotary Seal/Static Seal Ring, Silicon Carbide/Silicon Carbide, EPDM .....	9630857184
		Rotary Seal/Static Seal Ring, Silicon Carbide/Silicon Carbide, FPM .....	9630879211
		Rotary Seal/Static Seal Ring, Silicon Carbide/Silicon Carbide, Silicone .....	9630941206

Note: Q-Doc certification is standard with SX Service Kits





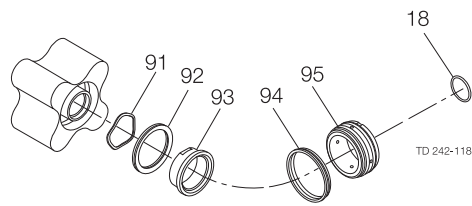
## R00 Single Mechanical Seals (Complete) - SX Pump Range

2 seals per pump. It is recommended to replace both sets of seals when wear dictates seal replacement

Pos	Qty	Denomination	SX1 Item No.	SX2 Item No.
		Rotary Seal/Static Seal Ring, Carbon/Stainless Steel, EPDM .....	9630088478	9630085768
		Rotary Seal/Static Seal Ring, Carbon/Stainless Steel, FPM .....	9630088480	9630088486
		Rotary Seal/Static Seal Ring, Carbon/Stainless Steel, Silicone ....	9630092185	9630857713
		Rotary Seal/Static Seal Ring, Carbon/Silicon Carbide, EPDM .....	9630088482	9630088232
		Rotary Seal/Static Seal Ring, Carbon/Silicon Carbide, FPM .....	9630088481	9630088487
		Rotary Seal/Static Seal Ring, Carbon/Silicon Carbide, Silicone ...	9630856690	9630856691
		Rotary Seal/Static Seal Ring, Silicon Carbide/Silicon Carbide, EPDM .....	9630088483	9630088489
		Rotary Seal/Static Seal Ring, Silicon Carbide/Silicon Carbide, FPM .....	9630088485	9630088488
		Rotary Seal/Static Seal Ring, Silicon Carbide/Silicon Carbide, Silicone .....	9630857712	9630857714

Pos	Qty	Denomination	SX3 Item No.	SX4 Item No.
		Rotary Seal/Static Seal Ring, Carbon/Stainless Steel, EPDM .....	9630088490	9630088493
		Rotary Seal/Static Seal Ring, Carbon/Stainless Steel, FPM .....	9630088491	9630088494
		Rotary Seal/Static Seal Ring, Carbon/Stainless Steel, Silicone ....	9630858769	9630099149
		Rotary Seal/Static Seal Ring, Carbon/Silicon Carbide, EPDM .....	9630088400	9630088496
		Rotary Seal/Static Seal Ring, Carbon/Silicon Carbide, FPM .....	9630088492	9630088495
		Rotary Seal/Static Seal Ring, Carbon/Silicon Carbide, Silicone ...	9630856692	9630856694
		Rotary Seal Stationary Seal Ring, Silicon Carbide/Silicon Carbide, EPDM .....	9630088209	9630088497
		Rotary Seal/Stationary Seal Ring, Silicon Carbide/Silicon Carbide, FPM .....	9630088125	9630076413
		Rotary Seal/Stationary Seal Ring, Silicon Carbide/Silicon Carbide, Silicone .....	9630858778	9630856568

Pos	Qty	Denomination	SX5 Item No.	SX6 Item No.
		Rotary Seal/Static Seal Ring, Carbon/Stainless Steel, EPDM .....	9630086706	9630088501
		Rotary Seal/Static Seal Ring, Carbon/Stainless Steel, FPM .....	9630086933	9630088502
		Rotary Seal/Static Seal Ring, Carbon/Stainless Steel, Silicone ....	9630858783	9630858785
		Rotary Seal/Static Seal Ring, Carbon/Silicon Carbide, EPDM .....	9630088498	9630088503
		Rotary Seal/Static Seal Ring, Carbon/Silicon Carbide, FPM .....	9630088499	9630088504
		Rotary Seal/Static Seal Ring, Carbon Silicon Carbide, Silicone ...	9630856695	9630856696
		Rotary Seal/Static Seal Ring, Silicon Carbide /Silicon Carbide, EPDM .....	9630087237	9630088506
		Rotary Seal/Static Seal Ring, Silicon Carbide/Silicon Carbide, FPM .....	9630088500	9630088505
		Rotary Seal/Static Seal Ring, Silicon Carbide/Silicon Carbide, Silicone .....	9630858784	9630858786



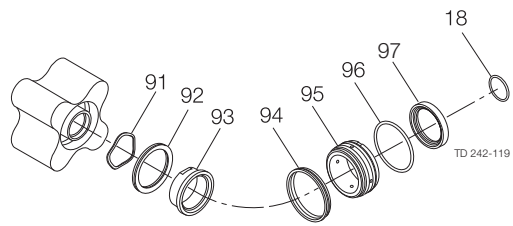


## R00 Single Mechanical Seals (Complete) - SX Pump Range

---

Pos	Qty	Denomination	SX7 Item No.
		Rotary Seal/Static Seal Ring, Carbon/Stainless Steel, EPDM .....	9630088507
		Rotary Seal/Static Seal Ring, Carbon/Stainless Steel, FPM .....	9630088508
		Rotary Seal/Static Seal Ring, Carbon/Stainless Steel, Silicone ....	
		Rotary Seal/Static Seal Ring, Carbon/Silicon Carbide, EPDM .....	9630088509
		Rotary Seal/Static Seal Ring, Carbon/Silicon Carbide, FPM .....	9630088510
		Rotary Seal/Static Seal Ring, Carbon/Silicon Carbide, Silicone ...	9630856697
		Rotary Seal/Static Seal Ring, Silicon Carbide/Silicon Carbide, EPDM .....	9630088512
		Rotary Seal/Static Seal Ring, Silicon Carbide/Silicon Carbide, FPM .....	9630088511
		Rotary Seal/Static Seal Ring, Silicon Carbide/Silicon Carbide, Silicone .....	9630101627

Note: Q-Doc certification needs to be requested by order for mechanical seals



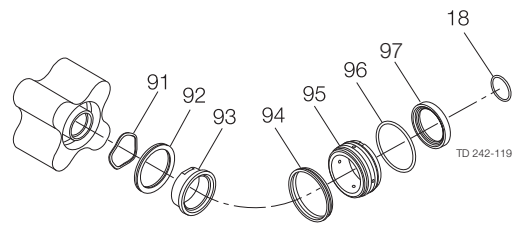
## R00 Single Flushed Mechanical Seals (Complete) - SX Pump Range

2 seals per pump. It is recommended to replace both sets of seals when wear dictates seal replacement

Pos	Qty	Denomination	SX1 Item No.	SX2 Item No.
		Rotary Seal/Static Seal Ring, Carbon/Stainless Steel, EPDM .....	9630881788	9630094760
		Rotary Seal/Static Seal Ring, Carbon/Stainless Steel, FPM .....	9630941616	9630092887
		Rotary Seal/Static Seal Ring, Carbon/Stainless Steel, Silicone .....	9630941617	9630864177
		Rotary Seal/Static Seal Ring, Carbon/Silicon Carbide, EPDM .....	9630941621	9630094176
		Rotary Seal/Static Seal Ring, Carbon/Silicon Carbide, FPM .....	9630941623	9630089032
		Rotary Seal/Static Seal Ring, Carbon/Silicon Carbide, Silicone ...	9630941622	9630941624
		Rotary Seal/Stationary Seal Ring, Silicon Carbide/Silicon Carbide, EPDM .....	9630125198	9630111133
		Rotary Seal/Stationary Seal Ring, Silicon Carbide/Silicon Carbide, FPM .....	9630112575	9630102419
		Rotary Seal/Stationary Seal Ring, Silicon Carbide/Silicon Carbide, Silicone .....	9630941613	9630941614

Pos	Qty	Denomination	SX3 Item No.	SX4 Item No.
		Rotary Seal/Static Seal Ring, Carbon/Stainless Steel, EPDM .....	9630881530	9630101974
		Rotary Seal/Static Seal Ring, Carbon/Stainless Steel, FPM .....	9630941619	9630938195
		Rotary Seal/Static Seal Ring, Carbon/Stainless Steel, Silicone .....	9630941618	9630941620
		Rotary Seal/Static Seal Ring, Carbon/Silicon Carbide, EPDM .....	9630090140	9630941626
		Rotary Seal/Static Seal Ring, Carbon/Silicon Carbide, FPM .....	9630856569	9630856570
		Rotary Seal/Static Seal Ring, Carbon/Silicon Carbide, Silicone ...	9630941625	9630941627
		Rotary Seal/Stationary Seal Ring, Silicon Carbide/Silicon Carbide, EPDM .....	9630088892	9630113647
		Rotary Seal/Stationary Seal Ring, Silicon Carbide/Silicon Carbide, FPM .....	9630127023	9630113652
		Rotary Seal/Stationary Seal Ring, Silicon Carbide/Silicon Carbide, Silicone .....	9630924902	9630941615

Pos	Qty	Denomination	SX5 Item No.	SX6 Item No.
		Rotary Seal/Static Seal Ring, Carbon/Stainless Steel, EPDM .....		9630125302
		Rotary Seal/Static Seal Ring, Carbon/Stainless Steel, FPM .....		
		Rotary Seal/Static Seal Ring, Carbon/Stainless Steel, Silicone .....		
		Rotary Seal/Static Seal Ring, Carbon/Silicon Carbide, EPDM .....		
		Rotary Seal/Static Seal Ring, Carbon/Silicon Carbide, FPM .....	9630099041	9630105248
		Rotary Seal/Static Seal Ring, Carbon/Silicon Carbide, Silicone ...		
		Rotary Seal/Static Seal Ring, Silicon Carbide/Silicon Carbide, EPDM .....	9630099410	9630859074
		Rotary Seal/Static Seal Ring, Silicon Carbide/Silicon Carbide, FPM .....	9630099042	9630859075
		Rotary Seal/Static Seal Ring, Silicon Carbide/Silicon Carbide, Silicone .....		



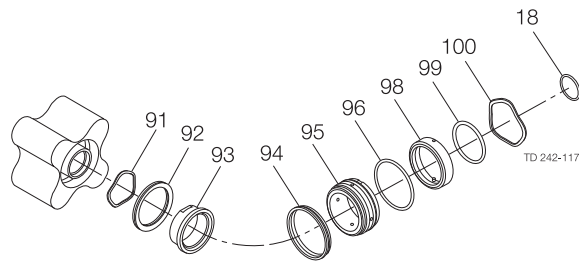
## R00 Single Flushed Mechanical Seals (Complete) - SX Pump Range

---

Pos	Qty	Denomination	SX7 Item No.
		Rotary Seal/Static Seal Ring, Carbon/Stainless Steel, EPDM .....	9630125304
		Rotary Seal/Static Seal Ring, Carbon/Stainless Steel, FPM .....	
		Rotary Seal/Static Seal Ring, Carbon/Stainless Steel, Silicone ....	
		Rotary Seal/Static Seal Ring, Carbon/Silicon Carbide, EPDM .....	9630126181
		Rotary Seal/Static Seal Ring, Carbon/Silicon Carbide, FPM .....	9630095965
		Rotary Seal/Static Seal Ring, Carbon/Silicon Carbide, Silicone ...	
		Rotary Seal/Static Seal Ring, Silicon Carbide/Silicon Carbide, EPDM .....	9630881905
		Rotary Seal/Static Seal Ring, Silicon Carbide/Silicon Carbide, FPM .....	9630096367
		Rotary Seal/Static Seal Ring, Silicon Carbide/Silicon Carbide, Silicone .....	

Note 1: Q-Doc certification needs to be requested by order for mechanical seals

Note 2: SX5-7 Flushed Seals discontinued for new pump sales 2011



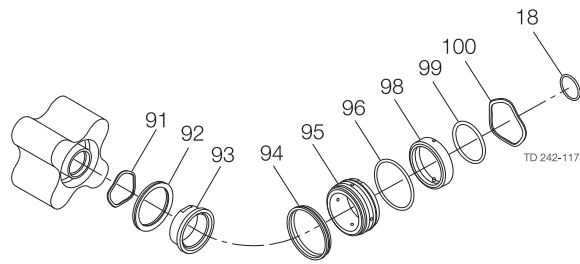
## R00 Double Mechanical Seals (Complete) - SX1-SX2 Pump Models

2 seals per pump. It is recommended to replace both sets of seals when wear dictates seal replacement.

The squad ring is replaced by a conventional O-ring if the pressure between the seal flush media and pump head discharge pressure is likely to exceed 5 bar.

Pos	Qty	Denomination	< 5 bar SX1 Item No.	> 5 bar SX1 Item No.
		Rotary Seal/Static Seal Ring. Inboard Seal: Carbon/Silicon Carbide. Outboard Seal: Carbon/Stainless Steel, EPDM .....		
		Rotary Seal/Static Seal Ring. Inboard Seal: Carbon/Silicon Carbide. Outboard Seal: Carbon/Stainless Steel, FPM .....		
		Rotary Seal/Static Seal Ring. Inboard Seal: Carbon/Silicon Carbide. Outboard Seal: Carbon/Stainless Steel, Silicone .....		
		Rotary Seal/Static Seal Ring. Inboard Seal: Carbon/Silicon Carbide. Outboard Seal: Carbon/Silicon Carbide, EPDM .....		
		Rotary Seal/Static Seal Ring. Inboard Seal: Carbon/Silicon Carbide. Outboard Seal: Carbon/Silicon Carbide, FPM .....		
		Rotary Seal/Static Seal Ring. Inboard Seal: Carbon/Silicon Carbide. Outboard Seal: Carbon/Silicon Carbide, Silicone .....		
		Rotary Seal /Static Seal Ring. Inboard Seal: Silicon Carbide/Silicon Carbide. Outboard Seal: Carbon/Stainless Steel, EPDM .....	9630920070	9630950728
		Rotary Seal/Static Seal Ring. Inboard Seal: Silicon Carbide/Silicon Carbide. Outboard Seal: Carbon/Stainless Steel, FPM .....	9630950724	9630941345
		Rotary Seal/Static Seal Ring. Inboard Seal: Silicon Carbide/Silicon Carbide. Outboard Seal: Carbon/Stainless Steel, Silicone .....	9630950725	9630950729
		Rotary Seal/Stationary Seal Ring. Inboard Seal: Silicon Carbide/Silicon Carbide. Outboard Seal: Carbon/Silicon Carbide, EPDM .....	9630092953	9630950730
		Rotary Seal/Stationary Seal Ring. Inboard Seal: Silicon Carbide/Silicon Carbide. Outboard Seal: Carbon/Silicon Carbide, FPM .....	9630950726	9630939858
		Rotary Seal/Stationary Seal Ring. Inboard Seal: Silicon Carbide/Silicon Carbide. Outboard Seal: Carbon/Silicon Carbide, MVQ .....	9630950727	9630950731

Pos	Qty	Denomination	< 5 bar SX2 Item No.	> 5 bar SX2 Item No.
		Rotary Seal/Static Seal Ring. Inboard Seal: Carbon/Silicon Carbide. Outboard Seal: Carbon/Stainless Steel, EPDM .....	9630089284	
		Rotary Seal/Static Seal Ring. Inboard Seal: Carbon/Silicon Carbide. Outboard Seal: Carbon/Stainless Steel, FPM .....		
		Rotary Seal/Static Seal Ring. Inboard Seal: Carbon/Silicon Carbide. Outboard Seal: Carbon/Stainless Steel, Silicone .....		
		Rotary Seal/Static Seal Ring. Inboard Seal: Carbon/Silicon Carbide. Outboard Seal: Carbon/Silicon Carbide, EPDM .....	9630113523	
		Rotary Seal/Static Seal Ring. Inboard Seal: Carbon/Silicon Carbide. Outboard Seal: Carbon/Silicon Carbide, FPM .....	9630126960	
		Rotary Seal/Static Seal Ring. Inboard Seal: Carbon/Silicon Carbide. Outboard Seal: Carbon/Silicon Carbide, Silicone .....		
		Rotary Seal/Static Seal Ring. Inboard Seal: Silicon Carbide/Silicon Carbide. Outboard Seal: Carbon/Stainless Steel, EPDM .....	9630099040	9630919601
		Rotary Seal/Static Seal Ring. Inboard Seal: Silicon Carbide/Silicon Carbide. Outboard Seal: Carbon/Stainless Steel, FPM .....	9630920102	9630950734
		Rotary Seal/Static Seal Ring. Inboard Seal: Silicon Carbide/Silicon Carbide. Outboard Seal: Carbon/Stainless Steel, Silicone .....	9630950732	9630950735
		Rotary Seal/Static Seal Ring. Inboard Seal: Silicon Carbide/Silicon Carbide. Outboard Seal: Carbon/Silicon Carbide, EPDM .....	9630864558	9630950736
		Rotary Seal/Static Seal Ring. Inboard Seal: Silicon Carbide/Silicon Carbide. Outboard Seal: Carbon/Silicon Carbide, FPM .....	9630864012	9630929117
		Rotary Seal/Static Seal Ring. Inboard Seal: Silicon Carbide/Silicon Carbide. Outboard Seal: Carbon/Silicon Carbide, Silicone .....	9630950733	9630950737





**R00 Double Mechanical Seals (Complete) - SX3 and SX4 Pump Models**

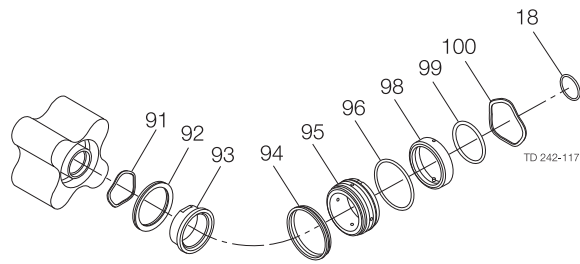
2 seals per pump. It is recommended to replace both sets of seals when wear dictates seal replacement.

The squad ring is replaced by a conventional 'o' ring if the pressure between the seal flush media and pump head discharge pressure is likely to exceed 5 bar.

Pos	Qty	Denomination	< 5 bar SX3 Item No.	> 5 bar SX3 Item No.
		Rotary Seal/Static Seal Ring. Inboard Seal: Carbon/Silicon Carbide. Outboard Seal: Carbon/Stainless Steel, EPDM .....		
		Rotary Seal/Static Seal Ring. Inboard Seal: Carbon/Silicon Carbide. Outboard Seal: Carbon/Stainless Steel, FPM .....		
		Rotary Seal/Static Seal Ring. Inboard Seal: Carbon/Silicon Carbide. Outboard Seal: Carbon/Stainless Steel, Silicone .....		
		Rotary Seal/Static Seal Ring. Inboard Seal: Carbon/Silicon Carbide. Outboard Seal: Carbon/Silicon Carbide, EPDM .....		
		Rotary Seal/Static Seal Ring. Inboard Seal: Carbon/Silicon Carbide. Outboard Seal: Carbon/Silicon Carbide, FPM .....		
		Rotary Seal/Static Seal Ring. Inboard Seal: Carbon/Silicon Carbide. Outboard Seal: Carbon/Silicon Carbide, Silicone .....		
		Rotary Seal/Static Seal Ring. Inboard Seal: Silicon Carbide/Silicon Carbide. Outboard Seal: Carbon/Stainless Steel, EPDM .....	9630086974	9630878666
		Rotary Seal/Static Seal Ring. Inboard Seal: Silicon Carbide/Silicon Carbide. Outboard Seal: Carbon /Stainless Steel, EPDM .....	9630087910	9630950740
		Rotary Seal/Static Seal Ring. Inboard Seal: Silicon Carbide/Silicon Carbide. Outboard Seal: Carbon/Stainless Steel, EPDM .....	9630932826	9630950738
		Rotary Seal/Static Seal Ring. Inboard Seal: Silicon Carbide/Silicon Carbide. Outboard Seal: Carbon/Silicon Carbide, EPDM .....	9630112225	9630950741
		Rotary Seal/Static Seal Ring. Inboard Seal: Silicon Carbide/Silicon Carbide. Outboard Seal: Carbon/Silicon Carbide, FPM .....	9630863999	9630938517
		Rotary Seal/Static Seal Ring. Inboard Seal: Silicon Carbide/Silicon Carbide. Outboard Seal: Carbon/Silicon Carbide, Silicone .....	9630932856	9630950742

Note: Q-Doc certification needs to be requested by order for mechanical seals

Pos	Qty	Denomination	< 5 bar SX4 Item No.	> 5 bar SX4 Item No.
		Rotary Seal/Stationary Seal Ring. Inboard Seal: Carbon/Silicon Carbide. Outboard Seal: Carbon/Stainless Steel, EPDM .....	9630085932	9630085933
		Rotary Seal /Stationary Seal Ring. Inboard Seal: Carbon/Silicon Carbide. Outboard Seal: Carbon/Stainless Steel, FPM .....		
		Rotary Seal/Stationary Seal Ring. Inboard Seal: Carbon/Silicon Carbide. Outboard Seal: Carbon/Stainless Steel, Silicone .....		
		Rotary Seal/Stationary Seal Ring. Inboard Seal: Carbon/Silicon Carbide. Outboard Seal: Carbon/Silicon Carbide, EPDM .....		
		Rotary Seal/Stationary Seal Ring. Inboard Seal: Carbon/Silicon Carbide. Outboard Seal: Carbon/Silicon Carbide, FPM .....		
		Rotary Seal/Stationary Seal Ring. Inboard Seal: Carbon/Silicon Carbide. Outboard Seal: Carbon/Silicon Carbide, Silicone .....		
		Rotary Seal/Stationary Seal Ring. Inboard Seal: Silicon Carbide/Silicon Carbide. Outboard Seal: Carbon/Stainless Steel, EPDM .....	9630113572	9630104481
		Rotary Seal/Stationary Seal Ring. Inboard Seal: Silicon Carbide/Silicon Carbide. Outboard Seal: Carbon/Stainless Steel, FPM .....	9630855583	9630950745
		Rotary Seal/Stationary Seal Ring. Inboard Seal: Silicon Carbide/Silicon Carbide. Outboard Seal: Carbon/Stainless Steel, Silicone .....	9630932827	9630950743
		Rotary Seal/Static Seal Ring. Inboard Seal: Silicon Carbide/Silicon Carbide. Outboard Seal: Carbon/Silicon Carbide, EPDM .....	9630087511	9630092624
		Rotary Seal/Static Seal Ring. Inboard Seal: Silicon Carbide/Silicon Carbide. Outboard Seal: Carbon/Silicon Carbide, FPM .....	9630919138	9630855585
		Rotary Seal/Static Seal Ring. Inboard Seal: Silicon Carbide/Silicon Carbide. Outboard Seal: Carbon/Silicon Carbide, Silicone .....	9630932857	9630950744



## R00 Double Mechanical Seals (Complete) - SX5-7 Pump Models

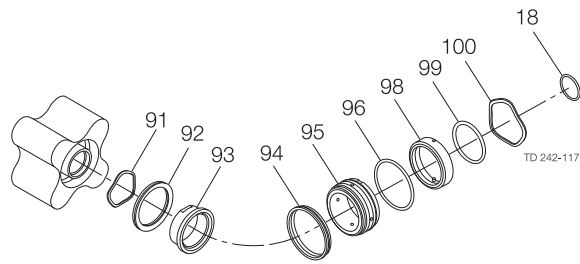
2 seals per pump. It is recommended to replace both sets of seals when wear dictates seal replacement.

The squad ring is replaced by a conventional 'o' ring if the pressure between the seal flush media and pump head discharge pressure is likely to exceed 5 bar.

Pos	Qty	Denomination	< 5 bar SX5 Item No.	> 5 bar SX5 Item No.
		Rotary Seal/Static Seal Ring. Inboard Seal: Silicon Carbide/Silicon Carbide. Outboard Seal: Carbon/Silicon Carbide, EPDM .....		
		Rotary Seal/Static Seal Ring. Inboard Seal: Silicon Carbide/Silicon Carbide. Outboard Seal: Carbon/Silicon Carbide, FPM .....		
		Rotary Seal/Static Seal Ring. Inboard Seal: Silicon Carbide/Silicon Carbide. Outboard Seal: Carbon/Silicon Carbide, Silicone .....		
		Rotary Seal/Static Seal Ring. Inboard Seal: Silicon Carbide/Silicon Carbide. Outboard Seal: Carbon/Silicon Carbide, EPDM .....		9630944085
		Rotary Seal/Static Seal Ring. Inboard Seal: Silicon Carbide/Silicon Carbide. Outboard Seal: Carbon/Silicon Carbide, FPM .....		
		Rotary Seal/Static Seal Ring. Inboard Seal: Silicon Carbide/Silicon Carbide. Outboard Seal: Carbon/Silicon Carbide, Silicone .....		
		Rotary Seal/Static Seal Ring. Inboard Seal: Silicon Carbide/Silicon Carbide. Outboard Seal: Carbon/Silicon Carbide, EPDM .....	9630950746	9630935628
		Rotary Seal/Static Seal Ring. Inboard Seal: Silicon Carbide/Silicon Carbide. Outboard Seal: Carbon/Silicon Carbide, FPM .....	9630856012	9630941115
		Rotary Seal/Static Seal Ring. Inboard Seal: Silicon Carbide/Silicon Carbide. Outboard Seal: Carbon/Silicon Carbide, Silicone .....	9630950747	9630950748
		Rotary Seal/Static Seal Ring. Inboard Seal: Silicon Carbide/Silicon Carbide. Outboard Seal: Carbon/Silicon Carbide, EPDM .....	9630921032	9630921033
		Rotary Seal/Static Seal Ring. Inboard Seal: Silicon Carbide/Silicon Carbide. Outboard Seal: Carbon/Silicon Carbide, FPM .....	9630950749	9630942465
		Rotary Seal/Static Seal Ring. Inboard Seal: Silicon Carbide/Silicon Carbide. Outboard Seal: Carbon/Silicon Carbide, Silicone .....	9630950750	9630950751

Pos	Qty	Denomination	< 5 bar SX6 Item No.	> 5 bar SX6 Item No.
		Rotary Seal/Static Seal Ring. Inboard Seal: Silicon Carbide/Silicon Carbide. Outboard Seal: Carbon/Silicon Carbide, EPDM .....	9630125328	9630125331
		Rotary Seal/Static Seal Ring. Inboard Seal: Silicon Carbide/Silicon Carbide. Outboard Seal: Carbon/Silicon Carbide, FPM .....		
		Rotary Seal/Static Seal Ring. Inboard Seal: Silicon Carbide/Silicon Carbide. Outboard Seal: Carbon/Silicon Carbide, Silicone .....		
		Rotary Seal/Static Seal Ring. Inboard Seal: Silicon Carbide/Silicon Carbide. Outboard Seal: Carbon/Silicon Carbide, EPDM .....		
		Rotary Seal/Static Seal Ring. Inboard Seal: Silicon Carbide/Silicon Carbide. Outboard Seal: Carbon/Silicon Carbide, FPM .....		
		Rotary Seal/Static Seal Ring. Inboard Seal: Silicon Carbide/Silicon Carbide. Outboard Seal: Carbon/Silicon Carbide, Silicone .....		
		Rotary Seal/Static Seal Ring. Inboard Seal: Silicon Carbide/Silicon Carbide. Outboard Seal: Carbon/Silicon Carbide, EPDM .....	9630864049	9630943670
		Rotary Seal/Static Seal Ring. Inboard Seal: Silicon Carbide/Silicon Carbide. Outboard Seal: Carbon/Silicon Carbide, FPM .....	9630950753	9630950754
		Rotary Seal/Static Seal Ring. Inboard Seal: Silicon Carbide/Silicon Carbide. Outboard Seal: Carbon/Silicon Carbide, Silicone .....	9630950755	9630950756
		Rotary Seal/Static Seal Ring. Inboard Seal: Silicon Carbide/Silicon Carbide. Outboard Seal: Carbon/Silicon Carbide, EPDM .....	9630095935	9630938776
		Rotary Seal Static Seal Ring. Inboard Seal: Silicon Carbide/Silicon Carbide. Outboard Seal: Carbon/Silicon Carbide, FPM .....	9630861723	9630950752
		Rotary Seal/Static Seal Ring. Inboard Seal: Silicon Carbide/Silicon Carbide. Outboard Seal: Carbon/Silicon Carbide, Silicone .....	9630950757	9630950758

Note: Q-Doc certification needs to be requested by order for mechanical seals



R00 Double Mechanical Seals (Complete) - SX5-7 Pump Models

Pos	Qty	Denomination	< 5 bar SX7 Item No.	> 5 bar SX7 Item No.
		Rotary Seal/Static Seal Ring. Inboard Seal: Carbon/Silicon Carbide. Outboard Seal: Carbon/Stainless Steel, EPDM .....	9630125329	9630125330
		Rotary Seal/Static Seal Ring. Inboard Seal: Carbon/Silicon Carbide. Outboard Seal: Carbon/Stainless Steel, FPM .....		
		Rotary Seal/Static Seal Ring. Inboard Seal: Carbon/Silicon Carbide. Outboard Seal: Carbon/Stainless Steel, Silicone .....		
		Rotary Seal/Static Seal Ring. Inboard Seal: Carbon/Silicon Carbide. Outboard Seal: Carbon/Silicon Carbide, EPDM .....		
		Rotary Seal/Static Seal Ring. Inboard Seal: Carbon/Silicon Carbide. Outboard Seal: Carbon/Silicon Carbide, FPM .....		
		Rotary Seal/Static Seal Ring. Inboard Seal: Carbon/Silicon Carbide. Outboard Seal: Carbon/Silicon Carbide, Silicone .....		
		Rotary Seal/Static Seal Ring. Inboard Seal: Silicon Carbide/Silicon Carbide. Outboard Seal: Carbon/Stainless Steel, EPDM .....	9630929982	9630950760
		Rotary Seal /Static Seal Ring. Inboard Seal: Silicon Carbide/Silicon Carbide. Outboard Seal: Carbon/Stainless Steel, FPM .....	9630950759	9630932745
		Rotary Seal/Static Seal Ring. Inboard Seal: Silicon Carbide/Silicon Carbide. Outboard Seal: Carbon/Stainless Steel, Silicone .....	9630950762	9630950763
		Rotary Seal/Static Seal Ring. Inboard Seal: Silicon Carbide/Silicon Carbide. Outboard Seal: Carbon/Silicon Carbide, EPDM .....	9630090029	9630950761
		Rotary Seal/Static Seal Ring. Inboard Seal: Silicon Carbide/Silicon Carbide. Outboard Seal: Carbon/Silicon Carbide, FPM .....	9630934151	9630936885
		Rotary Seal/Static Seal Ring. Inboard Seal: Silicon Carbide/Silicon Carbide. Outboard Seal: Carbon/Silicon Carbide, Silicone .....	9630950764	9630950765

Note: Q-Doc certification needs to be requested by order for mechanical seals

## 15 R00 Mechanical Seals (Parts) - SX1 and SX2 Pump Models

Pos	Qty	Denomination	SX1 Item No.	SX2 Item No.
<b>Parts for single R00 seals</b>				
18	2	O-Ring, rotor sealing shaft end, EPDM .....	9630127026	9630854853
	2	O-Ring, rotor sealing shaft end, FPM .....	9630022907	9630035241
	2	O-Ring, rotor sealing shaft end, Silicone .....	9630070311	9630126677
92	2	Squad Ring, EPDM .....	9630069434	9630069435
	2	Squad Ring, FPM .....	9630069440	9630069654
	2	Squad Ring, Silicone .....	9630069437	9630069438
93	2	Rotary Seal Ring, Carbon .....	9630075409	9630075423
	2	Rotary Seal Ring, Silicon Carbide .....	9630069795	9630069796
94	2	Cup Seal, EPDM .....	9630069424	9630069425
	2	Cup Seal, FPM .....	9630069429	9630069430
	2	Cup Seal, Silicone .....	9630069427	9630069428
95	2	Static Seal Ring, Stainless Steel .....	9630075411	9630075424
	2	Static Seal Ring, Silicon Carbide .....	9630069809	9630069810

### Additional parts to convert above R00 single seals to single flushed seals

95* note1	2	Static Seal Ring, Stainless Steel .....	9630075645	9630075646
	2	Static Seal Ring, Silicon Carbide .....	9630069802	9630069803
96	2	Static Seal Ring O-Ring, EPDM .....	9630127024	9630854460
	2	Static Seal Ring O-Ring, FPM .....	9630941125	9630023418
	2	Static Seal Ring O-Ring, Silicone .....	9630043327	9630074739
97	2	Lip Seal, FPM .....	9630075620	9630075621

Note 1: 95\* replaces 95 above.

Note 2: To convert to single flush seal also requires drg item no. 59 (elbow).

### Additional parts to convert above R00 single seals to double flushed seals

92*note 2	2	Rotary Seal Ring O-Ring, EPDM .....	9630071261	9630074754
	2	Rotary Seal Ring O-Ring, FPM .....	9630071246	9630074750
	2	Rotary Seal Ring O-Ring, Silicone .....	9630071260	9630074752
95*note 1	2	Static Seal Ring, Sil.Car (inboard) /St.Stl (outboard) .....	9630069817	9630069820
	2	Static Seal Ring, Sil.Car (inboard) /Sil.Car (outboard) .....	9630069816	9630069819
96	2	Static Seal Ring O-Ring, EPDM .....	9630127024	9630854460
	2	Static Seal Ring O-Ring, FPM .....	9630941125	9630023418
	2	Static Seal Ring O-Ring, Silicone .....	9630043327	9630074739
98	2	Rotary Seal Ring (outboard), Carbon .....	9630069832	9630069833
99	2	Rotary Seal Ring O-Ring, EPDM .....	9630127025	9630071238
	2	Rotary Seal Ring O-Ring, FPM .....	9630111351	9630071237
	2	Rotary Seal Ring O-Ring, MVQ .....	9630074749	9630071259

Note 1: 95\* replaces 95 above.

Note 2: The squad ring is replaced by a conventional O-ring if the pressure difference between the seal flush media and pump head discharge pressure is likely to exceed 5 bar (ie 92\* replaces 92 above).

Note 3: To convert to double seal also requires drg item no. 59 (elbow).

### Wave springs supplied with drg no. 93 and 98 rotary seal rings:

91	2	Wave Spring .....	9630075413	9630075425
100	2	Wave Spring .....	9630075414	9630075426

## 16 R00 Mechanical Seals (Parts) - SX3 and SX4 Pump Models

Pos	Qty	Denomination	SX3 Item No	SX4 Item No
<b>Parts for single R00 seals</b>				
18	2	O-Ring, rotor sealing shaft end, EPDM .....	9630854463	9630854854
	2	O-Ring, rotor sealing shaft end, FPM .....	9630865836	9630070327
	2	O-Ring, rotor sealing shaft end, Silicone .....	9630124023	9630105358
92	2	Squad Ring, EPDM .....	9630069433	9630069436
	2	Squad Ring, FPM .....	9630069442	9630069444
	2	Squad Ring, Silicone .....	9630069439	9630069443
93	2	Rotary Seal Ring, Carbon .....	9630075427	9630075431
	2	Rotary Seal Ring, Silicon Carbide .....	9630069797	9630069798
94	2	Cup Seal, EPDM .....	9630069421	9630069426
	2	Cup Seal, FPM .....	9630069423	9630069432
	2	Cup Seal, Silicone .....	9630069422	9630069431
95	2	Static Seal Ring, Stainless Steel .....	9630075428	9630075432
	2	Static Seal Ring, Silicon Carbide .....	9630069811	9630069812
<b>Additional parts to convert above R00 single seals to single flushed seals</b>				
95*note 1	2	Static Seal Ring, Stainless Steel .....	9630075647	9630075648
	2	Static Seal Ring, Silicon Carbide .....	9630069804	9630069805
96	2	Static Seal Ring O-Ring, EPDM .....	9630043509	9630038946
	2	Static Seal Ring O-Ring, FPM .....	9630865837	9630038945
	2	Static Seal Ring O-Ring, Silicone .....	9630858819	9630071262
97	2	Lip Seal, FPM .....	9630075622	9630075623
Note 1: 95* replaces 95 above.				
Note 2: To convert to single flush seal also requires drg item no.59 (elbow).				
<b>Additional parts to convert above R00 single seals to double flushed seals</b>				
92*note 2	2	Rotary Seal Ring O-Ring, EPDM .....	9630854467	9630929689
	2	Rotary Seal Ring O-Ring, FPM .....	9630941109	9630932210
	2	Rotary Seal Ring O-Ring, Silicone .....	9630074753	9630074760
95*note 1	2	Static Seal Ring, Sil.Car (inboard) / Sil.Car (outboard) .....	9630069822	9630069825
	2	Static Seal Ring, Sil.Car (inboard) / Sil.Car (outboard) .....	9630069821	9630069823
96	2	Static Seal Ring O-Ring, EPDM .....	9630854855	9630038946
	2	Static Seal Ring O-Ring, FPM .....	9630865837	9630038945
	2	Static Seal Ring O-Ring, Silicone .....	9630858819	9630071262
98	2	Rotary Seal Ring (outboard), Carbon .....	9630069834	9630069835
99	2	Rotary Seal Ring O-Ring, EPDM .....	9630071245	9630071265
	2	Rotary Seal Ring O-Ring, FPM .....	9630024187	9630071264
	2	Rotary Seal Ring O-Ring, Silicone .....	9630071239	9630071263
Note 1: 95* replaces 95 above.				
Note 2: The squad ring is replaced by a conventional O-ring if the pressure difference between the seal flush media and pump head discharge pressure is likely to exceed 5 bar (ie 92* replaces 92 above).				
Note 3: To convert to double seal also requires drg item no. 59 (elbow).				
<b>Wave springs supplied with drg no. 93 and 98 rotary seal rings:</b>				
91	2	Wave Spring .....	9630075429	9630075433
100	2	Wave Spring .....	9630075430	9630075434

## 17 R00 Mechanical Seals (Parts) - SX5 and SX6 Pump Models

Pos	Qty	Denomination	SX5 Item No	SX6 Item No
<b>Parts for single R00 seals</b>				
18	2	O-Ring, rotor sealing shaft end, EPDM .....	9630854855	9630854891
	2	O-Ring, rotor sealing shaft end, FPM .....	9630865837	9630111352
	2	O-Ring, rotor sealing shaft end, Silicone .....	9630858819	9630105357
92	2	Squad Ring, EPDM .....	9630069867	9630069870
	2	Squad Ring, FPM .....	9630069868	9630069872
	2	Squad Ring, Silicone .....	9630069869	9630069873
93	2	Rotary Seal Ring, Carbon .....	9630075435	9630075439
	2	Rotary Seal Ring, Silicon Carbide .....	9630069799	9630069800
94	2	Cup Seal, EPDM .....	9630069858	9630069859
	2	Cup Seal, FPM .....	9630069861	9630069863
	2	Cup Seal, Silicone .....	9630069862	9630069864
95	2	Static Seal Ring, Stainless Steel .....	9630075436	9630075440
	2	Static Seal Ring, Silicon Carbide .....	9630069813	9630069814

### Additional parts to convert above R00 single seals to double flushed seals

92*note 2	2	Rotary Seal Ring O-Ring, EPDM .....	9630854475	9630854489
	2	Rotary Seal Ring O-Ring, FPM .....	9630063121	9630941121
	2	Rotary Seal Ring O-Ring, Silicone .....	9630074762	9630074764
95*note 1	2	Static Seal Ring, Sil.Car (inboard) /St.Stl (outboard) .....	9630069827	9630069829
	2	Static Seal Ring, Sil.Car (inboard) /Sil.Car (outboard) .....	9630069826	9630069828
96	2	Static Seal Ring O-Ring, EPDM .....	9630941114	9630111355
	2	Static Seal Ring O-Ring, FPM .....	9630063125	9630111354
	2	Static Seal Ring O-Ring, Silicone .....	9630042618	9630074740
98	2	Rotary Seal Ring (outboard), Carbon .....	9630069836	9630069837
99	2	Rotary Seal Ring O-Ring, EPDM .....	9630941680	9630941114
	2	Rotary Seal Ring O-Ring, FPM .....	9630023448	9630063125
	2	Rotary Seal Ring O-Ring, Silicone .....	9630074742	9630042618

**Note 1:** 95\* replaces 95 above.

**Note 2:** The squad ring is replaced by a conventional O-ring if the pressure difference between the seal flush media and pump head discharge pressure is likely to exceed 8 bar (ie 92\* replaces 92 above).

**Note 3:** To convert to double seal also requires drg item no.18 (O-ring) and 59 (elbow).

### Wave springs supplied with drg no. 93 and 98 rotary seal rings:

91	2	Wave Spring .....	9630075437	9630075441
100	2	Wave Spring .....	9630075438	9630075442

Note: Q-Doc certification needs to be requested by order for mechanical seal parts



## 18 R00 Mechanical Seals (Parts) - SX7 Pump Models

Pos	Qty	Denomination	SX7 Item No
<b>Parts for single R00 seals</b>			
18	2	O-Ring, rotor sealing shaft end, EPDM .....	9630854473
	2	O-Ring, rotor sealing shaft end, FPM .....	9630941123
	2	O-Ring, rotor sealing shaft end, Silicone .....	9630124024
92	2	Squad Ring, EPDM .....	9630069871
	2	Squad Ring, FPM .....	9630069875
	2	Squad Ring, Silicone .....	9630069874
93	2	Rotary Seal Ring, Carbon .....	9630075446
	2	Rotary Seal Ring, Silicon Carbide .....	9630069801
94	2	Cup Seal, EPDM .....	9630069860
	2	Cup Seal, FPM .....	9630069865
	2	Cup Seal, Silicone .....	9630069866
95	2	Static Seal Ring, Stainless Steel .....	9630075447
	2	Static Seal Ring, Silicon Carbide .....	9630069815

### Additional parts to convert above R00 single seals to double flushed seals

92*note 2	2	Rotary Seal Ring, O-Ring, EPDM .....	9630929690
	2	Rotary Seal Ring, O-Ring, FPM .....	9630074759
	2	Rotary Seal Ring, O-Ring, Silicone .....	9630074765
95*note 1	2	Static Seal Ring, Sil.Car (inboard) /St.Stl (outboard) .....	9630069831
	2	Static Seal Ring, Sil.Car (inboard) /Sil.Car (outboard) .....	9630069830
96	2	Static Seal Ring, O-Ring, EPDM .....	9630857065
	2	Static Seal Ring, O-Ring, FPM .....	9630037183
	2	Static Seal Ring, O-Ring, Silicone .....	9630043332
98	2	Rotary Seal Ring (outboard), Carbon .....	9630069538
99	2	Rotary Seal Ring O-Ring, EPDM .....	9630854451
	2	Rotary Seal Ring O-Ring, FPM .....	9630941124
	2	Rotary Seal Ring O-Ring, Silicone .....	9630074743

**Note 1:** 95\* replaces 95 above.

**Note 2:** The squad ring is replaced by a conventional O-ring if the pressure difference between the seal flush media and pump head discharge pressure is likely to exceed 8 bar (ie 92\* replaces 92 above).

**Note 3:** To convert to double seal also requires drg item no.18 and 59.

### Wave springs supplied with drg no. 93 and 98 rotary seal rings:

91	2	Wave Spring .....	9630075444
100	2	Wave Spring .....	9630075445

Note: Q-Doc certification needs to be requested by order for mechanical seal parts

## 19 SX ATEX Parts

Pos	Qty	Denomination	Item No.	
8	1	Shim - stainless steel, SX1 .....	9630034304	
	set			
	1	Shim - stainless steel, SX2 .....	9630034201	
	set			
	1	Shim - stainless steel, SX3 .....	9630034030	
	set			
	1	Shim - stainless steel, SX4 .....	9630033704	
	set			
	1	Shim - stainless steel, SX5 .....	9630033411	
	set			
	1	Shim - stainless steel, SX6 .....	9630033392	
	set			
	1	Shim - stainless steel, SX7 .....	tba	tba
	set			
46	1	Sight glass .....	9630855435	
47	1	Filler plug .....	9630105171	
50	2	Gland guard, SX1 .....	9630111575	
	2	Gland guard, SX2 .....	9630111576	
	2	Gland guard, SX3 .....	9630111577	
	2	Gland guard, SX4 .....	9630111562	
	2	Gland guard, SX5 .....	9630111644	
	2	Gland guard, SX6 .....	9630111645	
	2	Gland guard, SX7 .....	9630111646	
95	1	Stationary seal ring with thermocouple SX1 .....	tba	tba
	1	Stationary seal ring with thermocouple SX2 .....	tba	tba
	1	Stationary seal ring with thermocouple SX3 .....	9630863493	
	1	Stationary seal ring with thermocouple SX4 .....	tba	tba
	1	Stationary seal ring with thermocouple SX5 .....	tba	tba
	1	Stationary seal ring with thermocouple SX6 .....	tba	tba
	1	Stationary seal ring with thermocouple SX7 .....	tba	tba
101	1	Hermocouple clamp plate SX1 .....	tba	tba
	1	Hermocouple clamp plate SX2 .....	tba	tba
	1	Hermocouple clamp plate SX3 .....	9630921042	
	1	Hermocouple clamp plate SX4 .....	tba	tba
	1	Hermocouple clamp plate SX5 .....	tba	tba
	1	Hermocouple clamp plate SX6 .....	tba	tba
	1	Hermocouple clamp plate SX7 .....	tba	tba
102	2	Screw, thermocouple clamp plate SX1 .....	tba	tba
	2	Screw, thermocouple clamp plate SX2-3 .....	9630021076	
	2	Screw, thermocouple clamp plate SX4-7 .....	tba	tba
103	1	Plastic bush SX1-7 .....	9630855571	
104	1	Screw, bush locking SX1-7 .....	9630863216	
	1	Stud, earthing, SX1 .....	9630105360	
	1	Stud, earthing, SX2-4 .....	9630105362	
	1	Stud, earthing, SX5-7 .....	9630105360	
	2	Nut, earthing stud .....	9630024057	
	2	Washer, lock .....	9630105264	
	1	Earth bonding cable .....	9630105267	
	2	Terminal copper tube .....	9630105435	
	1	Earth bonding tag .....	9630105614	

## 20 Revision History - SX Pump

Issue	Ref	Date	Description
	-	1999	SX range introduced and replaces SK MKII.
1999-09	TM	01-09-1999	New manual issue 1 ref SPM703/01
1.01	CH	17-11-2000	Pump drg item no 14A (gasket) deleted. The gaskets are no longer available and silicone sealant (item Z3717.0001) is used.
1.02	CH	17-11-2000	SX1-3 Drg. Item no. 45 revised from part number 5470.001 item 9630024417 to part number 1660.004 item 9630023546.
1.03	CH	17-11-2000	SX4-7 Drg. Item no. 45 revised from part number 5470.003 item 9630040436 to part number 1660.008 item 9630023548.
1.04	CH5827	17-11-2000	SX1-4 Drg Item no. 49 universal mounting blanking plug (qty=4) added. SX1 part number 5470.022 item 9630089950 SX2-3 part number 5470.020 item 9630087278 SX4 part number 5470.021 item 9630089949
1.05	CH10543	07-01-2002	Item numbers of rotorcases revised.
1.06		01-11-2002	SX1 Drg. Item no. 3 corrected to Qty 4 off part number 6350.146 item 9630074135 (SX1/005) and Qty 4 off part number 6350.135 item 9630052259 (SX1/007).
1.07		01-11-2002	SX1 Drg. Item no. 10 deleted (SX1/005) and part number corrected (SX1/007) to 6350.135 item 9630052259.
1.08		01-11-2002	SX3 Drg. Item no 18 corrected from part number 5380.569 item 9630057521 to part number 1551.020 item
1.09		01-11-2002	SX1-4 Drg Item no. for foot, foot gasket, and bolt renumbered from 1B, 1A, and 1C to 54-58.
1.10		01-11-2002	SX1-7 Drg Item no. 50-53 details of gland guards and fixings added.
1.11		01-11-2002	SX1-7 Drg Item no. 49 rotor retainer removal tool renumbered from 49 to 60.
1.12		01-11-2002	SX1-7 Drg Item no. 59 details of rotorcase blanking plugs and flush connections added.
1.13		01-11-2002	SX1-7 Drg Item no. 48 details of plug added.
1.14		01-11-2002	SX7 Drg Item no. 18 FPM corrected from part number 1551.230 item 9630023447 to part number 5380.248 item 9630025398.
1.15		01-11-2002	SX7 Drg Item no. 18 EPDM corrected from part number 1555.230 item 9630023537 to part number 5380.250 item 9630025437.
1.16		01-11-2002	R00 Double seal option Carbon/Stainless Steel v Carbon/Stainless Steel deleted.
1.17		01-11-2002	R00 Single mechanical seal drg item no. 1 wave spring indicated separately as it is always supplied with drg item no. 3 rotary face.
1.18		01-11-2002	SX2 R00 Single flushed mechanical seal drg item no. 5 corrected from part number R5630.122 item 9630069810 to part R5630.112 item 9630069803.
1.19		01-11-2002	SX1 R00 Single flushed mechanical seal drg item no. 6 corrected from part number 1555.123 to part number 1555.123.
1.20		01-11-2002	R00 Single flushed mechanical seal drg item no. 8 circlip deleted.
1.21		01-11-2002	R00 Double mech seal drg item no. 9 deleted.
1.22		01-11-2002	R00 Double mechanical seal drg item no. 10 wave spring indicated separately as it is always supplied with drg item no. 7 rotary face.
2	0211	01-11-2002	NEW MANUAL SX
2.01	CH10670	25-02-2003	Drg. No 18 'O' ring revised to be included in all pump specifications instead of only when flushed seals fitted.
2.02		01-10-2003	SX1 Rotary Seal 'O' Ring Drg Item no. 8 EPDM corrected from part number 5380.146 to part number 5380.416
2.03		01-10-2003	SX3 Rotary Seal Ring Drg Item no. 7 corrected from part number R5610.133 to part number R5610.133
2.04	CH10716	01-10-2003	SX1-4 Vertcally ported (H) gearcase removed (part numbers 5220.521, 5220.522, 5220.523 and 5220.524
2.05	CH10722	17-11-2003	SX4 Rotary Seal 'O' Ring Drg Item no. 2 for Double R00 corrected from part number 5380.681 to part number 1551.330
2.06	CH10722	17-11-2003	SX6 Rotary Seal 'O' Ring Drg Item no. 2 for Double R00 corrected from part number 5380.682 to part number 5380.652
2.07	CH10722	17-11-2003	SX1 Rotary Seal 'O' Ring Drg Item no. 8 for Double R00 corrected from part number 5380.319 to part number 5380.753
2.08	CH10722	17-11-2003	SX6 Stationary Seal 'O' Ring Drg Item no. 6 for Single Flushed R00 corrected from part number 1551.238 to part number 5380.756
2.09	CH10722	17-11-2003	SX6 Stationary Seal 'O' Ring Drg Item no. 6 for Single Flushed R00 corrected from part number 1555.238 to part number 5380.757
2.10	CH10722	17-11-2003	SX6 Rotor Sealing 'O' Ring Drg Item no. 18 corrected from part number 1551.141 to part number 5380.754
2.11	CH10722	17-11-2003	SX6 Rotor Sealing 'O' Ring Drg Item no. 18 corrected from part number 1555.141 to part number 5380.755
2.12	CH10704	30-06-2004	Shim retainer part numbers changed - SX1 from 6150.281 to 6150.261, SX2 from 6150.282 to 6150.312, SX3 from 6150.283 to 6150.313, SX4 from 6150.284 to 6150.314, SX5 from 6150.285 to 6150.315 and SX6 from 6150.286 to 6150.266 - SX7 unchanged.
2.13	CH10704	23-07-2004	Shim set part numbers changed - SX1 from 6150.291 to 6150.150, SX2 from 6150.292 to 6150.152, SX3 from 6150.293 to 6150.154, SX4 from 6150.294 to 6150.156, SX5 from 6150.295 to 6150.158 and SX6 from 6150.296 to 6150.160 - SX7 unchanged.
3	0503	01-03-2005	Manual updated to include latest R00 seal drawings and parts list.
3.01	CH10783	01-03-2005	Various rotor clearance options removed (SX1/007 - 5780.007C, SX2/013 - 5780.013K, SX2/018 - 5780.018C, SX3/027 - 5780.027K, SX3/035 - 5780.035C and SX4/046 - 5780.046K).

## 20 Revision History - SX Pump

3.02	CH-10978	16-02-2006	Rotor Sealing 'O' Ring Drg Item no. 18 added to mechanical seal kits - seal drawings changed appropriately.
3.03	CH10984	16-02-2006	SX Rotor part numbers changed to reflect 3.1 traceability as standard.
3.04		22-02-2006	Electropolished parts added.
3.05	CH-10866	23-02-2006	USP Class VI description added to EPDM elastomers.
3.06		23-02-2006	Cover/Rotor Seal Kits added.
3.07	CH-10952	23-02-2006	Part numbers for Rotor TLA Clamp Tool added for SX6-7.
3.08		28-02-2006	ATEX parts added.
3.09	CH-10702	28-02-2006	Feet gaskets removed SX1-4. Exploded view drawings amended.
3.10	CH-10847	28-02-2006	SX3 Vertically ported foot part number changed from 5225.403 to 5225.413. SX3 Gearcase part number changed from 5220.513 to 5220.353

## 20 Revision History - SX Pump

Issue	Ref	Date	Description
4	0603	01-03-2006	NEW ISSUE
4.01	CH-10895	28-08-2006	USP Class VI description added to MVQ rotor sealing shaft end elastomers. Part numbers for same elastomers changed SX2-7 (SX2 - 1554.018 now 5380.775, SX3 - 1554.020 now 5380.758, SX4 - 1554.027 now 5380.751, SX5 - 1554.134 now 5380.823, SX6 - 1554.141 no
4.02	-	22-06-2007	Note added to advise of 3.1 Traceability and Electropolished Certification.
4.03		07-07-2008	Service Kits added to include Cover/Sealing Kits and R00 Single Mechanical Seals.
4.04	CH-11257	02-03-2011	SX3 ATEX Thermocouple parts added.
4.05	CH-11322	02-03-2011	SX1-4 gland guard washer part number changed.
4.06	CH-11414	02-03-2011	SX5-7 single flushed mechanical seals removed.
5.00	1103	02-03-2011	NEW ISSUE
5.01	CH-10866	13-07-2011	Flushed seal 'o' ring part numbers changed - SX3 from 1555.325 to 1556.325, SX4 from 1555.330 to 1556.330, SX5 from 1555.335 to 1556.335, SX6 from 1555.339 to 1556.339, and SX7 from 1555.244 to 1556.244 and 1555.344 to 1556.344.
5.02	CH-10867	13-07-2011	USP Class VI description added to FPM elastomers. Flushed seal 'o' ring part numbers changed - SX3 from 1551.325 to 31494.5001.2, SX4 from 1551.330 to 5380.857, SX5 from 1551.335 to 31497.5001.2, and SX6 from 5380.652 to 1551.339.
5.03	CH-11460	13-07-2011	SX3 clamp plate screw part number 5990.007 replaced by 5990.005
5.04	CH-11223	20-10-2014	Horizontally ported option introduced on SX5 and SX6. Drg No. 1 Gearcase, drg No 35 Lip seal upper chamber, and drg no. 50 gland guard details updated..
5.05	CH-11615	20-10-2014	SX6 and SX7 Rotor torque locking assembly material revised, part no. revised from 5615.000 to 5615.022, item no. 9630024451 to 9630938853.
5.06	CH-11635	20-10-2014	Drg No. 53 rubber washer Part 31499.5903.3 item 9630039001 added for retaining gland guards SX5-7.
5.07	CH-11414	20-10-2014	SX5-7 single flushed mechanical seals added as only discontinued for new pump sales.
5.08	CH-11678	20-10-2014	Drg No 18 O ring revised - SX2 1551.018 to 5380.711, SX3 1551.020 to 5380.842, SX5 1551.134 to 5380.843, SX7 5380.248 to 5380.902. Drg No 92 O ring revised - SX3 31494.5001.2 to 5380.900, SX5 31497.5001.2 to 5380.651, SX6 1551.339 to 5380.901. Drg No 96 O ring revised - SX1 1555.123 to 5380.819, 1551.123 to 5380.904, SX2 1555.131 to 1556.131, SX3 1555.134 to 1556.134, 1551.134 to 5380.843, 1554.134 to 5380.823, SX4 1555.144 to 1556.144, SX5 1555.234 to 1556.234, 1551.234 to 5380.654. Drg No 99 O ring revised - SX1 5380.416 to 5380.820, SX5 1555.231 to 1556.231, SX7 1555.239 to 1556.239, 1551.239 to 5380.903.
5.09	CH-11817	20-10-2014	3.1 metal parts revised to supply with Q-Doc as standard. Service kits revised to supply with Q-Doc as standard. Mechanical seal kits and mechanical seal parts certification remains as order requested but revised to Q-Doc. (USP Class VI elastomers and elastomer kits are supplied individually bagged with certificate and traceability details on item label.)
5.10		20-10-2014	Service kit section expanded to include all options.
5.11		20-10-2014	MVQ elastomers revised description to Silicone (specification unchanged).
5.12		20-10-2014	Item no SX5 drive shaft corrected from 9630073091 to 9630073081.
6.00	1411	01-11-2014	NEW ISSUE
6.01	CH-12053	01-05-2017	Introduction of universal gearbox for SX5 and SX6. Part numbers changed for gearcase, gearcase cover, gland guards, gland guard screws and gland guard washers. Lip seal Pos No.35, qty changed to 2. Feet and bolts added.
6.02	CH-12120	18-10-2017	For SX5 and SX6, the gearbox lip seal Pos No.35 now removed. Qty of drain plug Pos No.45, sight glass Pos No.46 and filler plug Pos No.47 amended. Exploded view drawings amended.
6.03	CH-12108	01-11-2017	Introduction of universal gearbox for SX7. Part numbers changed for gearcase, gearcase cover, gland guards, gland guard screws and gland guard washers. Feet and bolts added. Exploded view drawing amended.
7.00	1711	01-11-2017	NEW ISSUE
7.01	CH-12136	01-02-2018	Electropolished and USP Class VI elastomer options removed.

**How to contact Alfa Laval**

Contact details for all countries are continually updated on our website.

Please visit [www.alfalaval.com](http://www.alfalaval.com) to access the information directly.

© Alfa Laval Corporate AB

This document and its contents is owned by Alfa Laval Corporate AB and protected by laws governing intellectual property and thereto related rights. It is the responsibility of the user of this document to comply with all applicable intellectual property laws. Without limiting any rights related to this document, no part of this document may be copied, reproduced or transmitted in any form or by any means (electronic, mechanical, photocopying, recording, or otherwise), or for any purpose, without the expressed permission of Alfa Laval Corporate AB. Alfa Laval Corporate AB will enforce its rights related to this document to the fullest extent of the law, including the seeking of criminal prosecution.