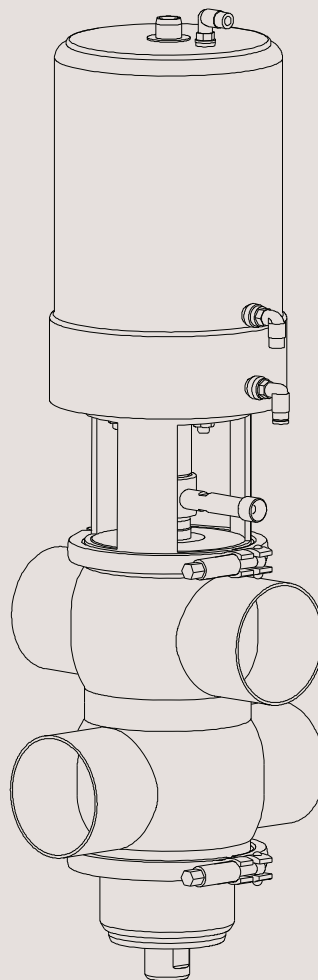




Spare Parts

Unique Mixproof Valve



TD 449-006_1

ESE00912-EN14 2022-09

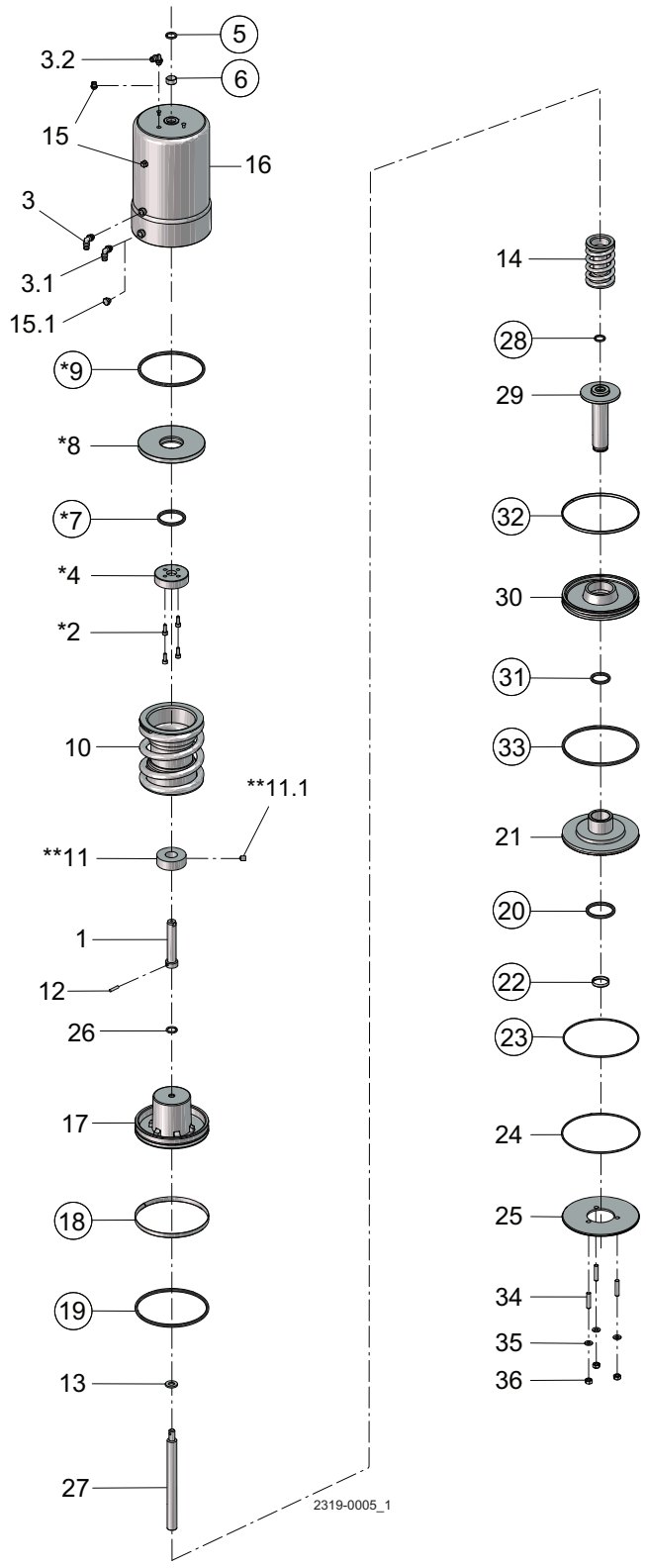
Original manual

The information herein is correct at the time of issue but may be subject to change without prior notice

1. Introduction	4
2. Actuator	6
3. Plug setup overview and sectional drawings	10
4. Plug setup 1	16
5. Plug setup 2	20
6. Plug setup 3	24
7. Plug setup 4	28
8. Plug setup 5	32
9. Plug setup 6	36
10. Plug setup 7	40
11. Plug setup 8	44
12. Plug setup 9	48
13. Plug setup 10	52
14. Plug setup 11	56
15. Plug setup 12	60
16. Plug setup 13	64
17. Plug setup 14	68
18. Plug setup 15	72
19. Plug setup 16	76
20. Valve body	80
21. Installation kit B	84
22. Installation kit C	86
23. Installation kit G	88
24. Installation kit H and B	90
25. Axial installation tool	92
26. Radial installation tool	94

Thank you for choosing an Alfa Laval product. Due to the modular design of the Unique Mixproof valve this spare part document is divided into 4 main categories: actuator, plug setup (product wetted parts), valve bodies, and installation tools.

1. **Actuator**, covers the spare parts for all size actuators with an exploded view of the actuator and detailed spare part listing. Service kits are available for the actuator wear parts and the components included in the kits are denoted with a circle around the position number on the exploded view. A table for completed actuators by size and function is also shown for replacement or spare actuators
2. **Plug setup**, is broken into two sections: plug setup overview and product wetted parts. The plug setup overview enables the customer to easily find the plug setup of the purchased valve and lists the page number of the components for the given plug setup. All of the product wetted parts are shown in an exploded view and listed by valve size. Mixed sized valves are not included in the plug setup section. For more information on the mixed valves please use configurator in Alfa Laval Anytime or contact your local Authorized Alfa Laval Distributor. Service kits for wear parts are available per size for all types of valves including mixed sized valves and the components in the kit are denoted with a circle around the position number in the exploded view.
3. **Valve bodies**, lists the part numbers for replacement housings. Mixed sized housings are not included in the valve bodies section. For more information on the mixed housings please use configurator in Alfa Laval Anytime or contact your local Authorized Alfa Laval Distributor. You will also find the intermediate pieces in this section.
4. **Installation tools**, lists the part numbers for the seat installation tools. These tools enable the customer to install the plug seat seals in an efficient and effortless manner by use of compressed air. For more information regarding the use of the tools please refer to the instruction manual or contact your local Authorized Alfa Laval Distributor.

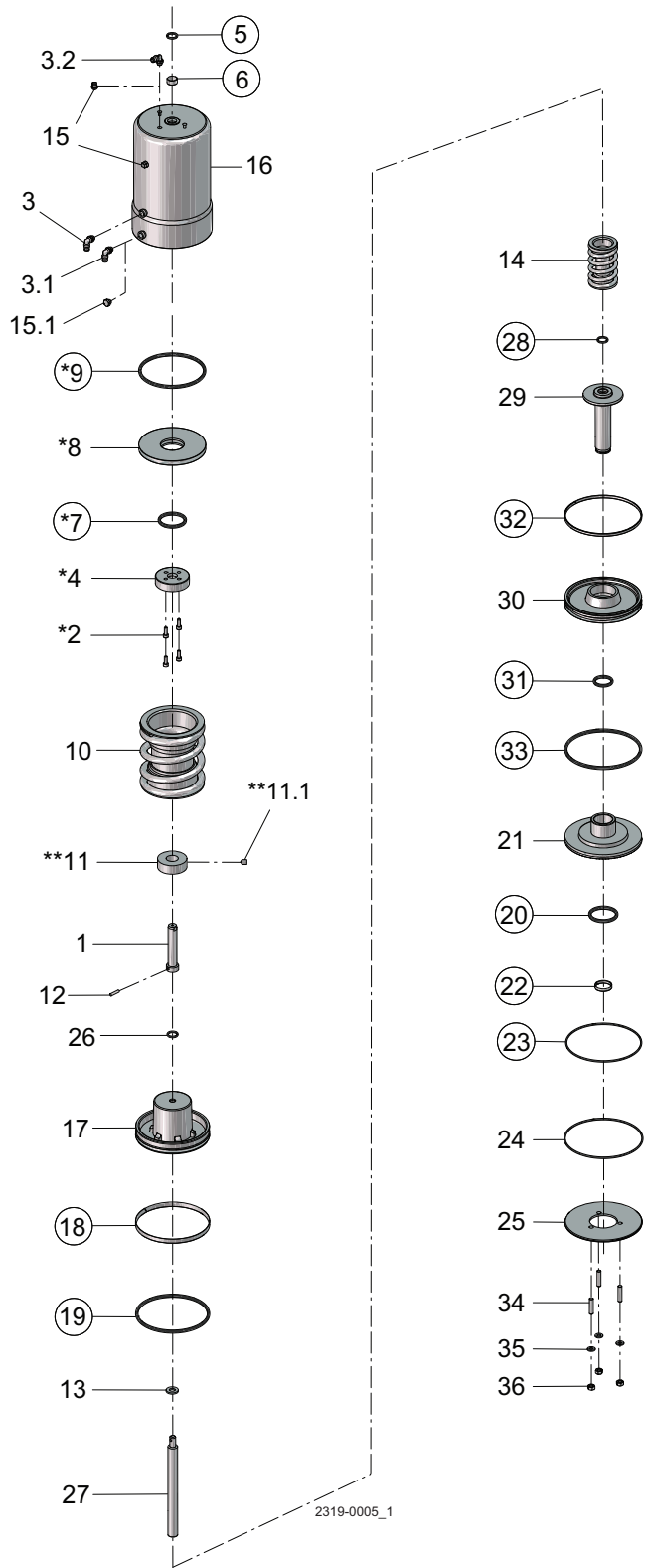


○ = actuator service kit
 * = not used in actuator 1½" - 2"
 ** = not used in actuator 2½", 3", 4 and 6"

Actuator

Pos	Qty	Denomination	DN/OD 38	DN/OD 51	DN/OD 63.5	DN/OD 63.5
			DN40	DN 50	DN 65	DN 80
			Seat ø53.3	Seat ø53.3	Seat ø81.3	Seat ø81.3
			(Unbalanced lower plug)			
1	1	Upper stem	9613010102	9613010102	9613007401	9613007402
2	4	Screw			9611993342	9611993342
3	1	Air fitting	9611991988	9611991988	9611991988	9611991988
3.1	1	Air fitting	9611991988	9611991988	9611991988	9611991988
3.2	1	Air fitting	9611991988	9611991988	9611991988	9611991988
4	1	Stop for upper piston			9613005301	9613005302
5	□	O-ring, NBR	9611993499	9611993499	9611993499	9611993499
6	□	Guide ring, Turcite	9613008408	9613008408	9613008408	9613008408
7	□	O-ring, NBR			9611993514	9611993514
8	1	Upper piston			9613005601	9613005602
9	□	O-ring, NBR			9611993512	9611993513
10	1	Spring assembly	9613012501	9613012501	9613007501	9613025602
11	1	Distance spacer	9613010202	9613010202		9613010204
11.1	1	Screw	9611991763	9611991763		
12	1	Pin	9611994197	9611994197	9611994198	9611994199
13	1	Washer	9611993594	9611993594	9611993595	9611993596
14	1	Spring assembly	9613013101	9613013101	9613009502	9613009502
15	1	Plug	9613414101	9613414101	9613414101	9613414101
15.1	1	Plug	9611993709	9611993709	9611993709	9611993709
17	1	Main piston	9613013201	9613013201	9613005701	9613015901
18	□	Guide ring, Turcite	9613008409	9613008409	9613008410	9613008411
19	□	O-ring, NBR	9611993505	9611993505	9611993507	9611993509
20	□	O-ring, NBR	9611993503	9611993503	9611993607	9611993607
21	1	Bottom	9613014001	9613014001	9613005401	9613016801
22	□	Guide ring, Turcite	9613008403	9613008403	9613008404	9613008404
23	□	O-ring, NBR	9611992228	9611992228	9611991489	22340675
24	1	Retaining ring	9613024802	9613024802	9613024803	9613024804
25	1	Cover disk	9613005802	9613005802	9613005803	9613005804
26	1	O-ring, NBR	9611993528	9611993528	9611993495	9611993530
27	1	Inner stem	9613010602	9613010602	9613007301	9613007304
28	□	O-ring	9611993495	9611993495	9611990030	9611990030
29	1	Piston rod	9613013401	9613013401	9613006001	9613006001
30	1	Lower piston	9613013801	9613013801	9613005501	9613016601
31	□	O-ring, NBR	42153	42153	42153	42153
32	□	Guide ring, Turcite	9613008405	9613008405	9613008406	9613008407
33	□	O-ring, NBR	22341275	22341275	9611993508	9611993510
34	3	Bolt	9611993618	9611993618	9611993618	9611993618
35	3	Washer	9611993594	9611993594	9611993594	9611993594
36	3	Nut	9611990360	9611990360	9611990360	9611990360
			DN/OD 38	DN/OD 51	DN/OD 63.5	DN/OD 63.5
			DN40	DN 50	DN 65	DN 80
			Seat ø53.3	Seat ø53.3	Seat ø81.3	Seat ø81.3
			(Unbalanced lower plug)			
□		Actuator service kit	9611926414	9611926414	9611926415	9611926416

Parts marked with □ are included in the service kit.



- = actuator service kit
- * = not used in actuator 1½" - 2"
- ** = not used in actuator 2½", 3", 4 and 6"

Actuator

Pos	Qty	Denomination	#2	#2	#1	#1	DN 125	DN 150
			DN/OD 101.6	DN/OD 101.6	DN/OD 101.6	DN/OD 101.6	DN 125	DN 150
			Seat ø100.3	Seat ø100.3 unbalanced lower plug	Seat ø115.3	Seat ø115.3 unbalanced lower plug	Seat ø115.3	Seat ø115.3 unbalanced lower plug
1	1	Upper stem	9613007402	9613007404	9613007402	9613007404	9613007402	9613007404
2	4	Screw	9611993342	9611993342	9611993342	9611993342	9611993342	9611993342
3	1	Air fitting	9611991988	9611991988	9611991988	9611991988	9611991988	9611991988
3.1	1	Air fitting	9611991988	9611991988	9611991988	9611991988	9611991988	9611991988
3.2	1	Air fitting	9611991988	9611991988	9611991988	9611991988	9611991988	9611991988
4	1	Stop for upper piston	9613005302	9613005302	9613005302	9613005302	9613005302	9613005302
5	□	O-ring, NBR	9611993499	9611993499	9611993499	9611993499	9611993499	9611993499
6	1	Guide ring, Turcite	9613008408	9613008408	9613008408	9613008408	9613008408	9613008408
7	□	O-ring, NBR	9611993514	9611993514	9611993514	9611993514	9611993514	9611993514
8	1	Upper piston	9613005602	9613005602	9613005602	9613005602	9613005602	9613005602
9	□	O-ring, NBR	9611993513	9611993513	9611993513	9611993513	9611993513	9611993513
10	1	Spring assembly	9613025603	9613025601	9613025603	9613025601	9613025603	9613025601
11	1	Distance spacer		9613010207		9613010207		9613010207
12	1	Pin	9611994199	9611994199	9611994199	9611994199	9611994199	9611994199
13	1	Washer	9611993596	9611993596	9611993596	9611993596	9611993596	9611993596
14	1	Spring assembly	9613009502	9613009502	9613009502	9613009502	9613009502	9613009502
15	1	Plug	9613414101	9613414101	9613414101	9613414101	9613414101	9613414101
15.1	1	Plug	9611993709	9611993709	9611993709	9611993709	9611993709	9611993709
17	1	Main piston	9613015901	9613015901	9613015901	9613015901	9613015901	9613015901
18	1	Guide ring, Turcite	9613008411	9613008411	9613008411	9613008411	9613008411	9613008411
19	□	O-ring, NBR	9611993509	9611993509	9611993509	9611993509	9611993509	9611993509
20	□	O-ring, NBR	9611993607	9611993607	9611993607	9611993607	9611993607	9611993607
21	1	Bottom	9613016801	9613016801	9613016801	9613016801	9613016801	9613016801
22	1	Guide ring, Turcite	9613008404	9613008404	9613008404	9613008404	9613008404	9613008404
23	□	O-ring, NBR	22340675	22340675	22340675	22340675	22340675	22340675
24	1	Retaining ring	9613024804	9613024804	9613024804	9613024804	9613024804	9613024804
25	1	Cover disk	9613005804	9613005804	9613005804	9613005804	9613005804	9613005804
26	1	O-ring, NBR	9611993530	9611993530	9611993530	9611993530	9611993530	9611993530
27	1	Inner stem	9613007302	9613007302	9613007302	9613007302	9613007302	9613007302
28	□	O-ring	9611990030	9611990030	9611990030	9611990030	9611990030	9611990030
29	1	Piston rod	9613006002	9613006002	9613006002	9613006002	9613006002	9613006002
30	1	Lower piston	9613016601	9613016601	9613016601	9613016601	9613016601	9613016601
31	□	O-ring, NBR	42153	42153	42153	42153	42153	42153
32	1	Guide ring, Turcite	9613008407	9613008407	9613008407	9613008407	9613008407	9613008407
33	□	O-ring, NBR	9611993510	9611993510	9611993510	9611993510	9611993510	9611993510
34	3	Bolt	9611993618	9611993618	9611993618	9611993618	9611993618	9611993618
35	3	Washer	9611993594	9611993594	9611993594	9611993594	9611993594	9611993594
36	3	Nut	9611990360	9611990360	9611990360	9611990360	9611990360	9611990360

			#2	#2	#1	#1	DN 125	DN 150
			DN/OD 101.6	DN/OD 101.6	DN/OD 101.6	DN/OD 101.6	DN 125	DN 150
			Seat ø100.3	Seat ø100.3 unbalanced lower plug	Seat ø115.3	Seat ø115.3 unbalanced lower plug	Seat ø115.3	Seat ø115.3 unbalanced lower plug
□		Actuator service kits	9611926416	9611926416	9611926416	9611926416	9611926416	9611926416

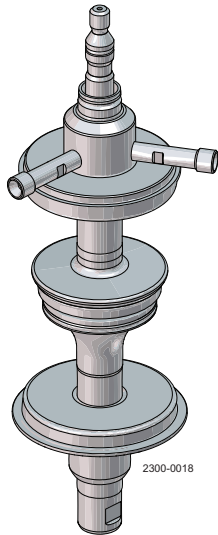
Parts marked with □ are included in the service kit.

#1 = Serial no. below 1030000 - manufactured before October 1st 2003

#2 = Serial no. above 1030000 - manufactured after October 1st 2003

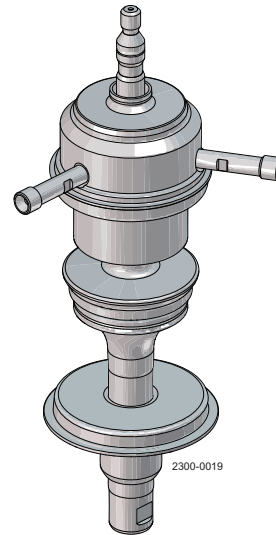
3 Plug setup overview and sectional drawings

Plug setup 1



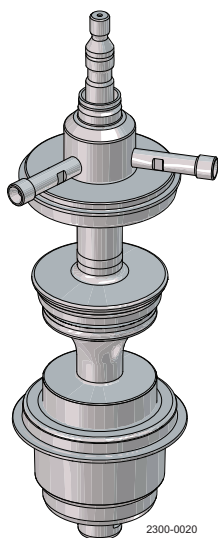
Upper: Unbalanced with CIP OD spindle
Lower: Unbalanced
See page 16

Plug setup 2



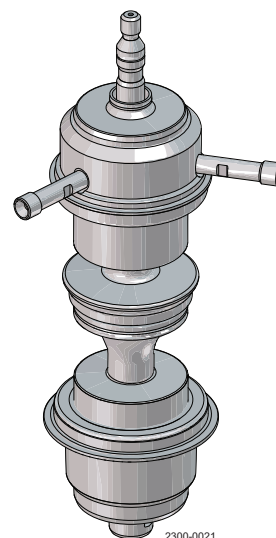
Upper: Balanced with CIP OD balancer
Lower: Unbalanced
See page 20

Plug setup 3



Upper: Unbalanced with CIP OD spindle
Lower: Balanced (blue bottom)
See page 24

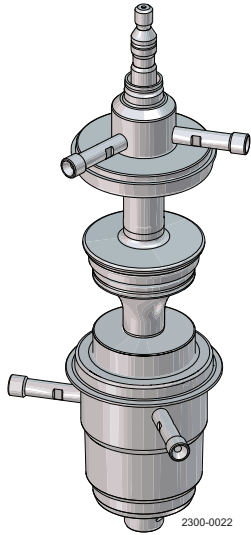
Plug setup 4



Upper: Balanced with CIP OD balancer
Lower: Balanced (blue bottom)
See page 28

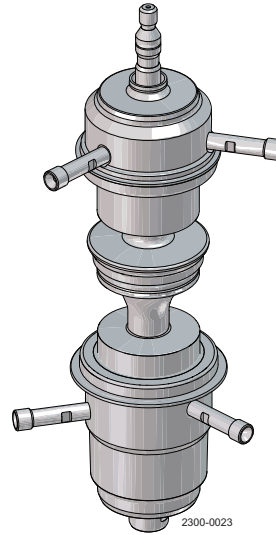
3 Plug setup overview and sectional drawings

Plug setup 5



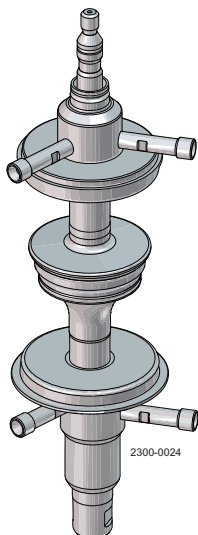
Upper: Unbalanced with CIP OD spindle
Lower: Balanced with CIP OD balancer (blue bottom)
See page 32

Plug setup 6



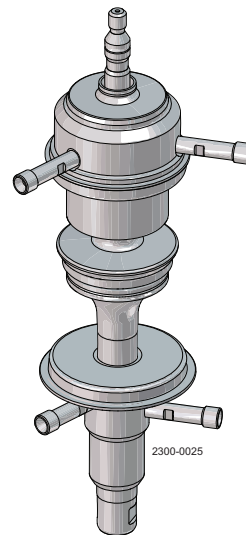
Upper: Balanced with CIP OD balancer
Lower: Balanced with CIP OD balancer (blue bottom)
See page 36

Plug setup 7



Upper: Unbalanced with CIP OD spindle
Lower: Unbalanced with CIP OD spindle
See page 40

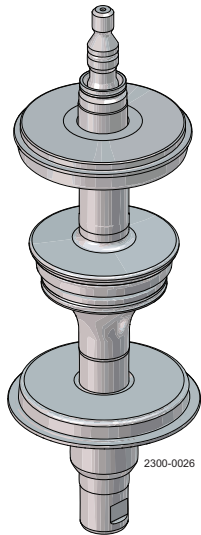
Plug setup 8



Upper: Balanced with CIP OD balancer
Lower: Unbalanced with CIP OD spindle
See page 44

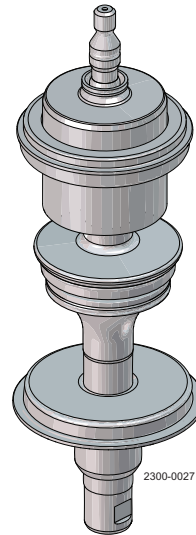
3 Plug setup overview and sectional drawings

Plug setup 9



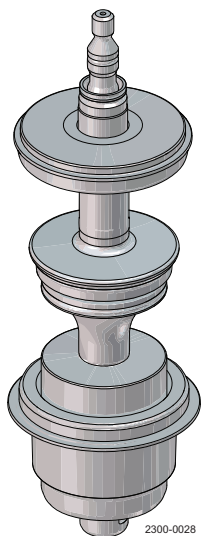
Upper: Unbalanced
Lower: Unbalanced
See page 48

Plug setup 10



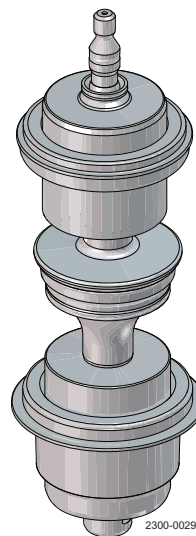
Upper: Balanced
Lower: Unbalanced
See page 52

Plug setup 11



Upper: Unbalanced
Lower: Balanced (blue bottom)
See page 56

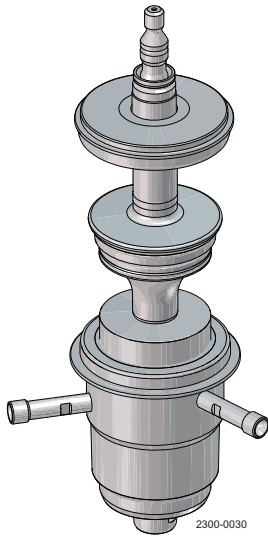
Plug setup 12



Upper: Balanced
Lower: Balanced (blue bottom)
See page 60

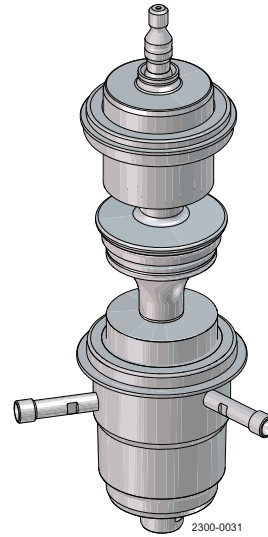
3 Plug setup overview and sectional drawings

Plug setup 13



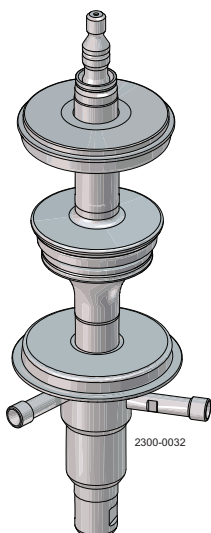
Upper: Unbalanced
Lower: Balanced with CIP OD balancer (blue bottom)
See page 64

Plug setup 14



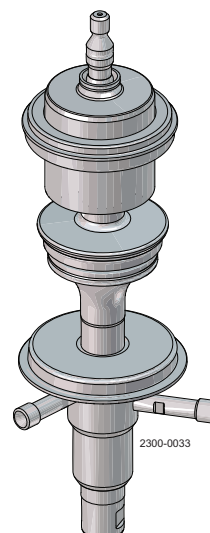
Upper: Balanced
Lower: Balanced with CIP OD balancer (blue bottom)
See page 68

Plug setup 15



Upper: Unbalanced
Lower: Unbalanced with CIP OD spindle
See page 72

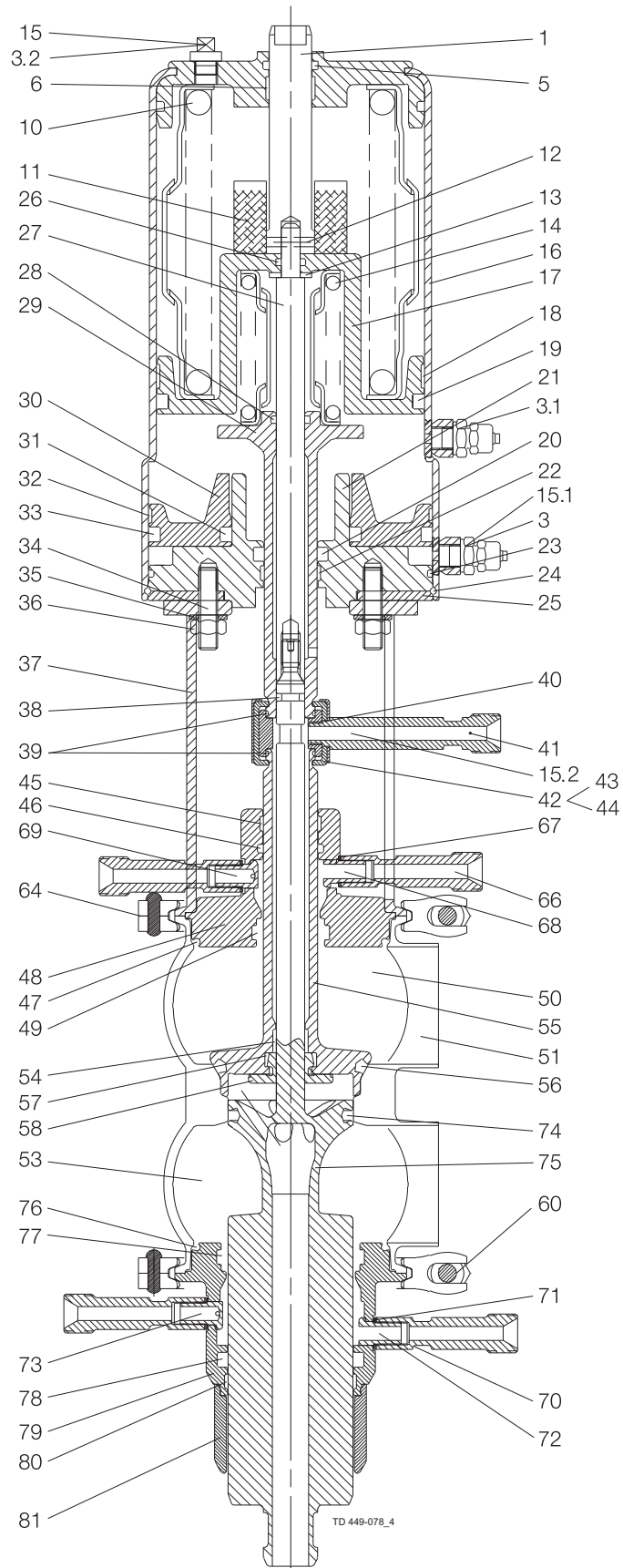
Plug setup 16



Upper: Balanced
Lower: Unbalanced with CIP OD spindle
See page 76

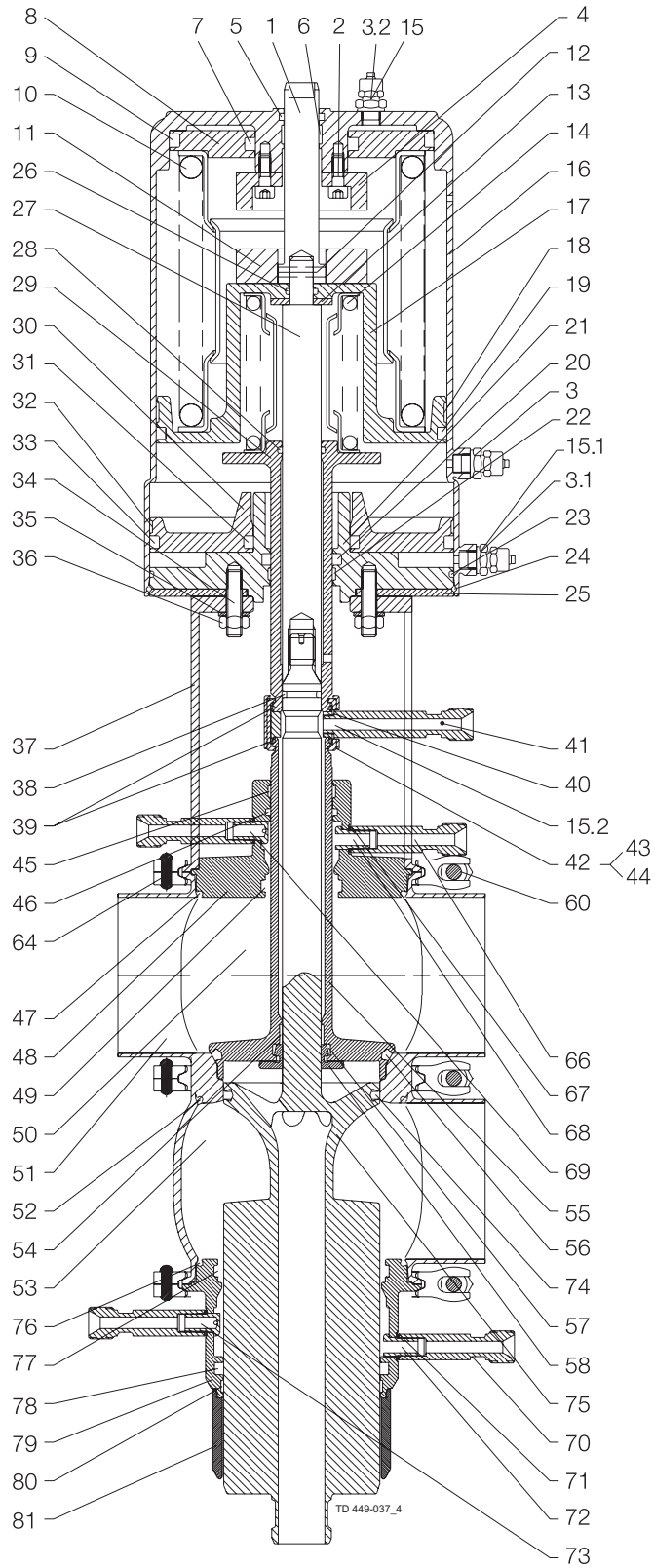
3 Plug setup overview and sectional drawings

Ø120

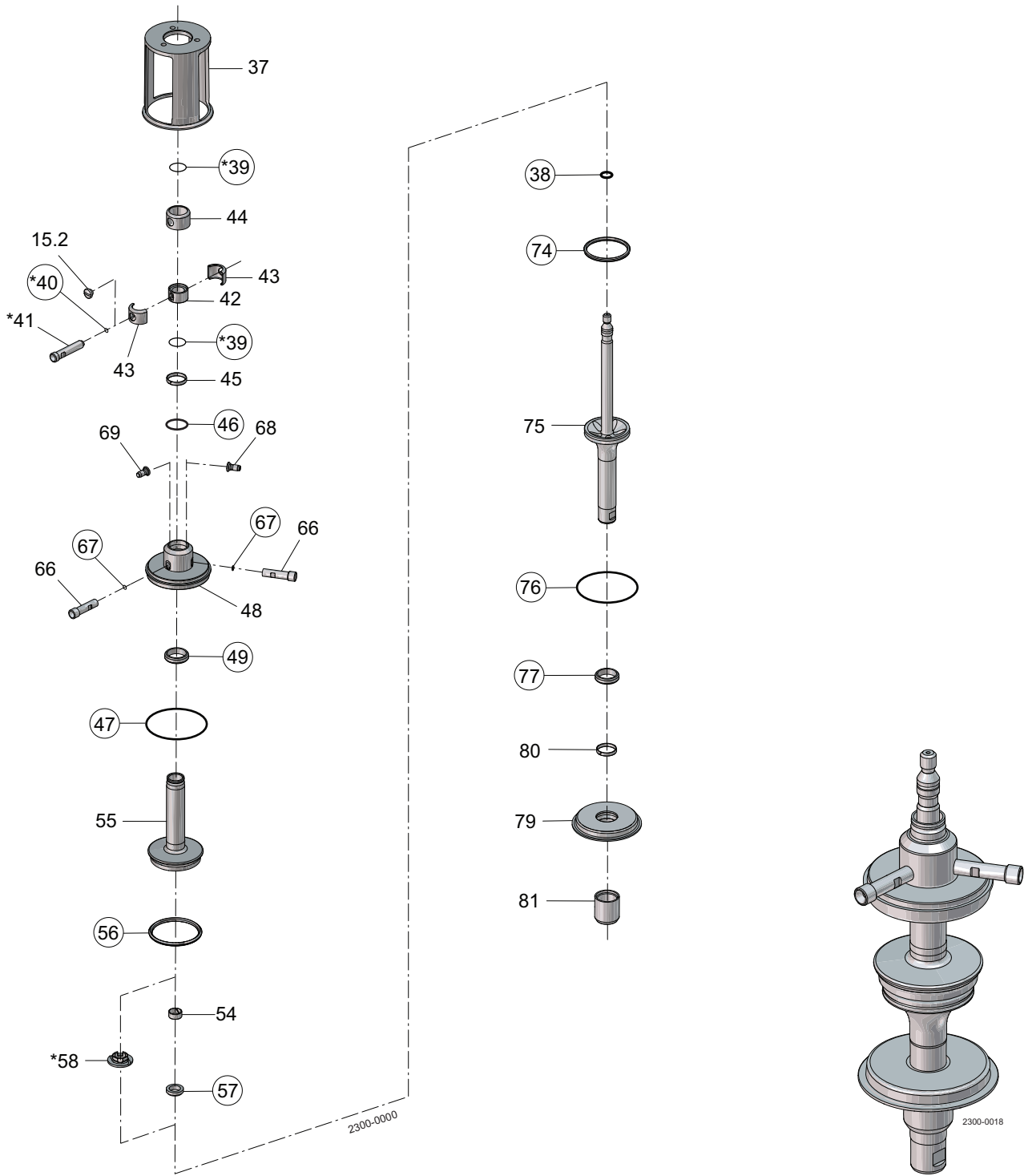


3 Plug setup overview and sectional drawings

Ø157/Ø186



Plug setup 1



- = wear parts
- * = with SpiralClean in leakage chamber

Pos. 37, see section 20 Valve body
See note below service kits.

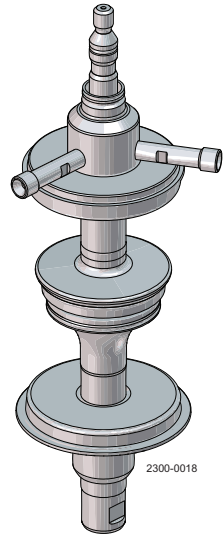
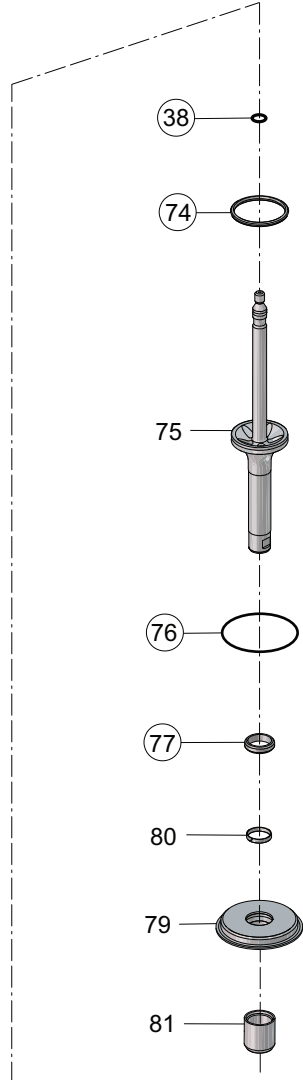
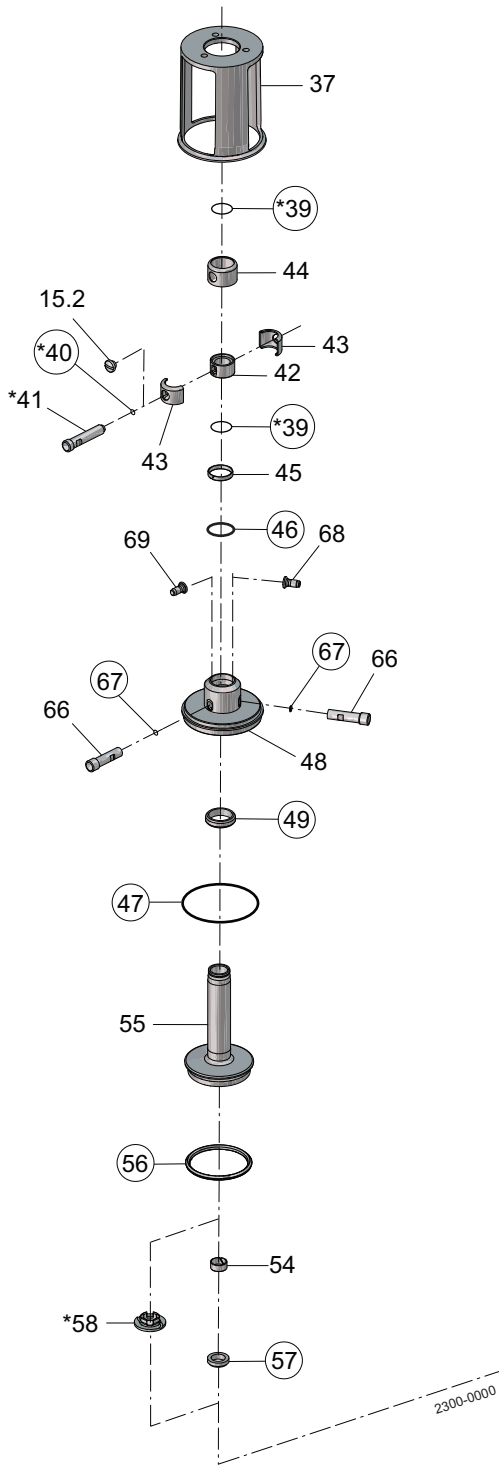
Plug setup 1

Pos	Qty	Denomination	DN/OD 51	DN/OD 63.5	#2	#1	DN 125
			DN 50	DN 65/DN 80	DN 100	DN 100	DN 150
			Seat ø53.3	Seat ø81.3	Seat ø100.3	Seat ø115.3	Seat ø115.3
Spindle liner							
15	1	Plug	9613414101	9613414101	9613414101	9613414101	9613414101
42	1	Spindle liner	9613011601	9613009001	9613009001	9613009001	9613009001
43	2	Clamp	9613011801	9613009201	9613009201	9613009201	9613009201
44	1	Lock	9613011701	9613009101	9613009101	9613009101	9613009101
Extra parts if SpiralClean in vent cavity							
39	2	O-ring, EPDM	9611993492	9611993493	9611993493	9611993493	9611993493
40	1	O-ring, EPDM	9611993119	9611993119	9611993119	9611993119	9611993119
41	1	Flushing tube	3135710172	3135710172	3135710172	3135710172	3135710172
58	1	Spray nozzle, PVDF	9613008801	9613014801	9613014801	9613014801	9613014801
Upper sealing element							
45	1	Guide ring, PTFE	9613008416	9613008417	9613008417	9613008417	9613008417
46	♦	O-ring, EPDM	9611993653	9611993654	9611993654	9611993654	9611993654
47	♦	O-ring, EPDM	9611993632	9611993636	9611993640	9611993640	9611993644
	♦	O-ring, NBR	9611993633	9611993637	9611993641	9611993641	9611993645
	♦	O-ring, FPM	9611993634	9611993638	9611993642	9611993642	9611993646
	♦	O-ring, HNBR	9611993635	9611993639	9611993643	9611993643	9611993647
48	1	Upper sealing element	9613014301	9613006501	9613018901	9613018901	9613017101
49	♦	Lip seal, EPDM	9613008501	9613008511	9613008511	9613008511	9613008511
	♦	Lip seal, NBR	9613008502	9613008512	9613008512	9613008512	9613008512
	♦	Lip seal, FPM	9613008503	9613008513	9613008513	9613008513	9613008513
	♦	Lip seal, HNBR	9613008504	9613008514	9613008514	9613008514	9613008514
66	2	Flushing tube	9613007902	9613007903	9613007904	9613007904	9613007905
67	♦	O-ring, EPDM	9611993119	9611993119	9611993119	9611993119	9611993119
68	1	Drain	9613008001	9613008001	9613008001	9613008001	9613008001
69	1	Nozzle	9613008002	9613008002	9613008002	9613008002	9613008002
Upper plug							
54	1	Guide ring, PTFE	9613008401	9613008402	9613008402	9613008402	9613008402
55	1	Upper plug	9613016202	9613008202	9613091402		9613017204
56	♦	Seal ring, EPDM	9613095106	9613095109	9613095119	9613095112	9613095112
	♦	Seal ring, NBR	9613095114	9613095115	9613095120	9613095116	9613095116
	♦	Seal ring, FPM	9613095105	9613095108	9613095118	9613095111	9613095111
	♦	Seal ring, HNBR	9613095104	9613095107	9613095117	9613095110	9613095110
	♦	Seal ring set, (10 pcs.) EPDM	8010023165	8010023166	8010023167	8010023168	8010023168
57	♦	Lip seal, EPDM	9613008706	9613008711	9613008711	9613008711	9613008711
	♦	Lip seal, NBR	9613008707	9613008712	9613008712	9613008712	9613008712
	♦	Lip seal, FPM	9613008708	9613008713	9613008713	9613008713	9613008713
	♦	Lip seal, HNBR	9613008709	9613008714	9613008714	9613008714	9613008714
Lower plug							
38	♦	O-ring, EPDM	9611993555	9611993572	9611993572	9611993572	9611993572
	♦	O-ring set, (10 pcs.) EPDM	8010023163	8010023164	8010023164	8010023164	8010023164
74	♦	Seal ring, EPDM	9613095206	9613095209	9613095219	9613095212	9613095212
	♦	Seal ring, NBR	9613095214	9613095215	9613095220	9613095216	9613095216
	♦	Seal ring, FPM Alfa Laval recommends EPDM	9613095205	9613095208	9613095218	9613095211	9613095211
	♦	Seal ring, HNBR	9613095204	9613095207	9613095217	9613095210	9613095210
	♦	Seal ring set, (10 pcs.) EPDM	8010023169	8010023170	8010023171	8010023172	8010023172
75	1	Lower plug		9613008303	9613091003	9613017405	9613017407
Lower sealing element							
76	♦	O-ring, EPDM	9611993632	9611993636	9611993640	9611993640	9611993644
	♦	O-ring, NBR	9611993633	9611993637	9611993641	9611993641	9611993645
	♦	O-ring, FPM	9611993634	9611993638	9611993642	9611993642	9611993646
	♦	O-ring, HNBR	9611993635	9611993639	9611993643	9611993643	9611993647
77	♦	Lip seal, EPDM	9613008501	9613008511	9613008511	9613008511	9613008511
	♦	Lip seal, NBR	9613008502	9613008512	9613008512	9613008512	9613008512
	♦	Lip seal, FPM	9613008503	9613008513	9613008513	9613008513	9613008513
	♦	Lip seal, HNBR	9613008504	9613008514	9613008514	9613008514	9613008514
79	1	Lower sealing element	9613023901	9613024101	9613024301	9613024301	9613024501
80	1	Guide ring, PTFE	9613008416	9613008417	9613008417	9613008417	9613008417
81	1	Cover	9613049002	9613049003	9613049004	9613049004	9613049004
Extra parts if clamped valve body							
52	1	O-ring, EPDM	9611993632	9611993636	9611993640	9611993640	9611993644
	1	O-ring, NBR	9611993633	9611993637	9611993641	9611993641	9611993645
	1	O-ring, FPM	9611993634	9611993638	9611993642	9611993642	9611993646
	1	O-ring, HNBR	9611993635	9611993639	9611993643	9611993643	9611993647

Pos. 37, see section 20 Valve body

See note below .

Plug setup 1



○ = wear parts

* = with SpiralClean in leakage chamber

Plug setup 1

		DN/OD 51 DN 50 Seat ø53.3	DN/OD 63.5 DN/OD 76.1 DN 65/DN 80 Seat ø81.3	#2 DN/OD 101.6 DN 100 Seat ø100.3	#1 DN/OD 101.6 DN 100 Seat ø115.3	DN 125 DN 150 Seat ø115.3
♦	Service kit, EPDM	9611921550	9611921552	9611926334	9611921554	9611996025
♦	Service kit, NBR	9611921556	9611921558	9611926335	9611921560	8010000502
♦	Service kit, FPM	9611921562	9611921564	9611926336	9611921566	8010000503
♦	Service kit, HNBR	9611921568	9611921570	9611926337	9611921572	8010000504

For mixed size housings, the service kit is determined by the smallest size connection on the valve.
 One exception is any housing with 6" connections will always refer to the 6" service kits listed below:

♦	Service kit, EPDM	9611926105	9611926169	9611926374	9611926233
♦	Service kit, NBR	9611926106	9611926170	9611926375	9611926234
♦	Service kit, FPM	9611926107	9611926171	9611926376	9611926235
♦	Service kit, HNBR	9611926108	9611926172	9611926236	9611923236

Parts marked with ♦ are included in the service kit.
 #1 = Serial no. below 1030000 - manufactured before October 1st 2003
 #2 = Serial no. above 1030000 - manufactured after October 1st 2003

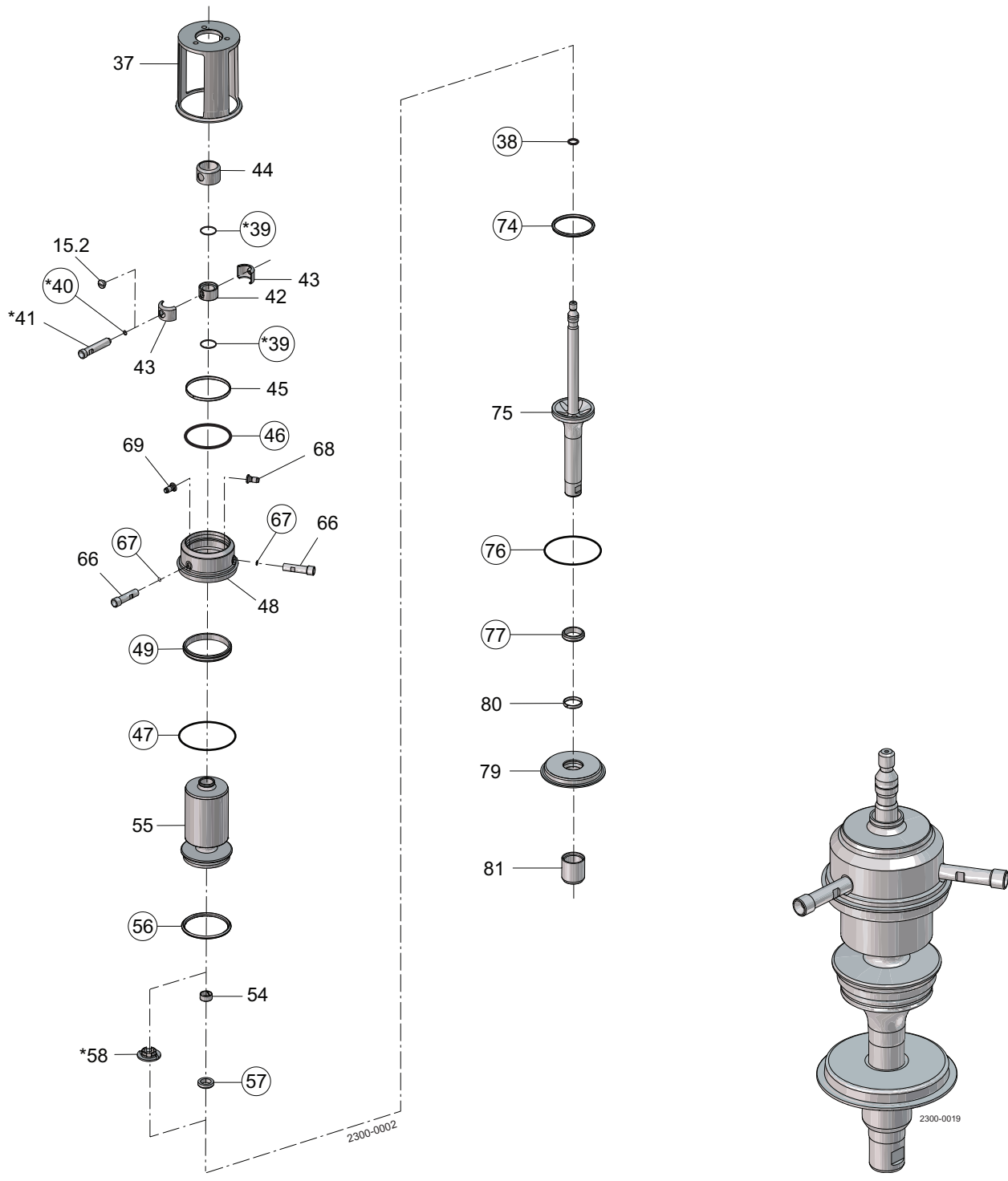
NOTE!

If different connection size on upper and lower body, except for size 6", it is always the smallest body that determines the service kit.
 If clamped valve body an extra O-ring (pos. 52) is required.
 If SpiralClean in leakage chamber extra O-rings (2x pos. 39 and 1x pos. 40) is required.
 Spare parts for mix size please refer to Configurator in AL Anytime

NOTE!

All FPM service kits are supplied with EPDM seal ring, pos. 74.

900691/1



○ = wear parts
 * = with SpiralClean in leakage chamber

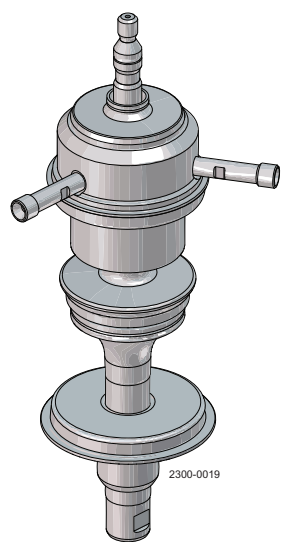
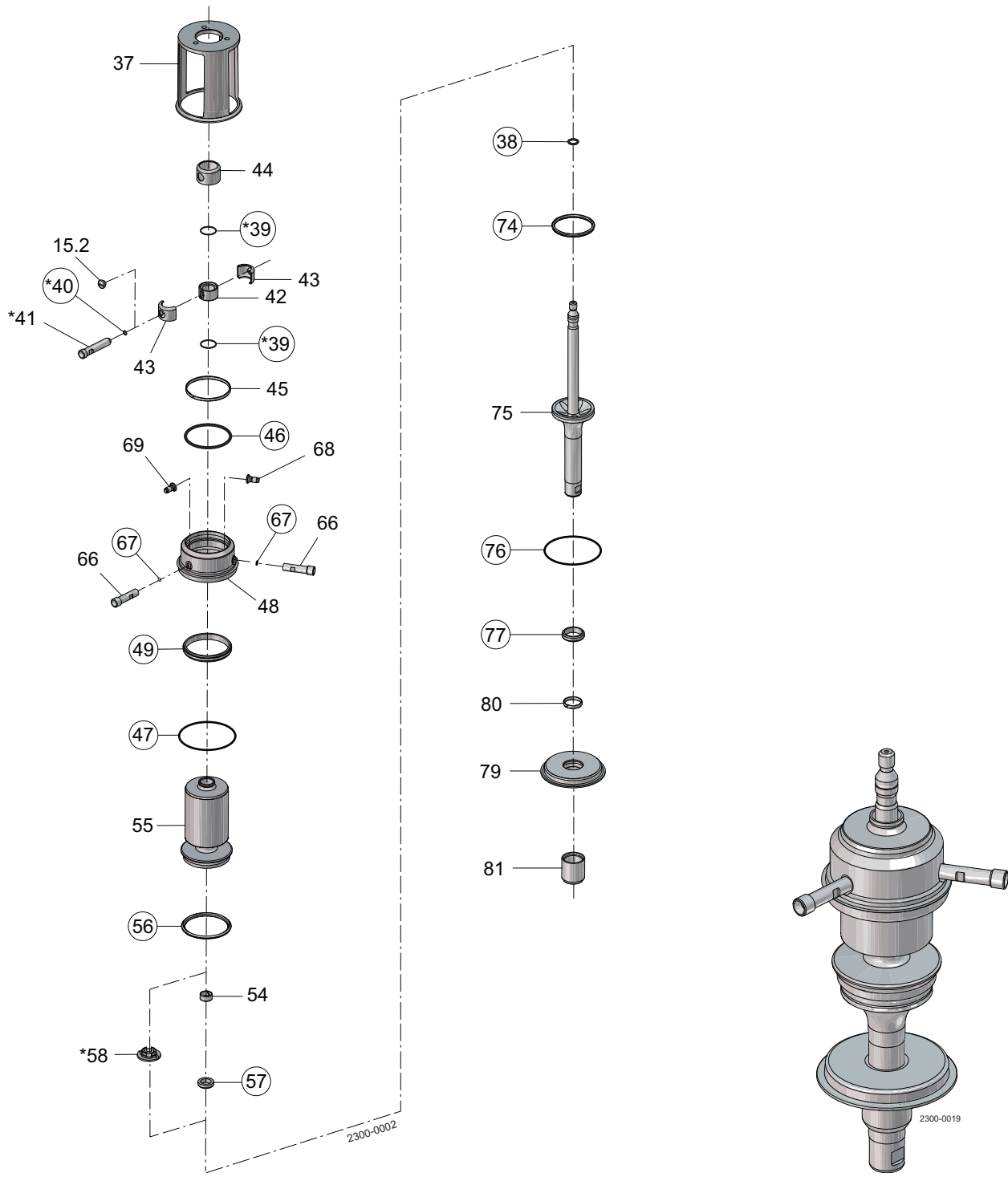
Pos. 37, see section 20 Valve body
 See note below service kits.

Plug setup 2

Pos	Qty	Denomination	DN/OD 51	DN/OD 63.5	#2	#1	DN 125
			DN 50	DN 65/DN 80	DN 100	DN 100	DN 150
			Seat ø53.3	Seat ø81.3	Seat ø100.3	Seat ø115.3	Seat ø115.3
Spindle liner							
15	1	Plug	9613414101	9613414101	9613414101	9613414101	9613414101
42	1	Spindle liner	9613011601	9613009001	9613009001	9613009001	9613009001
43	2	Clamp	9613011801	9613009201	9613009201	9613009201	9613009201
44	1	Lock	9613011701	9613009101	9613009101	9613009101	9613009101
Extra parts if SpiralClean in vent cavity							
39	2	O-ring, EPDM	9611993492	9611993493	9611993493	9611993493	9611993493
40	1	O-ring, EPDM	9611993119	9611993119	9611993119	9611993119	9611993119
41	1	Flushing tube	3135710172	3135710172	3135710172	3135710172	3135710172
58	1	Spray nozzle, PVDF	9613008801	9613014801	9613014801	9613014801	9613014801
Upper sealing element							
45	1	Guide ring, PTFE	9613008413	9613008414	9613008420	9613008415	9613008415
46	♦	O-ring, EPDM	9611993650	9611993651	9611994407	9611993652	9611993652
47	♦	O-ring, EPDM	9611993632	9611993636	9611993640	9611993640	9611993644
	♦	O-ring, NBR	9611993633	9611993637	9611993641	9611993641	9611993645
	♦	O-ring, FPM	9611993634	9611993638	9611993642	9611993642	9611993646
	♦	O-ring, HNBR	9611993635	9611993639	9611993643	9611993643	9611993647
48	1	Upper sealing element	9613049101	9613049201	9613065901	9613049301	9613049401
49	♦	Lip seal, EPDM	9613008521	9613008526	9613008548	9613008531	9613008531
	♦	Lip seal, NBR	9613008522	9613008527	9613008549	9613008532	9613008532
	♦	Lip seal, FPM	9613008523	9613008528	9613008550	9613008533	9613008533
	♦	Lip seal, HNBR	9613008524	9613008529	9613008551	9613008534	9613008534
66	2	Flushing tube	9613007902	9613007903	9613007904	9613007904	9613007905
67	♦	O-ring, EPDM	9611993119	9611993119	9611993119	9611993119	9611993119
68	1	Drain	9613008001	9613008001	9613008001	9613008001	9613008001
69	1	Nozzle	9613008002	9613008002	9613008002	9613008002	9613008002
Upper plug							
54	1	Guide ring, PTFE	9613008401	9613008402	9613008402	9613008402	9613008402
55	1	Upper plug	9613016302	9613009302	9613091502	9613017302	
56	♦	Seal ring, EPDM	9613095106	9613095109	9613095119	9613095112	9613095112
	♦	Seal ring, NBR	9613095114	9613095115	9613095120	9613095116	9613095116
	♦	Seal ring, FPM	9613095105	9613095108	9613095118	9613095111	9613095111
	♦	Seal ring, HNBR	9613095104	9613095107	9613095117	9613095110	9613095110
	♦	Seal ring set, (10 pcs.) EPDM	8010023165	8010023166	8010023167	8010023168	8010023168
57	♦	Lip seal, EPDM	9613008706	9613008711	9613008711	9613008711	9613008711
	♦	Lip seal, NBR	9613008707	9613008712	9613008712	9613008712	9613008712
	♦	Lip seal, FPM	9613008708	9613008713	9613008713	9613008713	9613008713
	♦	Lip seal, HNBR	9613008709	9613008714	9613008714	9613008714	9613008714
Lower plug							
38	♦	O-ring, EPDM	9611993555	9611993572	9611993572	9611993572	9611993572
	♦	O-ring set, (10 pcs.) EPDM	8010023163	8010023164	8010023164	8010023164	8010023164
74	♦	Seal ring, EPDM	9613095206	9613095209	9613095219	9613095212	9613095212
	♦	Seal ring, NBR	9613095214	9613095215	9613095220	9613095216	9613095216
	♦	Seal ring, FPM Alfa Laval recommends EPDM	9613095205	9613095208	9613095218	9613095211	9613095211
	♦	Seal ring, HNBR	9613095204	9613095207	9613095217	9613095210	9613095210
	♦	Seal ring set, (10 pcs.) EPDM	8010023169	8010023170	8010023171	8010023172	8010023172
75	1	Lower plug		9613008303	9613091003	9613017405	9613017407
Lower sealing element							
76	♦	O-ring, EPDM	9611993632	9611993636	9611993640	9611993640	9611993644
	♦	O-ring, NBR	9611993633	9611993637	9611993641	9611993641	9611993645
	♦	O-ring, FPM	9611993634	9611993638	9611993642	9611993642	9611993646
	♦	O-ring, HNBR	9611993635	9611993639	9611993643	9611993643	9611993647
77	♦	Lip seal, EPDM	9613008501	9613008511	9613008511	9613008511	9613008511
	♦	Lip seal, NBR	9613008502	9613008512	9613008512	9613008512	9613008512
	♦	Lip seal, FPM	9613008503	9613008513	9613008513	9613008513	9613008513
	♦	Lip seal, HNBR	9613008504	9613008514	9613008514	9613008514	9613008514
79	1	Lower sealing element	9613023901	9613024101	9613024301	9613024301	9613024501
80	1	Guide ring, PTFE	9613008416	9613008417	9613008417	9613008417	9613008417
81	1	Cover	9613049002	9613049003	9613049004	9613049004	9613049004
Extra parts if clamped valve body							
52	1	O-ring, EPDM	9611993632	9611993636	9611993640	9611993640	9611993644
	1	O-ring, NBR	9611993633	9611993637	9611993641	9611993641	9611993645
	1	O-ring, FPM	9611993634	9611993638	9611993642	9611993642	9611993646
	1	O-ring, HNBR	9611993635	9611993639	9611993643	9611993643	9611993647

Pos. 37, see section 20 Valve body

See note below service kits.



Plug setup 2

		DN/OD 51 DN 50 Seat ø53.3	DN/OD 63.5 DN/OD 76.1 DN 65/DN 80 Seat ø81.3	#2 DN/OD 101.6 DN 100 Seat ø100.3	#1 DN/OD 101.6 DN 100 Seat ø115.3	DN 125 DN 150 Seat ø115.3
♦	Service kit, EPDM	9611921574	9611921576	9611926338	9611921578	9611926029
♦	Service kit, NBR	9611921580	9611921582	9611926339	9611921584	9611926030
♦	Service kit, FPM	9611921586	9611921588	9611926340	9611921590	9611926031
♦	Service kit, HNBR	9611921592	9611921594	9611926341	9611921596	9611926032

For mixed size housings, the service kit is determined by the smallest size connection on the valve.

One exception is any housing with 6" connections will always refer to the 6" service kits listed below:

♦	Service kit, EPDM	9611926109	9611926173	9611926378	9611926237
♦	Service kit, NBR	9611926110	9611926174	9611926379	9611926238
♦	Service kit, FPM	9611926111	9611926175	9611926380	9611926239
♦	Service kit, HNBR	9611926112	9611926176	9611926381	9611926240

Parts marked with ♦ are included in the service kit.

#1 = Serial no. below 1030000 - manufactured before October 1st 2003

#2 = Serial no. above 1030000 - manufactured after October 1st 2003

NOTE!

If different connection size on upper and lower body, except for size 6", it is always the smallest body that determines the service kit.

If clamped valve body an extra O-ring (pos. 52) is required.

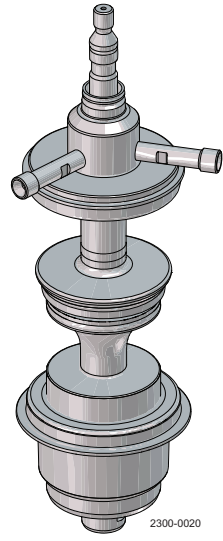
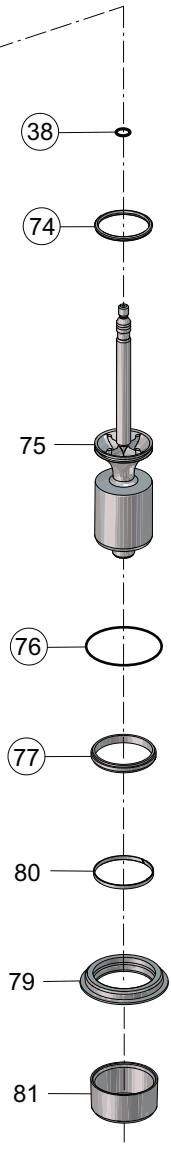
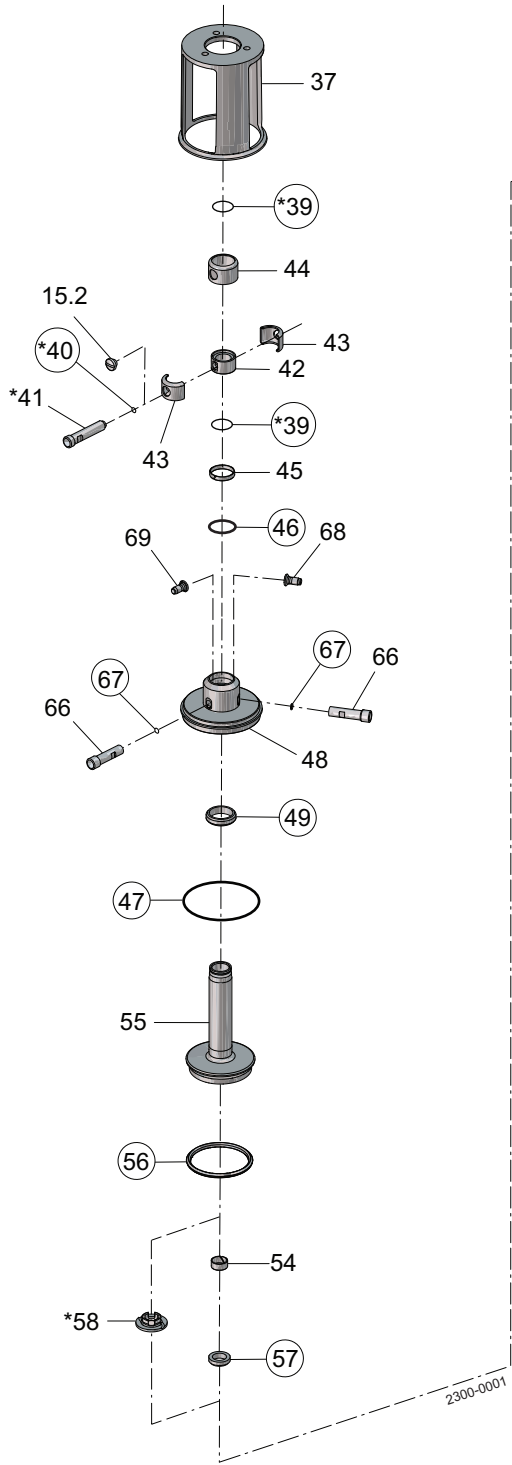
If SpiralClean in leakage chamber extra O-rings (2x pos. 39 and 1x pos. 40) is required.

Spare parts for mix size please refer to Configurator in AL Anytime

NOTE!

All FPM service kits are supplied with EPDM seal ring, pos. 74.

Plug setup 3



○ = wear parts
 * = with SpiralClean in leakage chamber

Pos. 37, see section 20 Valve body
 See note below service kits.

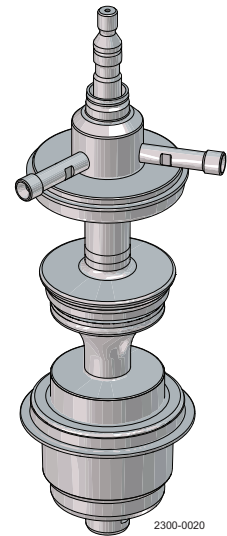
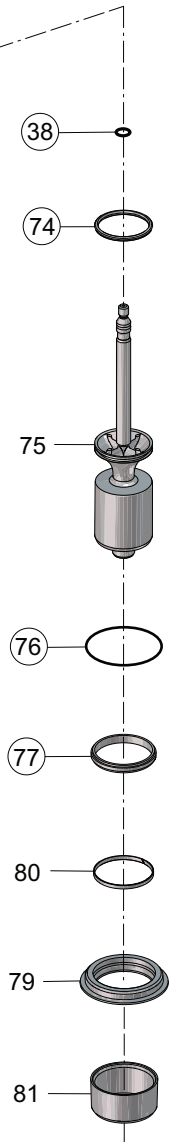
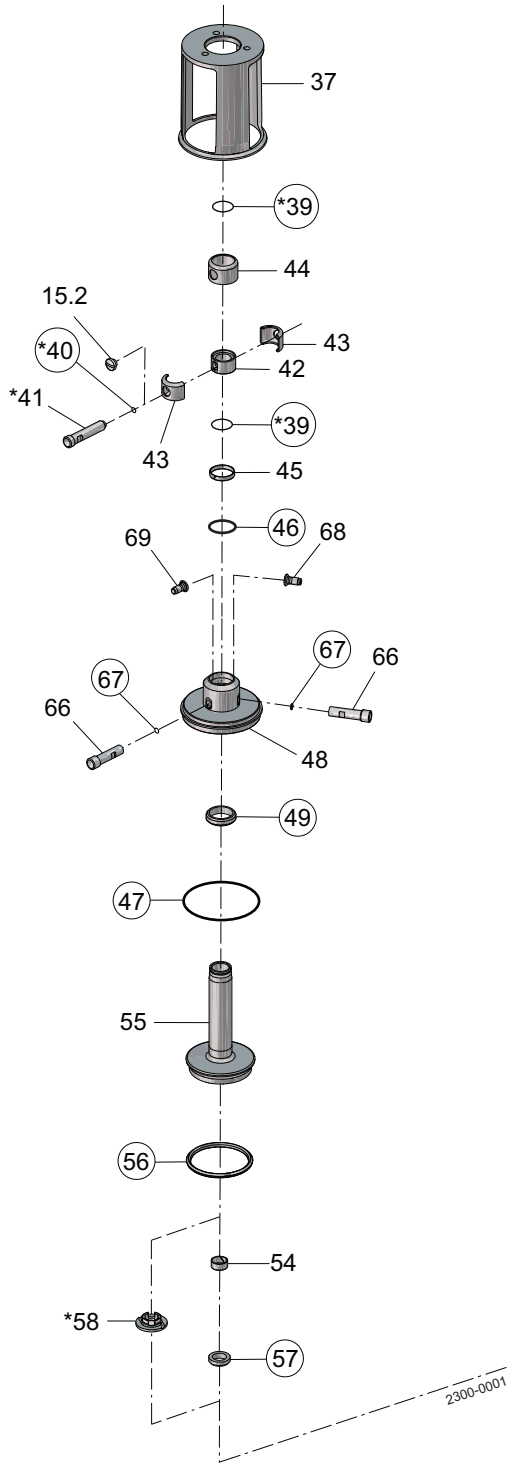
Plug setup 3

Pos	Qty	Denomination	DN/OD 51	DN/OD 63.5	#2	#1	DN 125
			DN 50	DN 65/DN 80	DN 100	DN 100	DN 150
			Seat ø53.3	Seat ø81.3	Seat ø100.3	Seat ø115.3	Seat ø115.3
Spindle liner							
15	1	Plug	9613414101	9613414101	9613414101	9613414101	9613414101
42	1	Spindle liner	9613011601	9613009001	9613009001	9613009001	9613009001
43	2	Clamp	9613011801	9613009201	9613009201	9613009201	9613009201
44	1	Lock	9613011701	9613009101	9613009101	9613009101	9613009101
Extra parts if SpiralClean in vent cavity							
39	2	O-ring, EPDM	9611993492	9611993493	9611993493	9611993493	9611993493
40	1	O-ring, EPDM	9611993119	9611993119	9611993119	9611993119	9611993119
41	1	Flushing tube	3135710172	3135710172	3135710172	3135710172	3135710172
58	1	Spray nozzle, PVDF	9613008801	9613014801	9613014801	9613014801	9613014801
Upper sealing element							
45	1	Guide ring, PTFE	9613008416	9613008417	9613008417	9613008417	9613008417
46	♦	O-ring, EPDM	9611993653	9611993654	9611993654	9611993654	9611993654
47	♦	O-ring, EPDM	9611993632	9611993636	9611993640	9611993640	9611993644
	♦	O-ring, NBR	9611993633	9611993637	9611993641	9611993641	9611993645
	♦	O-ring, FPM	9611993634	9611993638	9611993642	9611993642	9611993646
	♦	O-ring, HNBR	9611993635	9611993639	9611993643	9611993643	9611993647
48	1	Upper sealing element	9613014301	9613006501	9613018901	9613018901	9613017101
49	♦	Lip seal, EPDM	9613008501	9613008511	9613008511	9613008511	9613008511
	♦	Lip seal, NBR	9613008502	9613008512	9613008512	9613008512	9613008512
	♦	Lip seal, FPM	9613008503	9613008513	9613008513	9613008513	9613008513
	♦	Lip seal, HNBR	9613008504	9613008514	9613008514	9613008514	9613008514
66	2	Flushing tube	9613007902	9613007903	9613007904	9613007904	9613007905
67	♦	O-ring, EPDM	9611993119	9611993119	9611993119	9611993119	9611993119
68	1	Drain	9613008001	9613008001	9613008001	9613008001	9613008001
69	1	Nozzle	9613008002	9613008002	9613008002	9613008002	9613008002
Upper plug							
54	1	Guide ring, PTFE	9613008401	9613008402	9613008402	9613008402	9613008402
55	1	Upper plug	9613016202	9613008202	9613091402		9613017204
56	♦	Seal ring, EPDM	9613095106	9613095109	9613095119	9613095112	9613095112
	♦	Seal ring, NBR	9613095114	9613095115	9613095120	9613095116	9613095116
	♦	Seal ring, FPM	9613095105	9613095108	9613095118	9613095111	9613095111
	♦	Seal ring, HNBR	9613095104	9613095107	9613095117	9613095110	9613095110
	♦	Seal ring set, (10 pcs.) EPDM	8010023165	8010023166	8010023167	8010023168	8010023168
57	♦	Lip seal, EPDM	9613008706	9613008711	9613008711	9613008711	9613008711
	♦	Lip seal, NBR	9613008707	9613008712	9613008712	9613008712	9613008712
	♦	Lip seal, FPM	9613008708	9613008713	9613008713	9613008713	9613008713
	♦	Lip seal, HNBR	9613008709	9613008714	9613008714	9613008714	9613008714
Lower plug							
38	♦	O-ring, EPDM	9611993555	9611993572	9611993572	9611993572	9611993572
	♦	O-ring set, (10 pcs.) EPDM	8010023163	8010023164	8010023164	8010023164	8010023164
74	♦	Seal ring, EPDM	9613095206	9613095209	9613095219	9613095212	9613095212
	♦	Seal ring, NBR	9613095214	9613095215	9613095220	9613095216	9613095216
	♦	Seal ring, FPM Alfa Laval recommends EPDM	9613095205	9613095208	9613095218	9613095211	9613095211
	♦	Seal ring, HNBR	9613095204	9613095207	9613095217	9613095210	9613095210
	♦	Seal ring set, (10 pcs.) EPDM	8010023169	8010023170	8010023171	8010023172	8010023172
75	1	Lower plug	9613016503	9613009403		9613017505	9613017507
Lower sealing element							
76	♦	O-ring, EPDM	9611993632	9611993636	9611993640	9611993640	9611993644
	♦	O-ring, NBR	9611993633	9611993637	9611993641	9611993641	9611993645
	♦	O-ring, FPM	9611993634	9611993638	9611993642	9611993642	9611993646
	♦	O-ring, HNBR	9611993635	9611993639	9611993643	9611993643	9611993647
77	♦	Lip seal, EPDM	9613008521	9613008526	9613008548	9613008531	9613008531
	♦	Lip seal, NBR	9613008522	9613008527	9613008549	9613008532	9613008532
	♦	Lip seal, FPM	9613008523	9613008528	9613008550	9613008533	9613008533
	♦	Lip seal, HNBR	9613008524	9613008529	9613008551	9613008534	9613008534
79	1	Lower sealing element	9613023902	9613024102	9613066201	9613024302	9613024502
80	1	Guide ring, PTFE	9613008413	9613008414	9613008420	9613008415	9613008415
81	1	Cover	9613049005	9613049006	9613049015	9613049007	9613049007
Extra parts if clamped valve body							
52	1	O-ring, EPDM	9611993632	9611993636	9611993640	9611993640	9611993644
	1	O-ring, NBR	9611993633	9611993637	9611993641	9611993641	9611993645
	1	O-ring, FPM	9611993634	9611993638	9611993642	9611993642	9611993646
	1	O-ring, HNBR	9611993635	9611993639	9611993643	9611993643	9611993647

Pos. 37, see section 20 Valve body

See note below service kits.

Plug setup 3



○ = wear parts

* = with SpiralClean in leakage chamber

Plug setup 3

		DN/OD 51 DN 50 Seat ø53.3	DN/OD 63.5 DN/OD 76.1 DN 65/DN 80 Seat ø81.3	#2 DN/OD 101.6 DN 100 Seat ø100.3	#1 DN/OD 101.6 DN 100 Seat ø115.3	DN 125 DN 150 Seat ø115.3
♦	Service kit, EPDM	9611921598	9611921599	9611926342	9611921602	9611926033
♦	Service kit, NBR	9611921605	9611921606	9611926343	9611921608	9611926034
♦	Service kit, FPM	9611921611	9611921612	9611926344	9611921614	9611926035
♦	Service kit, HNBR	9611921617	9611921618	9611926345	9611921620	9611926036

For mixed size housings, the service kit is determined by the smallest size connection on the valve.

One exception is any housing with 6" connections will always refer to the 6" service kits listed below:

♦	Service kit, EPDM	9611926113	9611926177	9611926382	9611926241
♦	Service kit, EPDM	9611926114	9611926178	9611926383	9611926242
♦	Service kit, EPDM	9611926115	9611926179	9611926384	9611926243
♦	Service kit, EPDM	9611926116	9611926180	9611926385	9611926244

Parts marked with ♦ are included in the service kit.

#1 = Serial no. below 1030000 - manufactured before October 1st 2003

#2 = Serial no. above 1030000 - manufactured after October 1st 2003

NOTE!

If different connection size on upper and lower body, except for size 6", it is always the smallest body that determines the service kit.

If clamped valve body an extra O-ring (pos. 52) is required.

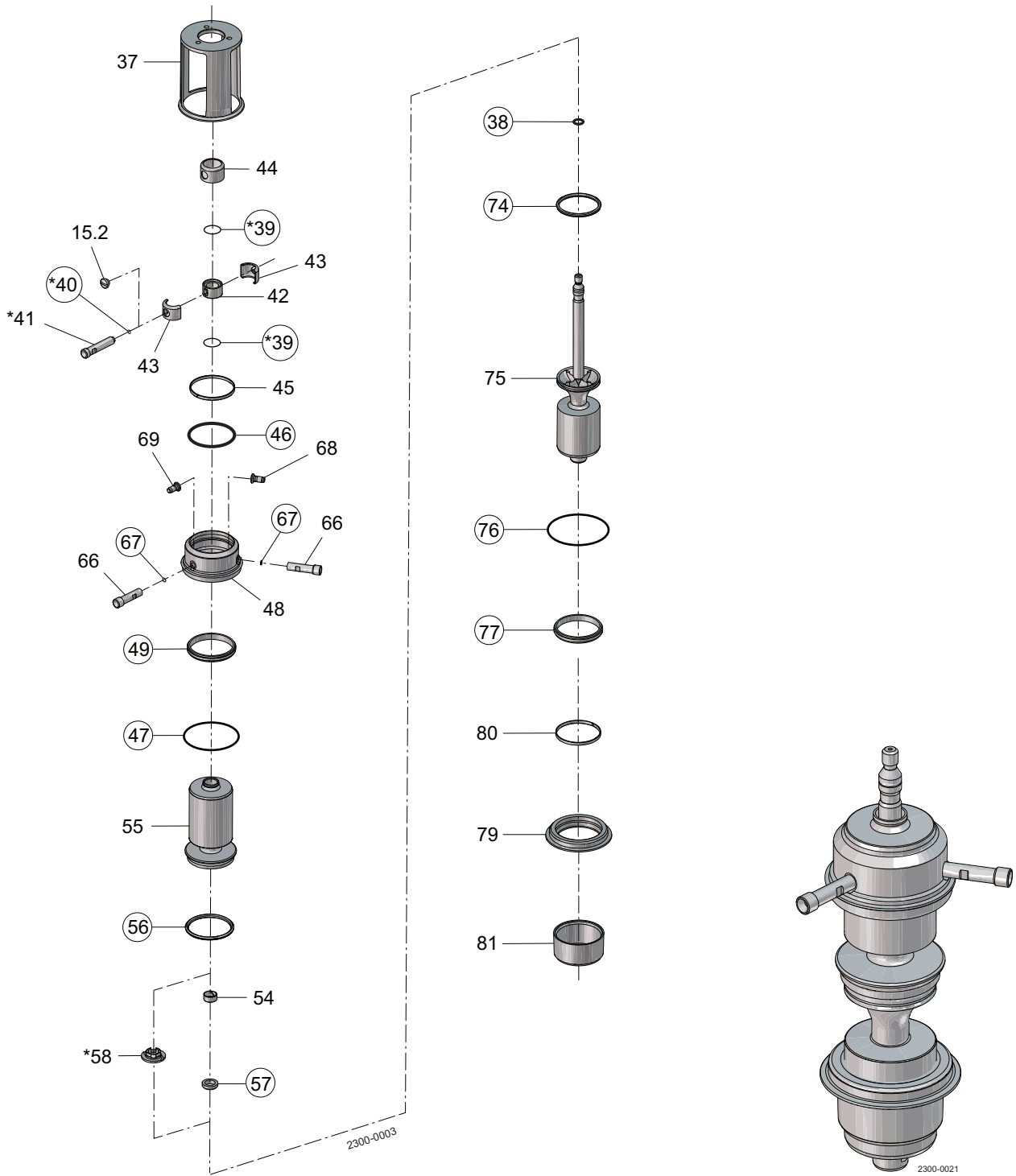
If SpiralClean in leakage chamber extra O-rings (2x pos. 39 and 1x pos. 40) is required.

Spare parts for mix size please refer to Configurator in AL Anytime

NOTE!

All FPM service kits are supplied with EPDM seal ring, pos. 74.

Plug setup 4



○ = wear parts
 * = with SpiralClean in leakage chamber

Pos. 37, see section 20 Valve body
 See note below service kits.

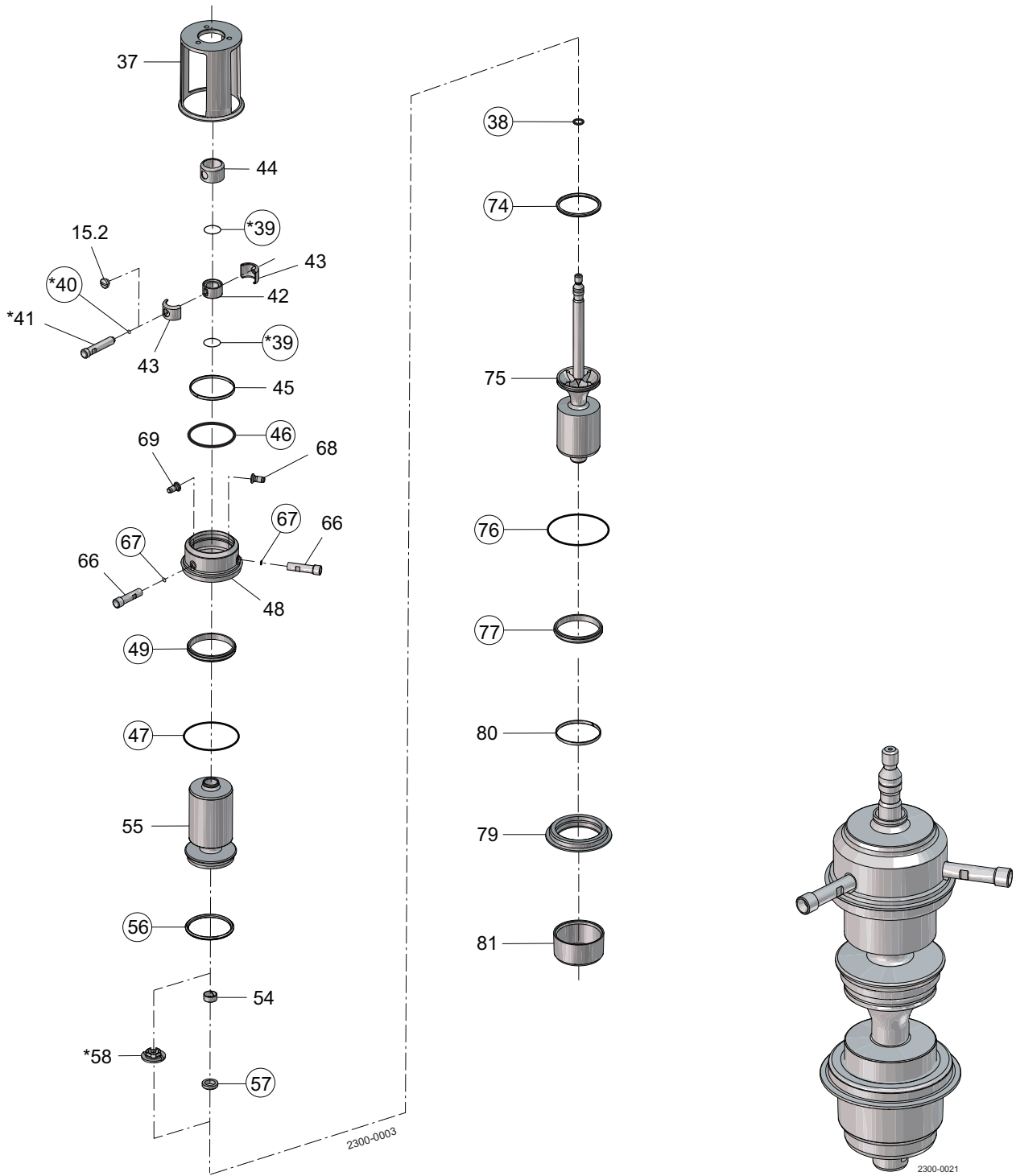
Plug setup 4

Pos	Qty	Denomination	DN/OD 38	DN/OD 51	DN/OD 63.5	#2	#1	DN 125
			DN 40	DN 50	DN 65/DN 80	DN/OD 101.6	DN/OD 101.6	DN 150
			Seat ø53.3	Seat ø53.3	Seat ø81.3	Seat ø100.3	Seat ø115.3	Seat ø115.3
Spindle liner								
15	1	Plug	9613414101	9613414101	9613414101	9613414101	9613414101	9613414101
42	1	Spindle liner	9613011601	9613011601	9613009001	9613009001	9613009001	9613009001
43	2	Clamp	9613011801	9613011801	9613009201	9613009201	9613009201	9613009201
44	1	Lock	9613011701	9613011701	9613009101	9613009101	9613009101	9613009101
Extra parts if SpiralClean in vent cavity								
39	2	O-ring, EPDM	9611993492	9611993492	9611993493	9611993493	9611993493	9611993493
40	1	O-ring, EPDM	9611993119	9611993119	9611993119	9611993119	9611993119	9611993119
41	1	Flushing tube	3135710172	3135710172	3135710172	3135710172	3135710172	3135710172
58	1	Spray nozzle, PVDF	9613008801	9613008801	9613014801	9613014801	9613014801	9613014801
Upper sealing element								
45	1	Guide ring	9613008412	9613008413	9613008414	9613008420	9613008415	9613008415
46	◆	O-ring, EPDM	9611993655	9611993650	9611993651	9611994407	9611993652	9611993652
47	◆	O-ring, EPDM	9611993628	9611993632	9611993636	9611993640	9611993640	9611993644
	◆	O-ring, NBR	9611993629	9611993633	9611993637	9611993641	9611993641	9611993645
	◆	O-ring, FPM	9611993630	9611993634	9611993638	9611993642	9611993642	9611993646
	◆	O-ring, HNBR	9611993631	9611993635	9611993639	9611993643	9611993643	9611993647
48	1	Upper sealing element	9613016101	9613049101	9613049201	9613065901	9613049301	9613049401
49	◆	Lip seal, EPDM	9613008516	9613008521	9613008526	9613008548	9613008531	9613008531
	◆	Lip seal, NBR	9613008517	9613008522	9613008527	9613008549	9613008532	9613008532
	◆	Lip seal, FPM	9613008518	9613008523	9613008528	9613008550	9613008533	9613008533
	◆	Lip seal, HNBR	9613008519	9613008524	9613008529	9613008551	9613008534	9613008534
66	2	Flushing tube	9613007901	9613007902	9613007903	9613007904	9613007904	9613007905
67	◆	O-ring, EPDM	9611993119	9611993119	9611993119	9611993119	9611993119	9611993119
68	1	Drain	9613008001	9613008001	9613008001	9613008001	9613008001	9613008001
69	1	Nozzle	9613008002	9613008002	9613008002	9613008002	9613008002	9613008002
Upper plug								
54	1	Guide ring, PTFE	9613008401	9613008401	9613008402	9613008402	9613008402	9613008402
55	1	Upper plug	9613014402	9613016302	9613009302	9613091502	9613017302	
56	◆	Seal ring, EPDM	9613095106	9613095106	9613095109	9613095119	9613095112	9613095112
	◆	Seal ring, NBR	9613095114	9613095114	9613095115	9613095120	9613095116	9613095116
	◆	Seal ring, FPM	9613095105	9613095105	9613095108	9613095118	9613095111	9613095111
	◆	Seal ring, HNBR	9613095104	9613095104	9613095107	9613095117	9613095110	9613095110
	◆	Seal ring set, (10 pcs.) EPDM	8010023165	8010023165	8010023166	8010023167	8010023168	8010023168
57	◆	Lip seal, EPDM	9613008706	9613008706	9613008711	9613008711	9613008711	9613008711
	◆	Lip seal, NBR	9613008707	9613008707	9613008712	9613008712	9613008712	9613008712
	◆	Lip seal, FPM	9613008708	9613008708	9613008713	9613008713	9613008713	9613008713
	◆	Lip seal, HNBR	9613008709	9613008709	9613008714	9613008714	9613008714	9613008714
Lower plug								
38	◆	O-ring, EPDM	9611993555	9611993555	9611993572	9611993572	9611993572	9611993572
	◆	O-ring set, (10 pcs.) EPDM	8010023163	8010023163	8010023164	8010023164	8010023164	8010023164
74	◆	Seal ring, EPDM	9613095206	9613095206	9613095209	9613095219	9613095212	9613095212
	◆	Seal ring, NBR	9613095214	9613095214	9613095215	9613095220	9613095216	9613095216
	◆	Seal ring, FPM Alfa Laval recommends EPDM	9613095205	9613095205	9613095208	9613095218	9613095211	9613095211
	◆	Seal ring, HNBR	9613095204	9613095204	9613095207	9613095217	9613095210	9613095210
	◆	Seal ring set, (10 pcs.) EPDM	8010023169	8010023169	8010023170	8010023171	8010023172	8010023172
75	1	Lower plug		9613016503	9613009403		9613017505	9613017507
Lower sealing element								
76	◆	O-ring, EPDM	9611993628	9611993632	9611993636	9611993640	9611993640	9611993644
	◆	O-ring, NBR	9611993629	9611993633	9611993637	9611993641	9611993641	9611993645
	◆	O-ring, FPM	9611993630	9611993634	9611993638	9611993642	9611993642	9611993646
	◆	O-ring, HNBR	9611993631	9611993635	9611993639	9611993643	9611993643	9611993647
77	◆	Lip seal, EPDM	9613008516	9613008521	9613008526	9613008548	9613008531	9613008531
	◆	Lip seal, NBR	9613008517	9613008522	9613008527	9613008549	9613008532	9613008532
	◆	Lip seal, FPM	9613008518	9613008523	9613008528	9613008550	9613008533	9613008533
	◆	Lip seal, HNBR	9613008519	9613008524	9613008529	9613008551	9613008534	9613008534
79	1	Lower sealing element	9613023701	9613023902	9613024102	9613066201	9613024302	9613024502
80	1	Guide ring	9613008412	9613008413	9613008414	9613008420	9613008415	9613008415
81	1	Cover	9613049001	9613049005	9613049006	9613049015	9613049007	9613049007
Extra parts if clamped valve body								
52	1	O-ring, EPDM	9611993628	9611993632	9611993636	9611993640	9611993640	9611993644
	1	O-ring, NBR	9611993629	9611993633	9611993637	9611993641	9611993641	9611993645
	1	O-ring, FPM	9611993630	9611993634	9611993638	9611993642	9611993642	9611993646
	1	O-ring, HNBR	9611993631	9611993635	9611993639	9611993643	9611993643	9611993647

Pos. 37, see section 20 Valve body

See note below service kits.

Plug setup 4



○ = wear parts

* = with SpiralClean in leakage chamber

Plug setup 4

		DN/OD 38 DN 40 Seat ø53.3	DN/OD 51 DN 50 Seat ø53.3	DN/OD 63.5 DN/OD 76.1 DN 65/DN 80 Seat ø81.3	#2 DN/OD 101.6 DN 100 Seat ø100.3	#1 DN/OD 101.6 DN 100 Seat ø115.3	DN 125 DN 150 Seat ø115.3
♦	Service kit, EPDM	9611921622	9611921623	9611921624	9611926346	9611921626	9611926037
♦	Service kit, NBR	9611921628	9611921629	9611921630	9611926347	9611921632	9611926038
♦	Service kit, FPM	9611921634	9611921635	9611921636	9611926348	9611921638	9611926039
♦	Service kit, HNBR	9611921640	9611921641	9611921642	9611926349	9611921644	9611926040

For mixed size housings, the service kit is determined by the smallest size connection on the valve.

One exception is any housing with 6" connections will always refer to the 6" service kits listed below:

♦	Service kit, EPDM	9611926089	9611926117	9611926181	9611926386	9611926245
♦	Service kit, NBR	9611926090	9611926118	9611926182	9611926387	9611926246
♦	Service kit, FPM	9611926091	9611926119	9611926183	9611926388	9611926247
♦	Service kit, HNBR	9611926092	9611926120	9611926184	9611926389	9611926248

Parts marked with ♦ are included in the service kit.

#1 = Serial no. below 1030000 - manufactured before October 1st 2003

#2 = Serial no. above 1030000 - manufactured after October 1st 2003

NOTE!

If different connection size on upper and lower body, except for size 6", it is always the smallest body that determines the service kit.

If clamped valve body an extra O-ring (pos. 52) is required.

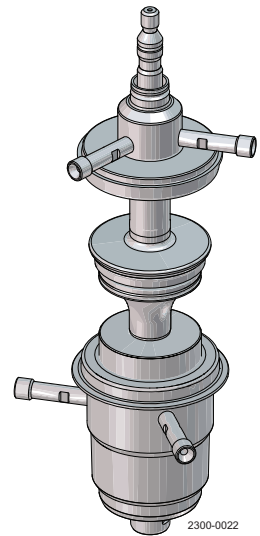
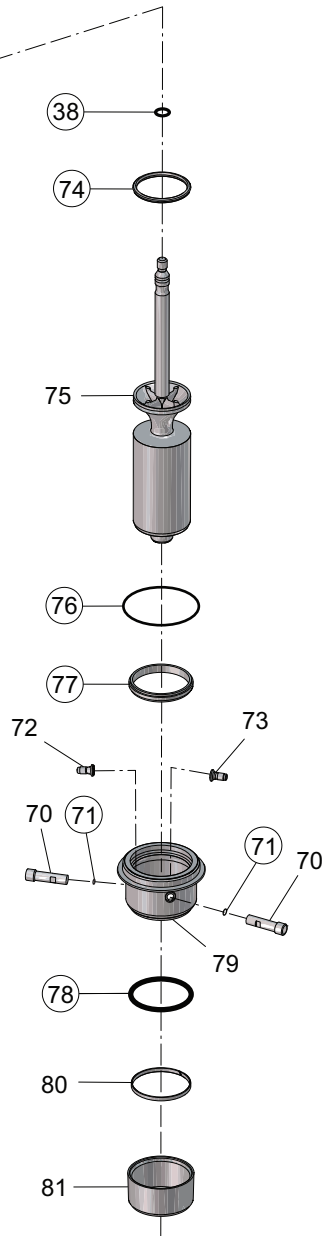
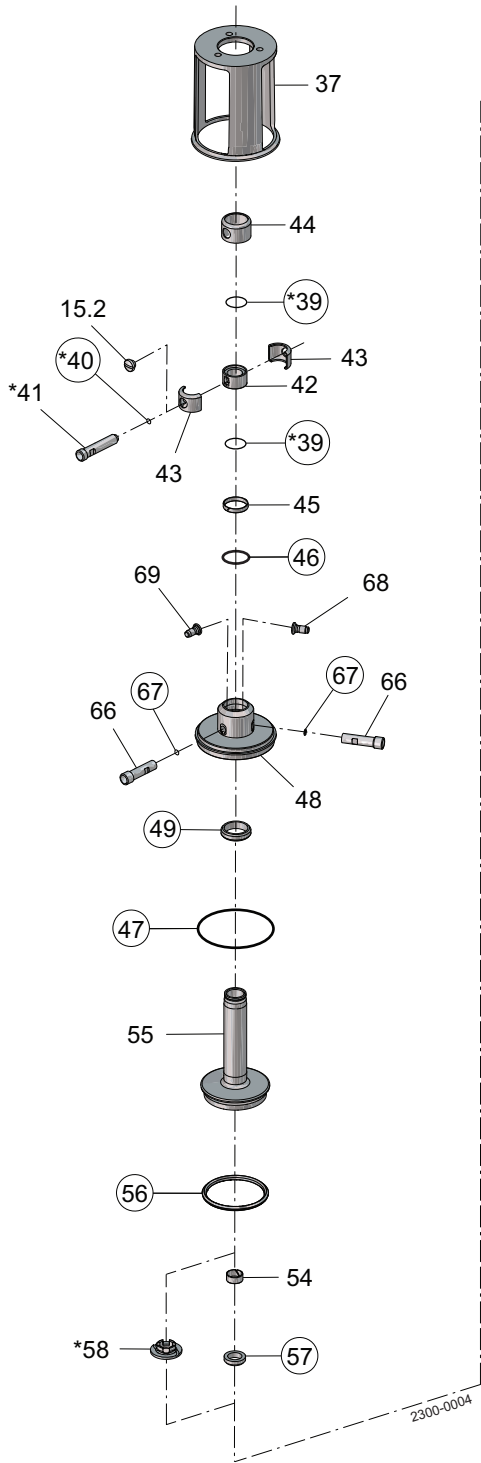
If SpiralClean in leakage chamber extra O-rings (2x pos. 39 and 1x pos. 40) is required.

Spare parts for mix size please refer to Configurator in AL Anytime

NOTE!

All FPM service kits are supplied with EPDM seal ring, pos. 74.

Plug setup 5



○ = wear parts
 * = with SpiralClean in leakage chamber

Pos. 37, see section 20 Valve body
 See note below service kits.

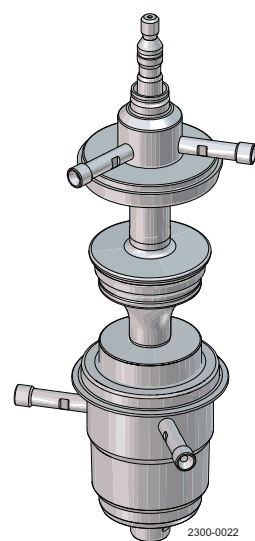
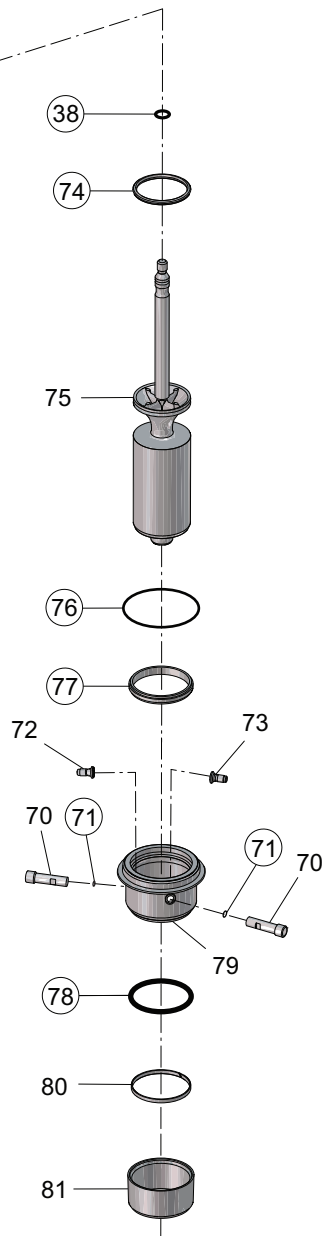
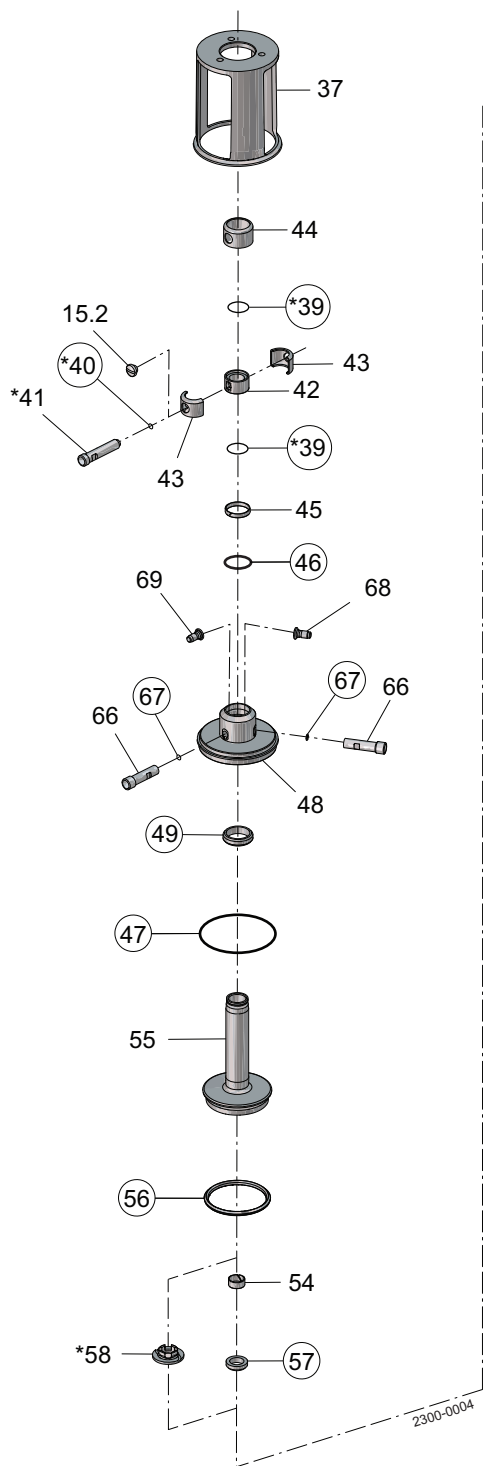
Plug setup 5

Pos	Qty	Denomination	DN/OD 51	DN/OD 63.5	#2	#1	DN 125
			DN 50	DN 65/DN 80	DN 100	DN 101.6	DN 101.6
			Seat ø53.3	Seat ø81.3	Seat ø100.3	Seat ø115.3	Seat ø115.3
Spindle liner							
15	1	Plug	9613414101	9613414101	9613414101	9613414101	9613414101
42	1	Spindle liner	9613011601	9613009001	9613009001	9613009001	9613009001
43	2	Clamp	9613011801	9613009201	9613009201	9613009201	9613009201
44	1	Lock	9613011701	9613009101	9613009101	9613009101	9613009101
Extra parts if SpiralClean in vent cavity							
39	2	O-ring, EPDM	9611993492	9611993493	9611993493	9611993493	9611993493
40	1	O-ring, EPDM	9611993119	9611993119	9611993119	9611993119	9611993119
41	1	Flushing tube	3135710172	3135710172	3135710172	3135710172	3135710172
58	1	Spray nozzle, PVDF	9613008801	9613014801	9613014801	9613014801	9613014801
Upper sealing element							
45	1	Guide ring	9613008416	9613008417	9613008417	9613008417	9613008417
46	◆	O-ring, EPDM	9611993653	9611993654	9611993654	9611993654	9611993654
47	◆	O-ring, EPDM	9611993632	9611993636	9611993640	9611993640	9611993644
	◆	O-ring, NBR	9611993633	9611993637	9611993641	9611993641	9611993645
	◆	O-ring, FPM	9611993634	9611993638	9611993642	9611993642	9611993646
	◆	O-ring, HNBR	9611993635	9611993639	9611993643	9611993643	9611993647
48	1	Upper sealing element	9613014301	9613006501	9613018901	9613018901	9613017101
49	◆	Lip seal, EPDM	9613008501	9613008511	9613008511	9613008511	9613008511
	◆	Lip seal, NBR	9613008502	9613008512	9613008512	9613008512	9613008512
	◆	Lip seal, FPM	9613008503	9613008513	9613008513	9613008513	9613008513
	◆	Lip seal, HNBR	9613008504	9613008514	9613008514	9613008514	9613008514
66	2	Flushing tube	9613007902	9613007903	9613007904	9613007904	9613007905
67	◆	O-ring, EPDM	9611993119	9611993119	9611993119	9611993119	9611993119
68	1	Drain	9613008001	9613008001	9613008001	9613008001	9613008001
69	1	Nozzle	9613008002	9613008002	9613008002	9613008002	9613008002
Upper plug							
54	1	Guide ring, PTFE	9613008401	9613008402	9613008402	9613008402	9613008402
55	1	Upper plug	9613016202	9613008202	9613091402		9613017204
56	◆	Seal ring, EPDM	9613095106	9613095109	9613095119	9613095112	9613095112
	◆	Seal ring, NBR	9613095114	9613095115	9613095120	9613095116	9613095116
	◆	Seal ring, FPM	9613095105	9613095108	9613095118	9613095111	9613095111
	◆	Seal ring, HNBR	9613095104	9613095107	9613095117	9613095110	9613095110
	◆	Seal ring set, (10 pcs.) EPDM	8010023165	8010023166	8010023167	8010023168	8010023168
57	◆	Lip seal, EPDM	9613008706	9613008711	9613008711	9613008711	9613008711
	◆	Lip seal, NBR	9613008707	9613008712	9613008712	9613008712	9613008712
	◆	Lip seal, FPM	9613008708	9613008713	9613008713	9613008713	9613008713
	◆	Lip seal, HNBR	9613008709	9613008714	9613008714	9613008714	9613008714
Lower plug							
38	◆	O-ring, EPDM	9611993555	9611993572	9611993572	9611993572	9611993572
	◆	O-ring set, (10 pcs.) EPDM	8010023163	8010023164	8010023164	8010023164	8010023164
74	◆	Seal ring, EPDM	9613095206	9613095209	9613095219	9613095212	9613095212
	◆	Seal ring, NBR	9613095214	9613095215	9613095220	9613095216	9613095216
	◆	Seal ring, FPM Alfa Laval recommends EPDM	9613095205	9613095208	9613095218	9613095211	9613095211
	◆	Seal ring, HNBR	9613095204	9613095207	9613095217	9613095210	9613095210
	◆	Seal ring set, (10 pcs.) EPDM	8010023169	8010023170	8010023171	8010023172	8010023172
75	1	Lower plug	9613016504	9613009404	9613091104	9613017506	9613017508
Lower sealing element							
70	2	Flushing tube	9613007902	9613007903	9613007904	9613007904	9613007905
71	◆	O-ring, EPDM	9611993119	9611993119	9611993119	9611993119	9611993119
72	1	Drain	9613008001	9613008001	9613008001	9613008001	9613008001
73	1	Nozzle	9613008002	9613008002	9613008002	9613008002	9613008002
76	◆	O-ring, EPDM	9611993632	9611993636	9611993640	9611993640	9611993644
	◆	O-ring, NBR	9611993633	9611993637	9611993641	9611993641	9611993645
	◆	O-ring, FPM	9611993634	9611993638	9611993642	9611993642	9611993646
	◆	O-ring, HNBR	9611993635	9611993639	9611993643	9611993643	9611993647
77	◆	Lip seal, EPDM	9613008521	9613008526	9613008548	9613008531	9613008531
	◆	Lip seal, NBR	9613008522	9613008527	9613008549	9613008532	9613008532
	◆	Lip seal, FPM	9613008523	9613008528	9613008550	9613008533	9613008533
	◆	Lip seal, HNBR	9613008524	9613008529	9613008551	9613008534	9613008534
78	◆	O-ring, EPDM	9611993650	9611993651	9611994407	9611993652	9611993652
79	1	Lower sealing element	9613049501	9613049601	9613066101	9613049701	9613049801
80	1	Guide ring, PTFE	9613008413	9613008414	9613008420	9613008415	9613008415
81	1	Cover	9613049005	9613049006	9613049015	9613049007	9613049007
Extra parts if clamped valve body							
52	1	O-ring, EPDM	9611993632	9611993636	9611993640	9611993640	9611993644
	1	O-ring, NBR	9611993633	9611993637	9611993641	9611993641	9611993645
	1	O-ring, FPM	9611993634	9611993638	9611993642	9611993642	9611993646
	1	O-ring, HNBR	9611993635	9611993639	9611993643	9611993643	9611993647

Pos. 37, see section 20 Valve body

See note below service kits.

Plug setup 5



○ = wear parts
 * = with SpiralClean in leakage chamber

Plug setup 5

		DN/OD 51 DN 50 Seat ø53.3	DN/OD 63.5 DN/OD 76.1 DN 65/DN 80 Seat ø81.3	#2 DN/OD 101.6 DN 100 Seat ø100.3	#1 DN/OD 101.6 DN 100 Seat ø115.3	DN 125 DN 150 Seat ø115.3
♦	Service kit, EPDM	9611921647	9611921648	9611926350	9611921650	9611926041
♦	Service kit, NBR	9611921653	9611921654	9611926351	9611921656	9611926042
♦	Service kit, FPM	9611921659	9611921660	9611926352	9611921662	9611926043
♦	Service kit, HNBR	9611921665	9611921666	9611926353	9611921668	9611926044

For mixed size housings, the service kit is determined by the smallest size connection on the valve.
 One exception is any housing with 6" connections will always refer to the 6" service kits listed below:

♦	Service kit, EPDM	9611926121	9611926185	9611926390	9611926249
♦	Service kit, NBR	9611926122	9611926186	9611926391	9611926250
♦	Service kit, FPM	9611926123	9611926187	9611926392	9611926251
♦	Service kit, HNBR	9611926124	9611926188	9611926393	9611926252

Parts marked with ♦ are included in the service kit.

#1 = Serial no. below 1030000 - manufactured before October 1st 2003

#2 = Serial no. above 1030000 - manufactured after October 1st 2003

NOTE!

If different connection size on upper and lower body, except for size 6", it is always the smallest body that determines the service kit.

If clamped valve body an extra O-ring (pos. 52) is required.

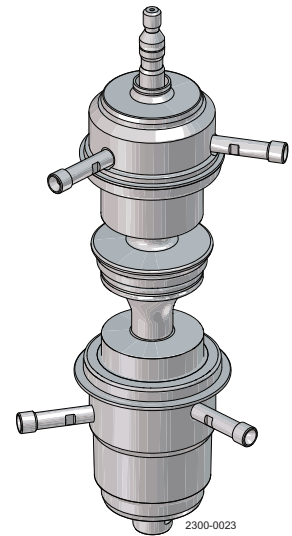
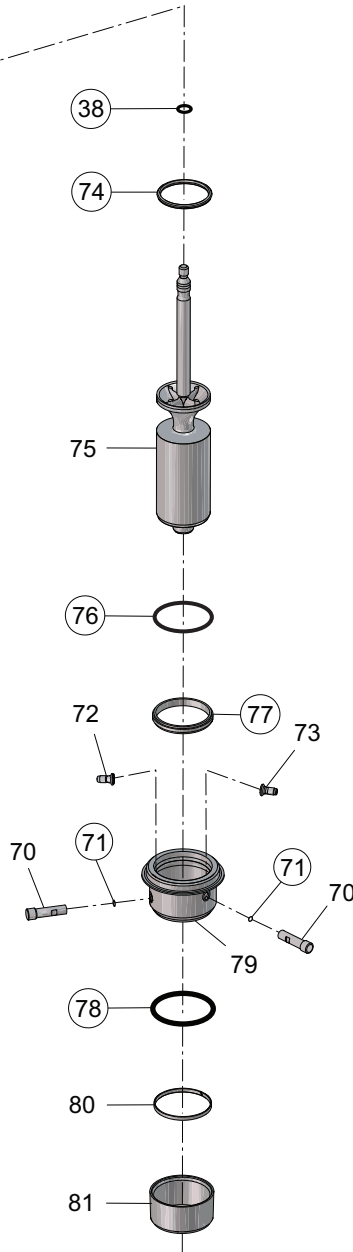
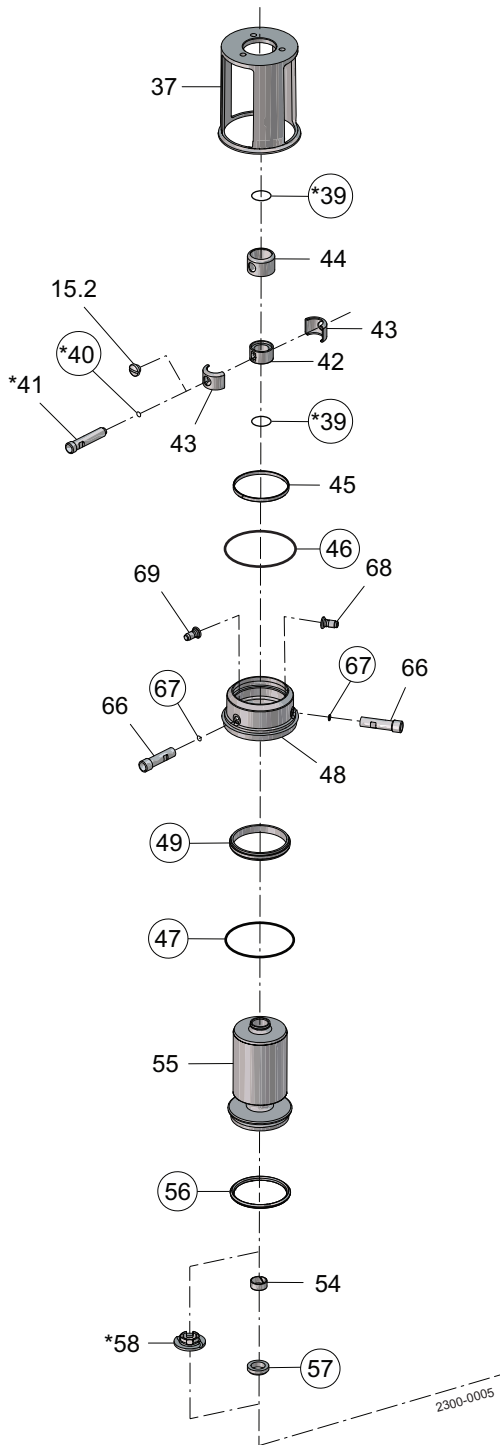
If SpiralClean in leakage chamber extra O-rings (2x pos. 39 and 1x pos. 40) is required.

Spare parts for mix size please refer to Configurator in AL Anytime

NOTE!

All FPM service kits are supplied with EPDM seal ring, pos. 74.

Plug setup 6



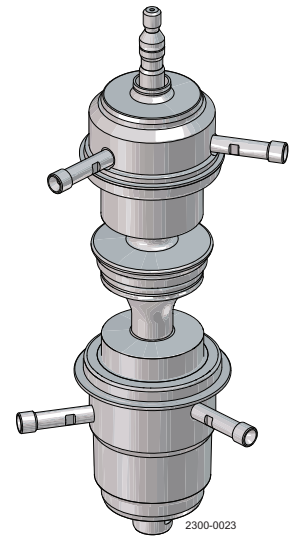
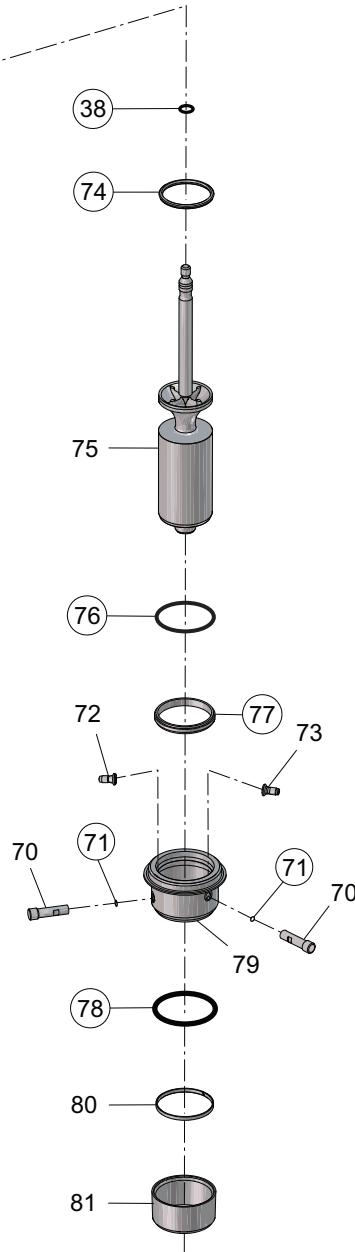
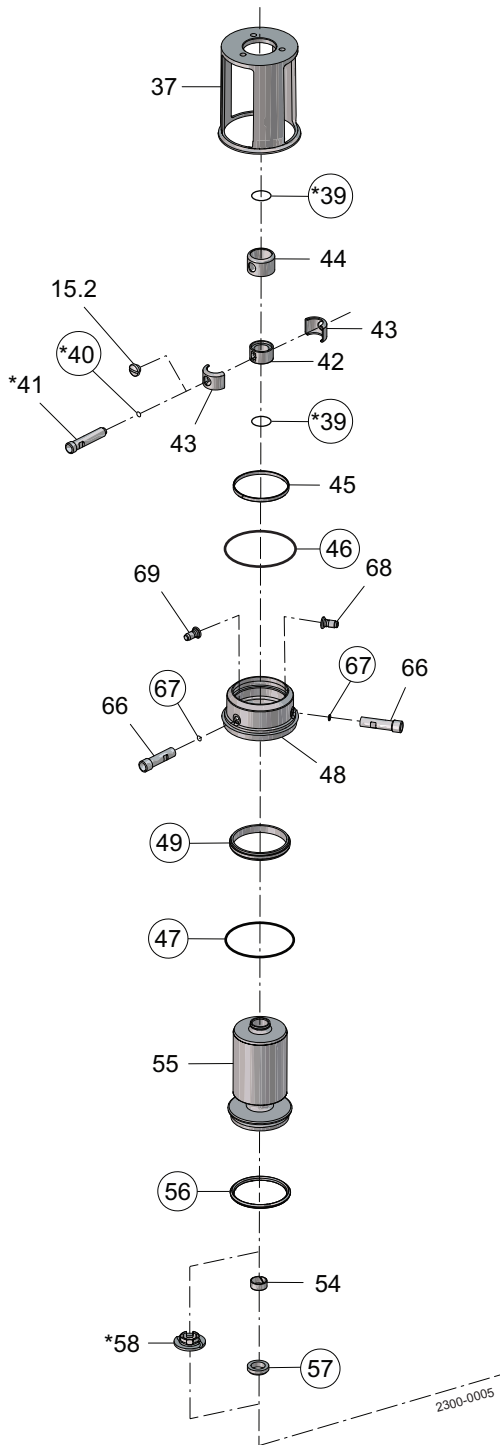
○ = wear parts
 * = with SpiralClean in leakage chamber

Pos. 37, see section 20 Valve body
 See note below service kits.

Plug setup 6

Pos	Qty	Denomination	DN/OD 38	DN/OD 51	DN/OD 63.5	#2	#1	DN 125
			DN 40	DN 50	DN/OD 76.1 DN 65/DN 80	DN/OD 101.6 DN 100	DN/OD 101.6 DN 100	DN 150
			Seat ø53.3	Seat ø53.3	Seat ø81.3	Seat ø100.3	Seat ø115.3	Seat ø115.3
Spindle liner								
15	1	Plug	9613414101	9613414101	9613414101	9613414101	9613414101	9613414101
42	1	Spindle liner	9613011601	9613011601	9613009001	9613009001	9613009001	9613009001
43	2	Clamp	9613011801	9613011801	9613009201	9613009201	9613009201	9613009201
44	1	Lock	9613011701	9613011701	9613009101	9613009101	9613009101	9613009101
Extra parts if SpiralClean in vent cavity								
39	2	O-ring, EPDM	9611993492	9611993492	9611993493	9611993493	9611993493	9611993493
40	1	O-ring, EPDM	9611993119	9611993119	9611993119	9611993119	9611993119	9611993119
41	1	Flushing tube	3135710172	3135710172	3135710172	3135710172	3135710172	3135710172
58	1	Spray nozzle, PVDF	9613008801	9613008801	9613014801	9613014801	9613014801	9613014801
Upper sealing element								
45	1	Guide ring	9613008412	9613008413	9613008414	9613008420	9613008415	9613008415
46	♦	O-ring, EPDM	9611993655	9611993650	9611993651	9611994407	9611993652	9611993652
47	♦	O-ring, EPDM	9611993628	9611993632	9611993636	9611993640	9611993640	9611993644
	♦	O-ring, NBR	9611993629	9611993633	9611993637	9611993641	9611993641	9611993645
	♦	O-ring, FPM	9611993630	9611993634	9611993638	9611993642	9611993642	9611993646
	♦	O-ring, HNBR	9611993631	9611993635	9611993639	9611993643	9611993643	9611993647
48	1	Upper sealing element	9613016101	9613049101	9613049201	9613065901	9613049301	9613049401
49	♦	Lip seal, EPDM	9613008516	9613008521	9613008526	9613008548	9613008531	9613008531
	♦	Lip seal, NBR	9613008517	9613008522	9613008527	9613008549	9613008532	9613008532
	♦	Lip seal, FPM	9613008518	9613008523	9613008528	9613008550	9613008533	9613008533
	♦	Lip seal, HNBR	9613008519	9613008524	9613008529	9613008551	9613008534	9613008534
66	2	Flushing tube	9613007901	9613007902	9613007903	9613007904	9613007904	9613007905
67	♦	O-ring, EPDM	9611993119	9611993119	9611993119	9611993119	9611993119	9611993119
68	1	Drain	9613008001	9613008001	9613008001	9613008001	9613008001	9613008001
69	1	Nozzle	9613008002	9613008002	9613008002	9613008002	9613008002	9613008002
Upper plug								
54	1	Guide ring, PTFE	9613008401	9613008401	9613008402	9613008402	9613008402	9613008402
55	1	Upper plug	9613014402	9613016302	9613009302	9613091502	9613017302	
56	♦	Seal ring, EPDM	9613095106	9613095106	9613095109	9613095119	9613095112	9613095112
	♦	Seal ring, NBR	9613095114	9613095114	9613095115	9613095120	9613095116	9613095116
	♦	Seal ring, FPM	9613095105	9613095105	9613095108	9613095118	9613095111	9613095111
	♦	Seal ring, HNBR	9613095104	9613095104	9613095107	9613095117	9613095110	9613095110
	1	Seal ring set, (10 pcs.) EPDM	8010023165	8010023165	8010023166	8010023167	8010023168	8010023168
57	♦	Lip seal, EPDM	9613008706	9613008706	9613008711	9613008711	9613008711	9613008711
	♦	Lip seal, NBR	9613008707	9613008707	9613008712	9613008712	9613008712	9613008712
	♦	Lip seal, FPM	9613008708	9613008708	9613008713	9613008713	9613008713	9613008713
	♦	Lip seal, HNBR	9613008709	9613008709	9613008714	9613008714	9613008714	9613008714
Lower plug								
38	♦	O-ring, EPDM	9611993555	9611993555	9611993572	9611993572	9611993572	9611993572
	1	O-ring set, (10 pcs.) EPDM	8010023163	8010023163	8010023164	8010023164	8010023164	8010023164
74	♦	Seal ring, EPDM	9613095206	9613095206	9613095209	9613095219	9613095212	9613095212
	♦	Seal ring, NBR	9613095214	9613095214	9613095215	9613095220	9613095216	9613095216
	♦	Seal ring, FPM Alfa Laval recommends EPDM	9613095205	9613095205	9613095208	9613095218	9613095211	9613095211
	♦	Seal ring, HNBR	9613095204	9613095204	9613095207	9613095217	9613095210	9613095210
	1	Seal ring set, (10 pcs.) EPDM	8010023169	8010023169	8010023170	8010023171	8010023172	8010023172
75	1	Lower plug	9613014604	9613016504	9613009404	9613091104	9613017506	9613017508
Lower sealing element								
70	2	Flushing tube	9613007901	9613007902	9613007903	9613007904	9613007904	9613007905
71	♦	O-ring, EPDM	9611993119	9611993119	9611993119	9611993119	9611993119	9611993119
72	1	Drain	9613008001	9613008001	9613008001	9613008001	9613008001	9613008001
73	1	Nozzle	9613008002	9613008002	9613008002	9613008002	9613008002	9613008002
76	♦	O-ring, EPDM	9611993628	9611993632	9611993636	9611993640	9611993640	9611993644
	♦	O-ring, NBR	9611993629	9611993633	9611993637	9611993641	9611993641	9611993645
	♦	O-ring, FPM	9611993630	9611993634	9611993638	9611993642	9611993642	9611993646
	♦	O-ring, HNBR	9611993631	9611993635	9611993639	9611993643	9611993643	9611993647
77	♦	Lip seal, EPDM	9613008516	9613008521	9613008526	9613008548	9613008531	9613008531
	♦	Lip seal, NBR	9613008517	9613008522	9613008527	9613008549	9613008532	9613008532
	♦	Lip seal, FPM	9613008518	9613008523	9613008528	9613008550	9613008533	9613008533
	♦	Lip seal, HNBR	9613008519	9613008524	9613008529	9613008551	9613008534	9613008534
78	♦	O-ring, EPDM	9611993655	9611993650	9611993651	9611994407	9611993652	9611993652
79	1	Lower sealing element	9613023801	9613049501	9613049601	9613066101	9613049701	9613049801
80	1	Guide ring, PTFE	9613008412	9613008413	9613008414	9613008420	9613008415	9613008415
81	1	Cover	9613049001	9613049005	9613049006	9613049015	9613049007	9613049007
Extra parts if clamped valve body								
52	1	O-ring, EPDM	9611993628	9611993632	9611993636	9611993640	9611993640	9611993644
	1	O-ring, NBR	9611993629	9611993633	9611993637	9611993641	9611993641	9611993645
	1	O-ring, FPM	9611993630	9611993634	9611993638	9611993642	9611993642	9611993646
	1	O-ring, HNBR	9611993631	9611993635	9611993639	9611993643	9611993643	9611993647

Plug setup 6



○ = wear parts
 * = with SpiralClean in leakage chamber

Pos. 37, see section 20 Valve body
 See note below service kits.

Plug setup 6

Pos	Qty	Denomination	DN/OD 38	DN/OD 51	DN/OD 63.5	#2	#1	DN 125
			DN 40	DN 50	DN 65/DN 80	DN 100	DN 100	DN 150
			Seat ø53.3	Seat ø53.3	Seat ø81.3	Seat ø100.3	Seat ø115.3	Seat ø115.3
Extra parts if clamped valve body								
52	1	O-ring, EPDM	9611993628	9611993632	9611993636	9611993640	9611993640	9611993644
	1	O-ring, NBR	9611993629	9611993633	9611993637	9611993641	9611993641	9611993645
	1	O-ring, FPM	9611993630	9611993634	9611993638	9611993642	9611993642	9611993646
	1	O-ring, HNBR	9611993631	9611993635	9611993639	9611993643	9611993643	9611993647

Pos. 37, see section .20 Valve body

See below service kits.

Service kits

		DN/OD 38	DN/OD 51	DN/OD 63.5	#2	#1	DN 125
		DN 40	DN 50	DN 65/DN 80	DN 100	DN 100	DN 150
		Seat ø53.3	Seat ø53.3	Seat ø81.3	Seat ø100.3	Seat ø115.3	Seat ø115.3
♦	Service kit, EPDM	9611921670	9611921671	9611921672	9611926354	9611921674	9611926045
♦	Service kit, NBR	9611921676	9611921677	9611921678	9611926355	9611921680	9611926046
♦	Service kit, FPM	9611921682	9611921683	9611921684	9611926356	9611921686	9611926047
♦	Service kit, HNBR	9611921688	9611921689	9611921690	9611926357	9611921692	9611926048

For mixed size housings, the service kit is determined by the smallest size connection on the valve.

One exception is any housing with 6" connections will always refer to the 6" service kits listed below:

♦	Service kit, EPDM	9611926093	9611926125	9611926189	9611926394	9611926253
♦	Service kit, NBR	9611926094	9611926126	9611926190	9611926395	9611926254
♦	Service kit, FPM	9611926095	9611926127	9611926191	9611926396	9611926255
♦	Service kit, HNBR	9611926096	9611926128	9611926192	9611926397	9611926256

Parts marked with ♦ are included in the service kit.

#1 = Serial no. below 1030000 - manufactured before October 1st 2003

#2 = Serial no. above 1030000 - manufactured after October 1st 2003

NOTE!

If different connection size on upper and lower body, except for size 6", it is always the smallest body that determines the service kit.

If clamped valve body an extra O-ring (pos. 52) is required.

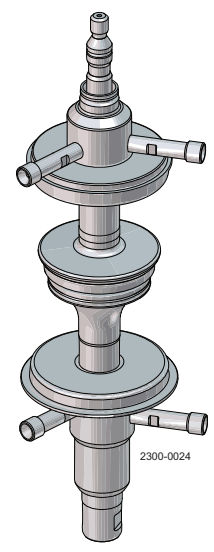
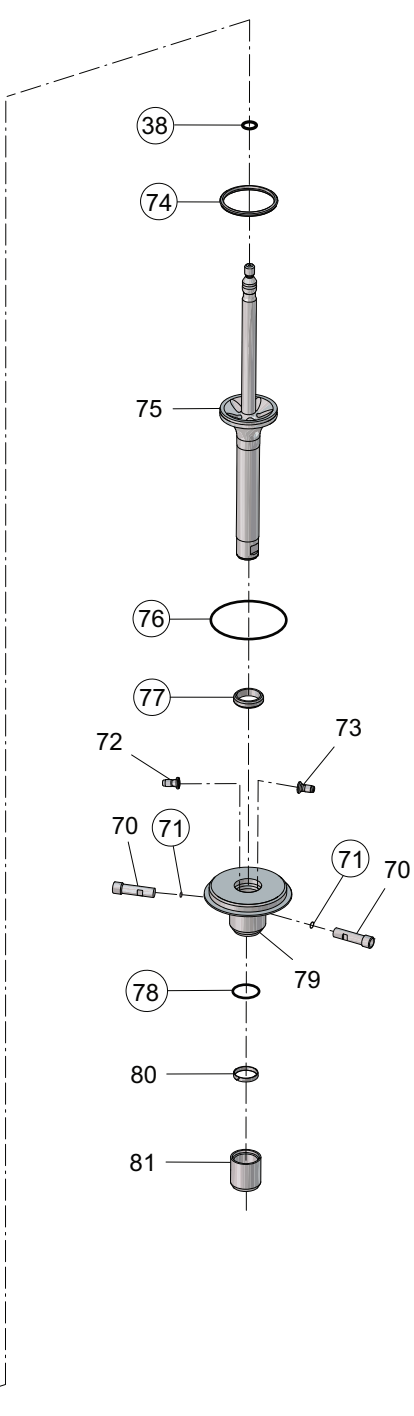
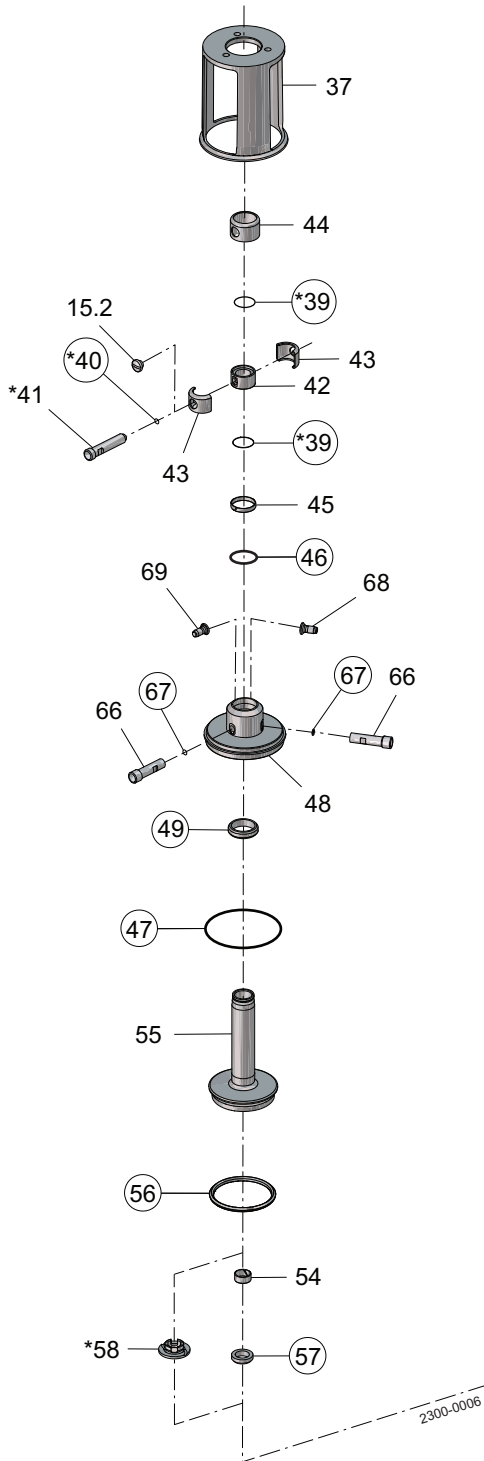
If SpiralClean in leakage chamber extra O-rings (2x pos. 39 and 1x pos. 40) is required.

Spare parts for mix size please refer to Configurator in AL Anytime

NOTE!

All FPM service kits are supplied with EPDM seal ring, pos. 74.

Plug setup 7



○ = wear parts
 * = with SpiralClean in leakage chamber

Pos. 37, see section 20 Valve body
 See note below service kits.

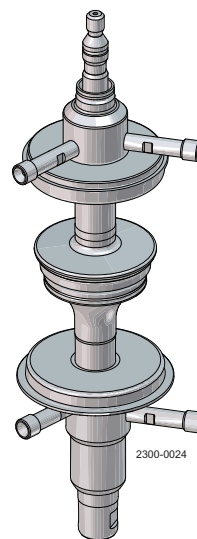
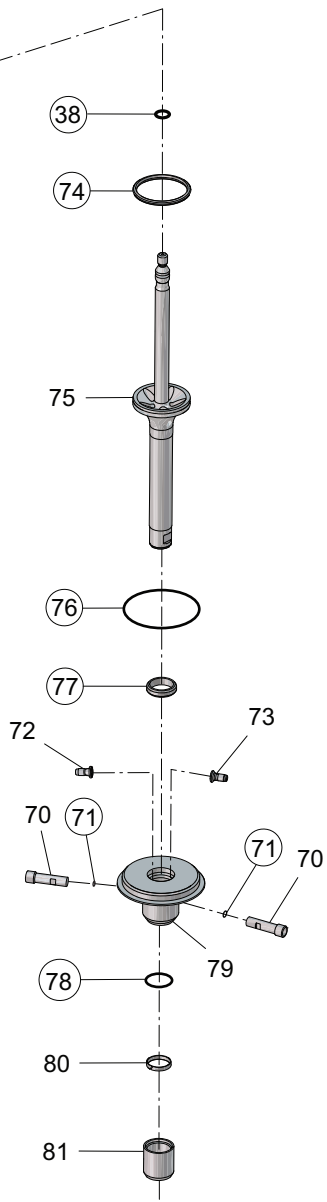
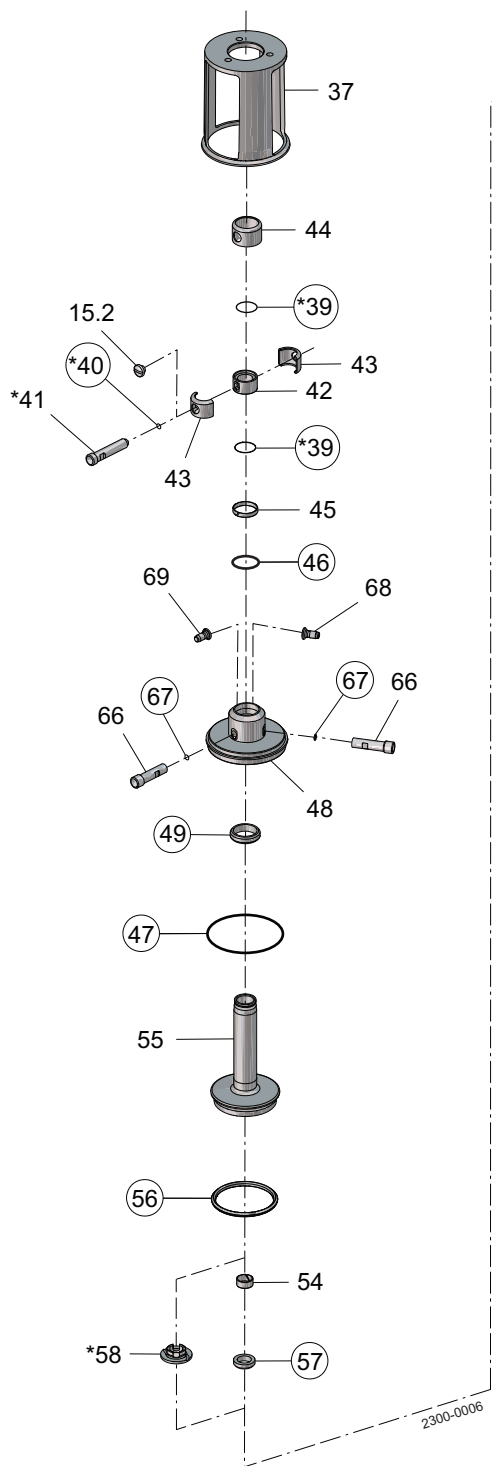
Plug setup 7

Pos	Qty	Denomination	DN/OD 51	DN/OD 63.5	#2	#1	DN 125
			DN 50	DN/OD 76.1	DN/OD 101.6	DN/OD 101.6	DN 150
			Seat ø53.3	Seat ø81.3	Seat ø100.3	Seat ø115.3	Seat ø115.3
Spindle liner							
15	1	Plug	9613414101	9613414101	9613414101	9613414101	9613414101
42	1	Spindle liner	9613011601	9613009001	9613009001	9613009001	9613009001
43	2	Clamp	9613011801	9613009201	9613009201	9613009201	9613009201
44	1	Lock	9613011701	9613009101	9613009101	9613009101	9613009101
Extra parts if SpiralClean in vent cavity							
39	2	O-ring, EPDM	9611993492	9611993493	9611993493	9611993493	9611993493
40	1	O-ring, EPDM	9611993119	9611993119	9611993119	9611993119	9611993119
41	1	Flushing tube	3135710172	3135710172	3135710172	3135710172	3135710172
58	1	Spray nozzle, PVDF	9613008801	9613014801	9613014801	9613014801	9613014801
Upper sealing element							
45	1	Guide ring, PTFE	9613008416	9613008417	9613008417	9613008417	9613008417
46	◆	O-ring, EPDM	9611993653	9611993654	9611993654	9611993654	9611993654
47	◆	O-ring, EPDM	9611993632	9611993636	9611993640	9611993640	9611993644
	◆	O-ring, NBR	9611993633	9611993637	9611993641	9611993641	9611993645
	◆	O-ring, FPM	9611993634	9611993638	9611993642	9611993642	9611993646
	◆	O-ring, HNBR	9611993635	9611993639	9611993643	9611993643	9611993647
48	1	Upper sealing element	9613014301	9613006501	9613018901	9613018901	9613017101
49	◆	Lip seal, EPDM	9613008501	9613008511	9613008511	9613008511	9613008511
	◆	Lip seal, NBR	9613008502	9613008512	9613008512	9613008512	9613008512
	◆	Lip seal, FPM	9613008503	9613008513	9613008513	9613008513	9613008513
	◆	Lip seal, HNBR	9613008504	9613008514	9613008514	9613008514	9613008514
66	2	Flushing tube	9613007902	9613007903	9613007904	9613007904	9613007905
67	◆	O-ring, EPDM	9611993119	9611993119	9611993119	9611993119	9611993119
68	1	Drain	9613008001	9613008001	9613008001	9613008001	9613008001
69	1	Nozzle	9613008002	9613008002	9613008002	9613008002	9613008002
Upper plug							
54	1	Guide ring, PTFE	9613008401	9613008402	9613008402	9613008402	9613008402
55	1	Upper plug	9613016202	9613008202	9613091402		9613017204
56	◆	Seal ring, EPDM	9613095106	9613095109	9613095119	9613095112	9613095112
	◆	Seal ring, NBR	9613095114	9613095115	9613095120	9613095116	9613095116
	◆	Seal ring, FPM	9613095105	9613095108	9613095118	9613095111	9613095111
	◆	Seal ring, HNBR	9613095104	9613095107	9613095117	9613095110	9613095110
	◆	Seal ring set, (10 pcs.) EPDM	8010023165	8010023166	8010023167	8010023168	8010023168
57	◆	Lip seal, EPDM	9613008706	9613008711	9613008711	9613008711	9613008711
	◆	Lip seal, NBR	9613008707	9613008712	9613008712	9613008712	9613008712
	◆	Lip seal, FPM	9613008708	9613008713	9613008713	9613008713	9613008713
	◆	Lip seal, HNBR	9613008709	9613008714	9613008714	9613008714	9613008714
Lower plug							
38	◆	O-ring, EPDM	9611993555	9611993572	9611993572	9611993572	9611993572
	◆	O-ring set, (10 pcs.) EPDM	8010023163	8010023164	8010023164	8010023164	8010023164
74	◆	Seal ring, EPDM	9613095206	9613095209	9613095219	9613095212	9613095212
	◆	Seal ring, NBR	9613095214	9613095215	9613095220	9613095216	9613095216
	◆	Seal ring, FPM Alfa Laval recommends EPDM	9613095205	9613095208	9613095218	9613095211	9613095211
	◆	Seal ring, HNBR	9613095204	9613095207	9613095217	9613095210	9613095210
	◆	Seal ring set, (10 pcs.) EPDM	8010023169	8010023170	8010023171	8010023172	8010023172
75	1	Lower plug	9613016404		9613091004		9613017408
Lower sealing element							
70	2	Flushing tube	9613007902	9613007903	9613007904	9613007904	9613007905
71	◆	O-ring, EPDM	9611993119	9611993119	9611993119	9611993119	9611993119
72	1	Drain	9613008001	9613008001	9613008001	9613008001	9613008001
73	1	Nozzle	9613008002	9613008002	9613008002	9613008002	9613008002
76	◆	O-ring, EPDM	9611993632	9611993636	9611993640	9611993640	9611993644
	◆	O-ring, NBR	9611993633	9611993637	9611993641	9611993641	9611993645
	◆	O-ring, FPM	9611993634	9611993638	9611993642	9611993642	9611993646
	◆	O-ring, HNBR	9611993635	9611993639	9611993643	9611993643	9611993647
77	◆	Lip seal, EPDM	9613008501	9613008511	9613008511	9613008511	9613008511
	◆	Lip seal, NBR	9613008502	9613008512	9613008512	9613008512	9613008512
	◆	Lip seal, FPM	9613008503	9613008513	9613008513	9613008513	9613008513
	◆	Lip seal, HNBR	9613008504	9613008514	9613008514	9613008514	9613008514
78	◆	O-ring, EPDM	9611993653	9611993654	9611993654	9611993654	9611993654
79	1	Lower sealing element	9613024001	9613024201	9613024401	9613024401	9613024601
80	1	Guide ring, PTFE	9613008416	9613008417	9613008417	9613008417	9613008417
81	1	Cover	9613049002	9613049003	9613049004	9613049004	9613049004
Extra parts if clamped valve body							
52	1	O-ring, EPDM	9611993632	9611993636	9611993640	9611993640	9611993644
	1	O-ring, NBR	9611993633	9611993637	9611993641	9611993641	9611993645
	1	O-ring, FPM	9611993634	9611993638	9611993642	9611993642	9611993646
	1	O-ring, HNBR	9611993635	9611993639	9611993643	9611993643	9611993647

Pos. 37, see section 20 Valve body

See note below service kits.

Plug setup 7



○ = wear parts

* = with SpiralClean in leakage chamber

Plug setup 7

		DN/OD 51 DN 50 Seat ø53.3	DN/OD 63.5 DN/OD 76.1 DN 65/DN 80 Seat ø81.3	#2 DN/OD 101.6 DN 100 Seat ø100.3	#1 DN/OD 101.6 DN 100 Seat ø115.3	DN 125 DN 150 Seat ø115.3
♦	Service kit, EPDM	9611921695	9611921697	9611926358	9611921699	9611926049
♦	Service kit, NBR	9611921701	9611921703	9611926359	9611921705	9611926050
♦	Service kit, FPM	9611921707	9611921709	9611926360	9611921711	9611926051
♦	Service kit, HNBR	9611921713	9611921715	9611926361	9611921717	9611926052

For mixed size housings, the service kit is determined by the smallest size connection on the valve.
One exception is any housing with 6" connections will always refer to the 6" service kits listed below:

♦	Service kit, EPDM	9611926129	9611926193	9611926398	9611926257
♦	Service kit, NBR	9611926130	9611926194	9611926399	9611926258
♦	Service kit, FPM	9611926131	9611926195	9611926400	9611926259
♦	Service kit, HNBR	9611926132	9611926196	9611926401	9611926260

Parts marked with ♦ are included in the service kit.

#1 = Serial no. below 1030000 - manufactured before October 1st 2003

#2 = Serial no. above 1030000 - manufactured after October 1st 2003

NOTE!

If different connection size on upper and lower body, except for size 6", it is always the smallest body that determines the service kit.

If clamped valve body an extra O-ring (pos. 52) is required.

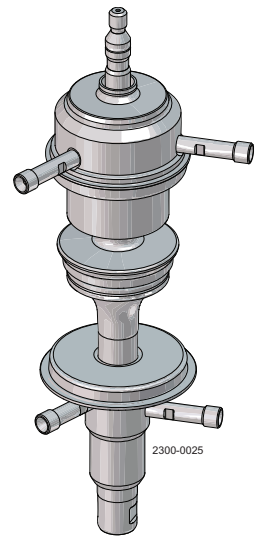
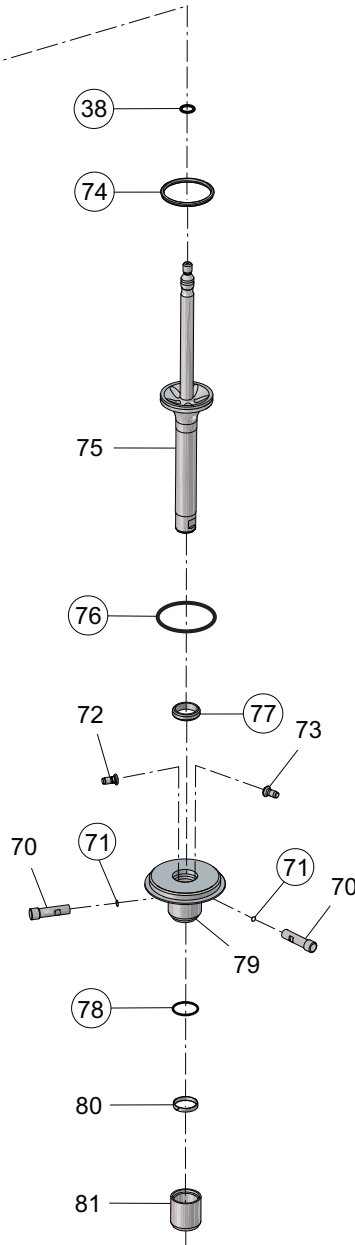
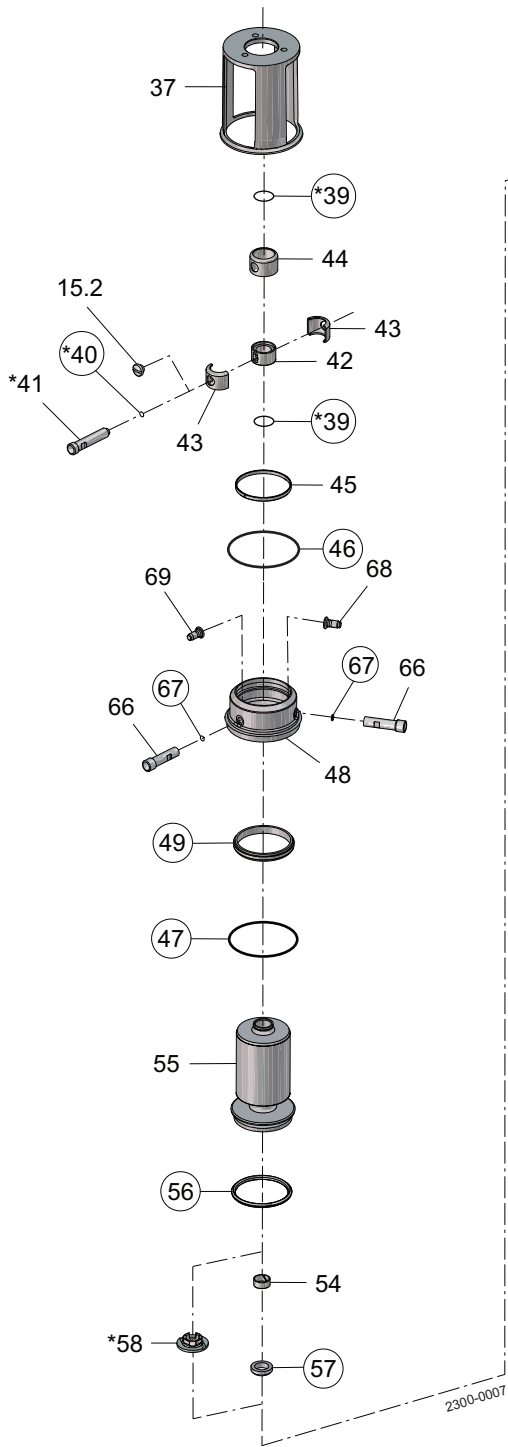
If SpiralClean in leakage chamber extra O-rings (2x pos. 39 and 1x pos. 40) is required.

Spare parts for mix size please refer to Configurator in AL Anytime

NOTE!

All FPM service kits are supplied with EPDM seal ring, pos. 74.

Plug setup 8



○ = wear parts
 * = with SpiralClean in leakage chamber

Pos. 37, see section 20 Valve body
 See note below service kits.

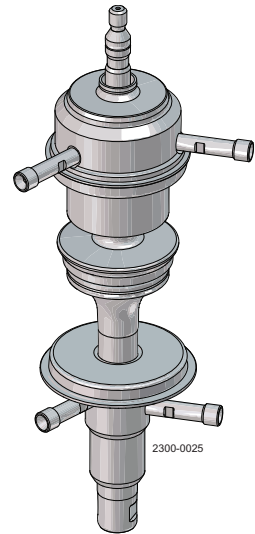
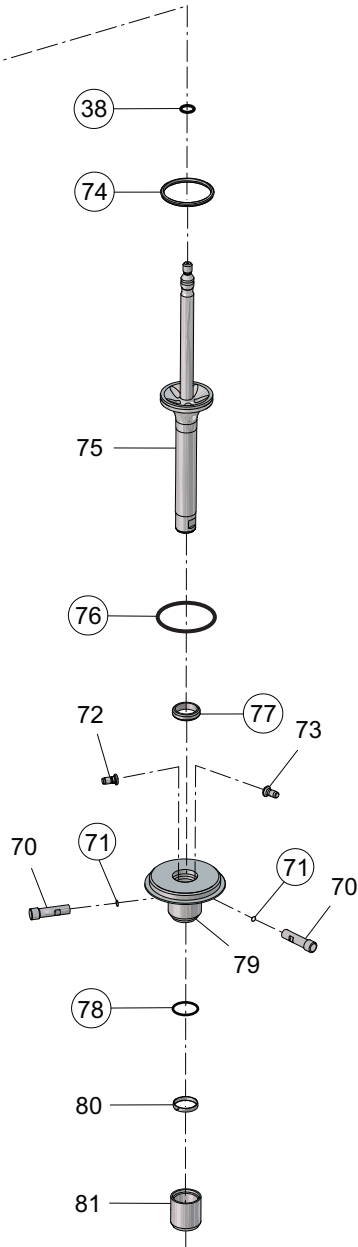
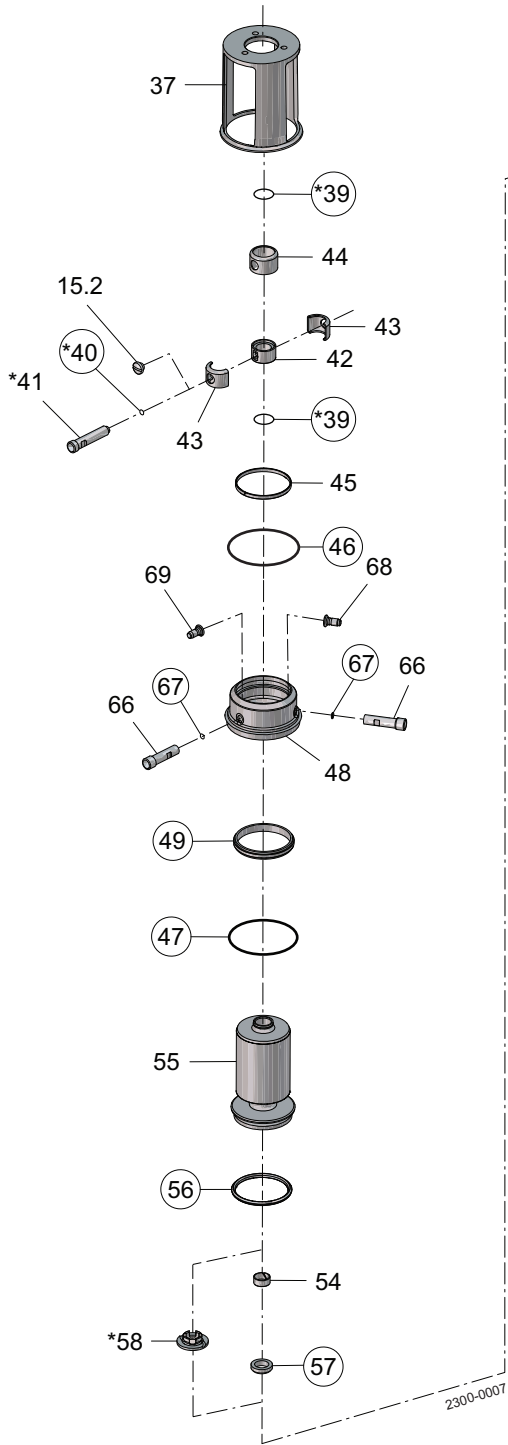
Plug setup 8

Pos	Qty	Denomination	DN/OD 51	DN/OD 63.5	#2	#1	DN 125
			DN 50	DN 65/DN80	DN/OD 101.6	DN/OD 101.6	DN 150
			Seat ø53.3	Seat ø81.3	Seat ø100.3	Seat ø115.3	Seat ø115.3
Spindle liner							
15	1	Plug	9613414101	9613414101	9613414101	9613414101	9613414101
42	1	Spindle liner	9613011601	9613009001	9613009001	9613009001	9613009001
43	2	Clamp	9613011801	9613009201	9613009201	9613009201	9613009201
44	1	Lock	9613011701	9613009101	9613009101	9613009101	9613009101
Extra parts if SpiralClean in vent cavity							
39	2	O-ring, EPDM	9611993492	9611993493	9611993493	9611993493	9611993493
40	1	O-ring, EPDM	9611993119	9611993119	9611993119	9611993119	9611993119
41	1	Flushing tube	3135710172	3135710172	3135710172	3135710172	3135710172
58	1	Spray nozzle, PVDF	9613008801	9613014801	9613014801	9613014801	9613014801
Upper sealing element							
45	1	Guide ring, PTFE	9613008413	9613008414	9613008420	9613008415	9613008415
46	♦	O-ring, EPDM	9611993650	9611993651	9611994407	9611993652	9611993652
47	♦	O-ring, EPDM	9611993632	9611993636	9611993640	9611993640	9611993644
	♦	O-ring, NBR	9611993633	9611993637	9611993641	9611993641	9611993645
	♦	O-ring, FPM	9611993634	9611993638	9611993642	9611993642	9611993646
	♦	O-ring, HNBR	9611993635	9611993639	9611993643	9611993643	9611993647
48	1	Upper sealing element	9613049101	9613049201	9613065901	9613049301	9613049401
49	♦	Lip seal, EPDM	9613008521	9613008526	9613008548	9613008531	9613008531
	♦	Lip seal, NBR	9613008522	9613008527	9613008549	9613008532	9613008532
	♦	Lip seal, FPM	9613008523	9613008528	9613008550	9613008533	9613008533
	♦	Lip seal, HNBR	9613008524	9613008529	9613008551	9613008534	9613008534
66	2	Flushing tube	9613007902	9613007903	9613007904	9613007904	9613007905
67	♦	O-ring, EPDM	9611993119	9611993119	9611993119	9611993119	9611993119
68	1	Drain	9613008001	9613008001	9613008001	9613008001	9613008001
69	1	Nozzle	9613008002	9613008002	9613008002	9613008002	9613008002
Upper plug							
54	1	Guide ring, PTFE	9613008401	9613008402	9613008402	9613008402	9613008402
55	1	Upper plug	9613016302	9613009302	9613091502	9613017302	
56	♦	Seal ring, EPDM	9613095106	9613095109	9613095119	9613095112	9613095112
	♦	Seal ring, NBR	9613095114	9613095115	9613095120	9613095116	9613095116
	♦	Seal ring, FPM	9613095105	9613095108	9613095118	9613095111	9613095111
	♦	Seal ring, HNBR	9613095104	9613095107	9613095117	9613095110	9613095110
	1	Seal ring set, (10 pcs.) EPDM	8010023165	8010023166	8010023167	8010023168	8010023168
57	♦	Lip seal, EPDM	9613008706	9613008711	9613008711	9613008711	9613008711
	♦	Lip seal, NBR	9613008707	9613008712	9613008712	9613008712	9613008712
	♦	Lip seal, FPM	9613008708	9613008713	9613008713	9613008713	9613008713
	♦	Lip seal, HNBR	9613008709	9613008714	9613008714	9613008714	9613008714
Lower plug							
38	♦	O-ring, EPDM	9611993555	9611993572	9611993572	9611993572	9611993572
	1	O-ring set, (10 pcs.) EPDM	8010023163	8010023164	8010023164	8010023164	8010023164
74	♦	Seal ring, EPDM	9613095206	9613095209	9613095219	9613095212	9613095212
	♦	Seal ring, NBR	9613095214	9613095215	9613095220	9613095216	9613095216
	♦	Seal ring, FPM Alfa Laval recommends EPDM	9613095205	9613095208	9613095218	9613095211	9613095211
	♦	Seal ring, HNBR	9613095204	9613095207	9613095217	9613095210	9613095210
	1	Seal ring set, (10 pcs.) EPDM	8010023169	8010023170	8010023171	8010023172	8010023172
75	1	Lower plug	9613016404		9613091004		9613017408
Lower sealing element							
70	2	Flushing tube	9613007902	9613007903	9613007904	9613007904	9613007905
71	♦	O-ring, EPDM	9611993119	9611993119	9611993119	9611993119	9611993119
72	1	Drain	9613008001	9613008001	9613008001	9613008001	9613008001
73	1	Nozzle	9613008002	9613008002	9613008002	9613008002	9613008002
76	1	O-ring, EPDM	9611993632	9611993636	9611993640	9611993640	9611993644
	♦	O-ring, NBR	9611993633	9611993637	9611993641	9611993641	9611993645
	♦	O-ring, FPM	9611993634	9611993638	9611993642	9611993642	9611993646
	♦	O-ring, HNBR	9611993635	9611993639	9611993643	9611993643	9611993647
77	♦	Lip seal, EPDM	9613008501	9613008511	9613008511	9613008511	9613008511
	♦	Lip seal, NBR	9613008502	9613008512	9613008512	9613008512	9613008512
	♦	Lip seal, FPM	9613008503	9613008513	9613008513	9613008513	9613008513
	♦	Lip seal, HNBR	9613008504	9613008514	9613008514	9613008514	9613008514
78	♦	O-ring, EPDM	9611993653	9611993654	9611993654	9611993654	9611993654
79	1	Lower sealing element	9613024001	9613024201	9613024401	9613024401	9613024601
80	1	Guide ring, PTFE	9613008416	9613008417	9613008417	9613008417	9613008417
81	1	Cover	9613049002	9613049003	9613049004	9613049004	9613049004
Extra parts if clamped valve body							
52	1	O-ring, EPDM	9611993632	9611993636	9611993640	9611993640	9611993644
	1	O-ring, NBR	9611993633	9611993637	9611993641	9611993641	9611993645
	1	O-ring, FPM	9611993634	9611993638	9611993642	9611993642	9611993646
	1	O-ring, HNBR	9611993635	9611993639	9611993643	9611993643	9611993647

Pos. 37, see section 20 Valve body

See note below service kits.

Plug setup 8



○ = wear parts

* = with SpiralClean in leakage chamber

2300-0007

2300-0025

Plug setup 8

		DN/OD 51 DN 50 Seat ø53.3	DN/OD 63.5 DN/OD 76.1 DN 65/DN 80 Seat ø81.3	#2 DN/OD 101.6 DN 100 Seat ø100.3	#1 DN/OD 101.6 DN 100 Seat ø115.3	DN 125 DN 150 Seat ø115.3
♦	Service kit, EPDM	9611921647	9611921648	9611926350	9611921650	9611926041
♦	Service kit, NBR	9611921653	9611921654	9611926351	9611921656	9611926042
♦	Service kit, FPM	9611921659	9611921660	9611926352	9611921662	9611926043
♦	Service kit, HNBR	9611921665	9911921666	9611926353	9611921668	9611926044

For mixed size housings, the service kit is determined by the smallest size connection on the valve.

One exception is any housing with 6" connections will always refer to the 6" service kits listed below:

♦	Service kit, EPDM	9611926121	9611926185	9611926390	9611926249
♦	Service kit, NBR	9611926122	9611926186	9611926391	9611926250
♦	Service kit, FPM	9611926123	9611926187	9611926392	9611926251
♦	Service kit, HNBR	9611926124	9611926188	9611926393	9611926252

Parts marked with ♦ are included in the service kit.

#1 = Serial no. below 1030000 - manufactured before October 1st 2003

#2 = Serial no. above 1030000 - manufactured after October 1st 2003

NOTE!

If different connection size on upper and lower body, except for size 6", it is always the smallest body that determines the service kit.

If clamped valve body an extra O-ring (pos. 52) is required.

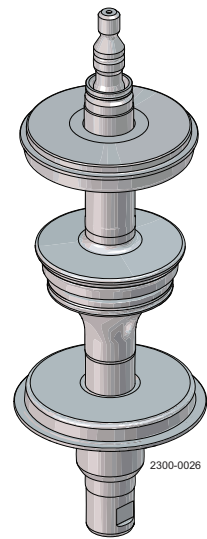
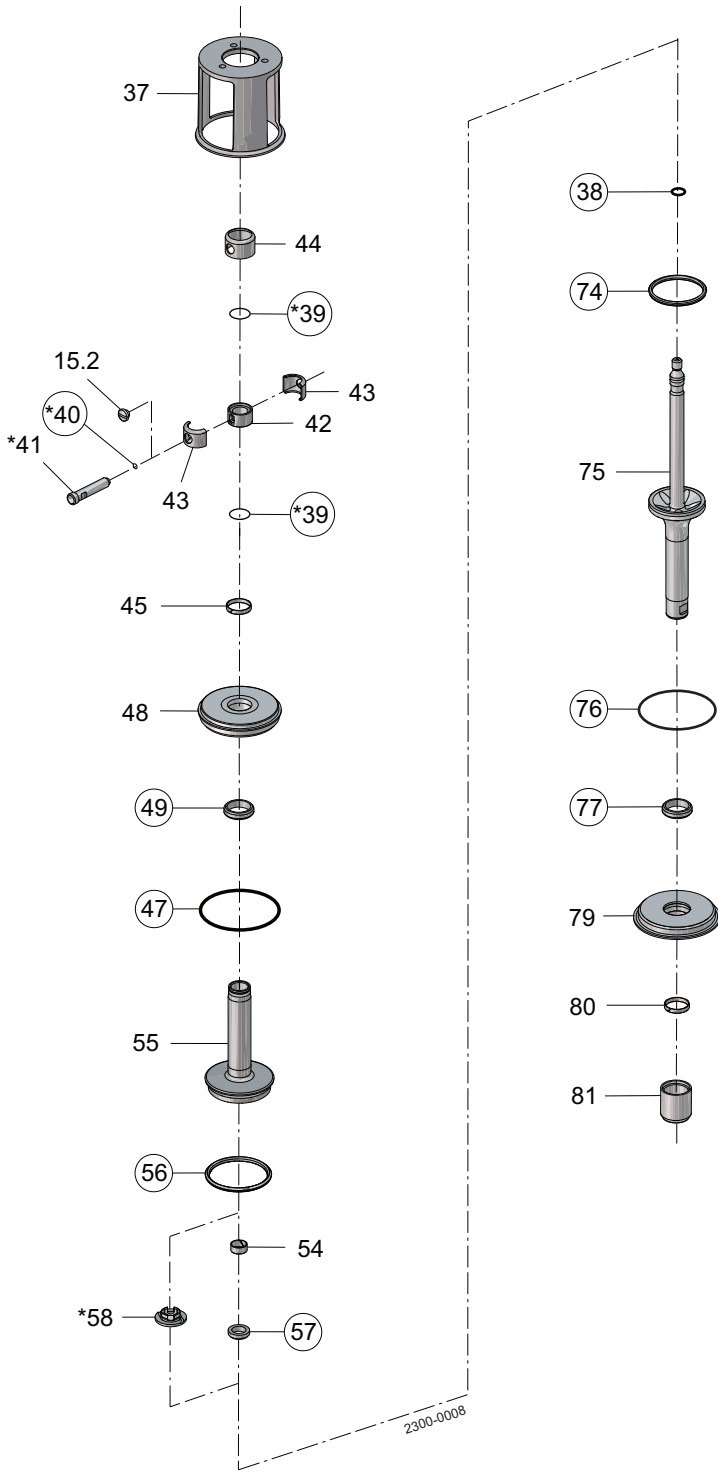
If SpiralClean in leakage chamber extra O-rings (2x pos. 39 and 1x pos. 40) is required.

Spare parts for mix size please refer to Configurator in AL Anytime

NOTE!

All FPM service kits are supplied with EPDM seal ring, pos. 74.

Plug setup 9



- = wear parts
- ★ = with SpiralClean in leakage chamber

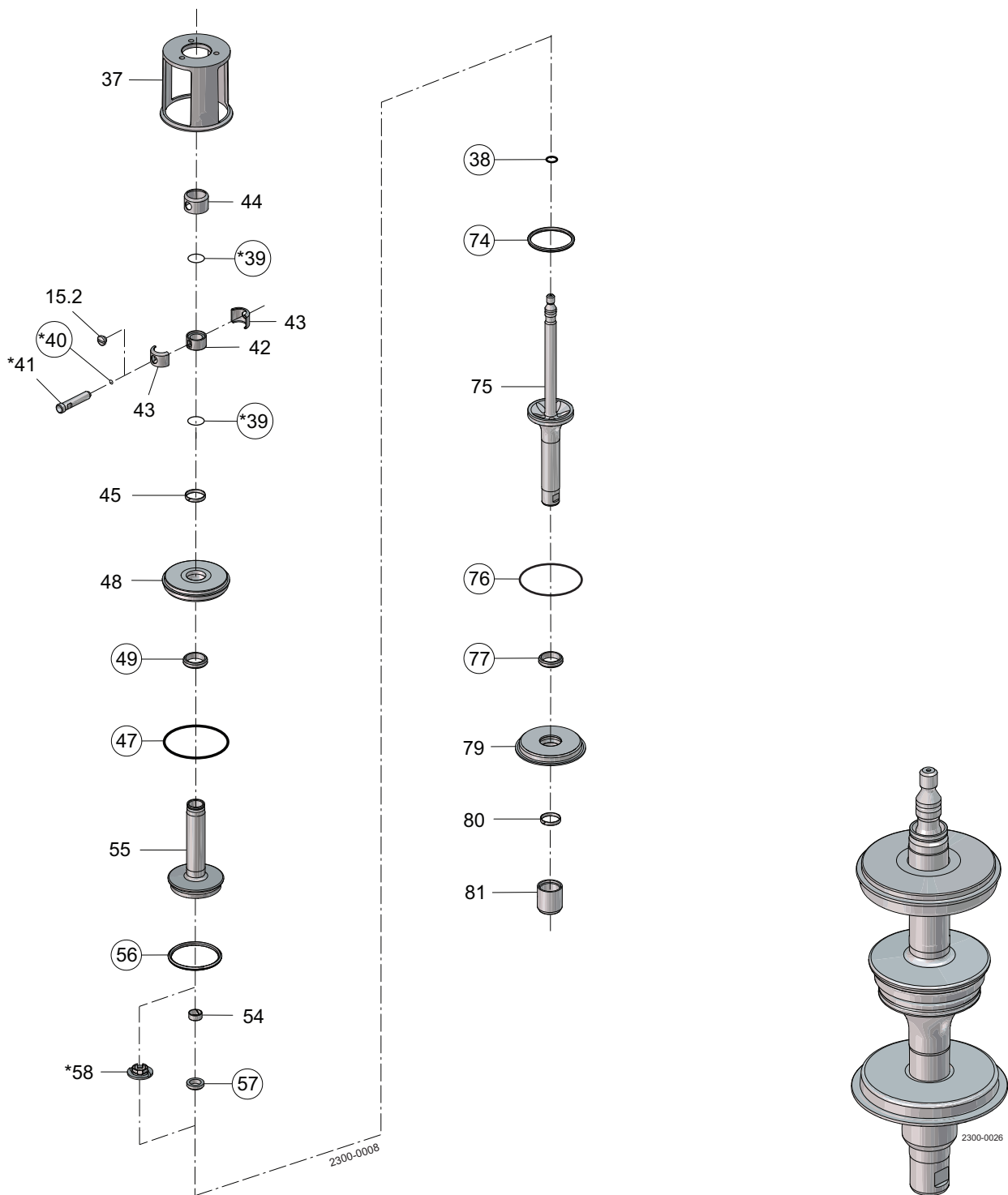
Pos. 37, see section 20 Valve body
See note below service kits.

Plug setup 9

Pos	Qty	Denomination	DN/OD 51	DN/OD 63.5	#2	#1	DN 125
			DN 50 Seat ø53.3	DN/OD 76.1 DN 65/DN 80 Seat ø81.3	DN/OD 101.6 DN 100 Seat ø100.3	DN/OD 101.6 DN 100 Seat ø115.3	DN 150 Seat ø115.3
Spindle liner							
15	1	Plug	9613414101	9613414101	9613414101	9613414101	9613414101
42	1	Spindle liner	9613011601	9613009001	9613009001	9613009001	9613009001
43	2	Clamp	9613011801	9613009201	9613009201	9613009201	9613009201
44	1	Lock	9613011701	9613009101	9613009101	9613009101	9613009101
Extra parts if SpiralClean in vent cavity							
39	2	O-ring, EPDM	9611993492	9611993493	9611993493	9611993493	9611993493
40	1	O-ring, EPDM	9611993119	9611993119	9611993119	9611993119	9611993119
41	1	Flushing tube	3135710172	3135710172	3135710172	3135710172	3135710172
58	1	Spray nozzle, PVDF	9613008801	9613014801	9613014801	9613014801	9613014801
Upper sealing element							
45	1	Guide ring, PTFE	9613008416	9613008417	9613008417	9613008417	9613008417
47	◆	O-ring, EPDM	9611993632	9611993636	9611993640	9611993640	9611993644
	◆	O-ring, NBR	9611993633	9611993637	9611993641	9611993641	9611993645
	◆	O-ring, FPM	9611993634	9611993638	9611993642	9611993642	9611993646
	◆	O-ring, HNBR	9611993635	9611993639	9611993643	9611993643	9611993647
48	1	Upper sealing element	9613014201	9613006401	9613018801	9613018801	9613017001
49	◆	Lip seal, EPDM	9613008501	9613008511	9613008511	9613008511	9613008511
	◆	Lip seal, NBR	9613008502	9613008512	9613008512	9613008512	9613008512
	◆	Lip seal, FPM	9613008503	9613008513	9613008513	9613008513	9613008513
	◆	Lip seal, HNBR	9613008504	9613008514	9613008514	9613008514	9613008514
Upper plug							
54	1	Guide ring, PTFE	9613008401	9613008402	9613008402	9613008402	9613008402
55	1	Upper plug	9613016201	9613008201	9613091401	9613017201	9613017203
56	◆	Seal ring, EPDM	9613095106	9613095109	9613095119	9613095112	9613095112
	◆	Seal ring, NBR	9613095114	9613095115	9613095120	9613095116	9613095116
	◆	Seal ring, FPM	9613095105	9613095108	9613095118	9613095111	9613095111
	◆	Seal ring, HNBR	9613095104	9613095107	9613095117	9613095110	9613095110
	1	Seal ring set, (10 pcs.) EPDM	8010023165	8010023166	8010023167	8010023168	8010023168
57	◆	Lip seal, EPDM	9613008706	9613008711	9613008711	9613008711	9613008711
	◆	Lip seal, NBR	9613008707	9613008712	9613008712	9613008712	9613008712
	◆	Lip seal, FPM	9613008708	9613008713	9613008713	9613008713	9613008713
	◆	Lip seal, HNBR	9613008709	9613008714	9613008714	9613008714	9613008714
Lower plug							
38	◆	O-ring, EPDM	9611993555	9611993572	9611993572	9611993572	9611993572
	1	O-ring set, (10 pcs.) EPDM	8010023163	8010023164	8010023164	8010023164	8010023164
74	◆	Seal ring, EPDM	9613095206	9613095209	9613095219	9613095212	9613095212
	◆	Seal ring, NBR	9613095214	9613095215	9613095220	9613095216	9613095216
	◆	Seal ring, FPM, Alfa Laval recommends					
	◆	EPDM	9613095205	9613095208	9613095218	9613095211	9613095211
	◆	Seal ring, HNBR	9613095204	9613095207	9613095217	9613095210	9613095210
	1	Seal ring set, (10 pcs.) EPDM	8010023169	8010023170	8010023171	8010023172	8010023172
75	1	Lower plug	9613016401	9613008301	9613091001	9613017401	9613017403
Lower sealing element							
76	◆	O-ring, EPDM	9611993632	9611993636	9611993640	9611993640	9611993644
	◆	O-ring, NBR	9611993633	9611993637	9611993641	9611993641	9611993645
	◆	O-ring, FPM	9611993634	9611993638	9611993642	9611993642	9611993646
	◆	O-ring, HNBR	9611993635	9611993639	9611993643	9611993643	9611993647
77	◆	Lip seal, EPDM	9613008501	9613008511	9613008511	9613008511	9613008511
	◆	Lip seal, NBR	9613008502	9613008512	9613008512	9613008512	9613008512
	◆	Lip seal, FPM	9613008503	9613008513	9613008513	9613008513	9613008513
	◆	Lip seal, HNBR	9613008504	9613008514	9613008514	9613008514	9613008514
79	1	Lower sealing element	9613023901	9613024101	9613024301	9613024301	9613024501
80	1	Guide ring, PTFE	9613008416	9613008417	9613008417	9613008417	9613008417
81	1	Cover	9613049002	9613049003	9613049004	9613049004	9613049004
Extra parts if clamped valve body							
52	1	O-ring, EPDM	9611993632	9611993636	9611993640	9611993640	9611993644
	1	O-ring, NBR	9611993633	9611993637	9611993641	9611993641	9611993645
	1	O-ring, FPM	9611993634	9611993638	9611993642	9611993642	9611993646
	1	O-ring, HNBR	9611993635	9611993639	9611993643	9611993643	9611993647

Pos. 37, see section 20 Valve body

See note below service kits.



○ = wear parts

★ = with SpiralClean in leakage chamber

Plug setup 9

		DN/OD 51 DN 50 Seat ø53.3	DN/OD 63.5 DN/OD 76.1 DN 65/DN 80 Seat ø81.3	#2 DN/OD 101.6 DN 100 Seat ø100.3	#1 DN/OD 101.6 DN 100 Seat ø115.3	DN 125 DN 150 Seat ø115.3
♦	Service kit, EPDM	9611921743	9611921745	9611926362	9611921747	9611926057
♦	Service kit, NBR	9611921749	9611921751	9611926363	9611921753	9611926058
♦	Service kit, FPM	9611921755	9611921757	9611926364	9611921759	9611926059
♦	Service kit, HNBR	9611921761	9611921763	9611926365	9611921765	9611926060

For mixed size housings, the service kit is determined by the smallest size connection on the valve.

One exception is any housing with 6" connections will always refer to the 6" service kits listed below:

♦	Service kit, EPDM	9611926137	9611926201	9611926202	9611926265
♦	Service kit, NBR	9611926138	9611926202	9611926203	9611926266
♦	Service kit, FPM	9611926139	9611926203	9611926404	9611926267
♦	Service kit, HNBR	9611926140	9611926204	9611926405	9611926268

Parts marked with ♦ are included in the service kit.

#1 = Serial no. below 1030000 - manufactured before October 1st 2003

#2 = Serial no. above 1030000 - manufactured after October 1st 2003

NOTE!

If different connection size on upper and lower body, except for size 6", it is always the smallest body that determines the service kit.

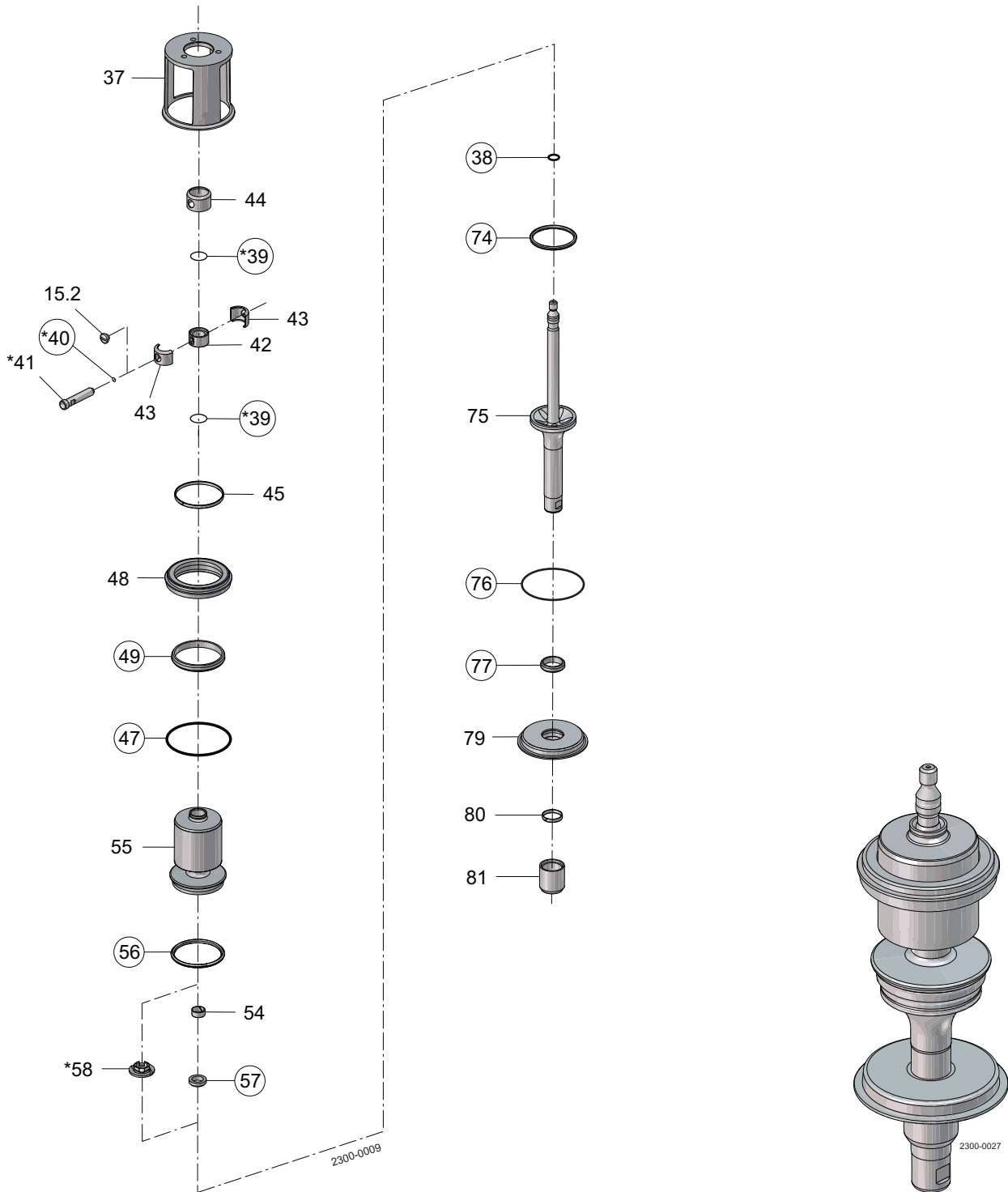
If clamped valve body an extra O-ring (pos. 52) is required.

If SpiralClean in leakage chamber extra O-rings (2x pos. 39 and 1x pos. 40) is required.

Spare parts for mix size please refer to Configurator in AL Anytime

NOTE!

All FPM service kits are supplied with EPDM seal ring, pos. 74.



○ = wear parts
 ★ = with SpiralClean in leakage chamber

Pos. 37, see section 20 Valve body
 See note below service kits.

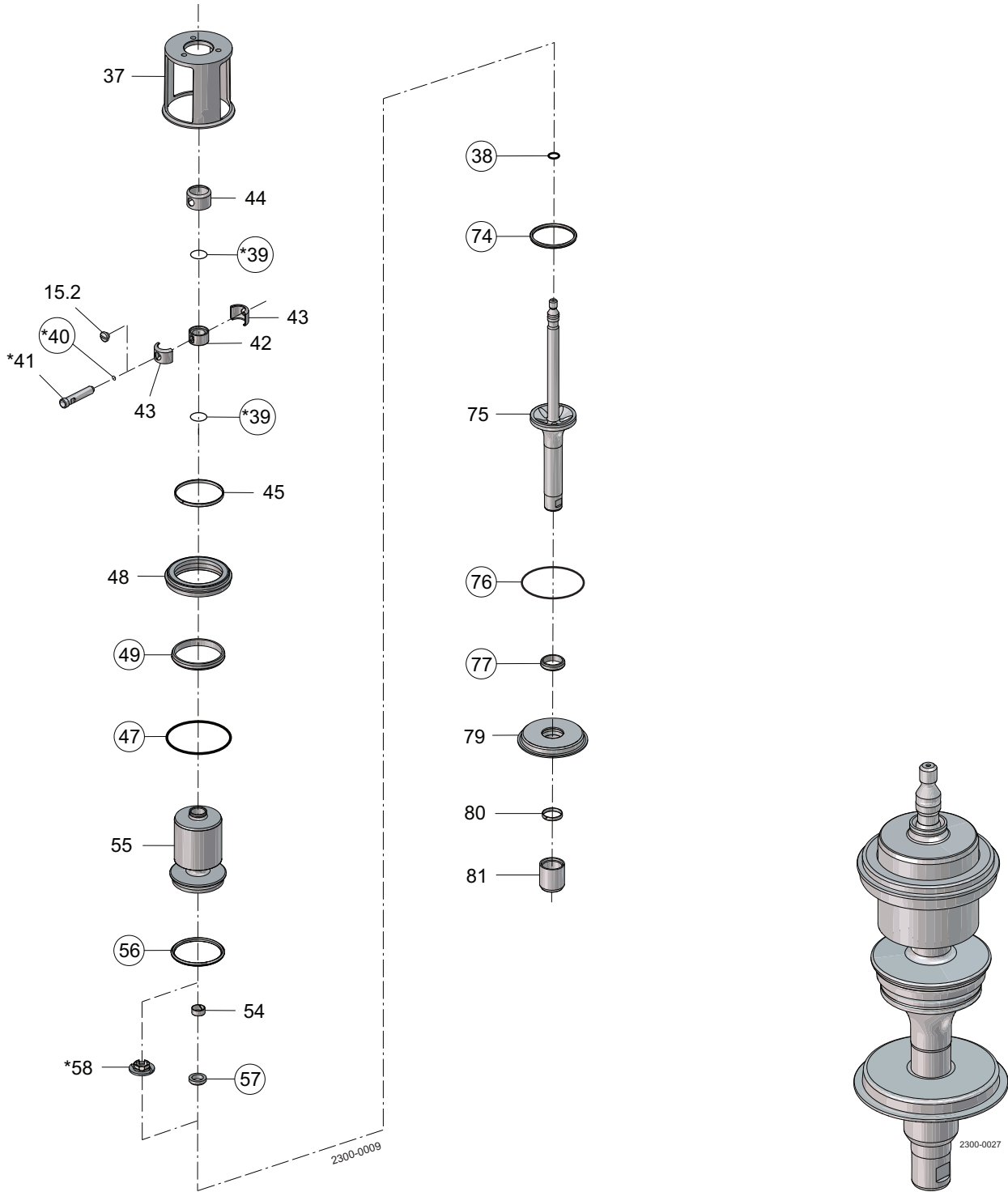
Plug setup 10

Pos	Qty	Denomination	DN/OD 51	DN/OD 63.5	#2	#1	DN 125
			DN 50 seat ø53.3	DN/OD 76.1 DN 65/DN 80 seat ø81.3	DN/OD 101.6 DN 100 seat ø100.3	DN/OD 101.6 DN 100 seat ø115.3	DN 150 seat ø115.3
Spindle liner							
15	1	Plug	9613414101	9613414101	9613414101	9613414101	9613414101
42	1	Spindle liner	9613011601	9613009001	9613009001	9613009001	9613009001
43	2	Clamp	9613011801	9613009201	9613009201	9613009201	9613009201
44	1	Lock	9613011701	9613009101	9613009101	9613009101	9613009101
Extra parts if SpiralClean in vent cavity							
39	2	O-ring, EPDM	9611993492	9611993493	9611993493	9611993493	9611993493
40	1	O-ring, EPDM	9611993119	9611993119	9611993119	9611993119	9611993119
41	1	Flushing tube	3135710172	3135710172	3135710172	3135710172	3135710172
58	1	Spray nozzle, PVDF	9613008801	9613014801	9613014801	9613014801	9613014801
Upper sealing element							
45	1	Guide ring, PTFE	9613008413	9613008414	9613008420	9613008415	9613008415
47	♦	O-ring, EPDM	9611993632	9611993636	9611993640	9611993640	9611993644
	♦	O-ring, NBR	9611993633	9611993637	9611993641	9611993641	9611993645
	♦	O-ring, FPM	9611993634	9611993638	9611993642	9611993642	9611993646
	♦	O-ring, HNBR,	9611993635	9611993639	9611993643	9611993643	9611993647
48	1	Upper sealing element	9613014202	9613006402	9613066001	9613018802	9613017002
49	♦	Lip seal, EPDM	9613008521	9613008526	9613008548	9613008531	9613008531
	♦	Lip seal, NBR	9613008522	9613008527	9613008549	9613008532	9613008532
	♦	Lip seal, FPM	9613008523	9613008528	9613008550	9613008533	9613008533
	♦	Lip seal, HNBR	9613008524	9613008529	9613008551	9613008534	9613008534
Upper plug							
54	1	Guide ring, PTFE	9613008401	9613008402	9613008402	9613008402	9613008402
55	1	Upper plug	9613016301	9613009301	9613091501	9613017301	9613017303
56	♦	Seal ring, EPDM	9613095106	9613095109	9613095119	9613095112	9613095112
	♦	Seal ring, NBR	9613095114	9613095115	9613095120	9613095116	9613095116
	♦	Seal ring, FPM	9613095105	9613095108	9613095118	9613095111	9613095111
	♦	Seal ring, HNBR	9613095104	9613095107	9613095117	9613095110	9613095110
	1	Seal ring set, (10 pcs.) EPDM	8010023165	8010023166	8010023167	8010023168	8010023168
57	♦	Lip seal, EPDM	9613008706	9613008711	9613008711	9613008711	9613008711
	♦	Lip seal, NBR	9613008707	9613008712	9613008712	9613008712	9613008712
	♦	Lip seal, FPM	9613008708	9613008713	9613008713	9613008713	9613008713
	♦	Lip seal, HNBR	9613008709	9613008714	9613008714	9613008714	9613008714
Lower plug							
38	♦	O-ring, EPDM	9611993555	9611993572	9611993572	9611993572	9611993572
	1	O-ring set, (10 pcs.) EPDM	8010023163	8010023164	8010023164	8010023164	8010023164
74	♦	Seal ring, EPDM	9613095206	9613095209	9613095219	9613095212	9613095212
	♦	Seal ring, NBR	9613095214	9613095215	9613095220	9613095216	9613095216
	♦	Seal ring, FPM Alfa Laval recommends EPDM	9613095205	9613095208	9613095218	9613095211	9613095211
	♦	Seal ring, HNBR	9613095204	9613095207	9613095217	9613095210	9613095210
	1	Seal ring set, (10 pcs.) EPDM	8010023169	8010023170	8010023171	8010023172	8010023172
75	1	Lower plug	9613016401	9613008301	9613091001	9613017401	9613017403
Lower sealing element							
76	♦	O-ring, EPDM	9611993632	9611993636	9611993640	9611993640	9611993644
	♦	O-ring, NBR	9611993633	9611993637	9611993641	9611993641	9611993645
	♦	O-ring, FPM	9611993634	9611993638	9611993642	9611993642	9611993646
	♦	O-ring, HNBR	9611993635	9611993639	9611993643	9611993643	9611993647
77	♦	Lip seal, EPDM	9613008501	9613008511	9613008511	9613008511	9613008511
	♦	Lip seal, NBR	9613008502	9613008512	9613008512	9613008512	9613008512
	♦	Lip seal, FPM	9613008503	9613008513	9613008513	9613008513	9613008513
	♦	Lip seal, HNBR	9613008504	9613008514	9613008514	9613008514	9613008514
79	1	Lower sealing element	9613023901	9613024101	9613024301	9613024301	9613024501
80	1	Guide ring, PTFE	9613008416	9613008417	9613008417	9613008417	9613008417
81	1	Cover	9613049002	9613049003	9613049004	9613049004	9613049004
Extra parts if clamped valve body							
52	1	O-ring, EPDM	9611993632	9611993636	9611993640	9611993640	9611993644
	1	O-ring, NBR	9611993633	9611993637	9611993641	9611993641	9611993645
	1	O-ring, FPM	9611993634	9611993638	9611993642	9611993642	9611993646
	1	O-ring, HNBR	9611993635	9611993639	9611993643	9611993643	9611993647

Pos. 37, see section 20 Valve body

See note below service kits.

Plug setup 10



		DN/OD 51 DN 50 seat ø53.3	DN/OD 63.5 DN/OD 76.1 DN 65/ DN 80 seat ø81.3	#2 DN/OD 101.6 DN 100 seat ø100.3	#1 DN/OD 101.6 DN 100 seat ø115.3	DN 125 DN 150 seat ø115.3
♦	Service kit, EPDM	9611921767	9611921769	9611926366	9611921771	9611926061
♦	Service kit, NBR	9611921773	9611921775	9611926367	9611921777	9611926062
♦	Service kit, FPM	9611921779	9611921781	9611926368	9611921783	9611926063
♦	Service kit, HNBR	9611921785	9611921787	9611926369	9611921789	9611926064

For mixed size housings, the service kit is determined by the smallest size connection on the valve.
One exception is any housing with 6" connections will always refer to the 6" service kits listed below:

♦	Service kit, EPDM	9611926141	9611926205	9611926406	9611926269
♦	Service kit, NBR	9611926142	9611926206	9611926407	9611926270
♦	Service kit, FPM	9611926143	9611926207	9611926408	9611926271
♦	Service kit, HNBR	9611926144	9611926208	9611926409	9611926272

Parts marked with ♦ are included in the service kit.

#1 = Serial no. below 1030000 - manufactured before October 1st 2003

#2 = Serial no. above 1030000 - manufactured after October 1st 2003

NOTE!

If different connection size on upper and lower body, except for size 6", it is always the smallest body that determines the service kit.

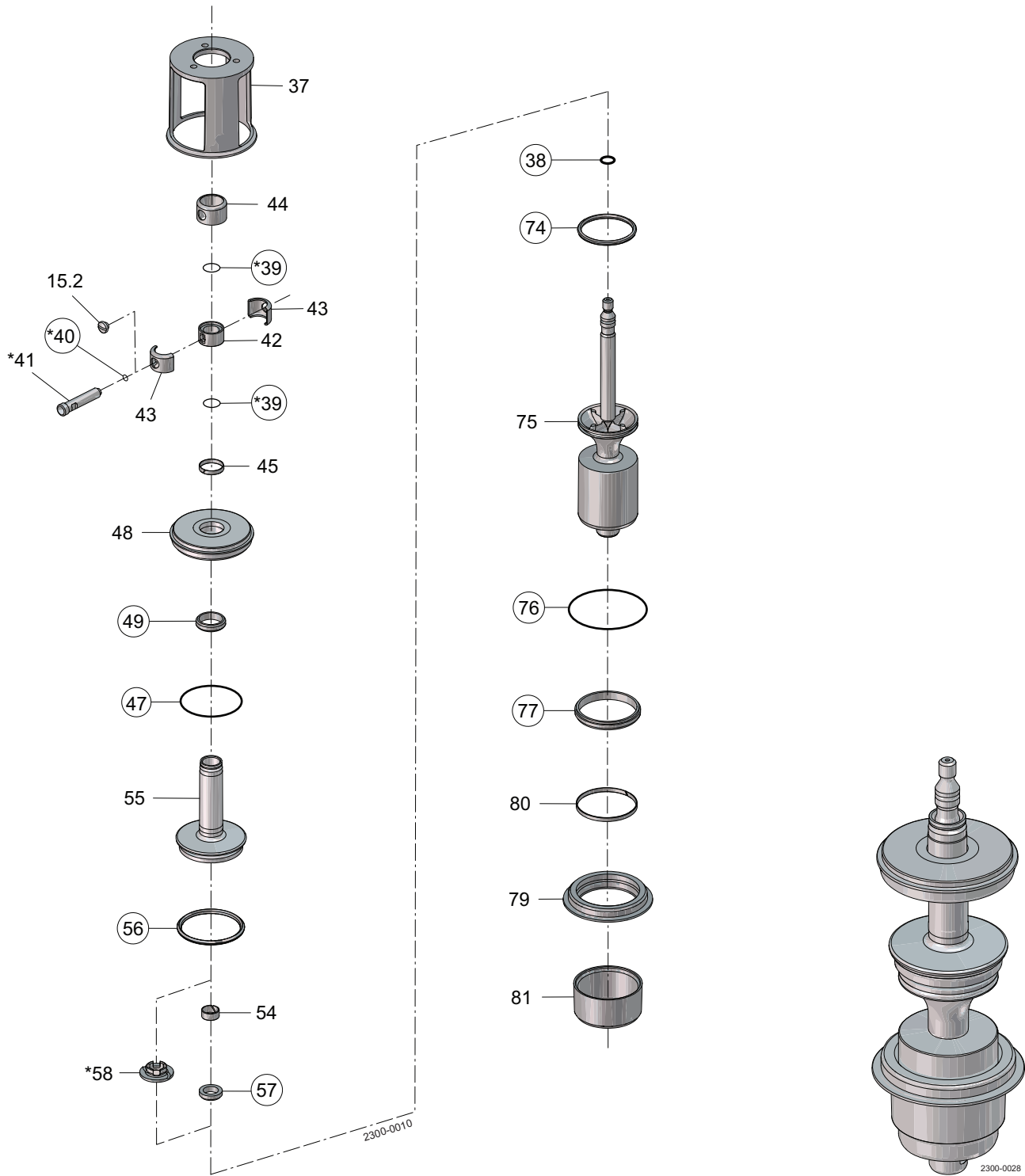
If clamped valve body an extra O-ring (pos. 52) is required.

If SpiralClean in leakage chamber extra O-rings (2x pos. 39 and 1x pos. 40) is required.

Spare parts for mix size please refer to Configurator in AL Anytime

NOTE!

All FPM service kits are supplied with EPDM seal ring, pos. 74.



○ = wear parts
 * = with SpiralClean in leakage chamber

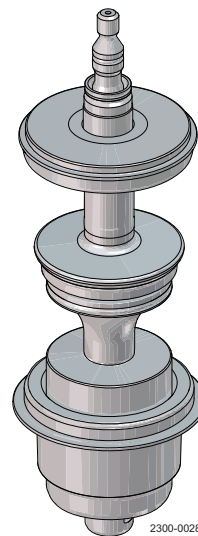
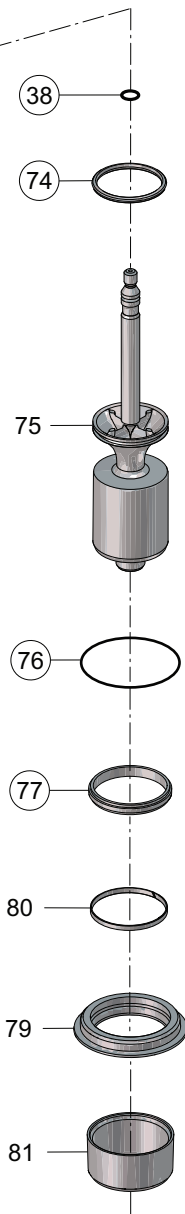
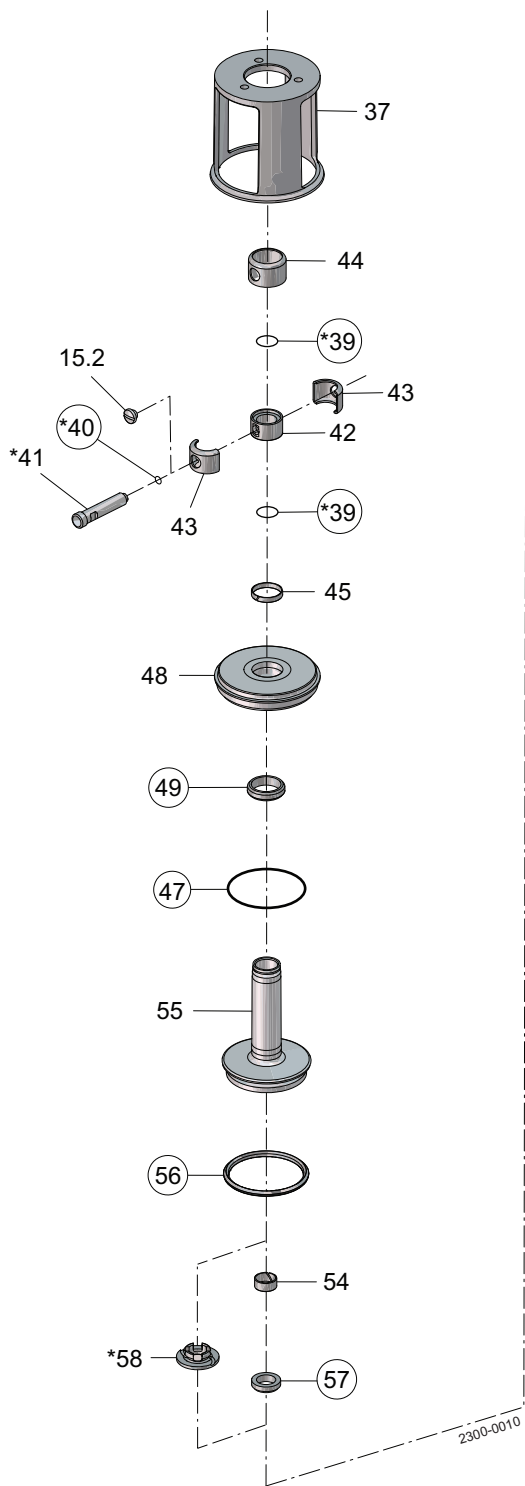
Pos. 37, see section 20 Valve body
 See note below service kits.

Plug setup 11

Pos	Qty	Denomination	DN/OD 51	DN/OD 63.5	#2	#1	DN 125
			DN 50	DN/OD 76.1	DN/OD 101.6	DN/OD 101.6	DN 150
			Seat ø53.3	Seat ø81.3	Seat ø100.3	Seat ø115.3	Seat ø115.3
15	1	Plug	9613414101	9613414101	9613414101	9613414101	9613414101
42	1	Spindle liner	9613011601	9613009001	9613009001	9613009001	9613009001
43	2	Clamp	9613011801	9613009201	9613009201	9613009201	9613009201
44	1	Lock	9613011701	9613009101	9613009101	9613009101	9613009101
Extra parts if SpiralClean in vent cavity							
39	2	O-ring, EPDM	9611993492	9611993493	9611993493	9611993493	9611993493
40	1	O-ring, EPDM	9611993119	9611993119	9611993119	9611993119	9611993119
41	1	Flushing tube	3135710172	3135710172	3135710172	3135710172	3135710172
58	1	Spray nozzle, PVDF	9613008801	9613014801	9613014801	9613014801	9613014801
Upper sealing element							
45	1	Guide ring, PTFE	9613008416	9613008417	9613008417	9613008417	9613008417
47	◆	O-ring, EPDM	9611993632	9611993636	9611993640	9611993640	9611993644
	◆	O-ring, NBR	9611993633	9611993637	9611993641	9611993641	9611993645
	◆	O-ring, FPM	9611993634	9611993638	9611993642	9611993642	9611993646
	◆	O-ring, HNBR	9611993635	9611993639	9611993643	9611993643	9611993647
48	1	Upper sealing element	9613014201	9613006401	9613018801	9613018801	9613017001
49	◆	Lip seal, EPDM	9613008501	9613008511	9613008511	9613008511	9613008511
	◆	Lip seal, NBR	9613008502	9613008512	9613008512	9613008512	9613008512
	◆	Lip seal, FPM	9613008503	9613008513	9613008513	9613008513	9613008513
	◆	Lip seal, HNBR	9613008504	9613008514	9613008514	9613008514	9613008514
Upper plug							
54	1	Guide ring, PTFE	9613008401	9613008402	9613008402	9613008402	9613008402
55	1	Upper plug	9613016201	9613008201	9613091401	9613017201	9613017203
56	◆	Seal ring, EPDM	9613095106	9613095109	9613095119	9613095112	9613095112
	◆	Seal ring, NBR	9613095114	9613095115	9613095120	9613095116	9613095116
	◆	Seal ring, FPM	9613095105	9613095108	9613095118	9613095111	9613095111
	◆	Seal ring, HNBR	9613095104	9613095107	9613095117	9613095110	9613095110
	1	Seal ring set, (10 pcs.) EPDM	8010023165	8010023166	8010023167	8010023168	8010023168
57	◆	Lip seal, EPDM	9613008706	9613008711	9613008711	9613008711	9613008711
	◆	Lip seal, NBR	9613008707	9613008712	9613008712	9613008712	9613008712
	◆	Lip seal, FPM	9613008708	9613008713	9613008713	9613008713	9613008713
	◆	Lip seal, HNBR	9613008709	9613008714	9613008714	9613008714	9613008714
Lower plug							
38	◆	O-ring, EPDM	9611993555	9611993572	9611993572	9611993572	9611993572
	1	O-ring set, (10 pcs.) EPDM	8010023163	8010023164	8010023164	8010023164	8010023164
74	◆	Seal ring, EPDM	9613095206	9613095209	9613095219	9613095212	9613095212
	◆	Seal ring, NBR	9613095214	9613095215	9613095220	9613095216	9613095216
	◆	Seal ring, FPM Alfa Laval recommends EPDM	9613095205	9613095208	9613095218	9613095211	9613095211
	◆	Seal ring, HNBR	9613095204	9613095207	9613095217	9613095210	9613095210
	1	Seal ring set, (10 pcs.) EPDM	8010023169	8010023170	8010023171	8010023172	8010023172
75	1	Lower plug	9613016501	9613009401	9613091101	9613017501	9613017503
Lower sealing element							
76	◆	O-ring, EPDM	9611993632	9611993636	9611993640	9611993640	9611993644
	◆	O-ring, NBR	9611993633	9611993637	9611993641	9611993641	9611993645
	◆	O-ring, FPM	9611993634	9611993638	9611993642	9611993642	9611993646
	◆	O-ring, HNBR	9611993635	9611993639	9611993643	9611993643	9611993647
77	◆	Lip seal, EPDM	9613008521	9613008526	9613008548	9613008531	9613008531
	◆	Lip seal, NBR	9613008522	9613008527	9613008549	9613008532	9613008532
	◆	Lip seal, FPM	9613008523	9613008528	9613008550	9613008533	9613008533
	◆	Lip seal, HNBR	9613008524	9613008529	9613008551	9613008534	9613008534
79	1	Lower sealing element	9613023902	9613024102	9613066201	9613024302	9613024502
80	1	Guide ring, PTFE	9613008413	9613008414	9613008420	9613008415	9613008415
81	1	Cover	9613049005	9613049006	9613049015	9613049007	9613049007
Extra parts if clamped valve body							
52	1	O-ring, EPDM	9611993632	9611993636	9611993640	9611993640	9611993644
	1	O-ring, NBR	9611993633	9611993637	9611993641	9611993641	9611993645
	1	O-ring, FPM	9611993634	9611993638	9611993642	9611993642	9611993646
	1	O-ring, HNBR	9611993635	9611993639	9611993643	9611993643	9611993647

Pos. 37, see section 20 Valve body

See note below service kits.



○ = wear parts

* = with SpiralClean in leakage chamber

Plug setup 11

		DN/OD 51 DN 50 Seat ø53.3	DN/OD 63.5 DN/OD 76.1 DN 65/DN 80 Seat ø81.3	#2 DN/OD 101.6 DN 100 Seat ø100.3	#1 DN/OD 101.6 DN 100 Seat ø115.3	DN 125 DN 150 Seat ø115.3
♦	Service kit, EPDM	9611921767	9611921769	9611926366	9611921771	9611926061
♦	Service kit, NBR	9611921773	9611921775	9611926367	9611921777	9611926062
♦	Service kit, FPM	9611921779	9611921781	9611926368	9611921783	9611926063
♦	Service kit, HNBR	9611921785	9611921787	9611926369	9611921789	9611926064

For mixed size housings, the service kit is determined by the smallest size connection on the valve.
 One exception is any housing with 6" connections will always refer to the 6" service kits listed below:

♦	Service kit, EPDM	9611926141	9611926205	9611926406	9611926269
♦	Service kit, NBR	9611926142	9611926206	9611926407	9611926270
♦	Service kit, FPM	9611926143	9611926207	9611926408	9611926271
♦	Service kit, HNBR	9611926144	9611926208	9611926409	9611926272

Parts marked with ♦ are included in the service kit.

#1 = Serial no. below 1030000 - manufactured before October 1st 2003

#2 = Serial no. above 1030000 - manufactured after October 1st 2003

NOTE!

If different connection size on upper and lower body, except for size 6", it is always the smallest body that determines the service kit.

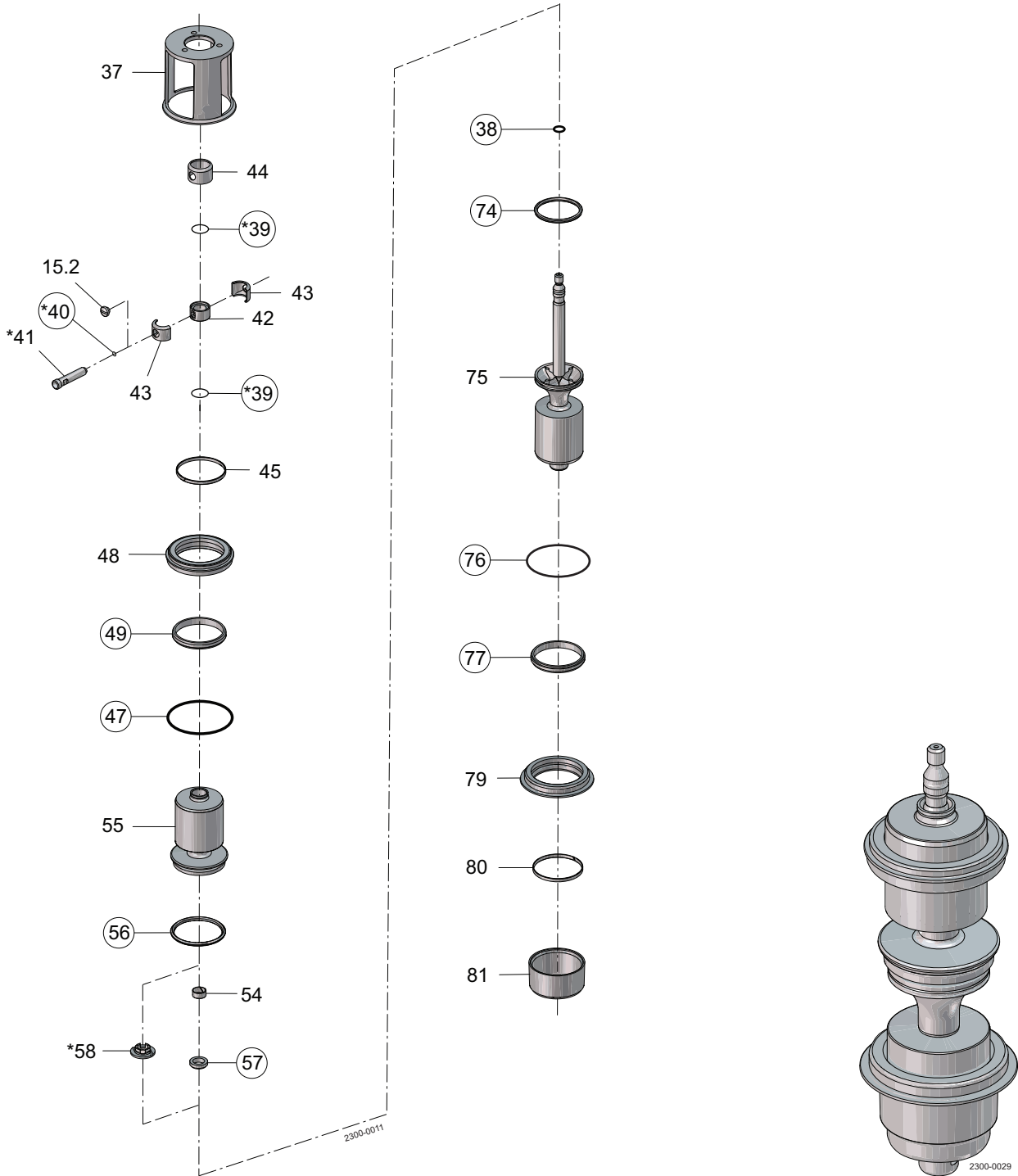
If clamped valve body an extra O-ring (pos. 52) is required.

If SpiralClean in leakage chamber extra O-rings (2x pos. 39 and 1x pos. 40) is required.

Spare parts for mix size please refer to Configurator in AL Anytime

NOTE!

All FPM service kits are supplied with EPDM seal ring, pos. 74.



○ = wear parts
 ★ = with SpiralClean in leakage chamber

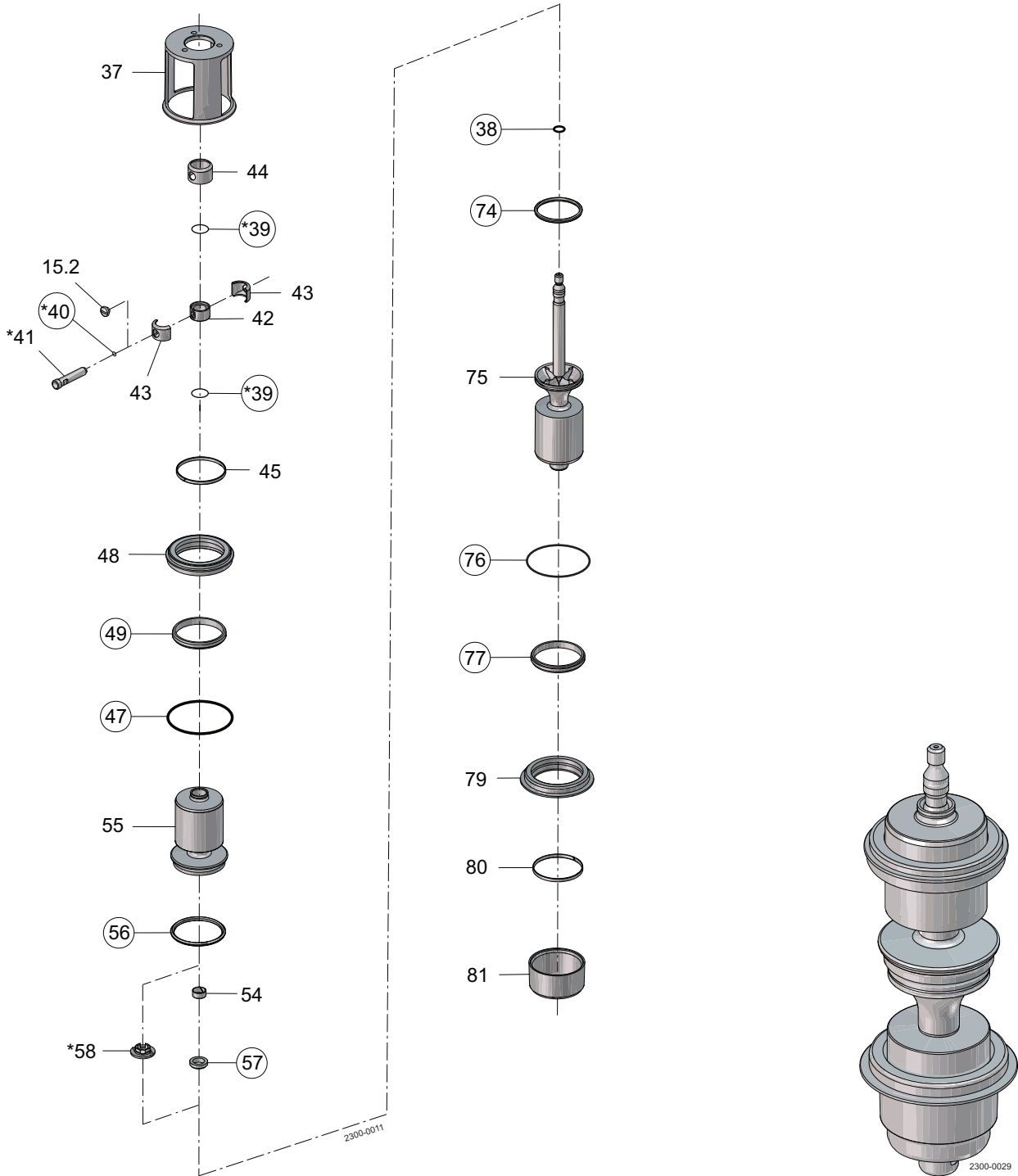
Pos. 37, see section 20 Valve body
 See note below service kits.

Plug setup 12

Pos	Qty	Denomination	DN/OD 38	DN/OD 51	DN/OD 63.5	#2	#1	DN 125
			DN 40	DN 50	DN 65/DN 80	DN/OD 101.6	DN/OD 101.6	DN 150
			Seat ø53.3	Seat ø53.3	Seat ø81.3	Seat ø100.3	Seat ø115.3	Seat ø115.3
Spindle liner								
15	1	Plug	9613414101	9613414101	9613414101	9613414101	9613414101	9613414101
42	1	Spindle liner	9613011601	9613011601	9613009001	9613009001	9613009001	9613009001
43	2	Clamp	9613011801	9613011801	9613009201	9613009201	9613009201	9613009201
44	1	Lock	9613011701	9613011701	9613009101	9613009101	9613009101	9613009101
Extra parts if SpiralClean in vent cavity								
39	2	O-ring, EPDM	9611993492	9611993492	9611993493	9611993493	9611993493	9611993493
40	1	O-ring, EPDM	9611993119	9611993119	9611993119	9611993119	9611993119	9611993119
41	1	Flushing tube	3135710172	3135710172	3135710172	3135710172	3135710172	3135710172
58	1	Spray nozzle, PVDF	9613008801	9613008801	9613014801	9613014801	9613014801	9613014801
Upper sealing element								
45	1	Guide ring, PTFE	9613008412	9613008413	9613008414	9613008420	9613008415	9613008415
47	♦	O-ring, EPDM	9611993628	9611993632	9611993636	9611993640	9611993640	9611993644
	♦	O-ring, NBR	9611993629	9611993633	9611993637	9611993641	9611993641	9611993645
	♦	O-ring, FPM	9611993630	9611993634	9611993638	9611993642	9611993642	9611993646
	♦	O-ring, HNBR	9611993631	9611993635	9611993639	9611993643	9611993643	9611993647
48	1	Upper sealing element	9613015701	9613014202	9613006402	9613066001	9613018802	9613017002
49	♦	Lip seal, EPDM	9613008516	9613008521	9613008526	9613008548	9613008531	9613008531
	♦	Lip seal, NBR	9613008517	9613008522	9613008527	9613008549	9613008532	9613008532
	♦	Lip seal, FPM	9613008518	9613008523	9613008528	9613008550	9613008533	9613008533
	♦	Lip seal, HNBR	9613008519	9613008524	9613008529	9613008551	9613008534	9613008534
Upper plug								
54	1	Guide ring, PTFE	9613008401	9613008401	9613008402	9613008402	9613008402	9613008402
55	1	Upper plug	9613014401	9613016301	9613009301	9613091501	9613017301	9613017303
56	♦	Seal ring, EPDM	9613095106	9613095106	9613095109	9613095119	9613095112	9613095112
	♦	Seal ring, NBR	9613095114	9613095114	9613095115	9613095120	9613095116	9613095116
	♦	Seal ring, FPM	9613095105	9613095105	9613095108	9613095118	9613095111	9613095111
	♦	Seal ring, HNBR	9613095104	9613095104	9613095107	9613095117	9613095110	9613095110
		Seal ring set, (10 pcs.) EPDM	8010023165	8010023165	8010023166	8010023167	8010023168	8010023168
57	♦	Lip seal, EPDM	9613008706	9613008706	9613008711	9613008711	9613008711	9613008711
	♦	Lip seal, NBR	9613008707	9613008707	9613008712	9613008712	9613008712	9613008712
	♦	Lip seal, FPM	9613008708	9613008708	9613008713	9613008713	9613008713	9613008713
	♦	Lip seal, HNBR	9613008709	9613008709	9613008714	9613008714	9613008714	9613008714
Lower plug								
38	♦	O-ring, EPDM	9611993555	9611993555	9611993572	9611993572	9611993572	9611993572
		O-ring set, (10 pcs.) EPDM	8010023163	8010023163	8010023164	8010023164	8010023164	8010023164
74	♦	Seal ring, EPDM	9613095206	9613095206	9613095209	9613095219	9613095212	9613095212
	♦	Seal ring, NBR	9613095214	9613095214	9613095215	9613095220	9613095216	9613095216
	♦	Seal ring, FPM Alfa Laval recommends EPDM	9613095205	9613095205	9613095208	9613095218	9613095211	9613095211
	♦	Seal ring, HNBR	9613095204	9613095204	9613095207	9613095217	9613095210	9613095210
		Seal ring set, (10 pcs.) EPDM	8010023169	8010023169	8010023170	8010023171	8010023172	8010023172
75	1	Lower plug	9613014601	9613016501	9613009401	9613091101	9613017501	9613017503
Lower sealing element								
76	♦	O-ring, EPDM	9611993628	9611993632	9611993636	9611993640	9611993640	9611993644
	♦	O-ring, NBR	9611993629	9611993633	9611993637	9611993641	9611993641	9611993645
	♦	O-ring, FPM	9611993630	9611993634	9611993638	9611993642	9611993642	9611993646
	♦	O-ring, HNBR	9611993631	9611993635	9611993639	9611993643	9611993643	9611993647
77	♦	Lip seal, EPDM	9613008516	9613008521	9613008526	9613008548	9613008531	9613008531
	♦	Lip seal, NBR	9613008517	9613008522	9613008527	9613008549	9613008532	9613008532
	♦	Lip seal, FPM	9613008518	9613008523	9613008528	9613008550	9613008533	9613008533
	♦	Lip seal, HNBR	9613008519	9613008524	9613008529	9613008551	9613008534	9613008534
79	1	Lower sealing element	9613023701	9613023902	9613024102	9613066201	9613024302	9613024502
80	1	Guide ring, PTFE	9613008412	9613008413	9613008414	9613008420	9613008415	9613008415
81	1	Cover	9613049001	9613049005	9613049006	9613049015	9613049007	9613049007
Extra parts if clamped valve body								
52	1	O-ring, EPDM	9611993628	9611993632	9611993636	9611993640	9611993640	9611993644
	1	O-ring, NBR	9611993629	9611993633	9611993637	9611993641	9611993641	9611993645
	1	O-ring, FPM	9611993630	9611993634	9611993638	9611993642	9611993642	9611993646
	1	O-ring, HNBR	9611993631	9611993635	9611993639	9611993643	9611993643	9611993647

Pos. 37, see section 20 Valve body

See note below service kits.



○ = wear parts

★ = with SpiralClean in leakage chamber

Plug setup 12

		DN/OD 38 DN 40 Seat ø53.3	DN/OD 51 DN 50 Seat ø53.3	DN/OD 63.5 DN/OD 76.1 DN 65/DN 80 Seat ø81.3	#2 DN/OD 101.6 DN 100 Seat ø100.3	#1 DN/OD 101.6 DN 100 Seat ø115.3	DN 125 DN 150 Seat ø115.3
♦	Service kit, EPDM	9611921814	9611921815	9611921816	9611926370	9611921818	9611926069
♦	Service kit, NBR	9611921820	9611921821	9611921822	9611926371	9611921824	9611926070
♦	Service kit, FPM	9611921826	9611921827	9611921828	9611926372	9611921830	9611926071
♦	Service kit, HNBR	9611921832	9611921833	9611921834	9611926373	9611921836	9611926072

For mixed size housings, the service kit is determined by the smallest size connection on the valve.

One exception is any housing with 6" connections will always refer to the 6" service kits listed below:

♦	Service kit, EPDM	9611926097	9611926149	9611926213	9611926410	9611926277
♦	Service kit, NBR	9611926098	9611926150	9611926214	9611926411	9611926278
♦	Service kit, FPM	9611926099	9611926151	9611926215	9611926412	9611926279
♦	Service kit, HNBR	9611926100	9611926152	9611926216	9611926413	9611926280

Parts marked with ♦ are included in the service kits.

#1 = Serial no. below 1030000 - manufactured before October 1st 2003

#2 = Serial no. above 1030000 - manufactured after October 1st 2003

NOTE!

If different connection size on upper and lower body, except for size 6", it is always the smallest body that determines the service kit.

If clamped valve body an extra O-ring (pos. 52) is required.

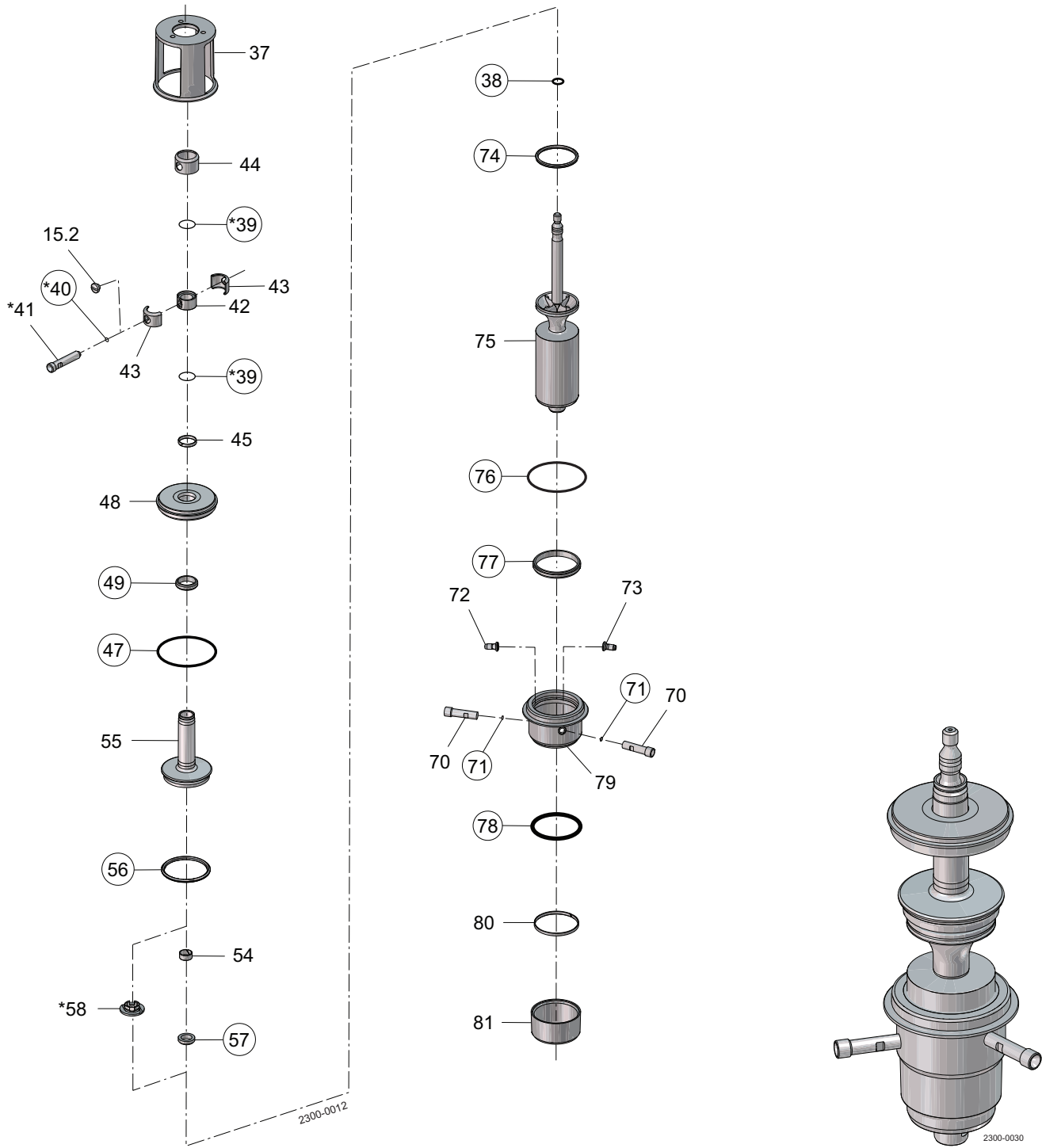
If SpiralClean in leakage chamber extra O-rings (2x pos. 39 and 1x pos. 40) is required.

Spare parts for mix size please refer to Configurator in AL Anytime

NOTE!

All FPM service kits are supplied with EPDM seal ring, pos. 74.

Plug setup 13



○ = wear parts
 * = with SpiralClean in leakage chamber

Pos. 37, see section 20 Valve body
 See note below service kits.

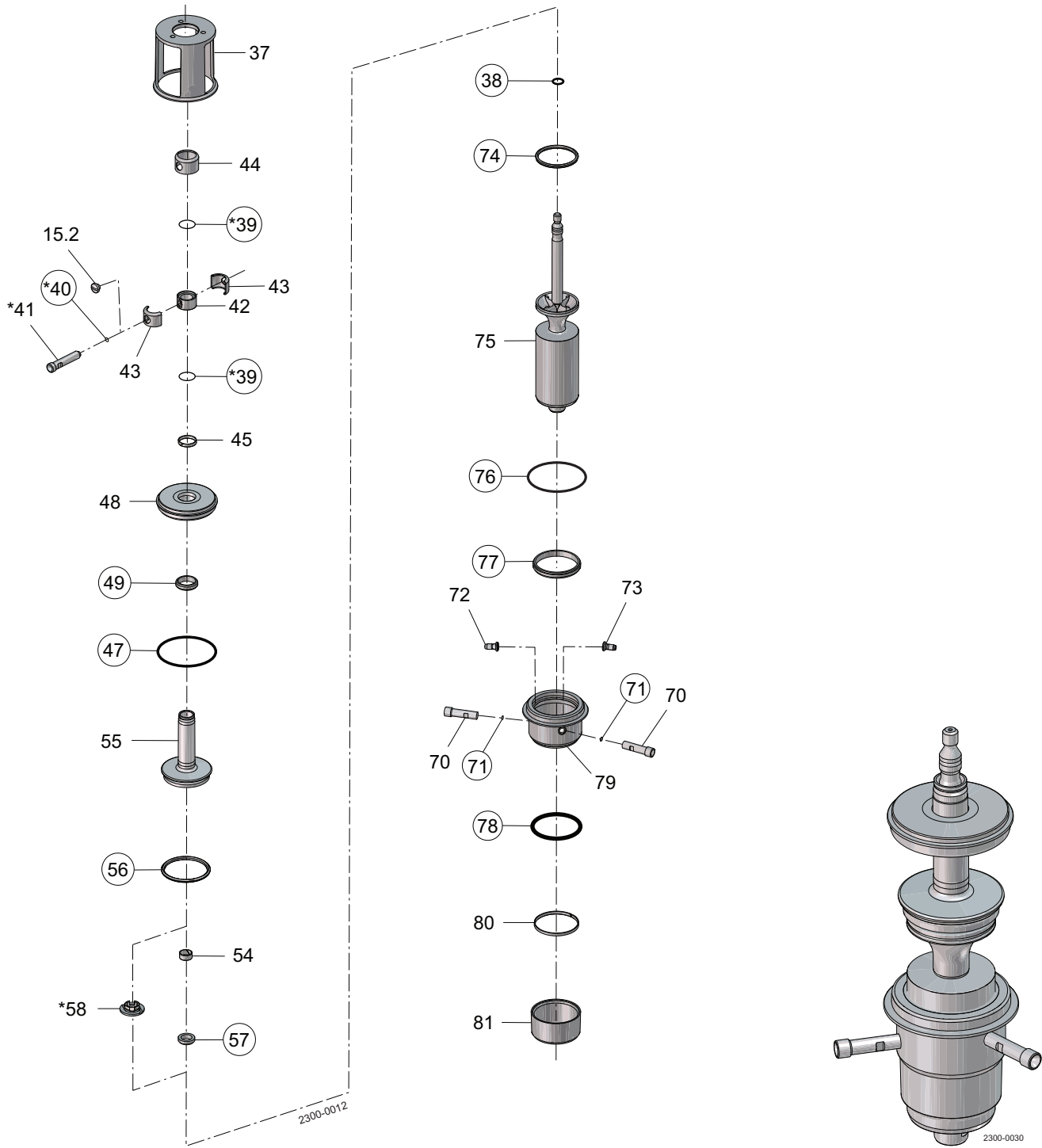
Plug setup 13

Pos	Qty	Denomination	DN/OD 51	DN/OD 63.5	#2	#1	DN 125
			DN 50 Seat ø53.3	DN/OD 76.1 DN 65/DN 80 Seat ø81.3	DN/OD 101.6 DN 100 Seat ø100.3	DN/OD 101.6 DN 100 Seat ø115.3	DN 150 Seat ø115.3
Spindle liner							
15	1	Plug	9613414101	9613414101	9613414101	9613414101	9613414101
42	1	Spindle liner	9613011601	9613009001	9613009001	9613009001	9613009001
43	2	Clamp	9613011801	9613009201	9613009201	9613009201	9613009201
44	1	Lock	9613011701	9613009101	9613009101	9613009101	9613009101
Extra parts if SpiralClean in vent cavity							
39	2	O-ring, EPDM	9611993492	9611993493	9611993493	9611993493	9611993493
40	1	O-ring, EPDM	9611993119	9611993119	9611993119	9611993119	9611993119
41	1	Flushing tube	3135710172	3135710172	3135710172	3135710172	3135710172
58	1	Spray nozzle, PVDF	9613008801	9613014801	9613014801	9613014801	9613014801
Upper sealing element							
45	1	Guide ring, PTFE	9613008416	9613008417	9613008417	9613008417	9613008417
47	♦	O-ring, EPDM	9611993632	9611993636	9611993640	9611993640	9611993644
	♦	O-ring, NBR	9611993633	9611993637	9611993641	9611993641	9611993645
	♦	O-ring, FPM	9611993634	9611993638	9611993642	9611993642	9611993646
	♦	O-ring, HNBR	9611993635	9611993639	9611993643	9611993643	9611993647
48	1	Upper sealing element	9613014201	9613006401	9613018801	9613018801	9613017001
49	♦	Lip seal, EPDM	9613008501	9613008511	9613008511	9613008511	9613008511
	♦	Lip seal, NBR	9613008502	9613008512	9613008512	9613008512	9613008512
	♦	Lip seal, FPM	9613008503	9613008513	9613008513	9613008513	9613008513
	♦	Lip seal, HNBR	9613008504	9613008514	9613008514	9613008514	9613008514
Upper plug							
54	1	Guide ring, PTFE	9613008401	9613008402	9613008402	9613008402	9613008402
55	1	Upper plug	9613016201	9613008201	9613091401	9613017201	9613017203
56	♦	Seal ring, EPDM	9613095106	9613095109	9613095119	9613095112	9613095112
	♦	Seal ring, NBR	9613095114	9613095115	9613095120	9613095116	9613095116
	♦	Seal ring, FPM	9613095105	9613095108	9613095118	9613095111	9613095111
	♦	Seal ring, HNBR	9613095104	9613095107	9613095117	9613095110	9613095110
	1	Seal ring set, (10 pcs.) EPDM	8010023165	8010023166	8010023167	8010023168	8010023168
57	♦	Lip seal, EPDM	9613008706	9613008711	9613008711	9613008711	9613008711
	♦	Lip seal, NBR	9613008707	9613008712	9613008712	9613008712	9613008712
	♦	Lip seal, FPM	9613008708	9613008713	9613008713	9613008713	9613008713
	♦	Lip seal, HNBR	9613008709	9613008714	9613008714	9613008714	9613008714
Lower plug							
38	♦	O-ring, EPDM	9611993555	9611993572	9611993572	9611993572	9611993572
	1	O-ring set, (10 pcs.) EPDM	8010023163	8010023164	8010023164	8010023164	8010023164
74	♦	Seal ring, EPDM	9613095206	9613095209	9613095219	9613095212	9613095212
	♦	Seal ring, NBR	9613095214	9613095215	9613095220	9613095216	9613095216
	♦	Seal ring, FPM Alfa Laval recommends EPDM	9613095205	9613095208	9613095218	9613095211	9613095211
	♦	Seal ring, HNBR	9613095204	9613095207	9613095217	9613095210	9613095210
	1	Seal ring set, (10 pcs.) EPDM	8010023169	8010023170	8010023171	8010023172	8010023172
75	1	Lower plug	9613016502	9613009402	9613091102	9613017502	9613017504
Lower sealing element							
70	2	Flushing tube	9613007902	9613007903	9613007904	9613007904	9613007905
71	2	O-ring, EPDM	9611993119	9611993119	9611993119	9611993119	9611993119
72	1	Drain	9613008001	9613008001	9613008001	9613008001	9613008001
73	1	Nozzle	9613008002	9613008002	9613008002	9613008002	9613008002
76	♦	O-ring, EPDM	9611993632	9611993636	9611993640	9611993640	9611993644
	♦	O-ring, NBR	9611993633	9611993637	9611993641	9611993641	9611993645
	♦	O-ring, FPM	9611993634	9611993638	9611993642	9611993642	9611993646
	♦	O-ring, HNBR	9611993635	9611993639	9611993643	9611993643	9611993647
77	♦	Lip seal, EPDM	9613008521	9613008526	9613008548	9613008531	9613008531
	♦	Lip seal, NBR	9613008522	9613008527	9613008549	9613008532	9613008532
	♦	Lip seal, FPM	9613008523	9613008528	9613008550	9613008533	9613008533
	♦	Lip seal, HNBR	9613008524	9613008529	9613008551	9613008534	9613008534
78	♦	O-ring, EPDM	9611993650	9611993651	9611994407	9611993652	9611993652
79	1	Lower sealing element	9613049501	9613049601	9613066101	9613049701	9613049801
80	1	Guide ring, PTFE	9613008413	9613008414	9613008420	9613008415	9613008415
81	1	Cover	9613049005	9613049006	9613049015	9613049007	9613049007
Extra parts if clamped valve body							
52	1	O-ring, EPDM	9611993632	9611993636	9611993640	9611993640	9611993644
	1	O-ring, NBR	9611993633	9611993637	9611993641	9611993641	9611993645
	1	O-ring, FPM	9611993634	9611993638	9611993642	9611993642	9611993646
	1	O-ring, HNBR	9611993635	9611993639	9611993643	9611993643	9611993647

Pos. 37, see section 20 Valve body

See note below service kits.

Plug setup 13



○ = wear parts

* = with SpiralClean in leakage chamber

		DN/OD 51 DN 50 Seat ø53.3	DN/OD 63.5 DN/OD 76.1 DN 65/DN 80 Seat ø81.3	#2 DN/OD 101.6 DN 100 Seat ø100.3	#1 DN/OD 101.6 DN 100 Seat ø115.3	DN 125 DN 150 Seat ø115.3
♦	Service kit, EPDM	9611921574	9611921576	9611926338	9611921578	9611926029
♦	Service kit, NBR	9611921580	9611921582	9611926339	9611921584	9611926030
♦	Service kit, FPM	9611921586	9611921588	9611926340	9611921590	9611926031
♦	Service kit, HNBR	9611921592	9611921594	9611926341	9611921596	9611926032

For mixed size housings, the service kit is determined by the smallest size connection on the valve.
One exception is any housing with 6" connections will always refer to the 6" service kits listed below:

♦	Service kit, EPDM	9611926109	9611926173	9611926378	9611926237
♦	Service kit, NBR	9611926110	9611926174	9611926379	9611926238
♦	Service kit, FPM	9611926111	9611926175	9611926380	9611926239
♦	Service kit, HNBR	9611926112	9611926176	9611926381	9611926240

Parts marked with ♦ are included in the service kit.

#1 = Serial no. below 1030000 - manufactured before October 1st 2003

#2 = Serial no. above 1030000 - manufactured after October 1st 2003

NOTE!

If different connection size on upper and lower body, except for size 6", it is always the smallest body that determines the service kit.

If clamped valve body an extra O-ring (pos. 52) is required.

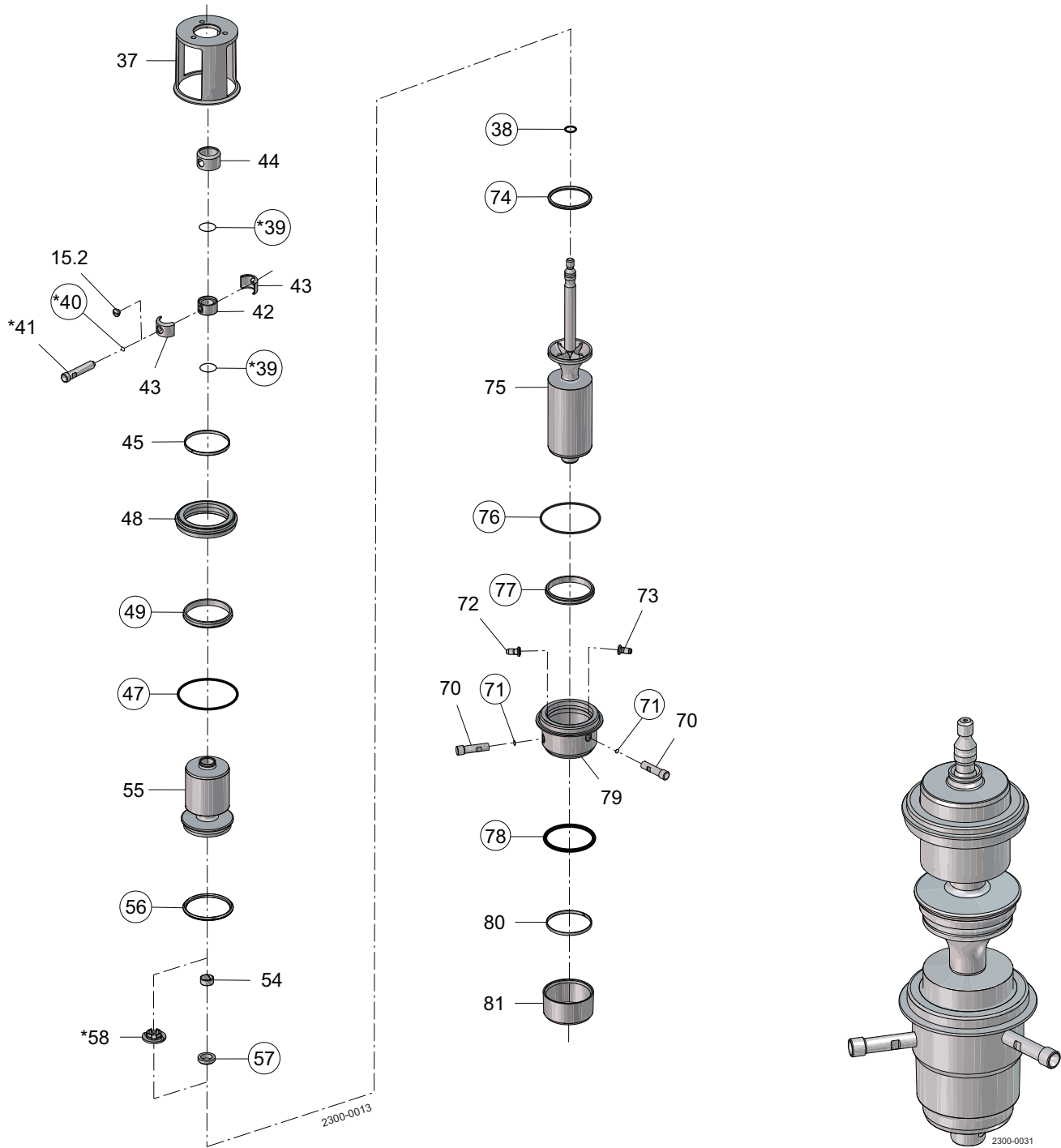
If SpiralClean in leakage chamber extra O-rings (2x pos. 39 and 1x pos. 40) is required.

Spare parts for mix size please refer to Configurator in AL Anytime

NOTE!

All FPM service kits are supplied with EPDM seal ring, pos. 74.

Plug setup 14



○ = wear parts
 * = with SpiralClean in leakage chamber

Pos. 37, see section 20 Valve body
 See note below service kits.

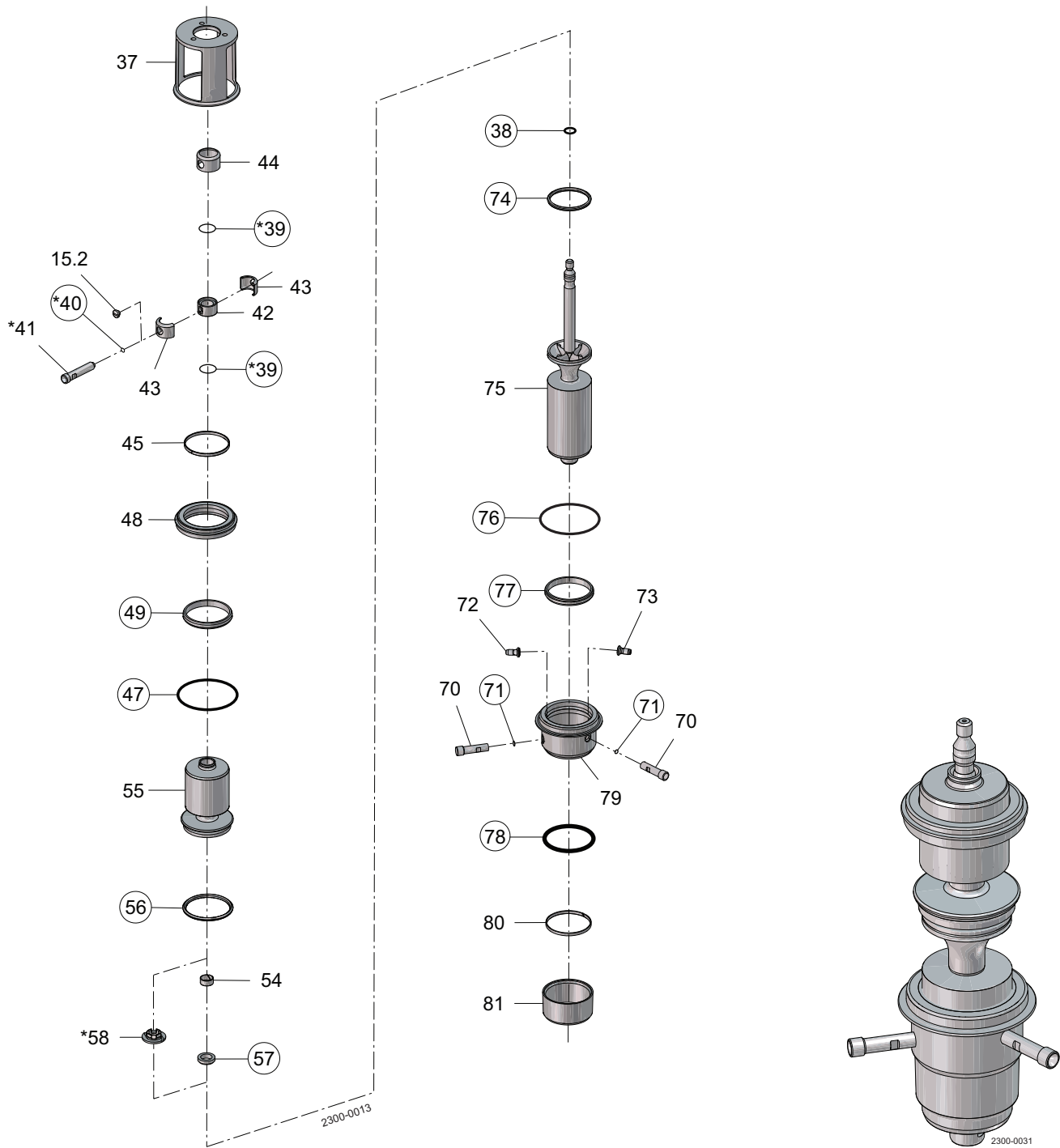
Plug setup 14

Pos	Qty	Denomination	DN/OD 38	DN/OD 51	DN/OD 63.5	#2	#1	DN 125
			DN 40	DN 50	DN/OD 76.1 DN 65/DN 80	DN/OD 101.6 DN 100	DN/OD 101.6 DN 100	DN 150
			Seat ø53.3	Seat ø53.3	Seat ø81.3	Seat ø100.3	Seat ø115.3	Seat ø115.3
Spindle liner								
15	1	Plug	9613414101	9613414101	9613414101	9613414101	9613414101	9613414101
42	1	Spindle liner	9613011601	9613011601	9613009001	9613009001	9613009001	9613009001
43	2	Clamp	9613011801	9613011801	9613009201	9613009201	9613009201	9613009201
44	1	Lock	9613011701	9613011701	9613009101	9613009101	9613009101	9613009101
Extra parts if SpiralClean in vent cavity								
39	2	O-ring, EPDM	9611993492	9611993492	9611993493	9611993493	9611993493	9611993493
40	1	O-ring, EPDM	9611993119	9611993119	9611993119	9611993119	9611993119	9611993119
41	1	Flushing tube	3135710172	3135710172	3135710172	3135710172	3135710172	3135710172
58	1	Spray nozzle, PVDF	9613008801	9613008801	9613014801	9613014801	9613014801	9613014801
Upper sealing element								
45	1	Guide ring, PTFE	9613008412	9613008413	9613008414	9613008420	9613008415	9613008415
47	◆	O-ring, EPDM	9611993628	9611993632	9611993636	9611993640	9611993640	9611993644
	◆	O-ring, NBR	9611993629	9611993633	9611993637	9611993641	9611993641	9611993645
	◆	O-ring, FPM	9611993630	9611993634	9611993638	9611993642	9611993642	9611993646
	◆	O-ring, HNBR	9611993631	9611993635	9611993639	9611993643	9611993643	9611993647
48	1	Upper sealing element	9613015701	9613014202	9613006402	9613066001	9613018802	9613017002
49	◆	Lip seal, EPDM	9613008516	9613008521	9613008526	9613008548	9613008531	9613008531
	◆	Lip seal, NBR	9613008517	9613008522	9613008527	9613008549	9613008532	9613008532
	◆	Lip seal, FPM	9613008518	9613008523	9613008528	9613008550	9613008533	9613008533
	◆	Lip seal, HNBR	9613008519	9613008524	9613008529	9613008551	9613008534	9613008534
Upper plug								
54	1	Guide ring, PTFE	9613008401	9613008401	9613008402	9613008402	9613008402	9613008402
55	1	Upper plug	9613014401	9613016301	9613009301	9613091501	9613017301	9613017303
56	◆	Seal ring, EPDM	9613095106	9613095106	9613095109	9613095119	9613095112	9613095112
	◆	Seal ring, NBR	9613095114	9613095114	9613095115	9613095120	9613095116	9613095116
	◆	Seal ring, FPM	9613095105	9613095105	9613095108	9613095118	9613095111	9613095111
	◆	Seal ring, HNBR	9613095104	9613095104	9613095107	9613095117	9613095110	9613095110
		Seal ring set, (10 pcs.) EPDM	8010023165	8010023165	8010023166	8010023167	8010023168	8010023168
57	◆	Lip seal, EPDM	9613008706	9613008706	9613008711	9613008711	9613008711	9613008711
	◆	Lip seal, NBR	9613008707	9613008707	9613008712	9613008712	9613008712	9613008712
	◆	Lip seal, FPM	9613008708	9613008708	9613008713	9613008713	9613008713	9613008713
	◆	Lip seal, HNBR	9613008709	9613008709	9613008714	9613008714	9613008714	9613008714
Lower plug								
38	◆	O-ring, EPDM	9611993555	9611993555	9611993572	9611993572	9611993572	9611993572
		O-ring set, (10 pcs.) EPDM	8010023163	8010023163	8010023164	8010023164	8010023164	8010023164
74	◆	Seal ring, EPDM	9613095206	9613095206	9613095209	9613095219	9613095212	9613095212
	◆	Seal ring, NBR	9613095214	9613095214	9613095215	9613095220	9613095216	9613095216
	◆	Seal ring, FPM Alfa Laval recommends EPDM	9613095205	9613095205	9613095208	9613095218	9613095211	9613095211
	◆	Seal ring, HNBR	9613095204	9613095204	9613095207	9613095217	9613095210	9613095210
		Seal ring set, (10 pcs.) EPDM	8010023169	8010023169	8010023170	8010023171	8010023172	8010023172
75	1	Lower plug	9613014602	9613016502	9613009402	9613091102	9613017502	9613017504
Lower sealing element								
70	2	Flushing tube	9613007901	9613007902	9613007903	9613007904	9613007904	9613007905
71	◆	O-ring, EPDM	9611993119	9611993119	9611993119	9611993119	9611993119	9611993119
72	1	Drain	9613008001	9613008001	9613008001	9613008001	9613008001	9613008001
73	1	Nozzle	9613008002	9613008002	9613008002	9613008002	9613008002	9613008002
76	◆	O-ring, EPDM	9611993628	9611993632	9611993636	9611993640	9611993640	9611993644
	◆	O-ring, NBR	9611993629	9611993633	9611993637	9611993641	9611993641	9611993645
	◆	O-ring, FPM	9611993630	9611993634	9611993638	9611993642	9611993642	9611993646
	◆	O-ring, HNBR	9611993631	9611993635	9611993639	9611993643	9611993643	9611993647
77	◆	Lip seal, EPDM	9613008516	9613008521	9613008526	9613008548	9613008531	9613008531
	◆	Lip seal, NBR	9613008517	9613008522	9613008527	9613008549	9613008532	9613008532
	◆	Lip seal, FPM	9613008518	9613008523	9613008528	9613008550	9613008533	9613008533
	◆	Lip seal, HNBR	9613008519	9613008524	9613008529	9613008551	9613008534	9613008534
78	◆	O-ring, EPDM	9611993655	9611993650	9611993651	9611994407	9611993652	9611993652
79	1	Lower sealing element	9613023801	9613049501	9613049601	9613066101	9613049701	9613049801
80	1	Guide ring, PTFE	9613008412	9613008413	9613008414	9613008420	9613008415	9613008415
81	1	Cover	9613049001	9613049005	9613049006	9613049015	9613049007	9613049007
Extra parts if clamped valve body								
52	1	O-ring, EPDM	9611993628	9611993632	9611993636	9611993640	9611993640	9611993644
	1	O-ring, NBR	9611993629	9611993633	9611993637	9611993641	9611993641	9611993645
	1	O-ring, FPM	9611993630	9611993634	9611993638	9611993642	9611993642	9611993646
	1	O-ring, HNBR	9611993631	9611993635	9611993639	9611993643	9611993643	9611993647

Pos. 37, see section 20 Valve body

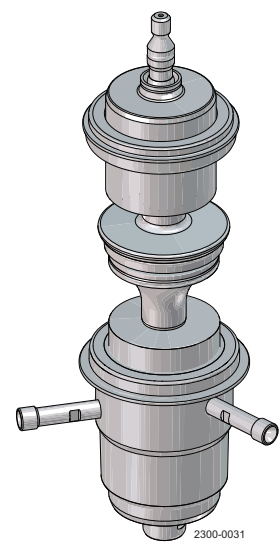
See note below service kits.

Plug setup 14



○ = wear parts

* = with SpiralClean in leakage chamber



		DN/OD 38 DN 40 Seat ø53.3	DN/OD 51 DN 50 Seat ø53.3	DN/OD 63.5 DN/OD 76.1 DN 65/DN 80 Seat ø81.3	#2 DN/OD 101.6 DN 100 Seat ø100.3	#1 DN/OD 101.6 DN 100 Seat ø115.3	DN 125 DN 150 Seat ø115.3
♦	Service kit, EPDM	9611921622	9611921623	9611921624	9611926346	9611921626	9611926037
♦	Service kit, NBR	9611921628	9611921629	9611921630	9611926347	9611921632	9611926038
♦	Service kit, FPM	9611921634	9611921635	9611921636	9611926348	9611921638	9611926039
♦	Service kit, HNBR	9611921640	9611921641	9611921642	9611926349	9611921644	9611926040

For mixed size housings, the service kit is determined by the smallest size connection on the valve.
One exception is any housing with 6" connections will always refer to the 6" service kits listed below:

♦	Service kit, EPDM	9611926089	9611926117	9611926181	9611926386	9611926245
♦	Service kit, NBR	9611926090	9611926118	9611926182	9611926387	9611926246
♦	Service kit, FPM	9611926091	9611926119	9611926183	9611926388	9611926247
♦	Service kit, HNBR	9611926092	9611926120	9611926184	9611926389	9611926248

Parts marked with ♦ are included in the service kit.

#1 = Serial no. below 1030000 - manufactured before October 1st 2003

#2 = Serial no. above 1030000 - manufactured after October 1st 2003

NOTE!

If different connection size on upper and lower body, except for size 6", it is always the smallest body that determines the service kit.

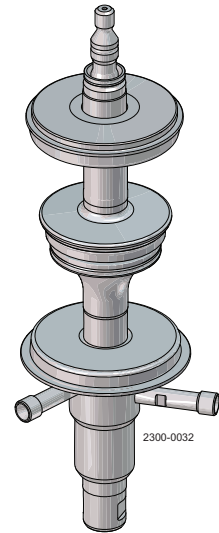
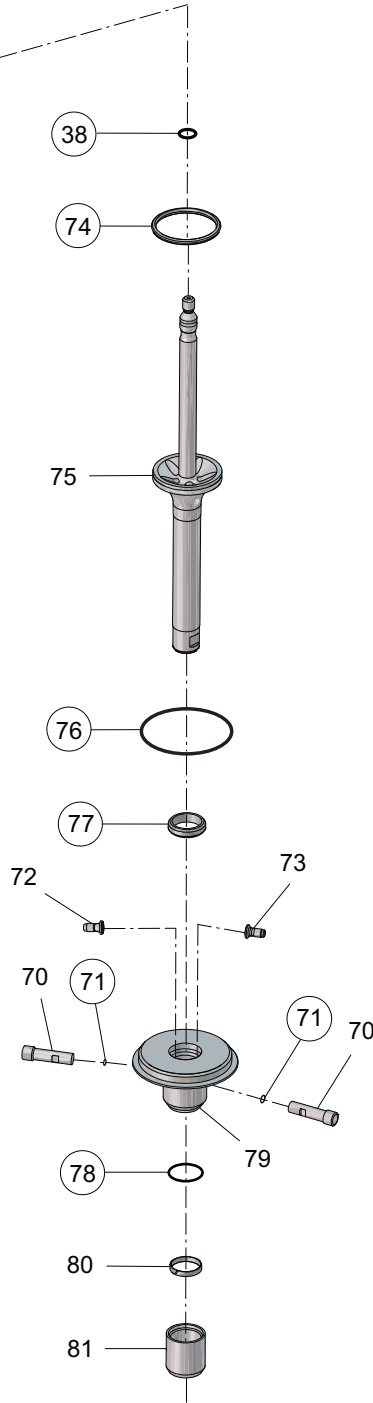
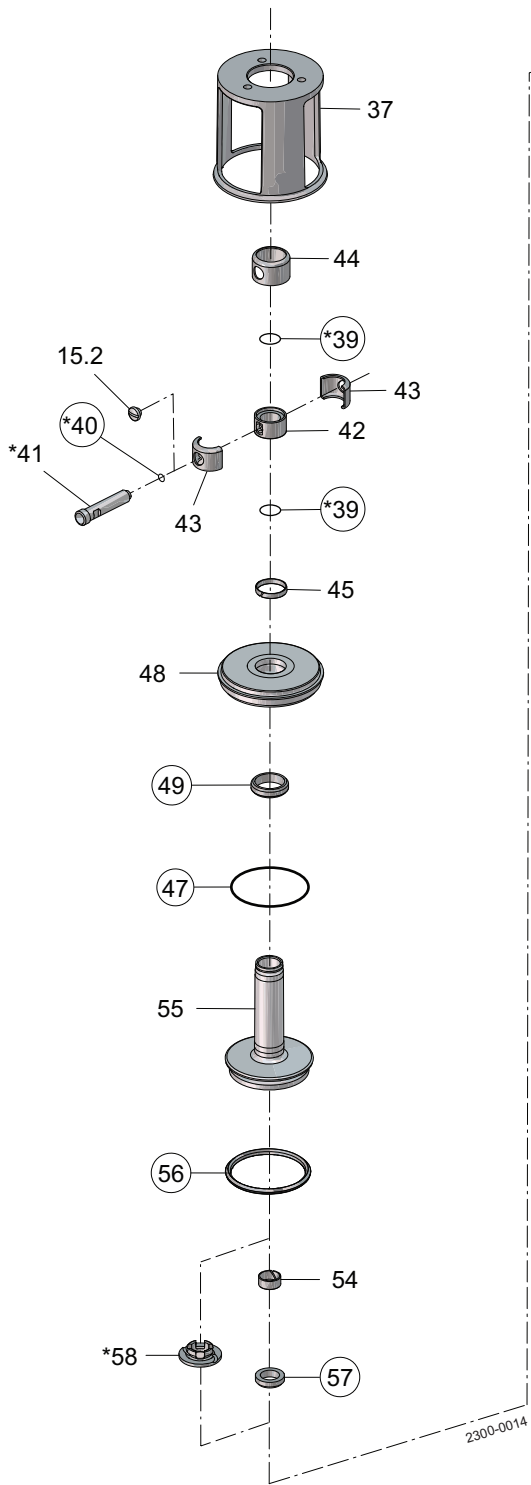
If clamped valve body an extra O-ring (pos. 52) is required.

If SpiralClean in leakage chamber extra O-rings (2x pos. 39 and 1x pos. 40) is required.

Spare parts for mix size please refer to Configurator in AL Anytime

NOTE!

All FPM service kits are supplied with EPDM seal ring, pos. 74.



○ = wear parts
 ★ = with SpiralClean in leakage chamber

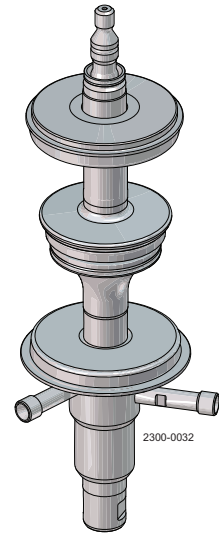
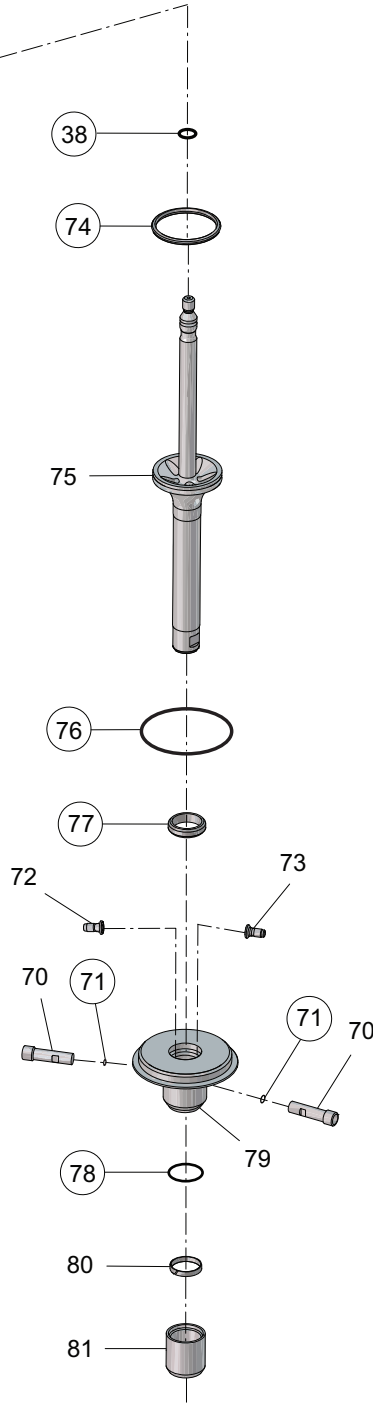
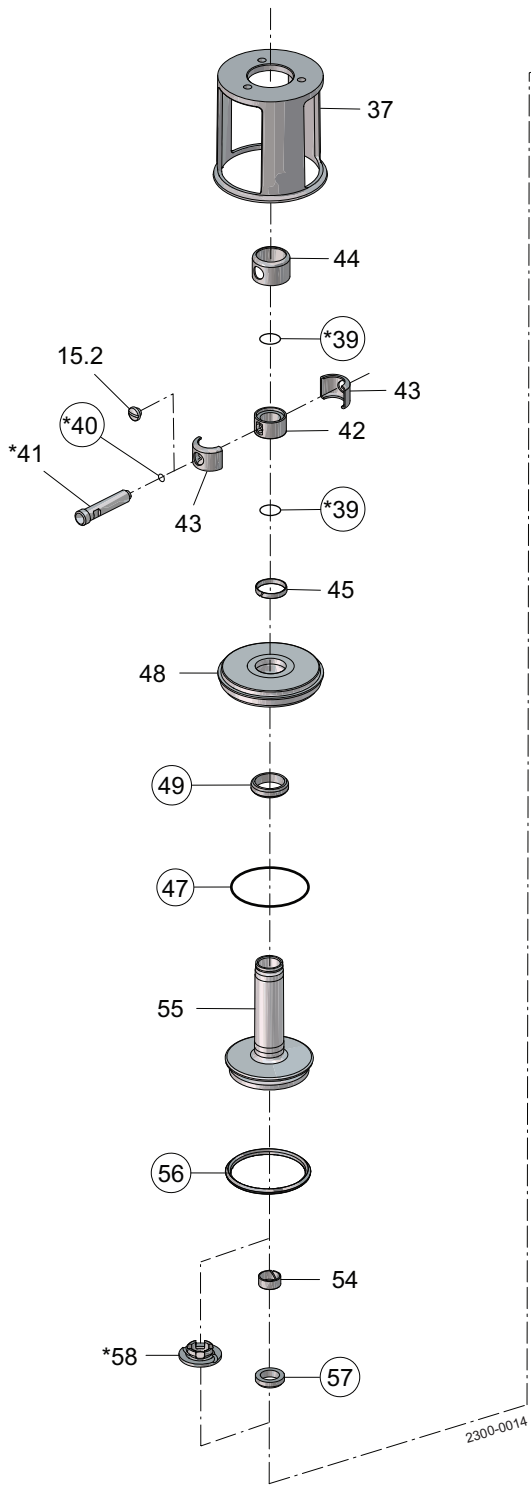
Pos. 37, see section 20 Valve body
 See note below service kits.

Plug setup 15

Pos	Qty	Denomination	DN/OD 51	DN/OD 63.5	#2	#1	DN 125
			DN 50	DN 65/DN 80	DN 100	DN 100	DN 150
			Seat ø53.3	Seat ø81.3	Seat ø100.3	Seat ø115.3	Seat ø115.3
Spindle liner							
15	1	Plug	9613414101	9613414101	9613414101	9613414101	9613414101
42	1	Spindle liner	9613011601	9613009001	9613009001	9613009001	9613009001
43	2	Clamp	9613011801	9613009201	9613009201	9613009201	9613009201
44	1	Lock	9613011701	9613009101	9613009101	9613009101	9613009101
Extra parts if SpiralClean in vent cavity							
39	2	O-ring, EPDM	9611993492	9611993493	9611993493	9611993493	9611993493
40	1	O-ring, EPDM	9611993119	9611993119	9611993119	9611993119	9611993119
41	1	Flushing tube	3135710172	3135710172	3135710172	3135710172	3135710172
58	1	Spray nozzle, PVDF	9613008801	9613014801	9613014801	9613014801	9613014801
Upper sealing element							
45	1	Guide ring, PTFE	9613008416	9613008417	9613008417	9613008417	9613008417
47	♦	O-ring, EPDM	9611993632	9611993636	9611993640	9611993640	9611993644
	♦	O-ring, NBR	9611993633	9611993637	9611993641	9611993641	9611993645
	♦	O-ring, FPM	9611993634	9611993638	9611993642	9611993642	9611993646
	♦	O-ring, HNBR	9611993635	9611993639	9611993643	9611993643	9611993647
48	1	Upper sealing element	9613014201	9613006401	9613018801	9613018801	9613017001
49	♦	Lip seal, EPDM	9613008501	9613008511	9613008511	9613008511	9613008511
	♦	Lip seal, NBR	9613008502	9613008512	9613008512	9613008512	9613008512
	♦	Lip seal, FPM	9613008503	9613008513	9613008513	9613008513	9613008513
	♦	Lip seal, HNBR	9613008504	9613008514	9613008514	9613008514	9613008514
Upper plug							
54	1	Guide ring, PTFE	9613008401	9613008402	9613008402	9613008402	9613008402
55	1	Upper plug	9613016201	9613008201	9613091401	9613017201	9613017203
56	♦	Seal ring, EPDM	9613095106	9613095109	9613095119	9613095112	9613095112
	♦	Seal ring, NBR	9613095114	9613095115	9613095120	9613095116	9613095116
	♦	Seal ring, FPM	9613095105	9613095108	9613095118	9613095111	9613095111
	♦	Seal ring, HNBR	9613095104	9613095107	9613095117	9613095110	9613095110
	1	Seal ring set, (10 pcs.) EPDM	8010023165	8010023166	8010023167	8010023168	8010023168
57	♦	Lip seal, EPDM	9613008706	9613008711	9613008711	9613008711	9613008711
	♦	Lip seal, NBR	9613008707	9613008712	9613008712	9613008712	9613008712
	♦	Lip seal, FPM	9613008708	9613008713	9613008713	9613008713	9613008713
	♦	Lip seal, HNBR	9613008709	9613008714	9613008714	9613008714	9613008714
Lower plug							
38	♦	O-ring, EPDM	9611993555	9611993572	9611993572	9611993572	9611993572
	1	O-ring set, (10 pcs.) EPDM	8010023163	8010023164	8010023164	8010023164	8010023164
74	♦	Seal ring, EPDM	9613095206	9613095209	9613095219	9613095212	9613095212
	♦	Seal ring, NBR	9613095214	9613095215	9613095220	9613095216	9613095216
	♦	Seal ring, FPM Alfa Laval recommends EPDM	9613095205	9613095208	9613095218	9613095211	9613095211
	♦	Seal ring, HNBR	9613095204	9613095207	9613095217	9613095210	9613095210
	1	Seal ring set, (10 pcs.) EPDM	8010023169	8010023170	8010023171	8010023172	8010023172
75	1	Lower plug	9613016402	9613008302	9613091002	9613017402	9613017404
Lower sealing element							
70	2	Flushing tube	9613007902	9613007903	9613007904	9613007904	9613007905
71	♦	O-ring, EPDM	9611993119	9611993119	9611993119	9611993119	9611993119
72	1	Drain	9613008001	9613008001	9613008001	9613008001	9613008001
73	1	Nozzle	9613008002	9613008002	9613008002	9613008002	9613008002
76	♦	O-ring, EPDM	9611993632	9611993636	9611993640	9611993640	9611993644
	♦	O-ring, NBR	9611993633	9611993637	9611993641	9611993641	9611993645
	♦	O-ring, FPM	9611993634	9611993638	9611993642	9611993642	9611993646
	♦	O-ring, HNBR	9611993635	9611993639	9611993643	9611993643	9611993647
77	♦	Lip seal, EPDM,	9613008501	9613008511	9613008511	9613008511	9613008511
	♦	Lip seal, NBR	9613008502	9613008512	9613008512	9613008512	9613008512
	♦	Lip seal, FPM	9613008503	9613008513	9613008513	9613008513	9613008513
	♦	Lip seal, HNBR	9613008504	9613008514	9613008514	9613008514	9613008514
78	♦	O-ring, EPDM	9611993653	9611993654	9611993654	9611993654	9611993654
79	1	Lower sealing element	9613024001	9613024201	9613024401	9613024401	9613024601
80	1	Guide ring, PTFE	9613008416	9613008417	9613008417	9613008417	9613008417
81	1	Cover	9613049002	9613049003	9613049004	9613049004	9613049004
Extra parts if clamped valve body							
52	1	O-ring, EPDM	9611993632	9611993636	9611993640	9611993640	9611993644
	1	O-ring, NBR	9611993633	9611993637	9611993641	9611993641	9611993645
	1	O-ring, FPM	9611993634	9611993638	9611993642	9611993642	9611993646
	1	O-ring, HNBR	9611993635	9611993639	9611993643	9611993643	9611993647

Pos. 37, see section 20 Valve body

See note below service kits.



○ = wear parts

★ = with SpiralClean in leakage chamber

Plug setup 15

		DN/OD 51 DN 50 Seat ø53.3	DN/OD 63.5 DN/OD 76.1 DN 65/DN 80 Seat ø81.3	#2 DN/OD 101.6 DN 100 Seat ø100.3	#1 DN/OD 101.6 DN 100 Seat ø115.3	DN 125 DN 150 Seat ø115.3
♦	Service kit, EPDM	9611921550	9611921552	9611926334	9611921554	9611926025
♦	Service kit, NBR	9611921556	9611921558	9611926335	9611921560	8010000502
♦	Service kit, FPM	9611921562	9611921564	9611926336	9611921566	8010000503
♦	Service kit, HNBR	9611921568	9611921570	9611926337	9611921572	8010000504

For mixed size housings, the service kit is determined by the smallest size connection on the valve.

One exception is any housing with 6" connections will always refer to the 6" service kits listed below:

♦	Service kit, EPDM	9611926105	9611926169	9611926374	9611926233
♦	Service kit, NBR	9611926106	9611926170	9611926375	9611926234
♦	Service kit, FPM	9611926107	9611926171	9611926376	9611926235
♦	Service kit, HNBR	9611926108	9611926172	9611926377	9611926236

Parts marked with ♦ are included in the service kit.

#1 = Serial no. below 1030000 - manufactured before October 1st 2003

#2 = Serial no. above 1030000 - manufactured after October 1st 2003

NOTE!

If different connection size on upper and lower body, except for size 6", it is always the smallest body that determines the service kit.

If clamped valve body an extra O-ring (pos. 52) is required.

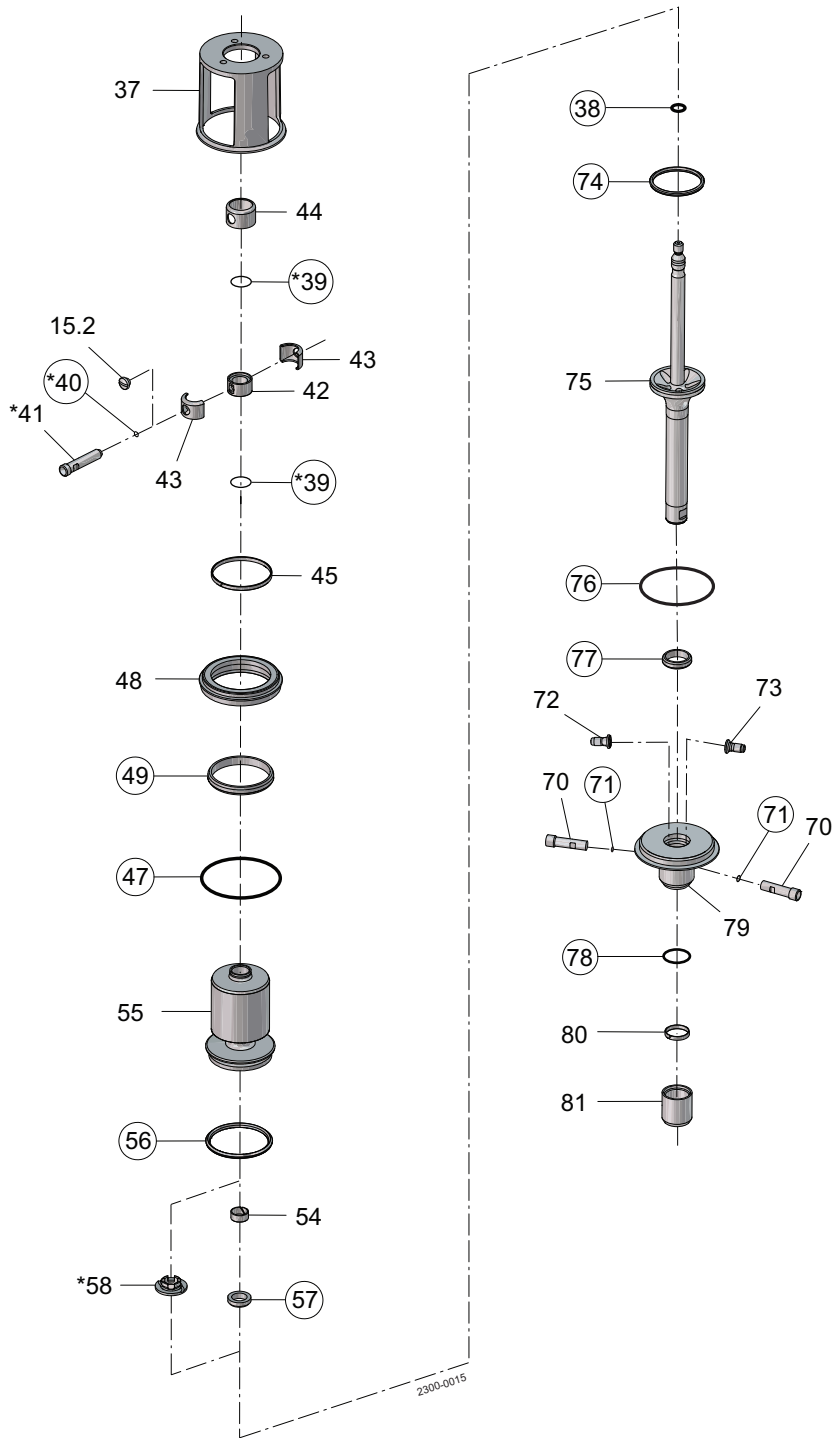
If SpiralClean in leakage chamber extra O-rings (2x pos. 39 and 1x pos. 40) is required.

Spare parts for mix size please refer to Configurator in AL Anytime

NOTE!

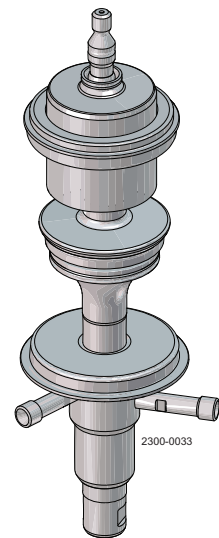
All FPM service kits are supplied with EPDM seal ring, pos. 74.

Plug setup 16



○ = wear parts
 ★ = with SpiralClean in leakage chamber

Pos. 37, see section 20 Valve body
 See note below service kits.



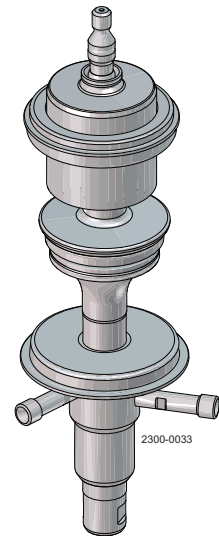
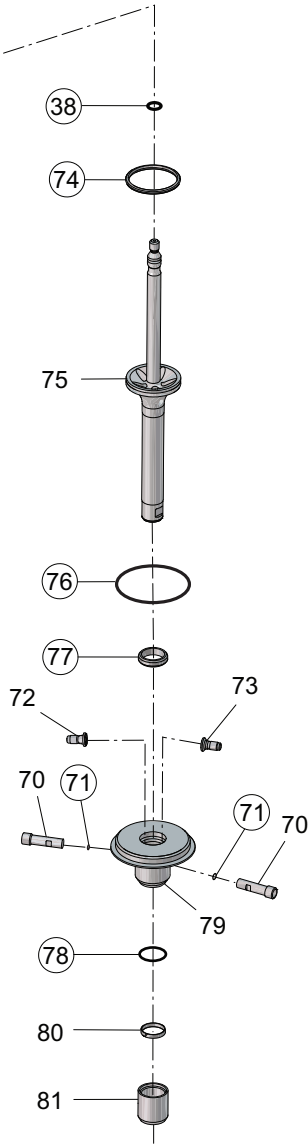
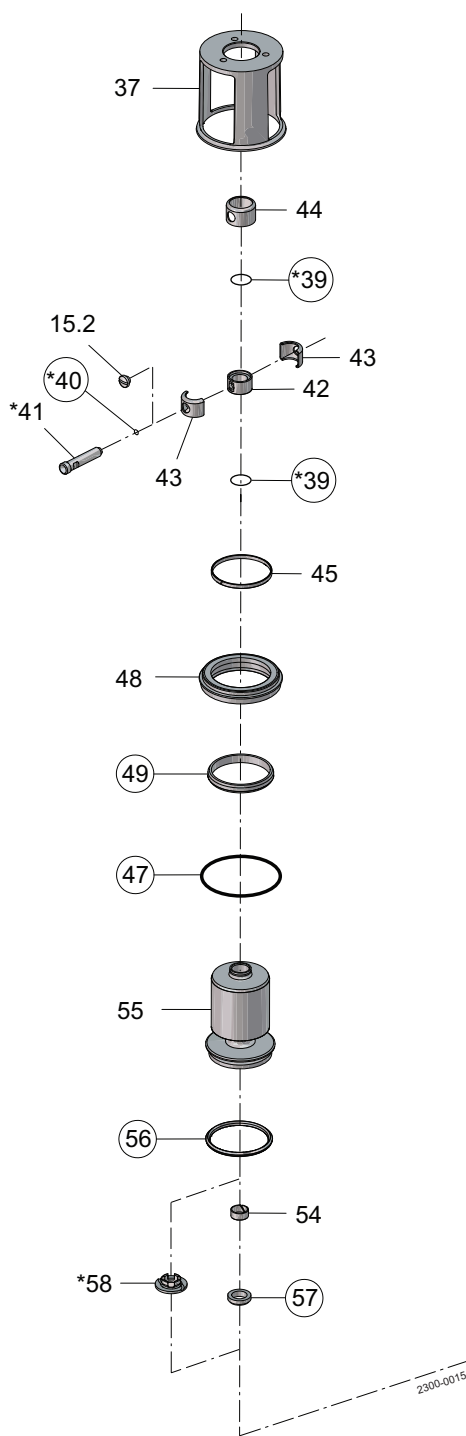
Plug setup 16

Pos	Qty	Denomination	DN/OD 51	DN/OD 63.5	#2	#1	DN 125
			DN 50	DN/OD 76.1	DN/OD 101.6	DN/OD 101.6	DN 150
			Seat ø53.3	Seat ø81.3	Seat ø100.3	Seat ø115.3	Seat ø115.3
15	1	Plug	9613414101	9613414101	9613414101	9613414101	9613414101
42	1	Spindle liner	9613011601	9613009001	9613009001	9613009001	9613009001
43	2	Clamp	9613011801	9613009201	9613009201	9613009201	9613009201
44	1	Lock	9613011701	9613009101	9613009101	9613009101	9613009101
Extra parts if SpiralClean in vent cavity							
39	2	O-ring, EPDM	9611993492	9611993493	9611993493	9611993493	9611993493
40	1	O-ring, EPDM	9611993119	9611993119	9611993119	9611993119	9611993119
41	1	Flushing tube	3135710172	3135710172	3135710172	3135710172	3135710172
58	1	Spray nozzle, PVDF	9613008801	9613014801	9613014801	9613014801	9613014801
Upper sealing element							
45	1	Guide ring, PTFE	9613008413	9613008414	9613008420	9613008415	9613008415
47	◆	O-ring, EPDM	9611993632	9611993636	9611993640	9611993640	9611993644
	◆	O-ring, NBR	9611993633	9611993637	9611993641	9611993641	9611993645
	◆	O-ring, FPM	9611993634	9611993638	9611993642	9611993642	9611993646
	◆	O-ring, HNBR	9611993635	9611993639	9611993643	9611993643	9611993647
48	1	Upper sealing element	9613014202	9613006402	9613066001	9613018802	9613017002
49	◆	Lip seal, EPDM	9613008521	9613008526	9613008548	9613008531	9613008531
	◆	Lip seal, NBR	9613008522	9613008527	9613008549	9613008532	9613008532
	◆	Lip seal, FPM	9613008523	9613008528	9613008550	9613008533	9613008533
	◆	Lip seal, HNBR	9613008524	9613008529	9613008551	9613008534	9613008534
Upper plug							
54	1	Guide ring, PTFE	9613008401	9613008402	9613008402	9613008402	9613008402
55	1	Upper plug	9613016301	9613009301	9613091501	9613017301	9613017303
56	1	Seal ring, EPDM	9613095106	9613095109	9613095119	9613095112	9613095112
	1	Seal ring, NBR	9613095114	9613095115	9613095120	9613095116	9613095116
	1	Seal ring, FPM	9613095105	9613095108	9613095118	9613095111	9613095111
	1	Seal ring, HNBR	9613095104	9613095107	9613095117	9613095110	9613095110
	1	Seal ring set, (10 pcs.) EPDM	8010023165	8010023166	8010023167	8010023168	8010023168
57	◆	Lip seal, EPDM	9613008706	9613008711	9613008711	9613008711	9613008711
	◆	Lip seal, NBR	9613008707	9613008712	9613008712	9613008712	9613008712
	◆	Lip seal, FPM	9613008708	9613008713	9613008713	9613008713	9613008713
	◆	Lip seal, HNBR	9613008709	9613008714	9613008714	9613008714	9613008714
Lower plug							
38	◆	O-ring, EPDM	9611993555	9611993572	9611993572	9611993572	9611993572
	1	O-ring set, (10 pcs.) EPDM	8010023163	8010023164	8010023164	8010023164	8010023164
74	◆	Seal ring, EPDM	9613095206	9613095209	9613095219	9613095212	9613095212
	◆	Seal ring, NBR	9613095214	9613095215	9613095220	9613095216	9613095216
	◆	Seal ring, FPM Alfa Laval recommends EPDM	9613095205	9613095208	9613095218	9613095211	9613095211
	◆	Seal ring, HNBR	9613095204	9613095207	9613095217	9613095210	9613095210
	1	Seal ring set, (10 pcs.) EPDM	8010023169	8010023169	8010023170	8010023171	8010023172
75	1	Lower plug	9613008302	9613091002	9613017402	9613017404	
Lower sealing element							
70	2	Flushing tube	9613007902	9613007903	9613007904	9613007904	9613007905
71	◆	O-ring, EPDM	9611993119	9611993119	9611993119	9611993119	9611993119
72	1	Drain	9613008001	9613008001	9613008001	9613008001	9613008001
73	1	Nozzle	9613008002	9613008002	9613008002	9613008002	9613008002
76	◆	O-ring, EPDM	9611993632	9611993636	9611993640	9611993640	9611993644
	◆	O-ring, NBR	9611993633	9611993637	9611993641	9611993641	9611993645
	◆	O-ring, FPM	9611993634	9611993638	9611993642	9611993642	9611993646
	◆	O-ring, HNBR	9611993635	9611993639	9611993643	9611993643	9611993647
77	◆	Lip seal, EPDM	9613008501	9613008511	9613008511	9613008511	9613008511
	◆	Lip seal, NBR	9613008502	9613008512	9613008512	9613008512	9613008512
	◆	Lip seal, FPM	9613008503	9613008513	9613008513	9613008513	9613008513
	◆	Lip seal, HNBR	9613008504	9613008514	9613008514	9613008514	9613008514
78	1	O-ring, EPDM	9611993653	9611993654	9611993654	9611993654	9611993654
79	1	Lower sealing element	9613024001	9613024201	9613024401	9613024401	9613024601
80	1	Guide ring, PTFE	9613008416	9613008417	9613008417	9613008417	9613008417
81	1	Cover	9613049002	9613049003	9613049004	9613049004	9613049004
Extra parts if clamped valve body							
52	1	O-ring, EPDM	9611993632	9611993636	9611993640	9611993640	9611993644
	1	O-ring, NBR	9611993633	9611993637	9611993641	9611993641	9611993645
	1	O-ring, FPM	9611993634	9611993638	9611993642	9611993642	9611993646
	1	O-ring, HNBR	9611993635	9611993639	9611993643	9611993643	9611993647

Pos. 37, see section 20 Valve body

See note below service kits.

Plug setup 16



○ = wear parts

* = with SpiralClean in leakage chamber

Plug setup 16

		DN/OD 51 DN 50 Seat ø53.3	DN/OD 63.5 DN/OD 76.1 DN 65/DN 80 Seat ø81.3	#2 DN/OD 101.6 DN 100 Seat ø100.3	#1 DN/OD 101.6 DN 100 Seat ø115.3	DN 125 DN 150 Seat ø115.3
♦	Service kit, EPDM	9611921598	9611921599	9611926342	9611921602	9611926033
♦	Service kit, NBR	9611921605	9611921606	9611926343	9611921608	9611926034
♦	Service kit, FPM	9611921611	9611921612	9611926344	9611921614	9611926035
♦	Service kit, HNBR	9611921617	9611921618	9611926345	9611921620	9611926036

For mixed size housings, the service kit is determined by the smallest size connection on the valve.

One exception is any housing with 6" connections will always refer to the 6" service kits listed below:

♦	Service kit, EPDM	9611926113	9611926177	9611926382	9611926241
♦	Service kit, NBR	9611926114	9611926178	9611926383	9611926242
♦	Service kit, FPM	9611926115	9611926179	9611926384	9611926243
♦	Service kit, HNBR	9611926116	9611926180	9611926385	9611926244

Parts marked with ♦ are included in the service kit.

#1 = Serial no. below 1030000 - manufactured before October 1st 2003

#2 = Serial no. above 1030000 - manufactured after October 1st 2003

NOTE!

If different connection size on upper and lower body, except for size 6", it is always the smallest body that determines the service kit.

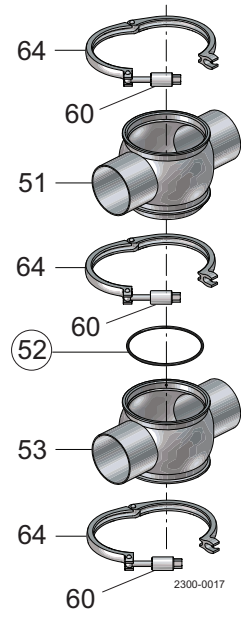
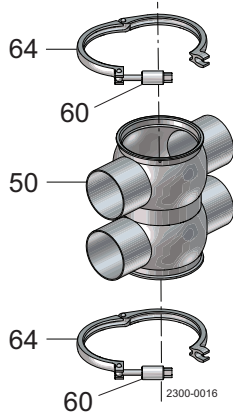
If clamped valve body an extra O-ring (pos. 52) is required.

If SpiralClean in leakage chamber extra O-rings (2x pos. 39 and 1x pos. 40) is required.

Spare parts for mix size please refer to Configurator in AL Anytime

NOTE!

All FPM service kits are supplied with EPDM seal ring, pos. 74.



Body combination - welded bodies

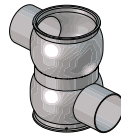
11-00



11-90



11-180



11-270



12-00



12-90



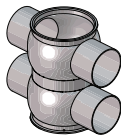
21-00



21-90



22-00



22-90



2319-0103

Valve body

Pos	Qty	Denomination	DN/OD38	DN40	DN/OD51	DN50
			Seat ø53.3	Seat ø53.3	Seat ø53.3	Seat ø53.3
37	1	Intermediate piece, plug set-up 9-16	9613015601	9613015602	9613019001	9613019002
	1	Intermediate piece, plug set-up 1-8	9613015603	9613015604	9613019004	9613019005
60	2	Hexnut	9613023201	9613023201	9613023201	9613023201
64	2	Clamp without nut	9613021401	9613021401	9613021501	9613021501
External and internal blasted						
50	1	Valve body, 11-00	9613057101	9613057111	9613057201	9613057211
	1	Valve body, 12-00	9613057105	9613057115	9613057205	9613057215
	1	Valve body, 21-00	9613057107	9613057117	9613057207	9613057217
	1	Valve body, 22-00	9613057109	9613057119	9613057209	9613057219
	1	Valve body, 11-90	9613057102	9613057112	9613057202	9613057212
	1	Valve body, 12-90	9613057106	9613057116	9613057206	9613057216
	1	Valve body, 21-90	9613057108	9613057118	9613057208	9613057218
	1	Valve body, 22-90	9613057110	9613057120	9613057210	9613057220
	1	Valve body, 11-180	9613057103	9613057113	9613057203	9613057213
	1	Valve body, 11-270	9613057104	9613057114	9613057204	9613057214
Clamped valve body						
External and internal blasted						
51	1	Valve body, upper, 1 port	9613058003	9613058103	9613058005	9613058105
	1	Valve body, upper, 2 ports	9613058004	9613058104	9613058006	9613058106
53	1	Valve body, lower, 1 port	9613058303	9613058403	9613058305	9613058405
	1	Valve body, lower, 2 ports	9613058304	9613058404	9613058306	9613058406
Extra parts if clamped valve body						
52	1	O-ring, EPDM	9611993628	9611993628	9611993632	9611993632
	1	O-ring, NBR	9611993629	9611993629	9611993633	9611993633
	1	O-ring, FPM	9611993630	9611993630	9611993634	9611993634
	1	O-ring, HNBR	9611993631	9611993631	9611993635	9611993635
60	1	Hexnut	9613023201	9613023201	9613023201	9613023201
64	1	Clamp without nut	9613021401	9613021401	9613021501	9613021501

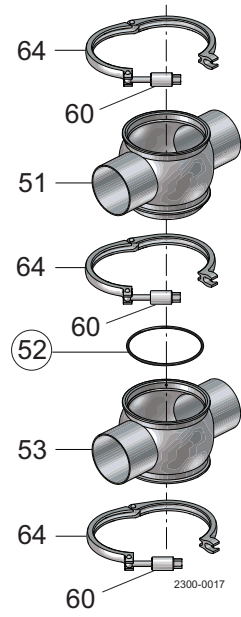
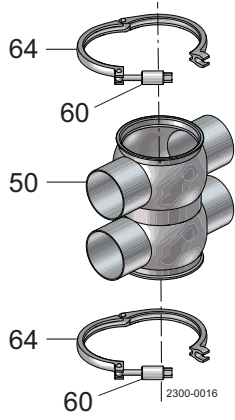
Pos	Qty	Denomination	DN/OD 63.5	DN65	DN/OD 76.1	DN80
			seat ø81.3	seat ø81.3	seat ø81.3	seat ø81.3
37	1	Intermediate piece, plug set-up 9-16	9613019101	9613019102	9613019103	9613019104
	1	Intermediate piece, plug set-up 1-8	9613019106	9613019107	9613019108	9613019109
60	2	Hexnut	9613023201	9613023201	9613023201	9613023201
64	2	Clamp without nut	9613021601	9613021601	9613021601	9613021601
External and internal blasted						
50	1	Valve body, 11-00	9613057301	9613057311	9613057401	9613057411
	1	Valve body, 12-00	9613057305	9613057315	9613057405	9613057415
	1	Valve body, 21-00	9613057307	9613057317	9613057407	9613057417
	1	Valve body, 22-00	9613057309	9613057319	9613057409	9613057419
	1	Valve body, 11-90	9613057302	9613057312	9613057402	9613057412
	1	Valve body, 12-90	9613057306	9613057316	9613057406	9613057416
	1	Valve body, 21-90	9613057308	9613057318	9613057408	9613057418
	1	Valve body, 22-90	9613057310	9613057320	9613057410	9613057420
	1	Valve body, 11-180	9613057303	9613057313	9613057403	9613057413
	1	Valve body, 11-270	9613057304	9613057314	9613057404	9613057414
Clamped valve body						
External and internal blasted						
51	1	Valve body, upper, 1 port	9613058007	9613058107	9613058009	9613058109
	1	Valve body, upper, 2 ports	9613058008	9613058108	9613058010	9613058110
53	1	Valve body, lower, 1 port	9613058307	9613058407	9613058309	9613058409
	1	Valve body, lower, 2 ports	9613058308	9613058408	9613058310	9613058410
Extra parts if clamped valve body						
52	1	O-ring, EPDM	9611993636	9611993636	9611993636	9611993636
	1	O-ring, NBR	9611993637	9611993637	9611993637	9611993637
	1	O-ring, FPM	9611993638	9611993638	9611993638	9611993638
	1	O-ring, HNBR	9611993639	9611993639	9611993639	9611993639
60	1	Hexnut	9613023201	9613023201	9613023201	9613023201
64	1	Clamp without nut	9613021601	9613021601	9613021601	9613021601

NOTE!

If different connection size on upper and lower body, except for size 6", it is always the smallest body that determines the service kit.

If clamped valve body an extra O-ring (pos. 52) is required.

Spare parts for mix size please refer to Configurator in AL Anytime



Body combination - welded bodies

11-00



11-90



11-180



11-270



12-00



12-90



21-00



21-90



22-00



22-90



2319-0103

Valve body

Pos	Qty	Denomination	#2	#2	#1	#1	DN125	DN 150
			DN/OD101.6 Seat ø100.3	DN100 Seat ø100.3	DN/OD101.6 Seat ø115	DN100 Seat ø115		
37	1	Intermediate piece, plug set-up 9-16	9613019201	9613019202	9613019201	9613019202	9613019301	9613019303
	1	Intermediate piece, plug set-up 1-8	9613019204	9613019205	9613019204	9613019205	9613019305	9613019307
60	2	Hexnut	9613023201	9613023201	9613023201	9613023201	9613023201	9613023201
64	2	Clamp without nut	9613021701	9613021701	9613021701	9613021701	9613021801	9613021801
External and internal blasted								
50	1	Valve body, 11-00	9613092701	9613092711	9613057601	9613057611	9613057801	9613057811
	1	Valve body, 12-00	9613092705	9613092715	9613057605	9613057615	9613057805	9613057815
	1	Valve body, 21-00	9613092707	9613092717	9613057607	9613057617	9613057807	9613057817
	1	Valve body, 22-00	9613092709	9613092719	9613057609	9613057619	9613057809	9613057819
	1	Valve body, 11-90	9613092702	9613092712	9613057602	9613057612	9613057802	9613057812
	1	Valve body, 12-90	9613092706	9613092716	9613057606	9613057616	9613057806	9613057816
	1	Valve body, 21-90	9613092708	9613092718	9613057608	9613057618	9613057808	9613057818
	1	Valve body, 22-90	9613092710	9613092720	9613057610	9613057620	9613057810	9613057820
	1	Valve body, 11-180	9613092703	9613092713	9613057603	9613057613	9613057803	9613057813
	1	Valve body, 11-270	9613092704	9613092714	9613057604	9613057614	9613057804	9613057814
Clamped valve body								
External and internal blasted								
51	1	Valve body, upper, 1 port ...	9613058037	9613058149	9613058011	9613058111	9613058113	9613058115
	1	Valve body, upper, 2 ports ..	9613058038	9613058150	9613058012	9613058112	9613058114	9613058116
53	1	Valve body, lower, 1 port ...	9613058311	9613058411	9613058311	9613058411	9613058413	9613058415
	1	Valve body, lower, 2 ports ..	9613058312	9613058412	9613058312	9613058412	9613058414	9613058416
Extra parts if clamped valve body								
52	1	O-ring, EPDM	9611993640	9611993640	9611993640	9611993640	9611993644	9611993644
	1	O-ring, NBR	9611993641	9611993641	9611993641	9611993641	9611993645	9611993645
	1	O-ring, FPM	9611993642	9611993642	9611993642	9611993642	9611993646	9611993646
	1	O-ring, HNBR	9611993643	9611993643	9611993643	9611993643	9611993647	9611993647
60	1	Hexnut	9613023201	9613023201	9613023201	9613023201	9613023201	9613023201
64	1	Clamp without nut	9613021701	9613021701	9613021701	9613021701	9613021801	9613021801

NOTE!

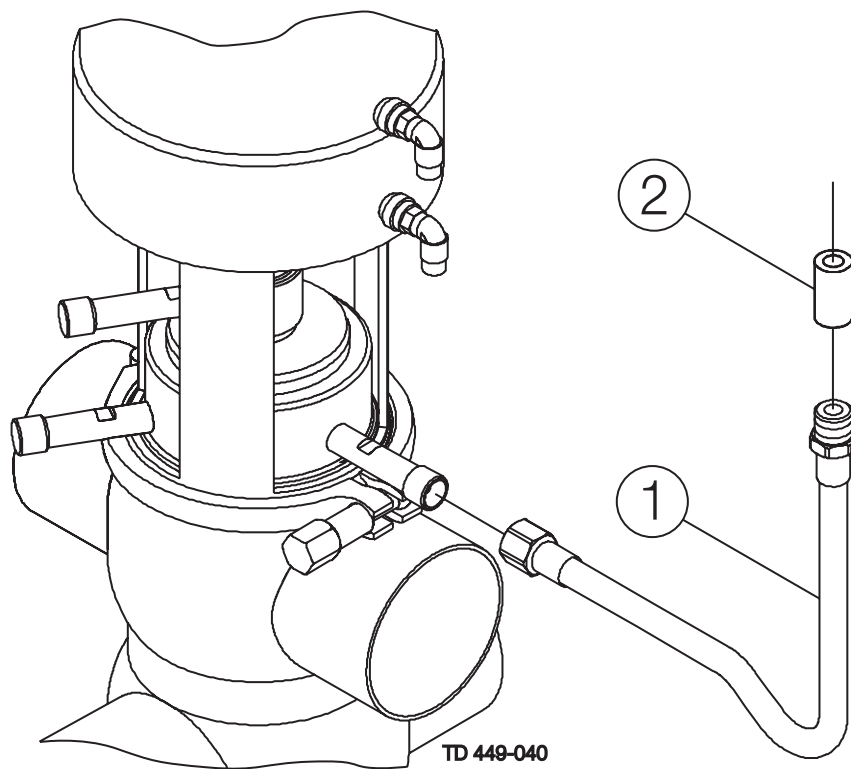
If different connection size on upper and lower body, except for size 6", it is always the smallest body that determines the service kit.

If clamped valve body an extra O-ring (pos. 52) is required.

Spare parts for mix size please refer to Configurator in AL Anytime

#1 = Serial no. below 1030000 - manufactured before October 1st 2003

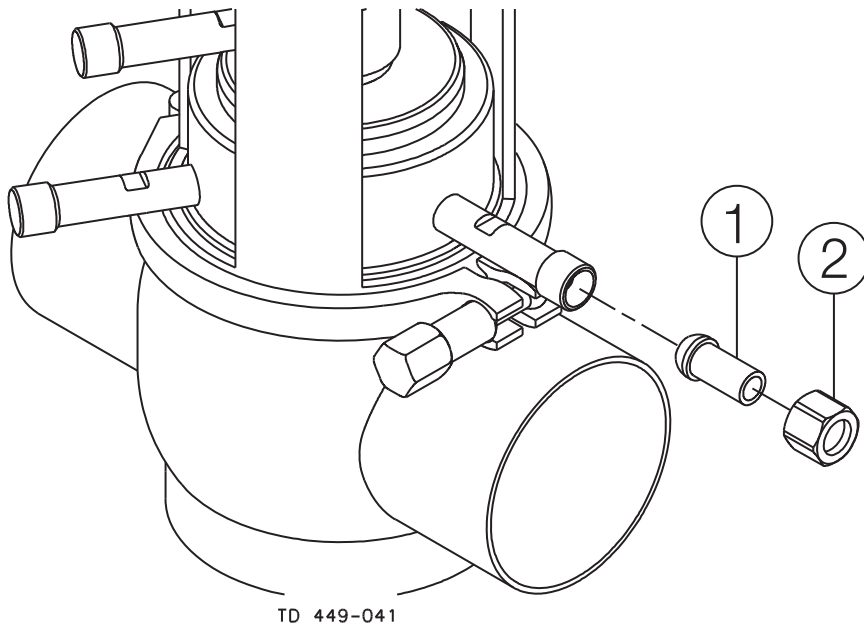
#2 = Serial no. above 1030000 - manufactured after October 1st 2003



Installation kit B

Pos	Qty	Denomination	
1	1	Hose PTFE w. s.s. weave	3135707451
2	1	Welding socket	9611990917

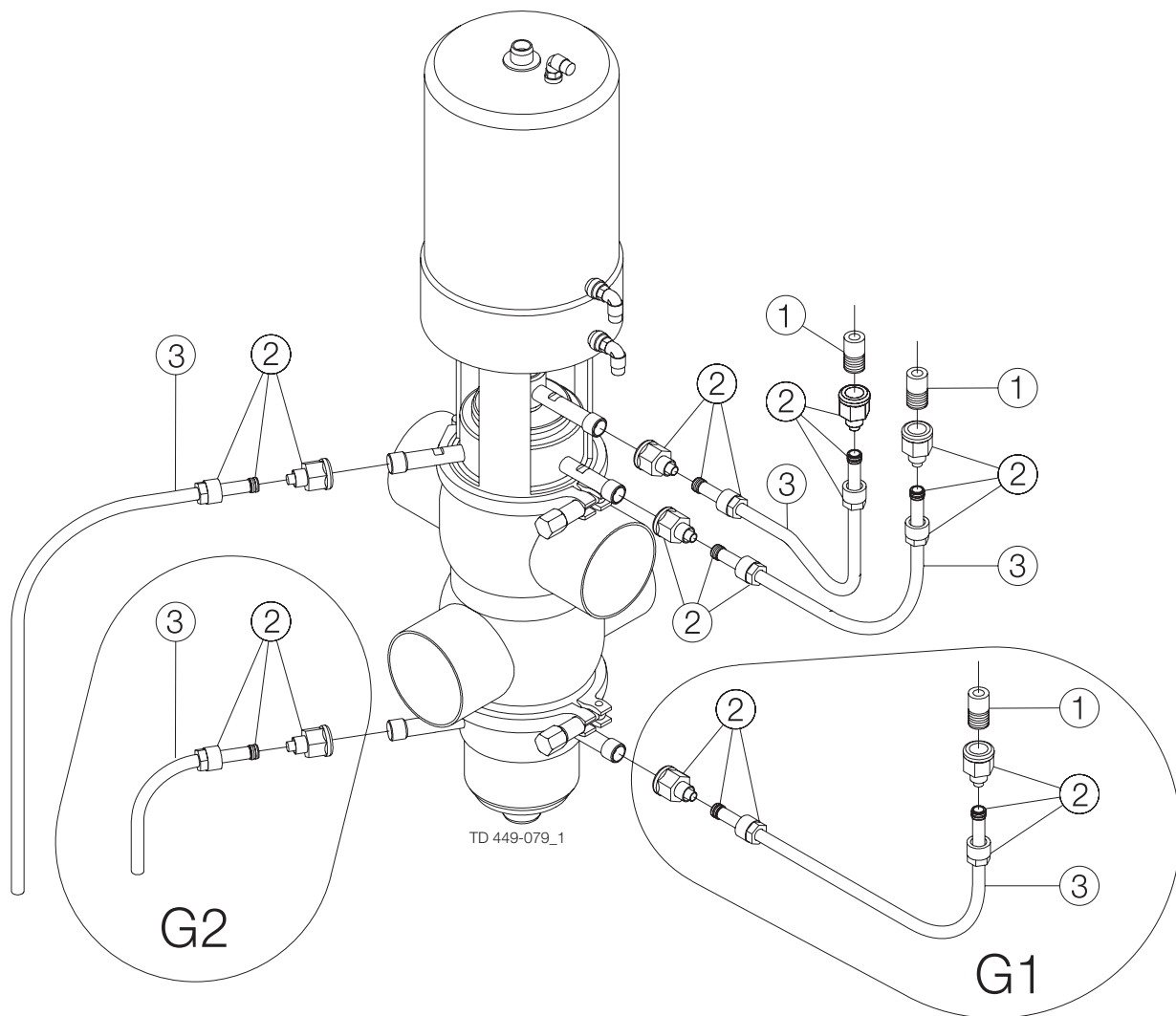
900-111/1



Installation kit C

Pos	Qty	Denomination	3135710053
1	1	Welding liner	3135707431
2	1	Nut	3135707441

900-112/0



Installation kit G

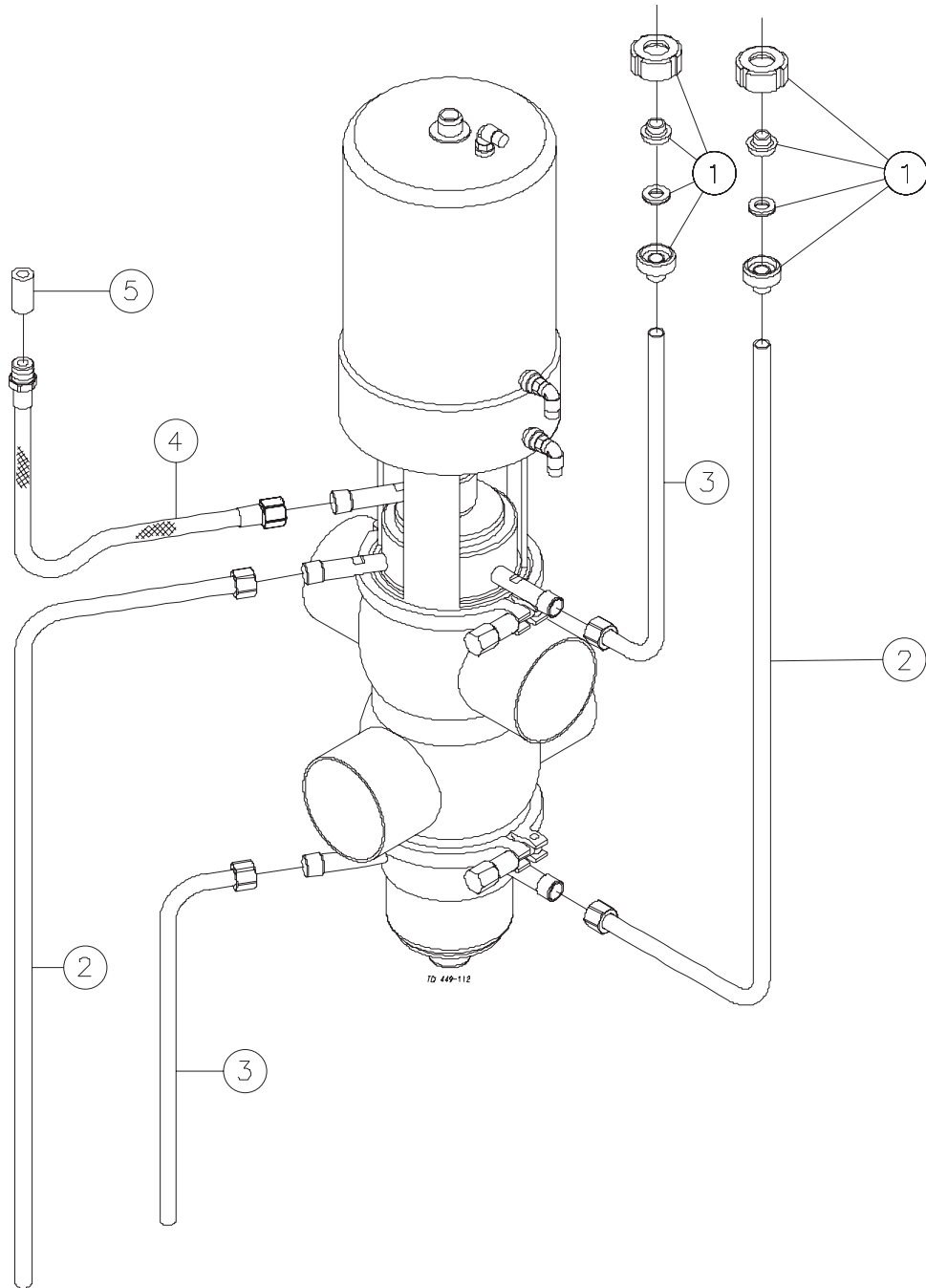
Installation Kit G1

Pos	Qty	Denomination	
1	1	Welding male part, AISI 316	3135707471
2	2	3/8" 10 mm Female PVDF	9611992372
3	1	10 mm PVDF hose, 1m	9611992607

Installation Kit G2

Pos	Qty	Denomination	
2	1	3/8" 10 mm Female PVDF	9611992372
3	1	10 mm PVDF hose, 1m	9611992607

900-113/2



Installation kit H and B

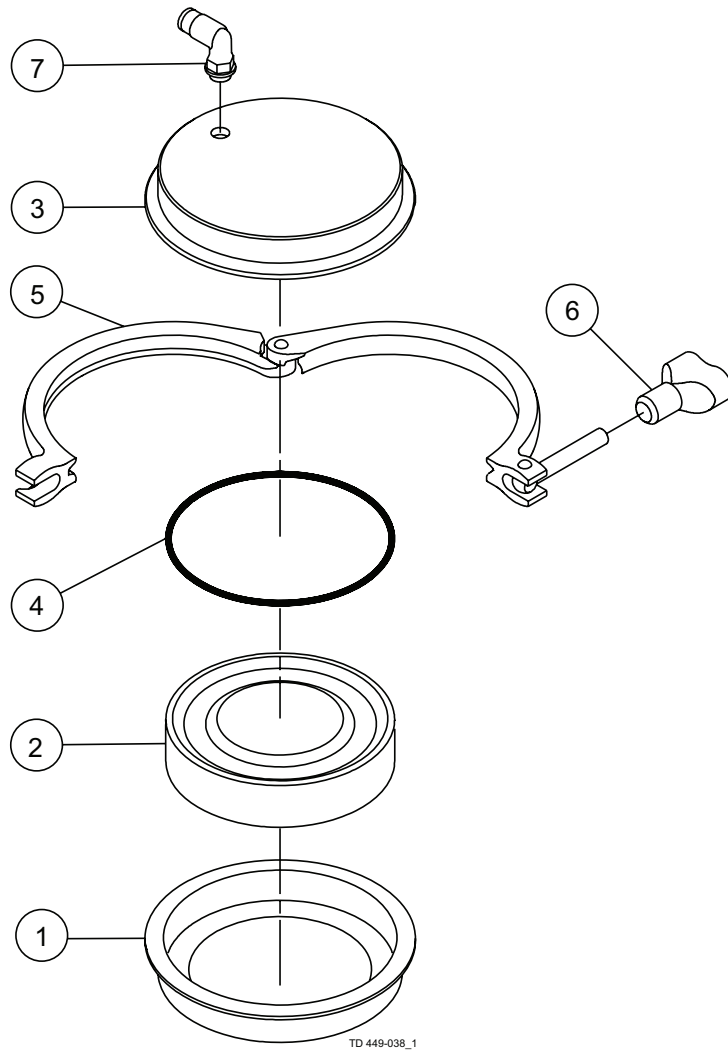
Installation Kit H

Pos	Qty	Denomination	
1	1	DIN union DN10	9611305791
	1	Nut, DN10	9611306420
	1	Welding liner DIN, DN10	9611305950
	1	Packing NBR, DN10	52734601
	1	Male part DIN, DN10	9611305900
2	1	12 mm CIP pipe long	3135710014
3	1	12 mm CIP pipe	3135710013

Installation Kit B

Pos	Qty	Denomination	
4	1	Hose PTFE w. s.s. weave	3135707451
5	1	Welding socket	9611990917

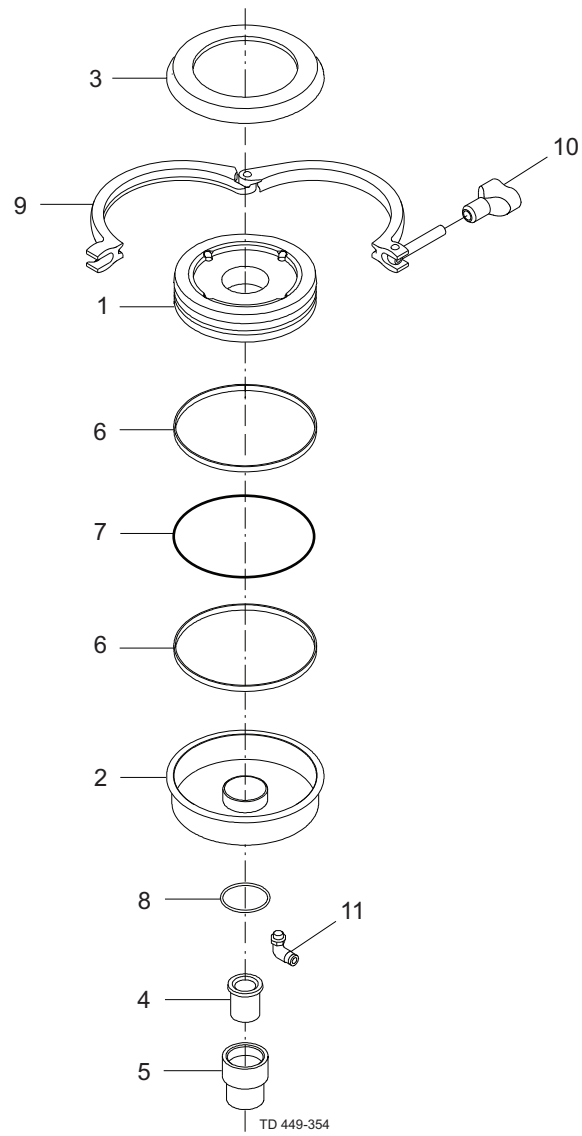
900-114/1



Axial installation tool

Pos	Qty	Denomination	Seat ø53.3	Seat ø81.3	Seat ø100.3	Seat ø115.3
		Complete tool	9613050501	9613050502	9613050508	9613050503
1	1	Lower Part				
2	1	Piston				
3	1	Upper Part				
4	1	O-ring, NBR	9611993703	9611993703	9611993349	9611993349
5	1	Clamp				
6	1	Wingnut				
7	1	Air fitting				

TD900-663/2



Radial installation tool

Pos	Qty	Denomination	Seat ø53.3	Seat ø81.3	Seat ø100.3	Seat ø115.3
		Complete tool	9613426001	9613426002	9613426003	9613426004
1	1	Piston				
2	1	Lower Part				
3	1	Upper Part				
4	1	Bushing				
5	1	Guide				
6	2	Guide ring	9613008422	9613008422	9613008422	9613008422
7	1	O-ring, NBR	9611993349	9611993349	9611993349	9611993349
8	1	O-ring, NBR	9611993705	9611993705	9611993705	9611993705
9	1	Clamp				
10	1	Wingnut				
11	1	Air fitting				

TD900-664/2

How to contact Alfa Laval

Contact details for all countries are continually updated on our website.

Please visit www.alfalaval.com to access the information directly.

© Alfa Laval Corporate AB

This document and its contents is owned by Alfa Laval Corporate AB and protected by laws governing intellectual property and thereto related rights. It is the responsibility of the user of this document to comply with all applicable intellectual property laws. Without limiting any rights related to this document, no part of this document may be copied, reproduced or transmitted in any form or by any means (electronic, mechanical, photocopying, recording, or otherwise), or for any purpose, without the expressed permission of Alfa Laval Corporate AB. Alfa Laval Corporate AB will enforce its rights related to this document to the fullest extent of the law, including the seeking of criminal prosecution.