



# ALU-JET 06 central locking system



## Product characteristics

- Universally applicable for all opening methods
- Uniform Ø 6 mm connecting-rod holes for all coupling points
- Suitable for all common and special opening methods
- Use of commercially available connecting rod profiles
- Non-handed mishandling device integrated in the corner-drive



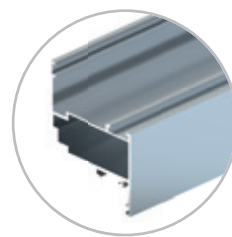
**Efficient toolless mounting**  
Efficient installation thanks to toolless mounting of corner-drives

## Product overview

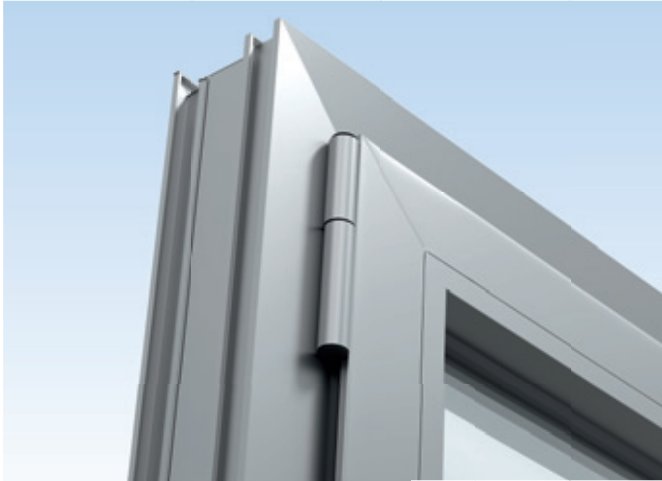
Designation	Clearance [mm]	Frame grooves [mm]	Tested hardware load-bearing capacity [kg]	Sash width [mm]	Sash height [mm]
ALU-JET 06 central locking system with ALU-JET 606 surface-mounted hinge-side	11.5	10/14 12/15 14/18	80 [1] 130 [2]	410-1700	500-2800
ALU-JET 06 central locking system with ALU-JET CC606 concealed hinge-side	11.5	10/14 12/15 (on request) 14/18	150	530-1600	500-2800

[1] without additional parts | [2] with additional parts on stay-hinge

For all stated weights and dimensions, please refer to our application diagrams and the manufacturer's profile information! For more information: [www.g-u.com](http://www.g-u.com)



# ALU-JET 606 surface-mounted hinge-side



## Product characteristics

- Universally applicable for Tilt&Turn, Tilt-First, Turn-Only and Tilt-Only sashes
- Efficient mounting through modularly preassembled modules
- Extensive range of surface finishes
- All components are non-handed
- Secure connection of stay-arm and stay-hinge (no loosening of screws)
- Comfortable 3D adjustment
- Maintenance-free stay-hinges and corner-hinges
- For profile systems with hinge-passage from 3 mm



## Consistent look

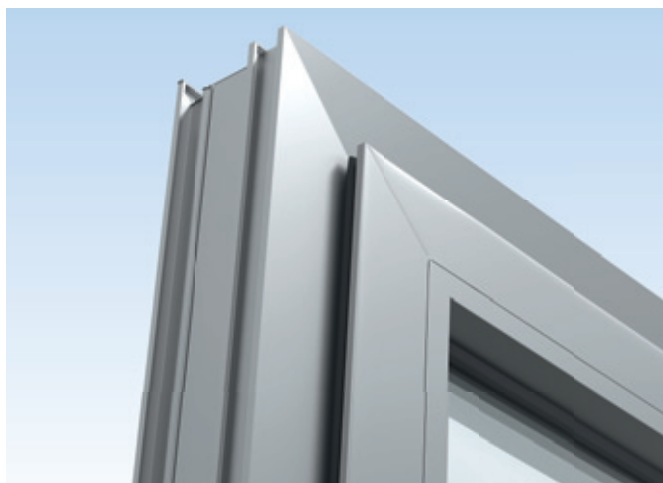
Stay-hinge and corner-hinge are flush-fitting with the sash overlap

## Product overview

Designation	Clearance [mm]	Frame grooves [mm]	Tested hardware load-bearing capacity [kg]	Sash width [mm]	Sash height [mm]
ALU-JET 606 surface-mounted hinge-side	11.5	10/14 12/15 14/18	80 [1] 130 [2]	410-1700	500-2800

[1] without additional parts | [2] with additional parts on stay-hinge

For all stated weights and dimensions, please refer to our application diagrams and the manufacturer's profile information! For more information: [www.g-u.com](http://www.g-u.com)

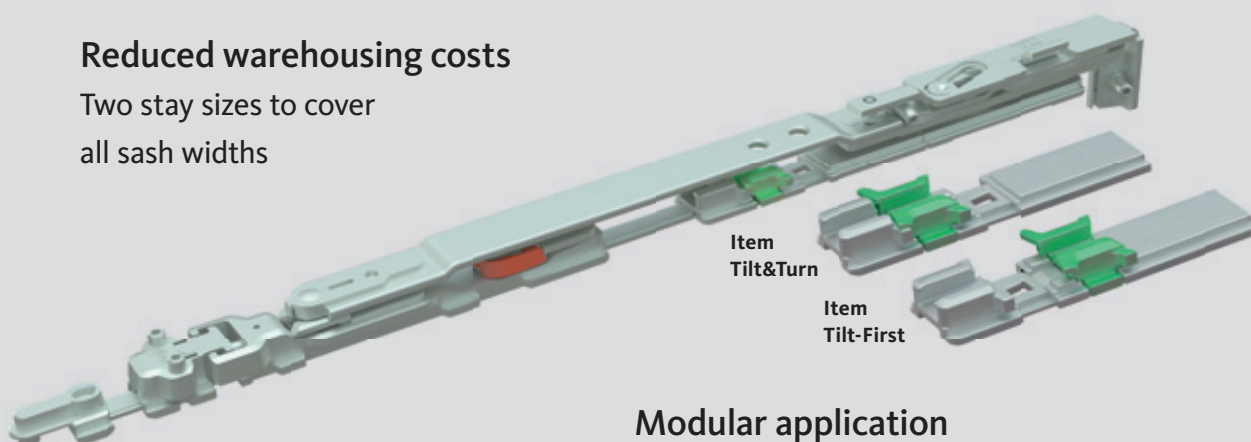


## Product characteristics

- Universally applicable for Tilt&Turn, Tilt-First, Turn-Only and Tilt-Only sashes
- Sash weights up to 150 kg possible without additional components
- For hinge-side locking on Turn-Only sashes, the central locking system can be guided through the Turn-Only stay-guide

## Reduced warehousing costs

Two stay sizes to cover all sash widths



## Modular application

Thanks to intelligent plug-in technology can be used for Tilt&Turn and Tilt-First applications

### Product overview

Designation	Clearance [mm]	Frame grooves [mm]	Tested hardware load-bearing capacity [kg]	Sash width [mm]	Sash height [mm]
ALU-JET CC606 concealed hinge-side	11.5	10/14 12/15 (on request) 14/18	150	530–1600	500–2800

For all stated weights and dimensions, please refer to our application diagrams and the manufacturer's profile information! For more information: [www.g-u.com](http://www.g-u.com)

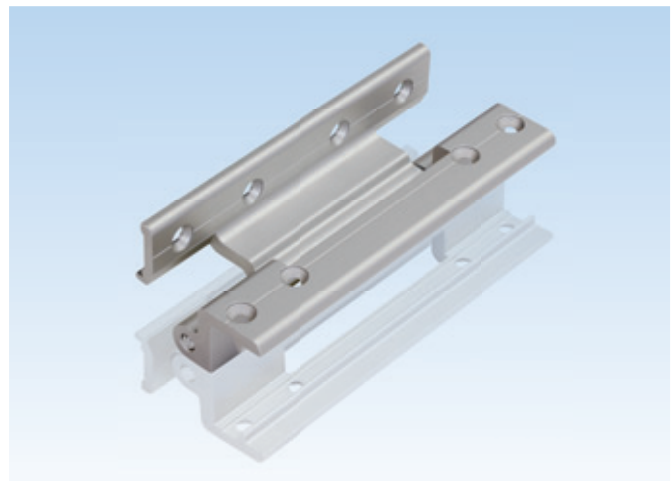
# ALU-JET S800

The project solution for heavy facade elements up to 300 kg



## Product characteristics

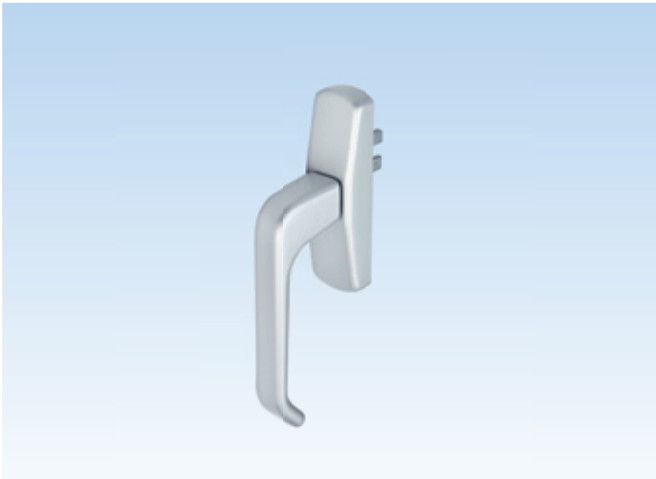
- Applicable for Turn-Only and Tilt-Only sashes
- Opening angle 180°
- For profile systems with hinge-passage from 7 mm
- Extensive range of surface finishes
- Maintenance-free, high-performance polymer bearings



## Product overview

Designation	Clearance [mm]	Frame grooves [mm]	Tested hardware load-bearing capacity [kg]	Sash width [mm]	Sash height [mm]
Turn-Only hinge/Tilt-Only hinge ALU-JET S800	11.5	10/14 12/15 14/18	300	max. 1700 [1] max. 2800 [2]	max. 2800 [1] max. 1700 [2]

[1] Turn-Only sash | [2] Tilt-Only sash  
For all stated weights and dimensions, please refer to our application diagrams and the manufacturer's profile information! For more information: [www.g-u.com](http://www.g-u.com)



SPACIO geared turn handle

## Geared turn handles

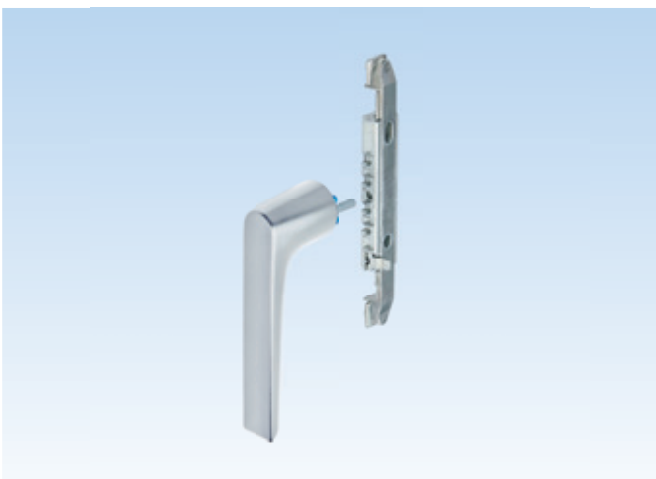
- Available in fork lengths of 22 mm and 33 mm
- With one carrier fork for all standard applications
- With two carrier forks for spreading function on Turn-Only sashes with 90° handle actuation angle
- Optionally with removable service handles
- Optionally tested in accordance with EN 1627



BELCANTO turn handle with insertable gear

## Turn handles in combination with insertable gear

- Extensive range of designs and surface finishes
- Optional versions:
  - lockable with key or push-button
  - lockable, for Tilt-First function
  - removable service handles
  - tested in accordance with EN 13126-3
  - tested in accordance with EN 1627
- Insertable gear:
  - optionally with mishandling device
  - optionally with anti-drill plate and connecting rod fixing for increased burglar resistance up to RC3 according to EN 1627



Rosette-free turn handle with insertable gear

## Rosette-free turn handles with insertable gear

- Turn handles without visible substructure for high design demands in projects
- Optional versions:
  - lockable with key
  - lockable, for Tilt-First function
- Installation without milling work on the aluminium profile
- Insertable gear:
  - with mishandling device

# Facades with innovative opening mechanisms







### Parallel-Projecting hardware

The special solution for sashes with weights up to 400 kg, opening widths up to 250 mm and sash heights up to 5000 mm. Parallel-Projecting windows can be created with a comprehensive range of GU stays for all frame materials, such as timber, PVC, aluminium and timber/aluminium.

### Turn-Only hardware

Today's facades, with floor-to-ceiling glazing, are a challenge for standard hardware. Gretsche-Unitas meets these requirements with specially developed hinges for Turn-Only sashes. They are concealed in the rebate and can bear sash weights of up to 350 kg.

### Projecting Top-Hung hardware

This hardware range offers a number of different Projecting Top-Hung friction stays with opening angles from 20° to 50°. Sashes can be made to a height of 2500 mm. Projecting Top-Hung windows can be made with GU stays for all frame materials, such as timber, PVC, aluminium and timber/aluminium.

### Special constructions

Our specialists have developed innovative opening mechanisms to meet individual customer requirements regarding ventilation elements in building envelopes. We draw on our many years of experience and creative ideas to produce solutions tailored to each project.

#### Possible constructions / solutions with Parallel-Projecting windows

Designation Parallel-Projecting friction stay	Max. sash weight* [kg]	Sash height [mm]	Sash width [mm]	Opening width [mm]	
				manual	motor-driven
PAS350	100	350– 750	350–2000	150	180
PAS450	100	450–1000	450–2000	180	250
PAS670	200	670–1500	670–2000	150	180
PAS930	200	930–2000	930–2000	180	250
PAS1135	200	1400–2100	1400–2000	180	250

\*Higher weights are possible if required

#### Possible constructions / solutions with Turn-Only windows

Designation	Max. sash weight [kg]	Sash height [mm]	Sash width [mm]	Opening width [°]
Concealed Turn-Only hinge	350	425–3500	350–1600	95
Stainless steel Turn-Only hinge	200	430–2800	450–1400	180

#### Possible constructions / solutions with Projecting Top-Hung windows

Designation Projecting Top-Hung friction stay	Max. sash weight [kg]	Sash height [mm]	Sash width [mm]	Opening width [°]
SKS40	40	276– 640	450–2500	50
SKS50	50	640– 800	450–2500	50
SKS65	65	800–1100	450–2500	50
SKS65H	100	600–1100	450–2500	30
SKS100	100	1100–1500	520–2500	45
SKS100H	100	1500–2000	520–2500	20
SKS180	180	2000–2500	520–2500	20





## 1.0 Central locking systems

Table of contents

17

## 2.0 Surface-mounted hinge-sides

Table of contents

69

## 3.0 Concealed hinge-sides

Table of contents

95

## 4.0 Frame parts

Table of contents

105

## 5.0 Turn handles

Table of contents

111

## 6.0 Accessories

Table of contents

129

## 7.0 Additional information

Table of contents

139





## Standard hardware set overviews

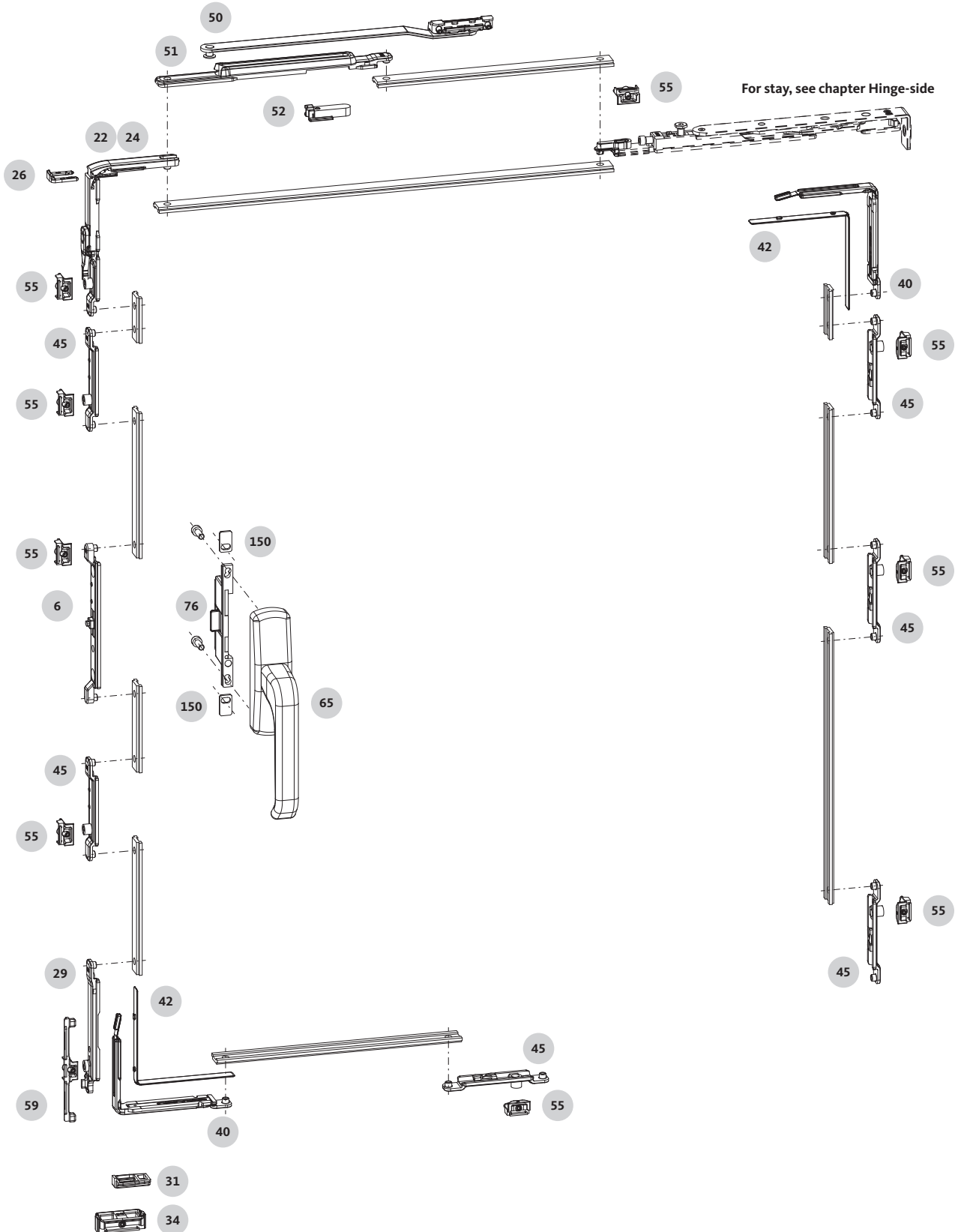
Tilt&Turn window with geared turn handle	18
Tilt&Turn window with insertable gear	20
Tilt-First window with geared turn handle	22
Tilt-First window with insertable gear	24
Turn-Only window with standard central locking system and geared turn handle	26
Turn-Only window with standard central locking system and insertable gear	28
Turn-Only window with shoot-bolt and SPACIO geared turn handle (only frame groove 14/18)	30
Turn-Only window with shoot-bolt and ADAGIO-A geared turn handle (only frame groove 14/18)	32
Dummy-mullion sash with central locking system in the sash groove (ST-FLN)	34
Dummy-mullion sash with central locking system with lever-operated gear in the double C groove (ST-DCN)	36
Dummy-mullion sash with central locking system with shoot-bolts in the double C groove (ST-DCN)	38
Tilt-Only window with geared turn handle	42
Tilt-Only window with insertable gear	44

## Individual components

Central locking system set	46
Connector for geared turn handle	51
Insertable gear / insertable lock	52
Corner-drive	55
Tilter	57
Connector with cam	58
Run-up block, sash part	59
Additional stay	60
Hardware components for dummy-mullion sash with central locking system in the sash groove (ST-FLN)	61
Hardware components for dummy-mullion sash with central locking system in the double C groove (ST-DCN)	64
Accessories	67

# Standard hardware set overviews

## Tilt&Turn window with geared turn handle



# Standard hardware set overviews

## Tilt&Turn window with geared turn handle



Item	Description	Piece(s)									PU	Qty. in K-set	Order number
		SW 410-1200			SW 1201-1350			SW 1351-1700					
		SH 500-1200	SH 1201-2200	SH 2201-2800	SH 860-1200	SH 1201-2200	SH 2201-2800	SH 960-1200	SH 1201-2200	SH 2201-2800			

<b>T&amp;T set, central locking system for GTH</b>		1	1	1	1	1	1	1	1	1	1	-	<b>K-19505-00-0-1</b>
6	Connector	1	1	1	1	1	1	1	1	1	1	1	6-30984-06-0-1
22	Corner-drive with M.D.	1	1	1	1	1	1	1	1	1	1	1	6-37120-06-0-1
26	Clamping bracket	1	1	1	1	1	1	1	1	1	1	1	9-48157-00-0-1
29	T&T tilter	1	1	1	1	1	1	1	1	1	1	1	6-37258-06-0-1
31	Run-up block, sash part	1	1	1	-	-	-	-	-	-	-	1	9-40404-00-0-1
34	T&T fanlight hinge	1	1	1	1	1	1	1	1	1	1	1	6-37441-00-0-1

<b>Centre-lock set</b>		-	1	1	1	2	2	1	2	2	1	-	<b>K-19528-00-0-1</b>
40	Corner-drive CL	-	1	1	1	2	2	1	2	2	-	1	6-37266-06-0-1
45	Connector with cam	-	1	1	1	2	2	1	2	2	-	1	6-39396-06-0-1

42	Packer for corner-drive CL *	-	1	1	1	2	2	1	2	2	100	-	9-48466-00-0-1	
45	Connector with cam	with hinge-side 606	-	-	3	-	-	3	-	-	3	100	-	6-39396-06-0-1
		with hinge-side CC606	-	1	4	-	1	4	-	1	4	100	-	

<b>Set of additional T&amp;T stays</b>		-	-	-	-	-	-	1	1	1	10	-	<b>K-19509-00-0-1</b>
50	Stay-arm, additional stay	-	-	-	-	-	-	1	1	1	-	1	6-37840-00-0-1
51	Stay-guide, additional T&T stay	-	-	-	-	-	-	1	1	1	-	1	6-39391-06-0-1
52	Opening restrictor	only with hinge-side 606	-	-	-	-	-	1	1	1	-	1	6-38803-00-0-1

55	Striker	with hinge-side 606, for A=2.0	1	3	5	3	5	7	3	5	7	100	-	6-37261-01-0-1
		with hinge-side 606, for A=1.5	1	3	5	3	5	7	3	5	7	100	-	6-37261-02-0-1
		with hinge-side CC606, for A=2.0	1	4	6	3	6	8	3	6	8	100	-	6-37261-01-0-1
		with hinge-side CC606, for A=1.5	1	4	6	3	6	8	3	6	8	100	-	6-37261-02-0-1
59	T&T striker	for A=2.0	1	1	1	1	1	1	1	1	1	100	-	6-37272-01-0-1
		for A=1.5	1	1	1	1	1	1	1	1	1	100	-	6-37272-02-0-1
65	SPACIO geared turn handle	HP 96/104	1	1	1	1	1	1	1	1	1	10	-	G-46551-96-0-1
		HP 84/98	1	1	1	1	1	1	1	1	1	10	-	G-46551-00-0-1

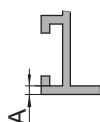
### Alternative to item 22 and 26

76	Mishandling device	HP 96/104	1	1	1	1	1	1	1	1	1	10	-	6-31065-40-0-1
		HP 84/98	1	1	1	1	1	1	1	1	1	10	-	6-31065-10-0-1
<b>Corner-drive without M.D.</b>			<b>1</b>	<b>1</b>	<b>1</b>	<b>1</b>	<b>1</b>	<b>1</b>	<b>1</b>	<b>1</b>	<b>1</b>	<b>50</b>	-	<b>K-19774-06-0-1</b>
24	Corner-drive without M.D.		1	1	1	1	1	1	1	1	1	-	1	6-37264-06-0-1
26	Clamping bracket		1	1	1	1	1	1	1	1	1	-	1	9-48157-00-0-1

### Accessories

150	Packer plate for geared turn handle	for reinforcement of sash overlap	2	2	2	2	2	2	2	2	2	100	-	9-50091-00-0-8
-----	-------------------------------------	-----------------------------------	---	---	---	---	---	---	---	---	---	-----	---	----------------

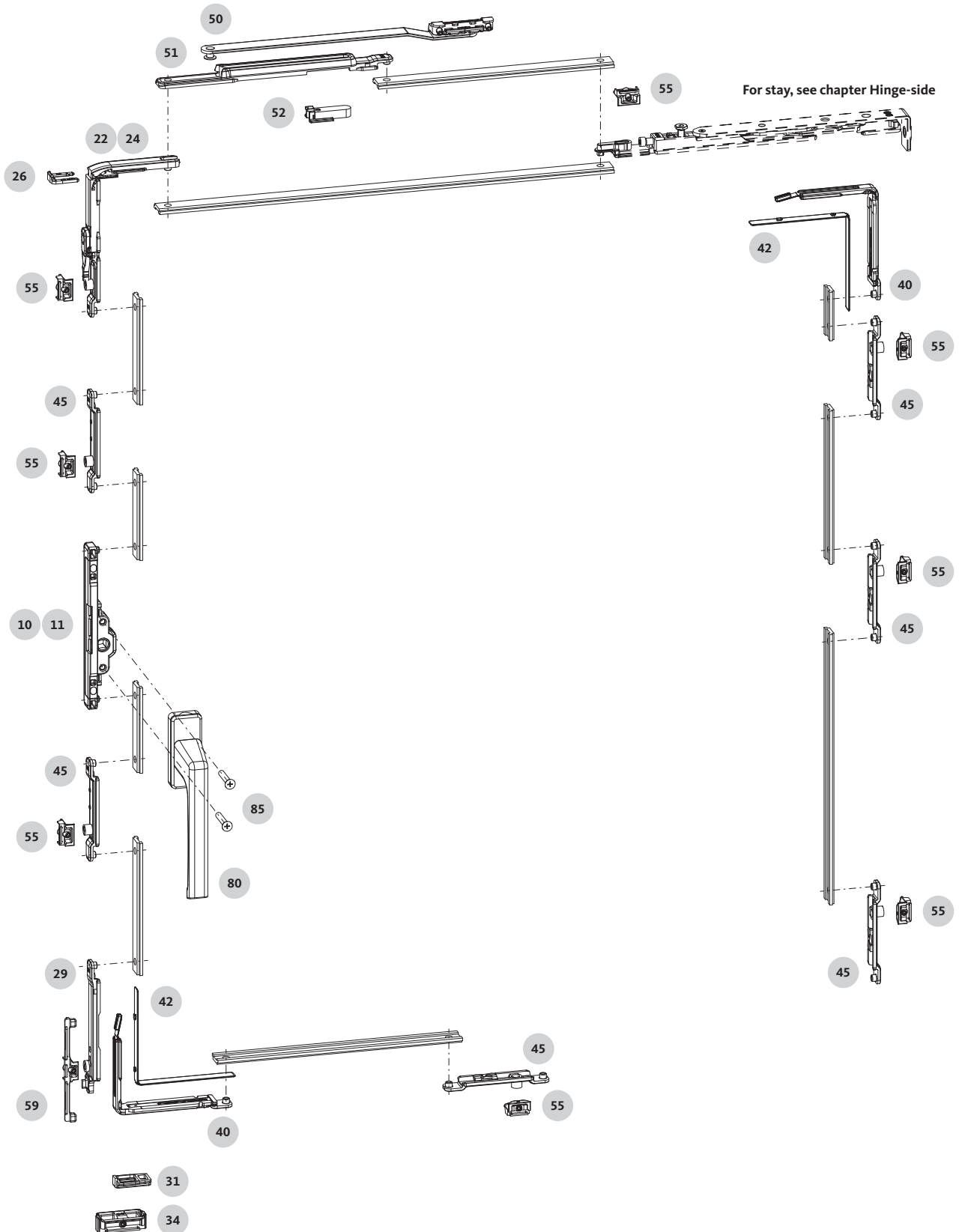
\* only with deep groove with groove width 13.6-15 and groove depth 5.5-7



For additional versions and finishes, see page 46 onwards

# Standard hardware set overviews

## Tilt&Turn window with insertable gear





# Standard hardware set overviews

## Tilt&Turn window with insertable gear



Item	Description	Piece(s)									PU	Qty. in K-set	Order number
		SW 410-1200			SW 1201-1350			SW 1351-1700					
		SH 500-1200	SH 1201-2200	SH 2201-2800	SH 860-1200	SH 1201-2200	SH 2201-2800	SH 960-1200	SH 1201-2200	SH 2201-2800			

<b>T&amp;T set, central locking system with IG</b>		1	1	1	1	1	1	1	1	1	1	-	<b>K-19506-00-0-1</b>
10	Insertable gear w/o M.D.	1	1	1	1	1	1	1	1	1	1	1	6-39385-06-0-1
22	Corner-drive with M.D.	1	1	1	1	1	1	1	1	1	1	1	6-37120-06-0-1
26	Clamping bracket	1	1	1	1	1	1	1	1	1	1	1	9-48157-00-0-1
29	T&T tilter	1	1	1	1	1	1	1	1	1	1	1	6-37258-06-0-1
31	Run-up block, sash part	1	1	1	-	-	-	-	-	-	-	1	9-40404-00-0-1
34	T&T fanlight hinge	1	1	1	1	1	1	1	1	1	1	1	6-37441-00-0-1

<b>Centre-lock set</b>		-	1	1	1	2	2	1	2	2	1	-	<b>K-19528-00-0-1</b>
40	Corner-drive CL	-	1	1	1	2	2	1	2	2	-	1	6-37266-06-0-1
45	Connector with cam	-	1	1	1	2	2	1	2	2	-	1	6-39396-06-0-1

42	Packer for corner-drive CL *	-	1	1	1	2	2	1	2	2	100	-	9-48466-00-0-1	
45	Connector with cam	with hinge-side 606	-	1	3	-	1	3	-	1	3	100	-	6-39396-06-0-1
		with hinge-side CC606	-	2	4	-	2	4	-	2	4	100	-	

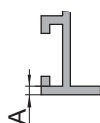
<b>Set of additional T&amp;T stays</b>		-	-	-	-	-	-	1	1	1	10	-	<b>K-19509-00-0-1</b>	
50	Stay-arm, additional stay	-	-	-	-	-	-	1	1	1	-	1	6-37840-00-0-1	
51	Stay-guide, additional T&T stay	-	-	-	-	-	-	1	1	1	-	1	6-39391-06-0-1	
52	Opening restrictor	only with hinge-side 606	-	-	-	-	-	-	1	1	1	-	1	6-38803-00-0-1

55	Striker	with hinge-side 606, for A=2.0	1	3	5	3	5	7	3	5	7	100	-	6-37261-01-0-1
		with hinge-side 606, for A=1.5	1	3	5	3	5	7	3	5	7	100	-	6-37261-02-0-1
		with hinge-side CC606, for A=2.0	1	4	6	3	6	8	3	6	8	100	-	6-37261-01-0-1
		with hinge-side CC606, for A=1.5	1	4	6	3	6	8	3	6	8	100	-	6-37261-02-0-1
59	T&T striker	for A=2.0	1	1	1	1	1	1	1	1	1	100	-	6-37272-01-0-1
		for A=1.5	1	1	1	1	1	1	1	1	1	1	100	-
80	DIRIGENT-F turn handle	1	1	1	1	1	1	1	1	1	1	10	-	6-28072-25-0-11
85	Countersunk screw M5x30	2	2	2	2	2	2	2	2	2	2	100	-	9-13255-30-0-1

### Alternative to item 10 and 22 with Item 26

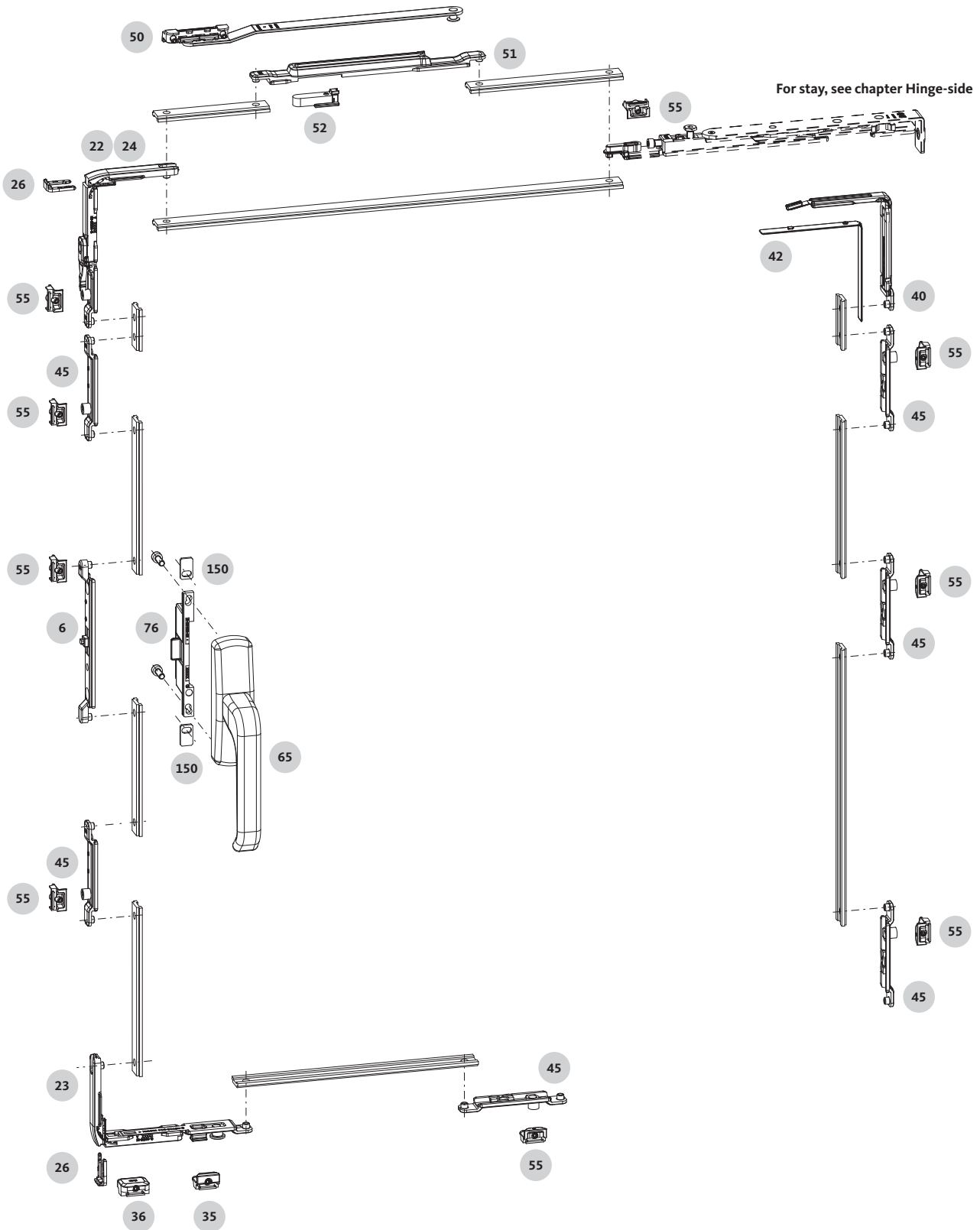
11	Insertable gear with M.D.	1	1	1	1	1	1	1	1	1	1	10	-	6-39384-06-0-1
	<b>Corner-drive without M.D.</b>	<b>1</b>	<b>1</b>	<b>1</b>	<b>1</b>	<b>1</b>	<b>1</b>	<b>1</b>	<b>1</b>	<b>1</b>	<b>1</b>	<b>50</b>	-	<b>K-19774-06-0-1</b>
24	Corner-drive without M.D.	1	1	1	1	1	1	1	1	1	1	-	1	6-37264-06-0-1
26	Clamping bracket	1	1	1	1	1	1	1	1	1	1	-	1	9-48157-00-0-1

\* only with deep groove with groove width 13.6-15 and groove depth 5.5-7



# Standard hardware set overviews

## Tilt-First window with geared turn handle



# Standard hardware set overviews

## Tilt-First window with geared turn handle



Item	Description	Piece(s)									PU	Qty. in K-set	Order number
		SW 410-1200			SW 1201-1350			SW 1351-1700					
		SH 500-1200	SH 1201-2200	SH 2201-2800	SH 860-1200	SH 1201-2200	SH 2201-2800	SH 960-1200	SH 1201-2200	SH 2201-2800			

<b>TF set, central locking system for GTH</b>		1	1	1	1	1	1	1	1	1	1	-	<b>K-19507-00-0-1</b>
6	Connector	1	1	1	1	1	1	1	1	1	1	1	6-30984-06-0-1
22	Corner-drive with M.D.	1	1	1	1	1	1	1	1	1	1	1	6-37120-06-0-1
23	Tilt corner-drive TF	1	1	1	1	1	1	1	1	1	1	1	6-38687-06-0-1
26	Clamping bracket	1	1	1	1	1	1	1	1	1	1	2	9-48157-00-0-1
35	Tilt-First striker	1	1	1	1	1	1	1	1	1	1	1	6-38686-00-0-1
36	Run-up block tilt corner-drive TF	1	1	1	1	1	1	1	1	1	1	1	6-38696-00-0-1

<b>Centre-lock set</b>		-	1	1	-	1	1	-	1	1	1	-	<b>K-19528-00-0-1</b>
40	Corner-drive CL	-	1	1	-	1	1	-	1	1	-	1	6-37266-06-0-1
45	Connector with cam	-	1	1	-	1	1	-	1	1	-	1	6-39396-06-0-1

42	Packer for corner-drive CL *	-	1	1	-	1	1	-	1	1	100	-	9-48466-00-0-1	
45	Connector with cam	with hinge-side 606	-	-	3	1	1	4	1	1	4	100	-	6-39396-06-0-1
		with hinge-side CC606	-	1	4	1	2	5	1	2	5	100	-	

<b>Set of additional TF stays</b>		-	-	-	-	-	-	1	1	1	10	-	<b>K-19510-00-0-1</b>	
50	Stay-arm, additional stay	-	-	-	-	-	-	1	1	1	-	1	6-37840-00-0-1	
51	Stay-guide, additional TF stay	-	-	-	-	-	-	1	1	1	-	1	6-39391-16-0-1	
52	Opening restrictor	only with hinge-side 606	-	-	-	-	-	-	1	1	1	-	1	6-38803-00-0-1

55	Striker	with hinge-side 606, for A=2.0	1	3	5	3	5	7	3	5	7	100	-	6-37261-01-0-1
		with hinge-side 606, for A=1.5	1	3	5	3	5	7	3	5	7	100	-	6-37261-02-0-1
		with hinge-side CC606, for A=2.0	1	4	6	3	6	8	3	6	8	100	-	6-37261-01-0-1
		with hinge-side CC606, for A=1.5	1	4	6	3	6	8	3	6	8	100	-	6-37261-02-0-1
65	SPACIO geared turn handle	HP 96/104	1	1	1	1	1	1	1	1	1	10	-	G-46551-96-0-1
		HP 84/98	1	1	1	1	1	1	1	1	1	1	10	-

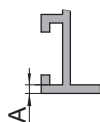
### Alternative to item 22 and 26

76	Mishandling device	HP 96/104	1	1	1	1	1	1	1	1	1	10	-	6-31065-40-0-1
		HP 84/98	1	1	1	1	1	1	1	1	1	1	10	-
<b>Corner-drive without M.D.</b>			<b>1</b>	<b>1</b>	<b>1</b>	<b>1</b>	<b>1</b>	<b>1</b>	<b>1</b>	<b>1</b>	<b>1</b>	<b>50</b>	-	<b>K-19774-06-0-1</b>
24	Corner-drive without M.D.		1	1	1	1	1	1	1	1	1	-	1	6-37264-06-0-1
26	Clamping bracket		1	1	1	1	1	1	1	1	1	-	1	9-48157-00-0-1

### Accessories

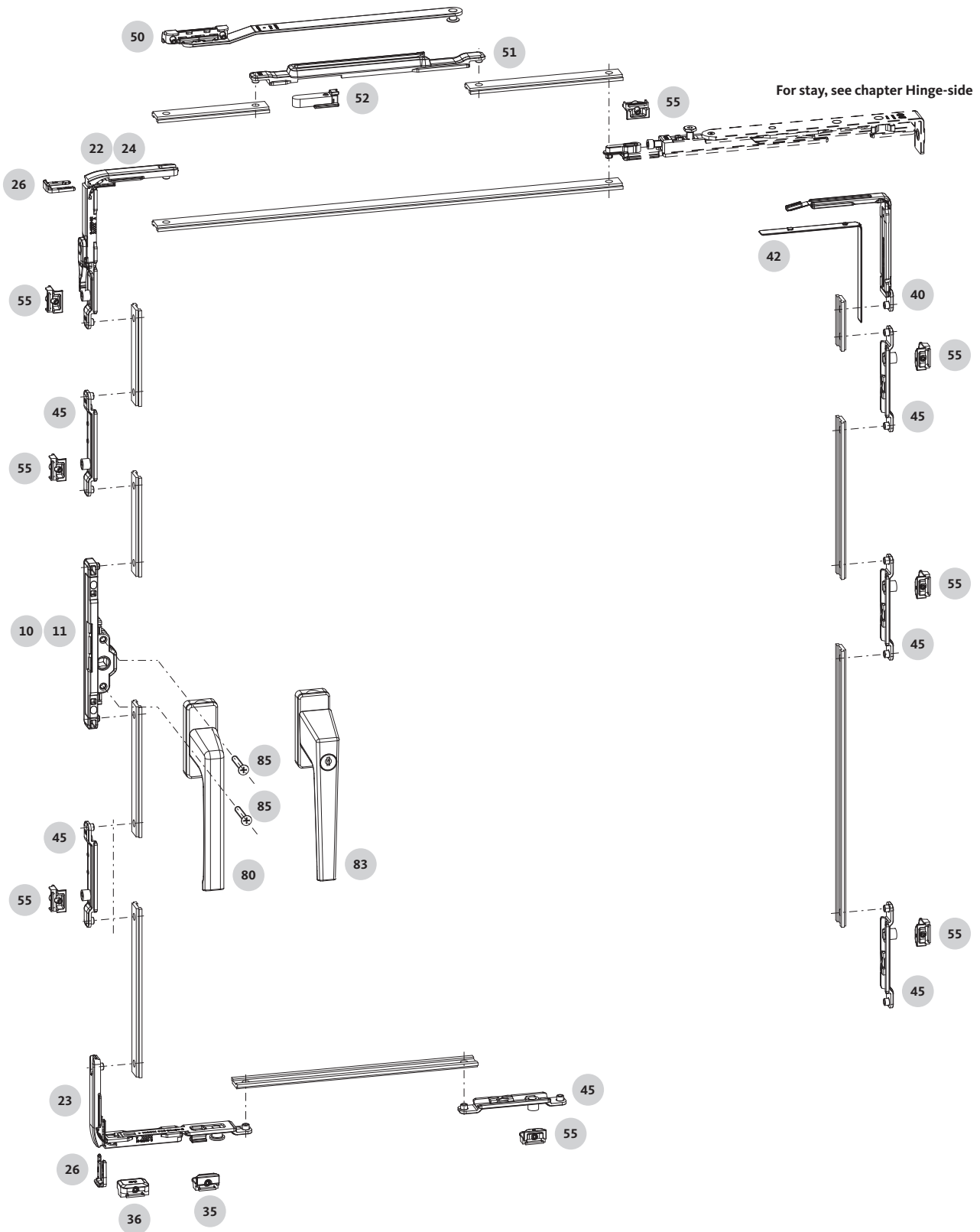
150	Packer plate for geared turn handle	for reinforcement of sash overlap	2	2	2	2	2	2	2	2	2	100	-	9-50091-00-0-8
-----	-------------------------------------	-----------------------------------	---	---	---	---	---	---	---	---	---	-----	---	----------------

\* only with deep groove with groove width 13.6-15 and groove depth 5.5-7



# Standard hardware set overviews

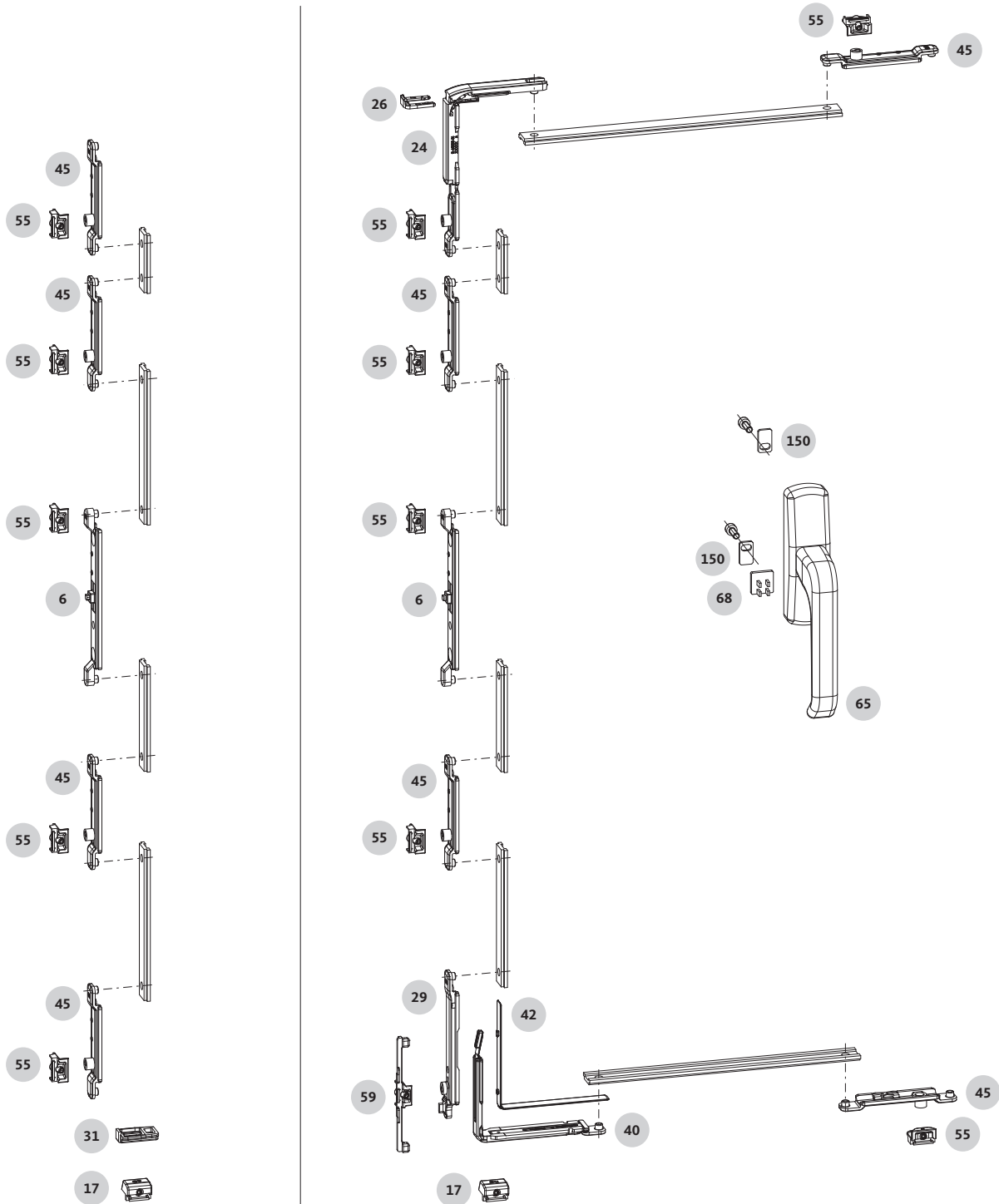
## Tilt-First window with insertable gear





# Standard hardware set overviews

Turn-Only window with standard central locking system and geared turn handle



# Standard hardware set overviews

## Turn-Only window with standard central locking system and geared turn handle



Item	Description	Piece(s)						PU	Qty. in K-set	Order number
		SW 200-1200			SW 1201-1700					
		SH 410-1200	SH 1201-2200	SH 2201-2800	SH 860-1200	SH 1201-2200	SH 2201-2800			

TU-ON set for GTH		1	1	1	1	1	1	1	-	K-19529-00-0-1
6	Connector	1	1	1	1	1	1	-	1	6-30984-06-0-1
17	Run-up block, sash part	1	1	1	-	-	-	-	1	9-40404-00-0-1
31	Run-up block, frame	1	1	1	1	1	1	-	1	6-30998-00-0-1
45	Connector with cam	2	2	2	2	2	2	-	2	6-39396-06-0-1

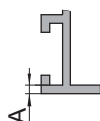
Corner-drive without M.D.		-	-	-	1	1	1	50	-	K-19774-06-0-1
24	Corner-drive without M.D.	-	-	-	1	1	1	-	1	6-37264-06-0-1
26	Clamping bracket	-	-	-	1	1	1	-	1	9-48157-00-0-1

29	T&T tilter	-	-	-	1	1	1	50	-	6-37258-06-0-1	
40	Corner-drive CL	-	-	-	1	1	1	50	-	6-37266-06-0-1	
42	Packer for corner-drive CL *	-	-	-	1	1	1	100	-	9-48466-00-0-1	
45	Connector with cam	-	-	2	-	-	2	100	-	6-39396-06-0-1	
55	Striker	for A=2.0	2	3	4	3	4	5	100	-	6-37261-01-0-1
		for A=1.5	2	3	4	3	4	5	100	-	6-37261-02-0-1
59	T&T striker	for A=2.0	-	-	-	1	1	1	100	-	6-37272-01-0-1
		for A=1.5	-	-	-	1	1	1	100	-	6-37272-02-0-1
65	SPACIO geared turn handle	HP 96/104	1	1	1	1	1	1	10	-	G-46551-96-0-1
		HP 84/98	1	1	1	1	1	1	1	10	-

### Accessories

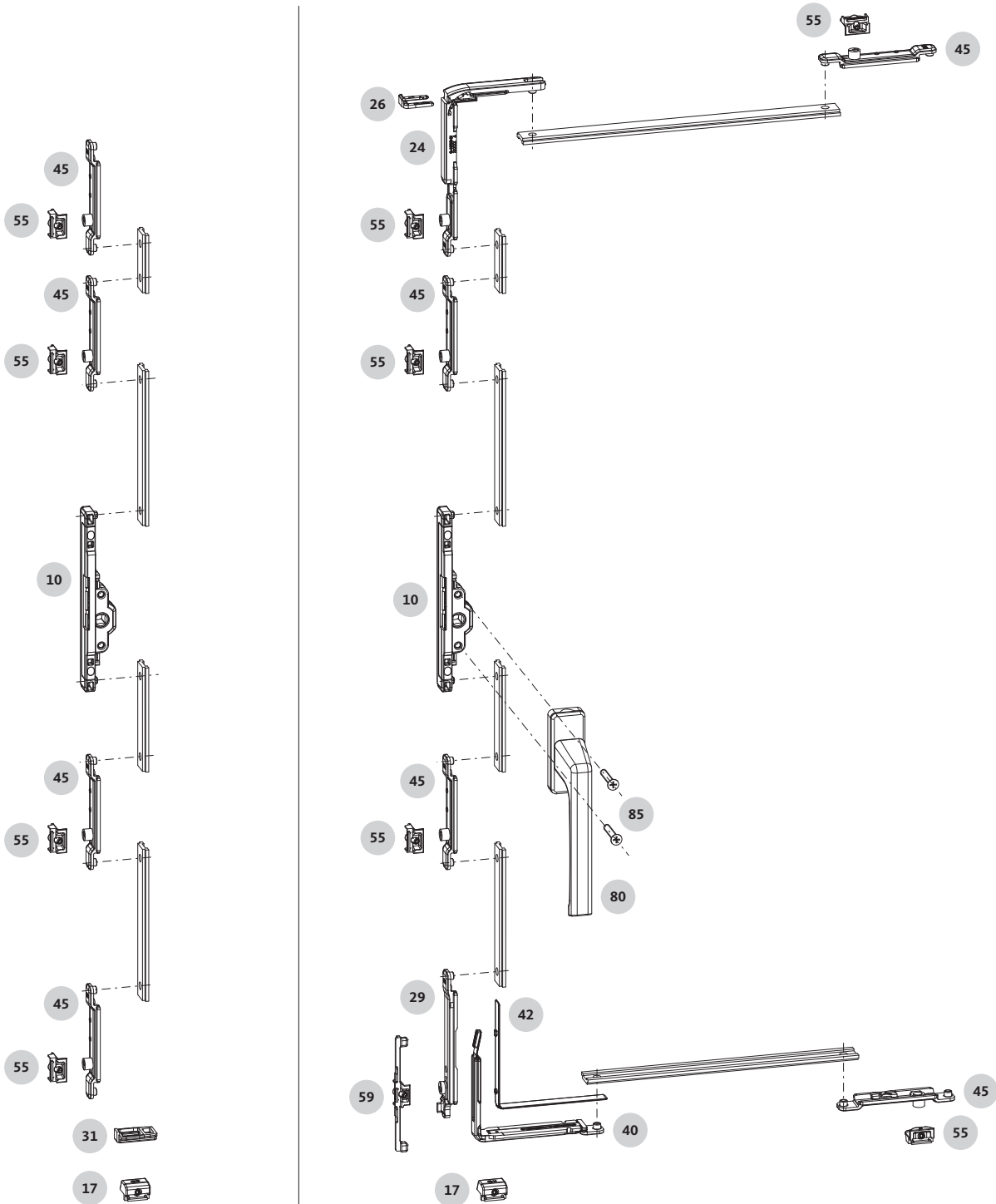
68	SPACIO 90° turn restrictor	1	1	1	1	1	1	10	-	9-34612-00-0-6	
150	Packer plate for geared turn handle	for reinforcement of sash overlap		2	2	2	2	2	100	-	9-50091-00-0-8

\* only with deep groove with groove width 13.6-15 and groove depth 5.5-7



# Standard hardware set overviews

Turn-Only window with standard central locking system and insertable gear





# Standard hardware set overviews

## Turn-Only window with standard central locking system and insertable gear



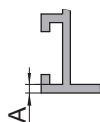
Item	Description	Piece(s)						PU	Qty. in K-set	Order number
		SW 200-1200			SW 1201-1700					
		SH 410-1200	SH 1201-2200	SH 2201-2800	SH 860-1200	SH 1201-2200	SH 2201-2800			

<b>TU-ON set with insertable gear</b>		1	1	1	1	1	1	1	-	<b>K-19530-00-0-1</b>
10	Insertable gear w/o M.D.	1	1	1	1	1	1	-	1	6-39385-06-0-1
17	Run-up block, sash part	1	1	1	-	-	-	-	1	9-40404-00-0-1
31	Run-up block, frame	1	1	1	1	1	1	-	1	6-30998-00-0-1
45	Connector with cam	2	2	2	2	2	2	-	2	6-39396-06-0-1

<b>Corner-drive without M.D.</b>		-	-	-	1	1	1	50	-	<b>K-19774-06-0-1</b>
24	Corner-drive without M.D.	-	-	-	1	1	1	-	1	6-37264-06-0-1
26	Clamping bracket	-	-	-	1	1	1	-	1	9-48157-00-0-1

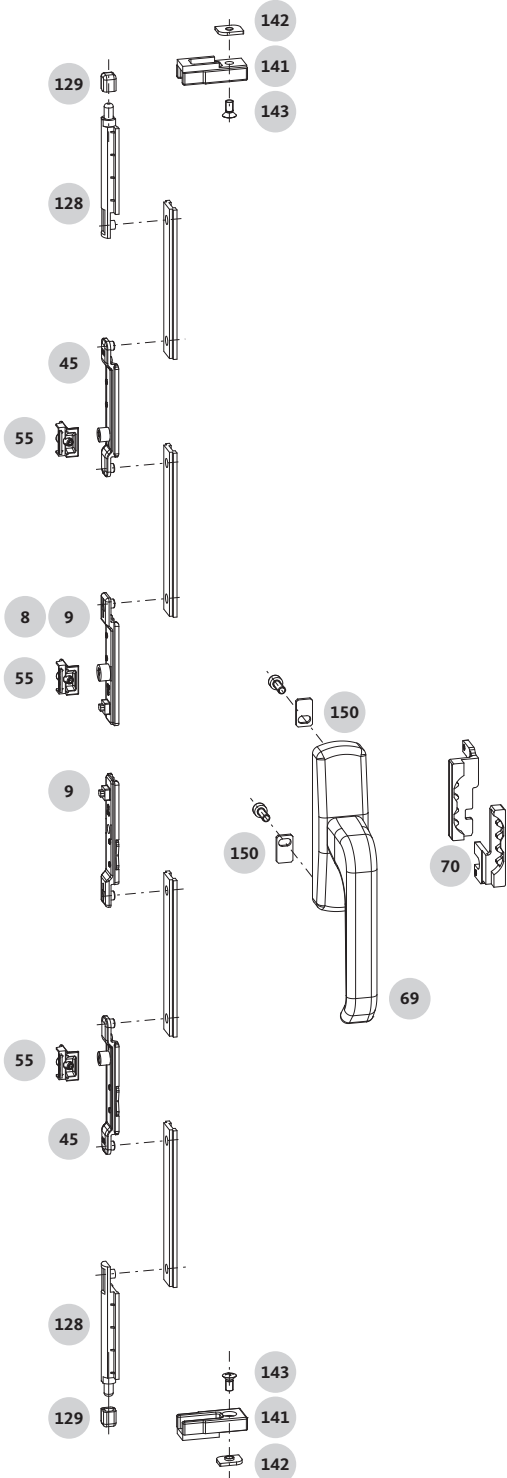
29	T&T tilter	-	-	-	1	1	1	50	-	6-37258-06-0-1	
40	Corner-drive CL	-	-	-	1	1	1	50	-	6-37266-06-0-1	
42	Packer for corner-drive CL *	-	-	-	1	1	1	100	-	9-48466-00-0-1	
45	Connector with cam	-	1	2	-	1	2	100	-	6-39396-06-0-1	
55	Striker	for A=2.0	2	3	4	3	4	5	100	-	6-37261-01-0-1
		for A=1.5	2	3	4	3	4	5	100	-	6-37261-02-0-1
59	T&T striker	for A=2.0	-	-	-	1	1	1	100	-	6-37272-01-0-1
		for A=1.5	-	-	-	1	1	1	100	-	6-37272-02-0-1
80	DIRIGENT-F turn handle	1	1	1	1	1	1	10	-	6-28072-25-0-6	
85	Countersunk screw M5x30	2	2	2	2	2	2	100	-	9-13255-30-0-1	

\* only with deep groove with groove width 13.6-15 and groove depth 5.5-7



# Standard hardware set overviews

Turn-Only window with shoot-bolt and SPACIO geared turn handle  
(only frame groove 14/18)



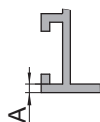
# Standard hardware set overviews



## Turn-Only window with shoot-bolt and SPACIO geared turn handle (only frame groove 14/18)

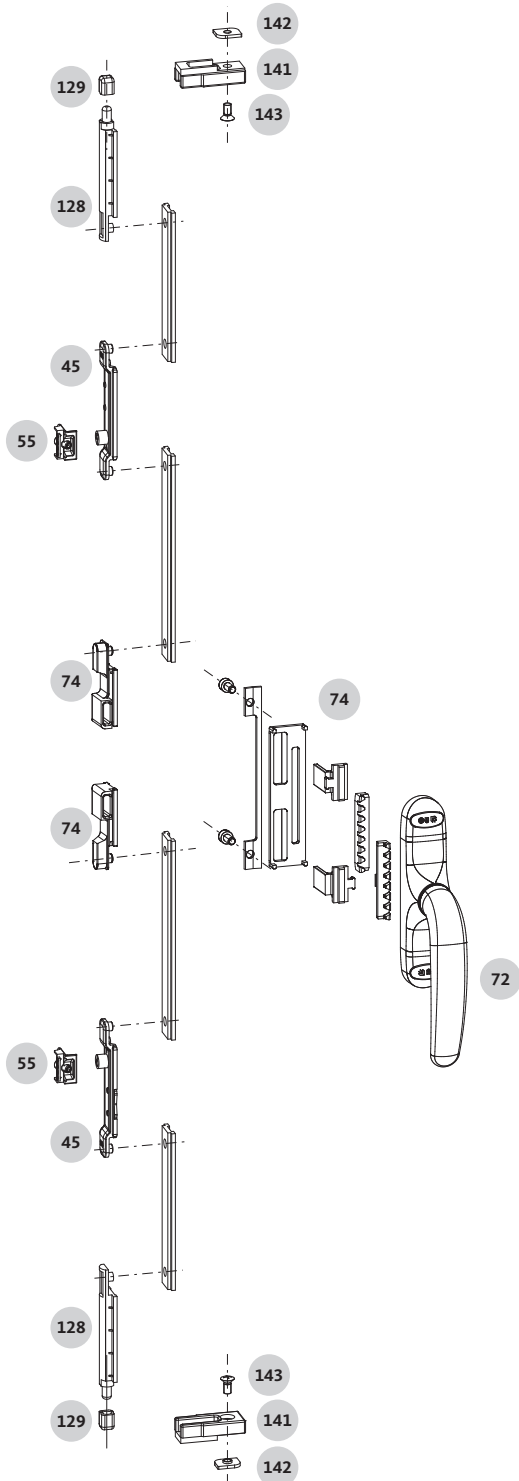


Item	Description	Piece(s)			PU	Qty. in K-set	Order number	
		SH 370-1200	SH 1201-2200	SH 2201-2800				
		SW 200-1200						
8	Connector with locking cam	-	1	-	1	-	G-16583-00-0-1	
9	Connector without locking cam	2	1	2	1	-	G-17527-00-0-1	
69	SPACIO expansion gear handle DIN R	HP 96/104	1	1	1	10	-	G-46552-96-R-1
		HP 98	1	1	1	10	-	G-46552-00-R-1
70	SPACIO conversion set for expansion gear DIN L	(only with DIN left)	1	1	1	10	-	G-46550-00-L-1
45	Connector with cam	-	-	2	100	-	6-39396-06-0-1	
55	Striker	for A=2.0	-	1	2	100	-	6-37261-01-0-1
		for A=1.5	-	1	2	100	-	6-37261-02-0-1
	<b>TU-ON + ST-DCN connecting-rod shoot-bolt set</b>	<b>2</b>	<b>2</b>	<b>2</b>	<b>10</b>	<b>-</b>	<b>K-15817-00-0-1</b>	
128	Connecting-rod shoot-bolt	2	2	2	-	1	6-31727-00-0-1	
129	CR shoot-bolt eccentric cap	2	2	2	-	1	9-41515-00-0-1	
	<b>TU-ON connecting-rod shoot-bolt striker set 14/18</b>	<b>2</b>	<b>2</b>	<b>2</b>	<b>10</b>	<b>-</b>	<b>K-15819-00-0-1</b>	
141	CR shoot-bolt striker 14/18	2	2	2	-	1	9-41516-00-0-1	
142	Clamping piece 14/18	2	2	2	-	1	9-41517-00-0-1	
143	Raised countersunk-head screw M5x10	2	2	2	-	1	9-13369-10-R-1	
<b>Accessories</b>								
150	Packer plate for geared turn handle	for reinforcement of sash overlap	2	2	2	100	-	9-50091-00-0-8



# Standard hardware set overviews

Turn-Only window with shoot-bolt and ADAGIO-A geared turn handle  
(only frame groove 14/18)

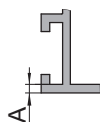


## Standard hardware set overviews

Turn-Only window with shoot-bolt and ADAGIO-A geared turn handle  
(only frame groove 14/18)

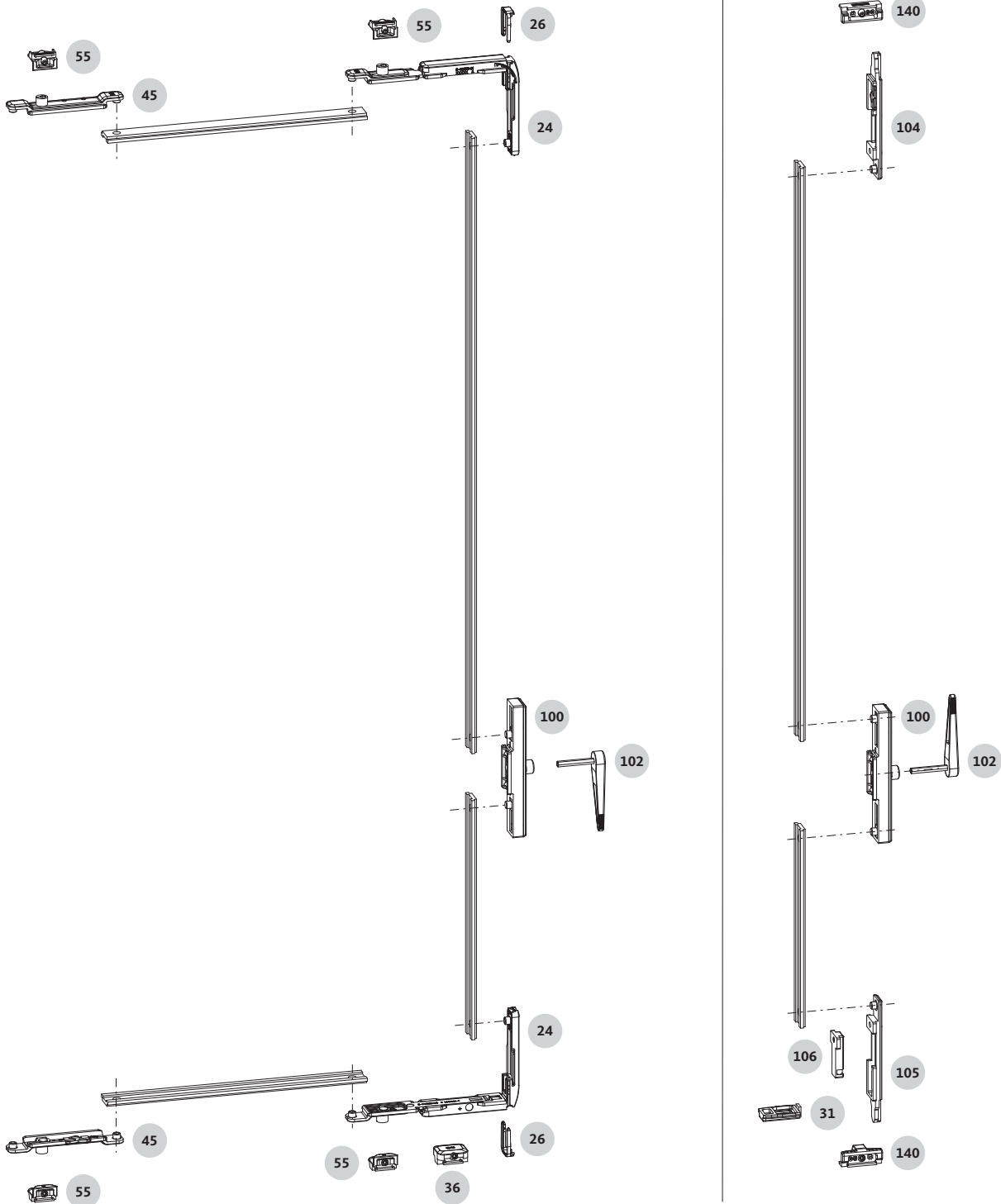


Item	Description	Piece(s)			PU	Qty. in K-set	Order number	
		SH 420-1200	SH 1201-2200	SH 2201-2800				
		SW 200-1200						
72	ADAGIO-A geared turn handle	HP 104	1	1	1	10	-	6-31723-00-0-0
74	ADAGIO-A carrier fork set for expansion gear		1	1	1	10	-	K-15815-00-0-1
45	Connector with cam		-	1	2	100	-	6-39396-06-0-1
55	Striker	for A=2.0	-	1	2	100	-	6-37261-01-0-1
		for A=1.5	-	1	2	100	-	6-37261-02-0-1
	<b>TU-ON + ST-DCN connecting-rod shoot-bolt set</b>		2	2	2	10	-	K-15817-00-0-1
128	Connecting-rod shoot-bolt		2	2	2	-	1	6-31727-00-0-1
129	CR shoot-bolt eccentric cap		2	2	2	-	1	9-41515-00-0-1
	<b>TU-ON connecting-rod shoot-bolt striker set 14/18</b>		2	2	2	10	-	K-15819-00-0-1
141	CR shoot-bolt striker 14/18		2	2	2	-	1	9-41516-00-0-1
142	Clamping piece 14/18		2	2	2	-	1	9-41517-00-0-1
143	Raised countersunk-head screw M5x10		2	2	2	-	1	9-13369-10-R-1



# Standard hardware set overviews

Dummy-mullion sash with central locking system in the sash groove (ST-FLN)



# Standard hardware set overviews

## Dummy-mullion sash with central locking system in the sash groove (ST-FLN)

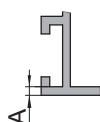


Item	Description	Piece(s)		PU	Qty. in K-set	Order number
		SW2 200- 1200	SW2 1201- 1700			
		SH 640- 2800	SH 640- 2800			

	<b>Corner-drive without M.D.</b>	-	2	50	-	<b>K-19774-06-0-1</b>
24	Corner-drive without M.D.	-	2	-	1	6-37264-06-0-1
26	Clamping bracket	-	2	-	1	9-48157-00-0-1

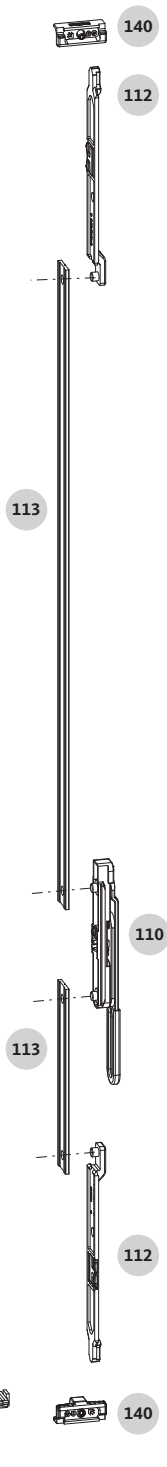
	<b>ST-FLN lever-operated gear set</b>	1	-	10	-	<b>K-19589-00-0-1</b>
31	Run-up block, sash part	1	-	-	1	9-40404-00-0-1
100	Lever-operated gear	1	1	-	1	6-24680-00-0-1
102	Hand lever	1	1	-	1	6-23903-38-0-1
104	Top connecting-rod shoot-bolt	1	-	-	1	G-17509-00-0-1
105	Bottom connecting-rod shoot-bolt	1	-	-	1	E-12832-00-0-1
106	Bottom keeper	1	-	-	1	G-12096-00-0-1
-	Adapter ring Ø6 to Ø10	-	-	-	5	9-48454-00-0-6

36	Run-up block tilt corner-drive TF	-	1	10	-	6-38696-00-0-1
45	Connector with cam	-	2	100	-	6-39396-06-0-1
55	Striker	for A=2.0	-	4	100	6-37261-01-0-1
		for A=1.5	-	4	100	6-37261-02-0-1
140	CR shoot-bolt striker		2	-	100	6-30961-00-0-1
		+ 1.5 mm gasket pressure	2	-	100	G-19658-02-0-1



# Standard hardware set overviews

Dummy-mullion sash with central locking system  
with lever-operated gear in the double C groove (ST-DCN)





## Standard hardware set overviews

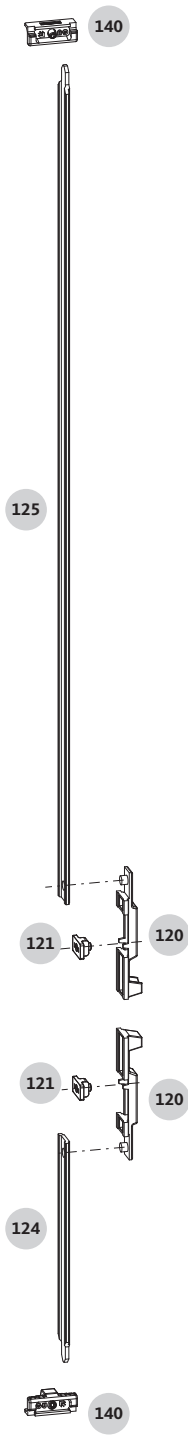
Dummy-mullion sash with central locking system  
with lever-operated gear in the double C groove (ST-DCN)



Item	Description	Piece(s)		PU	Qty. in K-set	Order number	
		SH min.-1900	SH 1901-2400				
		SW2 200-1200					
	<b>ST-DCN lever-operated gear set</b>	<b>1</b>	<b>1</b>	<b>10</b>	<b>-</b>	<b>K-19590-00-0-1</b>	
110	Lever-operated gear	1	1	-	1	6-37102-00-0-1	
112	Connecting-rod shoot-bolt	2	2	-	2	6-31038-00-0-1	
-	Adapter ring Ø6 to Ø10	-	-	-	5	9-48454-00-0-6	
113	Connecting rod profile 15/20 ST-DCN	1	2	10	-	9-40859-16-0-1	
		2	2	100	-	G-19658-02-0-1	
140	CR shoot-bolt striker	- 1.5 mm gasket pressure	2	2	100	-	6-30961-00-0-1
		+ 1.5 mm gasket pressure	2	2	100	-	G-19658-03-0-1
<b>Accessories</b>							
31	Run-up block, sash part	1	1	10	-	9-40404-00-0-1	
37	Run-up block, frame	1	1	10	-	6-30998-00-0-1	

# Standard hardware set overviews

Dummy-mullion sash with central locking system with shoot-bolts in the double C groove (ST-DCN)



## Standard hardware set overviews

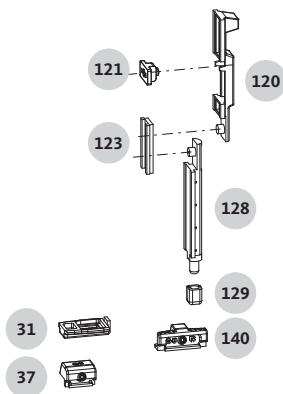
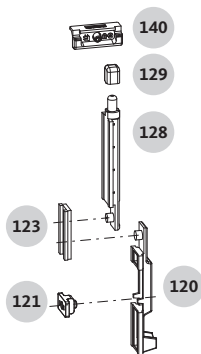
### Dummy-mullion sash with central locking system with shoot-bolts in the double C groove (ST-DCN)



Item	Description	Piece(s)	PU	Qty. in K-set	Order number	
		SW2 200– 1200				
		SH min.– 2400				
	<b>ST-DCN set of sliders</b>	<b>2</b>	<b>10</b>	–	<b>K-15816-00-0-1</b>	
120	Slider	2	–	1	9-41514-00-0-1	
121	Stop for slider	2	–	1	6-31726-00-0-1	
–	Connecting rod	–	–	1	9-41529-00-0-1	
	<b>ST-DCN locking rod set</b>	<b>1</b>	<b>10</b>	–	<b>K-15818-00-0-1</b>	
124	Locking rod 125 mm	1	–	1	9-41479-12-0-1	
125	Locking rod 400 mm	1	–	1	9-41479-40-0-1	
		2	100	–	G-19658-02-0-1	
140	CR shoot-bolt striker	– 1.5 mm gasket pressure	2	100	–	6-30961-00-0-1
		+ 1.5 mm gasket pressure	2	100	–	G-19658-03-0-1
<b>Accessories</b>						
31	Run-up block, sash part	1	10	–	9-40404-00-0-1	
37	Run-up block, frame	1	10	–	6-30998-00-0-1	

# Standard hardware set overviews

Dummy-mullion sash with central locking system with shoot-bolts in the double C groove (ST-DCN)



## Standard hardware set overviews

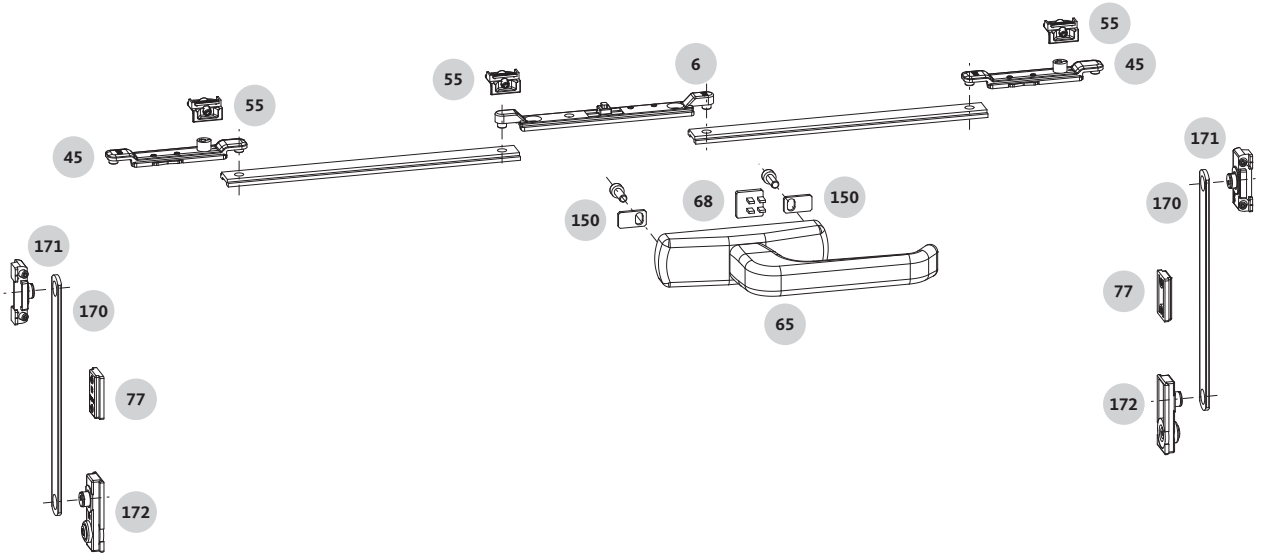
### Dummy-mullion sash with central locking system with shoot-bolts in the double C groove (ST-DCN)



Item	Description	Piece(s)	PU	Qty. in K-set	Order number	
		SW2 200– 1200				
		SH min.– 2400				
	<b>ST-DCN set of sliders</b>	<b>2</b>	<b>10</b>	<b>–</b>	<b>K-15816-00-0-1</b>	
120	Slider	2	–	1	9-41514-00-0-1	
121	Stop for slider	2	–	1	6-31726-00-0-1	
123	Connecting rod	2	–	1	9-41529-00-0-1	
	<b>TU-ON + ST-DCN connecting-rod shoot-bolt set</b>	<b>2</b>	<b>10</b>	<b>–</b>	<b>K-15817-00-0-1</b>	
128	Connecting-rod shoot-bolt	2	–	1	6-31727-00-0-1	
129	CR shoot-bolt eccentric cap	2	–	1	9-41515-00-0-1	
		2	100	–	G-19658-02-0-1	
140	CR shoot-bolt striker	– 1.5 mm gasket pressure	2	100	–	6-30961-00-0-1
		+ 1.5 mm gasket pressure	2	100	–	G-19658-03-0-1
<b>Accessories</b>						
31	Run-up block, sash part	1	10	–	9-40404-00-0-1	
37	Run-up block, frame	1	10	–	6-30998-00-0-1	

# Standard hardware set overviews

Tilt-Only window with geared turn handle

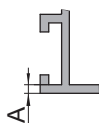


# Standard hardware set overviews

## Tilt-Only window with geared turn handle

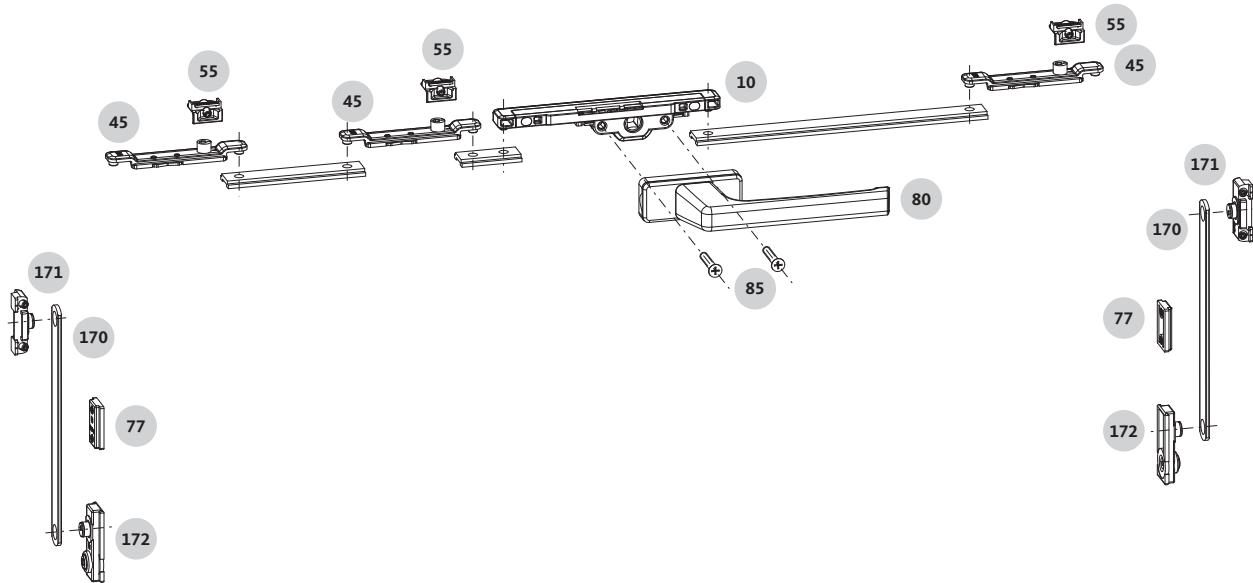


Item	Description	Piece(s)								PU	Qty. in K-set	Order number			
		with axial hinges or Tilt-Only hinges S800				with hinge-side CC606									
		SW 400-1200		SW 1201-2400		SW 400-1200		SW 1201-2400							
SH 240-400	SH 401-1200	SH 240-400	SH 401-1200	SH 440-550	SH 551-1200	SH 440-550	SH 551-1200								
6	Connector	1	1	1	1	1	1	1	1	1	-	6-30984-06-0-1			
45	Connector with cam	2	2	2	2	2	2	2	2	100	-	6-39396-06-0-1			
55	Striker	for A=2.0		2	2	3	3	2	2	3	3	100	-	6-37261-01-0-1	
		for A=1.5		2	2	3	3	2	2	3	3	100	-	6-37261-02-0-1	
65	SPACIO geared turn handle	HP 96/104		1	1	1	1	1	1	1	1	10	-	G-46551-96-0-1	
		HP 84/98		1	1	1	1	1	1	1	1	10	-	G-46551-00-0-1	
	<b>Limiting stay set with brake</b>	<b>L=150</b>		<b>2</b>	<b>-</b>	<b>2</b>	<b>-</b>	<b>2</b>	<b>-</b>	<b>2</b>	<b>-</b>	<b>10</b>	<b>-</b>	<b>K-17138-15-0-1</b>	
77	Stop (90° turn restrictor)	2	-	2	-	2	-	2	-	2	-	1	-	G-12943-00-0-1	
170	Limiting stay arm	L=150		2	-	2	-	2	-	2	-	1	-	9-43127-15-0-8	
171	Limiting stay, frame part	2	-	2	-	2	-	2	-	2	-	1	-	6-33596-00-0-1	
172	Limiting stay, sash part	2	-	2	-	2	-	2	-	2	-	1	-	6-33549-00-0-1	
	<b>Limiting stay set with brake</b>	<b>L=250</b>		<b>-</b>	<b>2</b>	<b>-</b>	<b>2</b>	<b>-</b>	<b>2</b>	<b>-</b>	<b>2</b>	<b>10</b>	<b>-</b>	<b>K-17138-25-0-1</b>	
77	Stop (90° turn restrictor)	-	2	-	2	-	2	-	2	-	2	-	1	-	G-12943-00-0-1
170	Limiting stay arm	L=250		-	2	-	2	-	2	-	2	-	1	-	9-43127-25-0-8
171	Limiting stay, frame part	-	2	-	2	-	2	-	2	-	2	-	1	-	6-33596-00-0-1
172	Limiting stay, sash part	-	2	-	2	-	2	-	2	-	2	-	1	-	6-33549-00-0-1
<b>Accessories</b>															
68	SPACIO 90° turn restrictor	1	1	1	1	1	1	1	1	1	10	-	-	9-34612-00-0-6	
150	Packer plate for geared turn handle	for reinforcement of sash overlap		2	2	2	2	2	2	2	2	100	-	9-50091-00-0-8	



# Standard hardware set overviews

Tilt-Only window with insertable gear





# Standard hardware set overviews

## Tilt-Only window with insertable gear



Item	Description	Piece(s)								PU	Qty. in K-set	Order number
		with axial hinges or Tilt-Only hinges S800				with hinge-side CC606						
		SW 400-1200		SW 1201-2400		SW 400-1200		SW 1201-2400				
SH 240-400	SH 401-1200	SH 240-400	SH 401-1200	SH 440-550	SH 551-1200	SH 440-550	SH 551-1200					

10	Insertable gear w/o M.D.	1	1	1	1	1	1	1	1	10	-	6-39385-06-0-1		
45	Connector with cam	2	2	3	3	2	2	3	3	100	-	6-39396-06-0-1		
55	Striker	for A=2.0		2	2	3	3	2	2	3	3	100	-	6-37261-01-0-1
		for A=1.5		2	2	3	3	2	2	3	3	100	-	6-37261-02-0-1
80	DIRIGENT-F turn handle	1	1	1	1	1	1	1	1	10	-	6-28072-25-0-11		
85	Countersunk screw M5x30	2	2	2	2	2	2	2	2	100	-	9-13255-30-0-1		

	<b>Limiting stay set with brake</b>	<b>L=150</b>	2	-	2	-	2	-	2	-	10	-	<b>K-17138-15-0-1</b>
77	Stop (90° turn restrictor)		2	-	2	-	2	-	2	-	1		G-12943-00-0-1
170	Limiting stay arm	L=150	2	-	2	-	2	-	2	-	1		9-43127-15-0-8
171	Limiting stay, frame part		2	-	2	-	2	-	2	-	1		6-33596-00-0-1
172	Limiting stay, sash part		2	-	2	-	2	-	2	-	1		6-33549-00-0-1
	<b>Limiting stay set with brake</b>	<b>L=250</b>	-	2	-	2	-	2	-	2	10	-	<b>K-17138-25-0-1</b>
77	Stop (90° turn restrictor)		-	2	-	2	-	2	-	2	1		G-12943-00-0-1
170	Limiting stay arm	L=250	-	2	-	2	-	2	-	2	1		9-43127-25-0-8
171	Limiting stay, frame part		-	2	-	2	-	2	-	2	1		6-33596-00-0-1
172	Limiting stay, sash part		-	2	-	2	-	2	-	2	1		6-33549-00-0-1

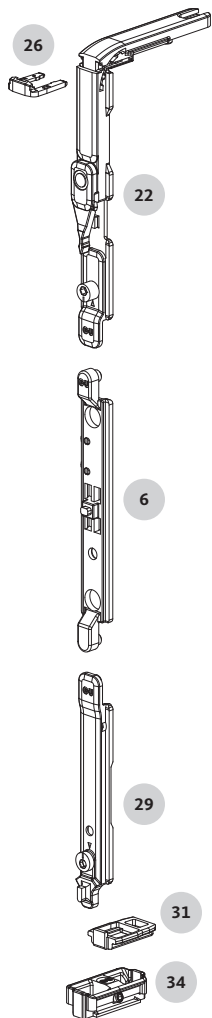
### Accessories

77	Stop (90° turn restrictor)	1	1	1	1	1	1	1	1	1	-	1	G-12943-00-0-1
----	----------------------------	---	---	---	---	---	---	---	---	---	---	---	----------------



# Individual components

## Central locking system set



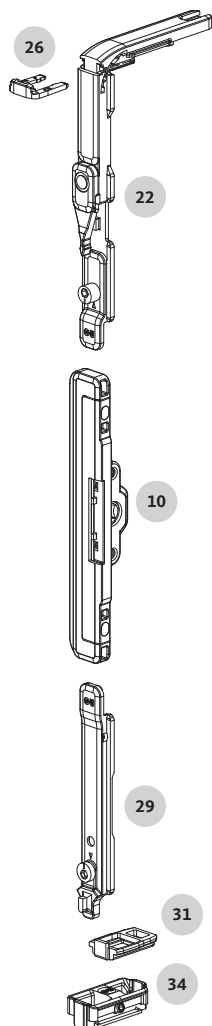
### T&T set, central locking system for GTH

Technical data	
Opening method	Tilt&Turn window
DIN side of hinges	left   right
Frame groove [mm]	10/14   12/15   14/18
Finish	ferGUard*silver
Installation tool	hexagon socket size 2.5
Adjusting tool	hexagon socket size 4

	PU	Order number
	1	K-19505-00-0-1

# Individual components

## Central locking system set



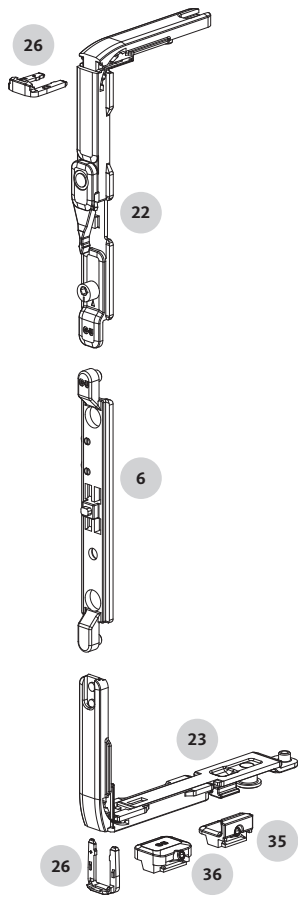
### T&T set, central locking system with IG

Technical data	
Opening method	Tilt&Turn window
DIN side of hinges	left   right
Frame groove [mm]	10/14   12/15   14/18
Finish	ferGUard*silver
Installation tool	hexagon socket size 2.5
Adjusting tool	hexagon socket size 4

	PU	Order number
	1	K-19506-00-0-1

# Individual components

## Central locking system set



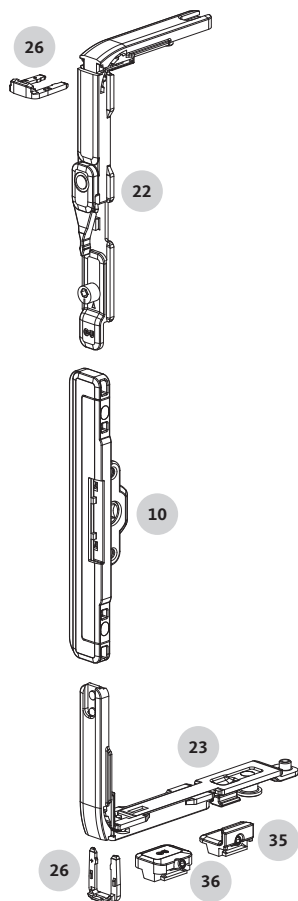
### TF set, central locking system for GTH

Technical data	
Opening method	Tilt-First window
DIN side of hinges	left   right
Frame groove [mm]	10/14   12/15   14/18
Finish	ferGUard*silver
Installation tool	hexagon socket size 2.5
Adjusting tool	hexagon socket size 4

	PU	Order number
	1	K-19507-00-0-1

# Individual components

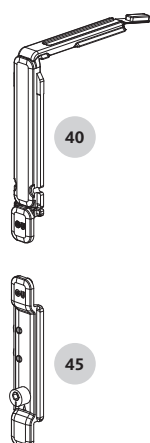
## Central locking system set



### TF set, central locking system with IG

Technical data	
Opening method	Tilt-First window
DIN side of hinges	left   right
Frame groove [mm]	10/14   12/15   14/18
Finish	ferGUard*silver
Installation tool	hexagon socket size 2.5
Adjusting tool	hexagon socket size 4

	PU	Order number
	1	K-19508-00-0-1



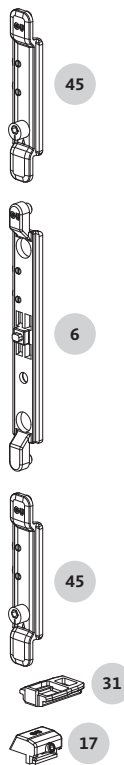
### Centre-lock set

Technical data	
Opening method	Tilt&Turn window   Tilt-First window   Turn-Only window
DIN side of hinges	left   right
Finish	ferGUard*silver
Installation tool	-
Adjusting tool	hexagon socket size 4

	PU	Order number
	1	K-19528-00-0-1

# Individual components

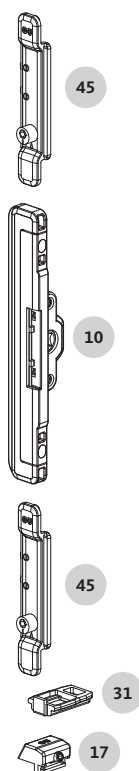
## Central locking system set



### TU-ON set for GTH

Technical data	
Opening method	Turn-Only window
DIN side of hinges	left   right
Frame groove [mm]	10/14   12/15   14/18
Finish	ferGUard*silver
Installation tool	hexagon socket size 2.5
Adjusting tool	hexagon socket size 4

	PU	Order number
	1	K-19529-00-0-1



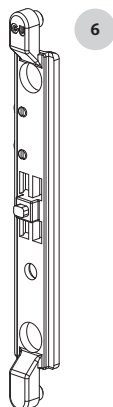
### TU-ON set with insertable gear

Technical data	
Opening method	Turn-Only window
DIN side of hinges	left   right
Frame groove [mm]	10/14   12/15   14/18
Finish	ferGUard*silver
Installation tool	hexagon socket size 2.5
Adjusting tool	hexagon socket size 4

	PU	Order number
	1	K-19530-00-0-1

# Individual components

## Connector for geared turn handle

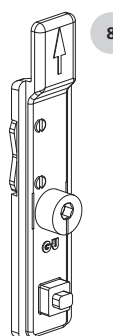


6

### Connector

Technical data	
Opening method	Tilt&Turn window   Tilt-First window   Turn-Only window   Tilt-Only window
DIN side of hinges	left   right
Finish	ferGUard*silver
Distance between engagement pins [mm]	140
Installation tool	-

	PU	Order number
	1	6-30984-06-0-1

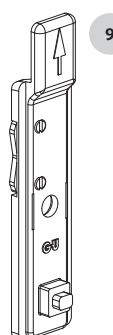


8

### Connector with locking cam

Technical data	
Version	for expansion gear handle
Opening method	Turn-Only window
DIN side of hinges	left   right
Finish	ferGUard*silver
Installation tool	-
Adjusting tool	hexagon socket size 4

	PU	Order number
	1	G-16583-00-0-1



9

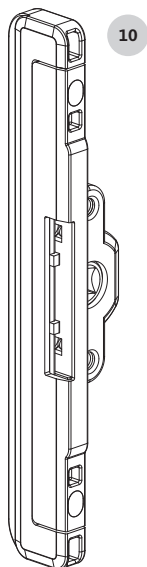
### Connector without locking cam

Technical data	
Version	for expansion gear handle
Opening method	Turn-Only window
DIN side of hinges	left   right
Finish	ferGUard*silver
Installation tool	-

	PU	Order number
	1	G-17527-00-0-1

# Individual components

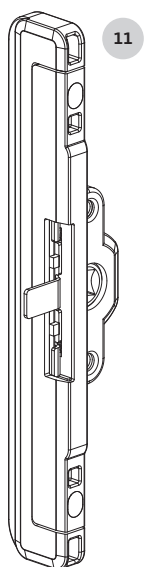
## Insertable gear / insertable lock



### Insertable gear w/o M.D.

Technical data	
Version	without mishandling device
Opening method	Tilt&Turn window   Tilt-First window   Turn-Only window   Tilt-Only window
DIN side of hinges	left   right
Finish	ferGUard*silver
Diameter of hole/engagement pin [mm]	6
Backset [mm]	23
Distance between engagement pins [mm]	140
Hole pattern, distance between fastening points [mm]	43

	PU	Order number
	10	6-39385-06-0-1



### Insertable gear with M.D.

Technical data	
Version	with mishandling device
Opening method	Tilt&Turn window   Tilt-First window   Turn-Only window   Tilt-Only window
DIN side of hinges	left   right
Finish	ferGUard*silver
Diameter of hole/engagement pin [mm]	6
Backset [mm]	23
Distance between engagement pins [mm]	140
Hole pattern, distance between fastening points [mm]	43

	PU	Order number
	10	6-39384-06-0-1

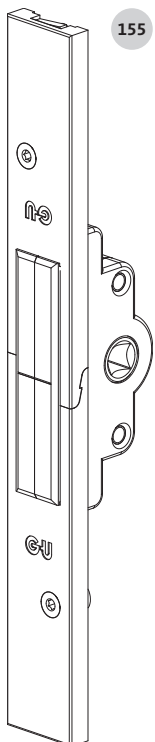


# Individual components

## Insertable gear / insertable lock



155

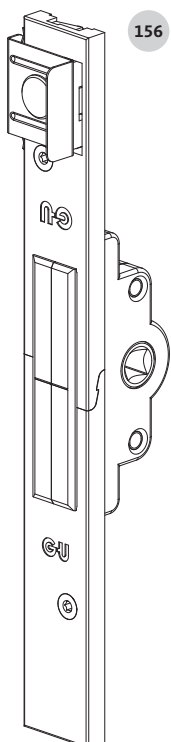


### Insertable gear w/o M.D.

Technical data	
Version	without mishandling device
Opening method	Tilt&Turn window   Tilt-First window   Turn-Only window   Tilt-Only window
DIN side of hinges	left   right
Finish	ferGUard*silver
Diameter of hole/engagement pin [mm]	6
Distance between engagement pins [mm]	190
Hole pattern, distance between fastening points [mm]	43

Backset [mm]	PU	Order number
36	10	6-25916-25-0-1
41	10	6-25916-30-0-1
46	10	6-25916-35-0-1
51	10	6-25916-40-0-1
56	10	6-25916-45-0-1
61	10	6-25916-50-0-1

156



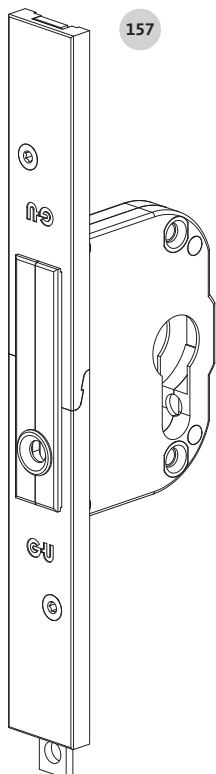
### Insertable gear with M.D.

Technical data	
Version	with mishandling device
Opening method	Tilt&Turn window   Tilt-First window
DIN side of hinges	left   right
Finish	ferGUard*silver
Diameter of hole/engagement pin [mm]	6
Distance between engagement pins [mm]	190
Hole pattern, distance between fastening points [mm]	43

Backset [mm]	PU	Order number
36	10	6-25917-25-0-1
41	10	6-25917-30-0-1
46	10	6-25917-35-0-1
51	10	6-25917-40-0-1
56	10	6-25917-45-0-1

# Individual components

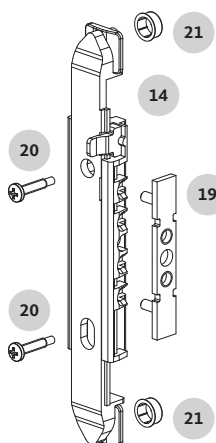
## Insertable gear / insertable lock



### Insertable lock for PC

Technical data	
Version	for profile cylinders
Opening method	Tilt&Turn window   Tilt-First window   Turn-Only window
DIN side of hinges	left   right
Finish	ferGUard*silver
Diameter of hole/engagement pin [mm]	6
Distance between engagement pins [mm]	200
Hole pattern, distance between fastening points [mm]	63

Backset [mm]	PU	Order number
36	10	6-25918-25-0-1
41	10	6-25918-30-0-1
46	10	6-25918-35-0-1
51	10	6-25918-40-0-1
56	10	6-25918-45-0-1
61	10	6-25918-50-0-1



### Insertable gear, rosette-free handle

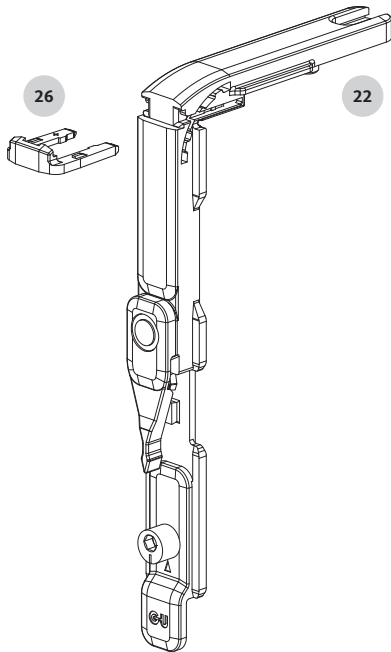
Technical data	
Version	with mishandling device   can only be used with turn handles without rosettes 6-40186, K-20048, K-20049
Opening method	Tilt&Turn window   Tilt-First window   Turn-Only window   Tilt-Only window
DIN side of hinges	left   right
Finish	ferGUard*silver
Diameter of hole/engagement pin [mm]	10 *
Backset [mm]	14.5
Distance between engagement pins [mm]	154
Hole pattern, distance between fastening points [mm]	17

	PU	Order number
	10	K-20050-00-0-1

\* Drill out ALU-JET 06 connecting rod from Ø 6 mm to Ø 8 mm. The supplied Ø 8 mm to Ø 10 mm bushes (item 21) are not required for this.

# Individual components

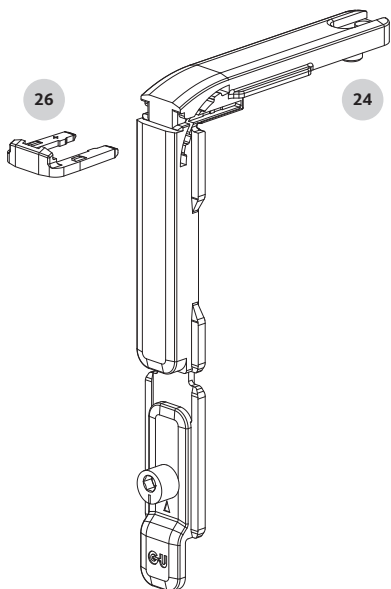
## Corner-drive



### Corner-drive with M.D.

Technical data	
Version	with mishandling device
Opening method	Tilt&Turn window   Tilt-First window   Turn-Only window
DIN side of hinges	left   right
Finish	ferGUard*silver
Height of locking cam [mm]	6.5
Installation tool	-
Adjusting tool	hexagon socket size 4

	PU	Order number
	50	K-19772-06-0-1



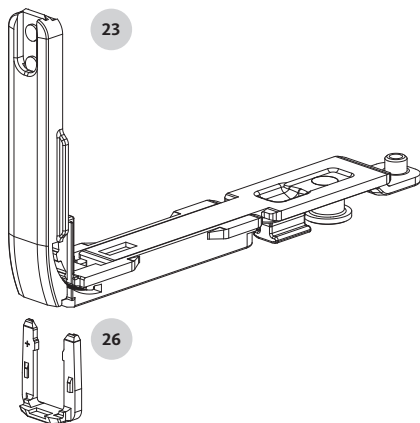
### Corner-drive without M.D.

Technical data	
Version	without mishandling device
Opening method	Tilt&Turn window   Tilt-First window   Turn-Only window   Tilt-Only window   Dummy-mullion sash
DIN side of hinges	left   right
Finish	ferGUard*silver
Height of locking cam [mm]	6.5
Installation tool	-
Adjusting tool	hexagon socket size 4
Outer packaging	individual pack

	PU	Order number
	50	K-19774-06-0-1

# Individual components

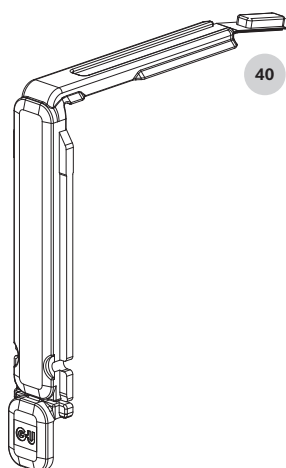
## Corner-drive



### Tilt corner-drive TF

Technical data	
Opening method	Tilt-First window
DIN side of hinges	left   right
Finish	ferGUard*silver
Height of locking cam [mm]	6.7
Installation tool	-
Adjusting tool	hexagon socket size 4

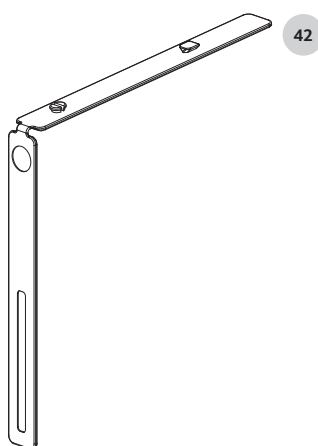
	PU	Order number
	50	K-19773-06-0-1



### Corner-drive CL

Technical data	
Version	for centre-lock
Opening method	Tilt&Turn window   Tilt-First window   Turn-Only window
DIN side of hinges	left   right
Finish	ferGUard*silver
Installation tool	-

	PU	Order number
	50	6-37266-06-0-1



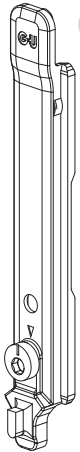
### Packer for corner-drive CL

Technical data	
Version	for corner-drive CL 6-37266   only with deep groove with groove width 13.6-15 and groove depth 5.5-7
Opening method	Tilt&Turn window   Tilt-First window   Turn-Only window
DIN side of hinges	left   right
Finish	grey
Type of fixing	for clipping in
Installation tool	-

	PU	Order number
	100	9-48466-00-0-1

# Individual components

## Tilter



29

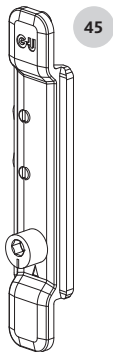
### T&T tilter

Technical data	
Opening method	Tilt&Turn window   Turn-Only window
DIN side of hinges	left   right
Finish	ferGUard*silver
Installation tool	-
Adjusting tool	hexagon socket size 4

	PU	Order number
	50	6-37258-06-0-1

# Individual components

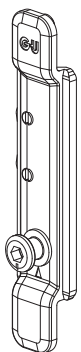
## Connector with cam



### Connector with cam

Technical data	
Opening method	Tilt&Turn window   Tilt-First window   Turn-Only window   Tilt-Only window   Dummy-mullion sash
DIN side of hinges	left   right
Finish	ferGUard*silver
Height of locking cam [mm]	6.5
Installation tool	-
Adjusting tool	hexagon socket size 4

	PU	Order number
	100	6-39396-06-0-1



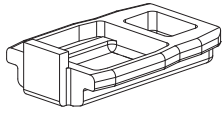
### Connector with cam LC-M

Technical data	
Opening method	Tilt&Turn window   Tilt-First window   Turn-Only window   Tilt-Only window   Dummy-mullion sash
DIN side of hinges	left   right
Finish	ferGUard*silver
Height of locking cam [mm]	8
Installation tool	-
Adjusting tool	hexagon socket size 4

	PU	Order number
	10	6-40212-00-0-1

# Individual components

## Run-up block, sash part



31

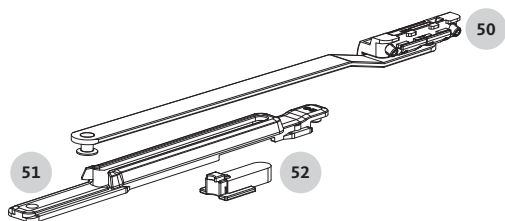
### Run-up block, sash part

Technical data	
Opening method	Tilt&Turn window   Turn-Only window   Dummy-mullion sash
DIN side of hinges	left   right
Finish	grey
Installation tool	-

	PU	Order number
	10	9-40404-00-0-1

# Individual components

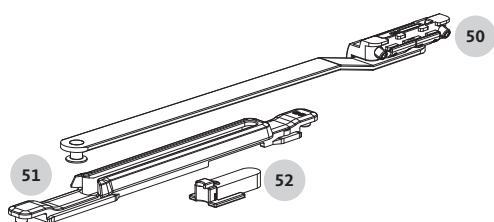
## Additional stay



### Set of additional T&T stays

Technical data	
Opening method	Tilt&Turn window
DIN side of hinges	left   right
Finish	ferGUard*silver
Min. sash width [mm]	1350
Max. sash width [mm]	1700
Type of fixing	clampable
Installation tool	hexagon socket size 2.5

	PU	Order number
	10	K-19509-00-0-1



### Set of additional TF stays

Technical data	
Opening method	Tilt-First window
DIN side of hinges	left   right
Finish	ferGUard*silver
Min. sash width [mm]	1350
Max. sash width [mm]	1700
Type of fixing	clampable
Installation tool	hexagon socket size 2.5

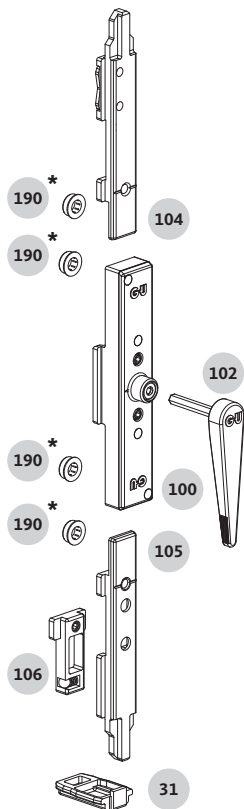
	PU	Order number
	10	K-19510-00-0-1



# Individual components



Hardware components for dummy-mullion sash with central locking system in the sash groove (ST-FLN)

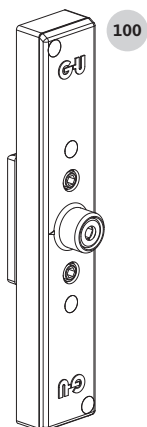


## ST-FLN lever-operated gear set

Technical data	
Opening method	Dummy-mullion sash
for dummy-mullion sash groove	ST-FLN
DIN side of hinges	left   right
Finish	ferGUard*silver
Type of fixing	clampable
Installation tool	hexagon socket size 2.5

	PU	Order number
	10	K-19589-00-0-1

\* Supplied bushes (item 190) are not required



## Lever-operated gear

Technical data	
Opening method	Dummy-mullion sash
for dummy-mullion sash groove	ST-FLN
DIN side of hinges	left   right
Finish	ferGUard*silver
Type of fixing	clampable
Installation tool	hexagon socket size 2.5

	PU	Order number
	10	6-24680-00-0-1

## Individual components

Hardware components for dummy-mullion sash  
with central locking system in the sash groove (ST-FLN)

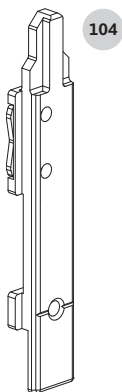


102

### Hand lever

Technical data	
Version	for lever-operated gear 6-24680
Opening method	Dummy-mullion sash
for dummy-mullion sash groove	ST-FLN
DIN side of hinges	left   right
Finish	ferGUard*silver
Type of fixing	pluggable
Installation tool	-

	PU	Order number
	10	6-23903-38-0-1

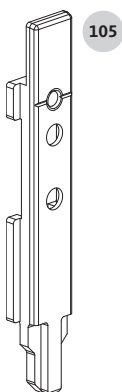


104

### Top connecting-rod shoot-bolt

Technical data	
Version	with glide brake
Opening method	Dummy-mullion sash
for dummy-mullion sash groove	ST-FLN
DIN side of hinges	left   right
Finish	ferGUard*silver
Installation tool	-

	PU	Order number
	10	G-17509-00-0-1



105

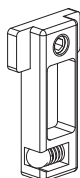
### Bottom connecting-rod shoot-bolt

Technical data	
Version	for bottom keeper G-12096
Opening method	Dummy-mullion sash
for dummy-mullion sash groove	ST-FLN
DIN side of hinges	left   right
Finish	ferGUard*silver
Installation tool	-

	PU	Order number
	10	E-12832-00-0-1

## Individual components

Hardware components for dummy-mullion sash  
with central locking system in the sash groove (ST-FLN)



106

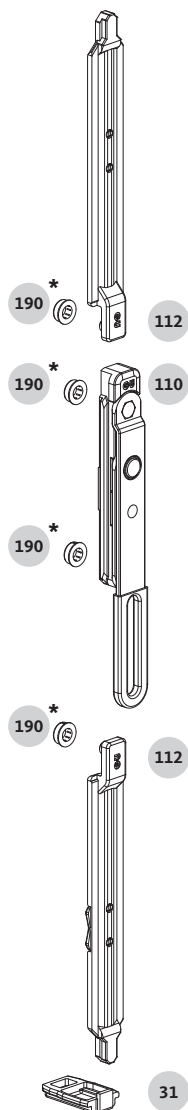
### Bottom keeper

Technical data	
Version	for connecting-rod shoot-bolt E-12832
Opening method	Dummy-mullion sash
DIN side of hinges	left   right
Finish	ferGUard*silver
Type of fixing	clampable
Installation tool	hexagon socket size 2.5

	PU	Order number
	10	G-12096-00-0-1

# Individual components

Hardware components for dummy-mullion sash with central locking system in the double C groove (ST-DCN)



## ST-DCN lever-operated gear set

Technical data	
Opening method	Dummy-mullion sash
for dummy-mullion sash groove	ST-DCN
DIN side of hinges	left   right
Finish	ferGUard*silver
Type of fixing	clampable
Installation tool	hexagon socket size 2.5

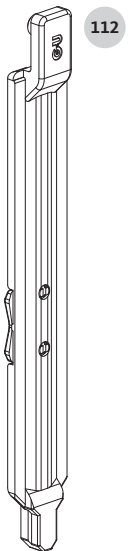
	PU	Order number
	10	K-19590-00-0-1

\* Supplied bushes (item 190) are not required

# Individual components



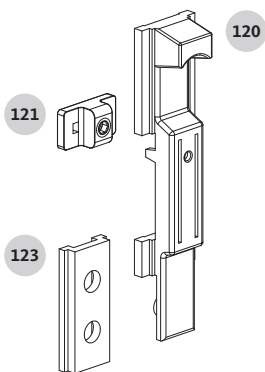
Hardware components for dummy-mullion sash with central locking system in the double C groove (ST-DCN)



### Connecting-rod shoot-bolt

Technical data	
Opening method	Dummy-mullion sash
for dummy-mullion sash groove	ST-DCN
DIN side of hinges	left   right
Finish	ferGUard*silver
Installation tool	-

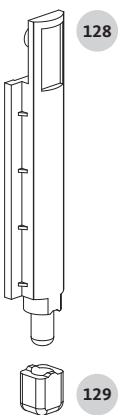
	PU	Order number
	10	6-31038-00-0-1



### ST-DCN set of sliders

Technical data	
Opening method	Dummy-mullion sash
for dummy-mullion sash groove	ST-DCN
DIN side of hinges	left   right
Finish	grey
Type of fixing	clampable
Installation tool	hexagon socket size 2.5

	PU	Order number
	10	K-15816-00-0-1



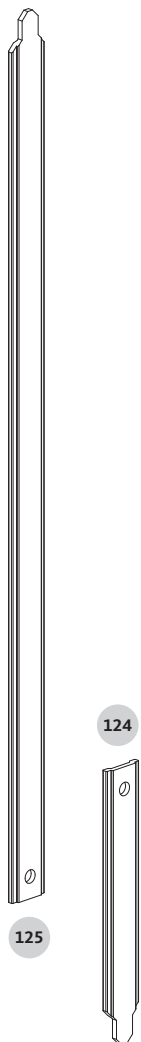
### TU-ON + ST-DCN connecting-rod shoot-bolt set

Technical data	
Version	with pressure adjustment via connecting-rod shoot-bolt eccentric cap
Opening method	Turn-Only window   Dummy-mullion sash
for dummy-mullion sash groove	ST-DCN
DIN side of hinges	left   right
Finish	grey
Installation tool	-
Adjusting tool	-

	PU	Order number
	10	K-15817-00-0-1

# Individual components

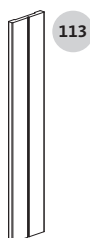
Hardware components for dummy-mullion sash with central locking system in the double C groove (ST-DCN)



## ST-DCN locking rod set

Technical data	
Opening method	Dummy-mullion sash
for dummy-mullion sash groove	ST-DCN
DIN side of hinges	left   right
Finish	EV1, silver
Installation tool	-

	PU	Order number
	10	K-15818-00-0-1



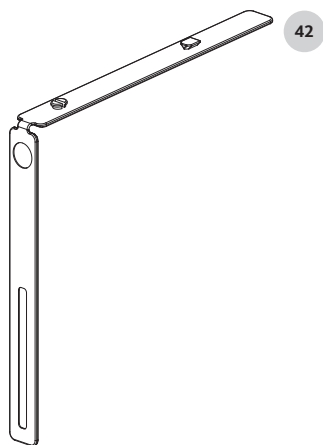
## Connecting rod profile 15/20 ST-DCN

Technical data	
Opening method	Dummy-mullion sash
for dummy-mullion sash groove	ST-DCN
DIN side of hinges	left   right
Finish	EV1, silver
Length [mm]	1600

	PU	Order number
	10	9-40859-16-0-1

# Individual components

## Accessories



### Packer for corner-drive CL

Technical data	
Version	for corner-drive CL 6-37266   only with deep groove with groove width 13.6–15 and groove depth 5.5–7
Opening method	Tilt&Turn window   Tilt-First window   Turn-Only window
DIN side of hinges	left   right
Finish	grey
Type of fixing	for clipping in
Installation tool	-

	PU	Order number
	100	9-48466-00-0-1







## ALU-JET 606 up to 80 kg sash weight

Tilt&Turn window	70
Tilt-First window	72
Turn-Only window	74
Individual components	76

## ALU-JET 606 up to 130 kg sash weight

Tilt&Turn window	80
Tilt-First window	82
Turn-Only window	84
Individual components	86

## ALU-JET S800 up to 300 kg sash weight

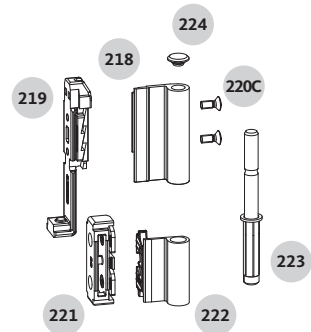
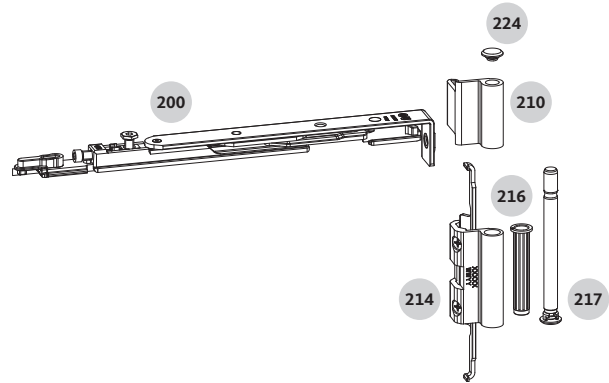
Turn-Only window	90
Turn-Only window / Tilt-Only window	91

## ALU-JET 06 axial hinges

92

# ALU-JET 606 up to 80 kg sash weight

Tilt&Turn window



# ALU-JET 606 up to 80 kg sash weight

Tilt&amp;Turn window



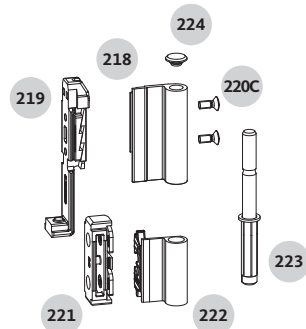
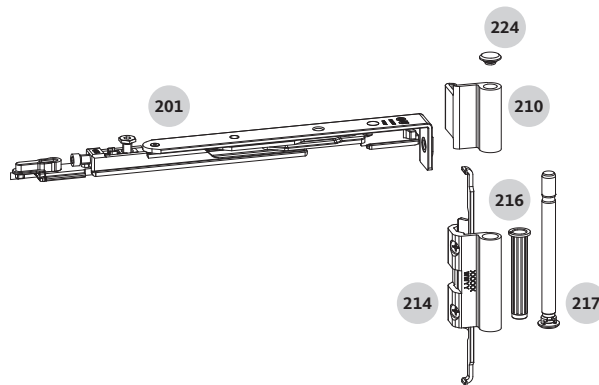
Item	Description	Piece(s)	PU	Qty. in K-set	Order number
		SH 500- 2400			

200	T&T stay	SW 410-700	1	10	-	K-18777-06-0-1
		SW 701-1000	1	10	-	K-18778-06-0-1
		SW 1001-1350	1	10	-	K-18779-06-0-1
		SW 1351-1700	1	10	-	K-18778-06-0-1

	Hinge-side set 10/14	Frame groove 10/14	1	10	-	K-16667-00-0-1
	Hinge-side set 12/15	Frame groove 12/15	1	10	-	K-16668-00-0-1
	Hinge-side set 14/18	Frame groove 14/18	1	10	-	K-15800-00-0-1
210	Stay-hinge		1	-	1	6-31088-00-0-1
214	Stay-bearing		1	-	1	6-30875-00-0-1
216	Bearing bush		1	-	1	9-39805-00-0-6
217	Stay-bearing pin		1	-	1	6-30874-00-0-6
218	Corner-hinge		1	-	1	6-31073-00-0-1
219	Clamping bracket		1	-	1	6-30873-00-0-1
220C	Countersunk screw M5x14		2	-	2	9-13489-14-R-8
221	Pivot-rest casing	Frame groove 10/14	1	-	1	6-32055-00-0-1
		Frame groove 12/15	1	-	1	6-32056-00-0-1
		Frame groove 14/18	1	-	1	6-30872-00-0-1
222	Pivot-rest		1	-	1	9-39812-00-0-1
223	Pivot-rest pin		1	-	1	6-31087-00-0-6
224	Cover cap		2	-	2	9-39807-00-0-6

# ALU-JET 606 up to 80 kg sash weight

Tilt-First window



# ALU-JET 606 up to 80 kg sash weight

## Tilt-First window



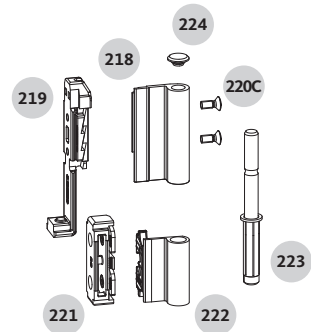
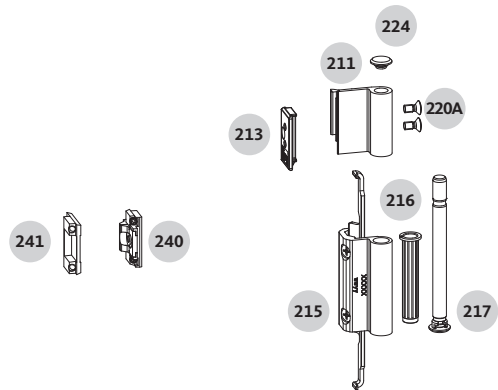
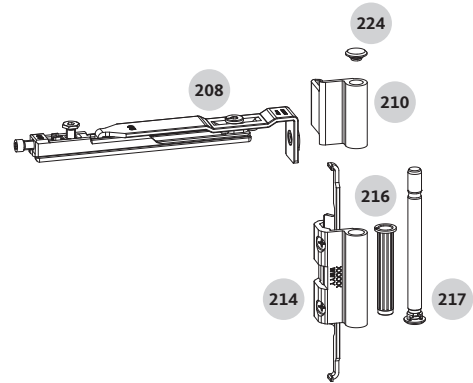
Item	Description	Piece(s)	PU	Qty. in K-set	Order number
		SH 500-2400			

201	TF stay	SW 410-700	1	10	-	K-18780-06-0-1
		SW 701-1000	1	10	-	K-18781-06-0-1
		SW 1001-1350	1	10	-	K-18782-06-0-1
		SW 1351-1700	1	10	-	K-18781-06-0-1

	Hinge-side set 10/14	Frame groove 10/14	1	10	-	K-16667-00-0-1
	Hinge-side set 12/15	Frame groove 12/15	1	10	-	K-16668-00-0-1
	Hinge-side set 14/18	Frame groove 14/18	1	10	-	K-15800-00-0-1
210	Stay-hinge		1	-	1	6-31088-00-0-1
214	Stay-bearing		1	-	1	6-30875-00-0-1
216	Bearing bush		1	-	1	9-39805-00-0-6
217	Stay-bearing pin		1	-	1	6-30874-00-0-6
218	Corner-hinge		1	-	1	6-31073-00-0-1
219	Clamping bracket		1	-	1	6-30873-00-0-1
220C	Countersunk screw M5x14		2	-	2	9-13489-14-R-8
221	Pivot-rest casing	Frame groove 10/14	1	-	1	6-32055-00-0-1
		Frame groove 12/15	1	-	1	6-32056-00-0-1
		Frame groove 14/18	1	-	1	6-30872-00-0-1
222	Pivot-rest		1	-	1	9-39812-00-0-1
223	Pivot-rest pin		1	-	1	6-31087-00-0-6
224	Cover cap		2	-	2	9-39807-00-0-6

# ALU-JET 606 up to 80 kg sash weight

Turn-Only window



# ALU-JET 606 up to 80 kg sash weight

## Turn-Only window



Item	Description	Piece(s)			PU	Qty. in K-set	Order number
		SH 280-1200	SH 1201-2200	SH 2201-2400			

208	Turn-Only stay-arm	SW 220-1700	1	1	1	10	-	6-31064-12-0-1
-----	--------------------	-------------	---	---	---	----	---	----------------

	Hinge-side set 10/14	Frame groove 10/14	1	1	1	10	-	K-16667-00-0-1
	Hinge-side set 12/15	Frame groove 12/15	1	1	1	10	-	K-16668-00-0-1
	Hinge-side set 14/18	Frame groove 14/18	1	1	1	10	-	K-15800-00-0-1
210	Stay-hinge		1	1	1	-	1	6-31088-00-0-1
214	Stay-bearing		1	1	1	-	1	6-30875-00-0-1
216	Bearing bush		1	1	1	-	1	9-39805-00-0-6
217	Stay-bearing pin		1	1	1	-	1	6-30874-00-0-6
218	Corner-hinge		1	1	1	-	1	6-31073-00-0-1
219	Clamping bracket		1	1	1	-	1	6-30873-00-0-1
220C	Countersunk screw M5x14		2	2	2	-	2	9-13489-14-R-8
221	Pivot-rest casing	Frame groove 10/14	1	1	1	-	1	6-32055-00-0-1
		Frame groove 12/15	1	1	1	-	1	6-32056-00-0-1
		Frame groove 14/18	1	1	1	-	1	6-30872-00-0-1
222	Pivot-rest		1	1	1	-	1	9-39812-00-0-1
223	Pivot-rest pin		1	1	1	-	1	6-31087-00-0-6
224	Cover cap		2	2	2	-	2	9-39807-00-0-6

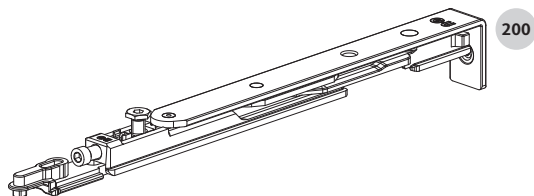
	Centre-closer set 10/14	Frame groove 10/14	-	1	2	10	-	G-13527-00-0-1
	Centre-closer set 14/18	Frame groove 14/18	-	1	2	10	-	G-13529-00-0-1
240	Centre-closer, frame part	Frame groove 10/14	-	1	2	-	1	G-13451-00-0-1
		Frame groove 14/18	-	1	2	-	1	G-13452-00-0-1
241	Centre-closer, sash part		-	1	2	-	1	G-13450-00-0-1

### Alternative

	Centre-closer set	Frame groove 10/14, 12/15, 14/18	-	1	2	10	-	K-16897-00-0-1
211	Turn-Only hinge		-	1	2	-	1	6-32249-00-0-1
213	Clamping plate		-	1	2	-	1	9-42376-02-0-1
215	Stay-bearing		-	1	2	-	1	6-31591-18-0-1
216	Bearing bush		-	1	2	-	1	9-39805-00-0-6
217	Stay-bearing pin		-	1	2	-	1	6-30874-00-0-6
220A	Countersunk screw M5x10		-	2	4	-	2	9-13489-10-R-8
224	Cover cap		-	1	2	-	1	9-39807-00-0-6

# ALU-JET 606 up to 80 kg sash weight

## Individual components

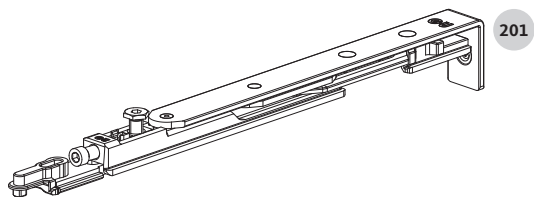


### T&T stay

Technical data	
Hinge-side type	surface-mounted
Opening method	Tilt&Turn window
DIN side of hinges	left   right
Finish	ferGUard*silver
Max. sash weight [kg]	130
Opening-angle [°]	180
Installation tool	hexagon socket size 4   Philips PH2
Adjusting tool	hexagon socket size 4

Min. sash width [mm]	Max. sash width [mm]	PU	Order number
410	700	10	K-18777-06-0-1
701	1000 *	10	K-18778-06-0-1
1001	1350	10	K-18779-06-0-1

\* sash width 1351–1700 mm with additional stay K-19509, see chapter Central locking systems

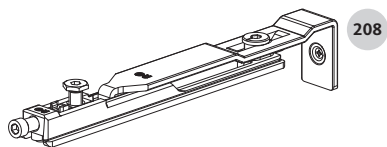


### TF stay

Technical data	
Hinge-side type	surface-mounted
Opening method	Tilt-First window
DIN side of hinges	left   right
Finish	ferGUard*silver
Max. sash weight [kg]	130
Opening-angle [°]	180
Installation tool	hexagon socket size 4   Philips PH2
Adjusting tool	hexagon socket size 4

Min. sash width [mm]	Max. sash width [mm]	PU	Order number
410	700	10	K-18780-06-0-1
701	1000 *	10	K-18781-06-0-1
1001	1350	10	K-18782-06-0-1

\* sash width 1351–1700 mm with additional stay K-19510, see chapter Central locking systems



### Turn-Only stay-arm

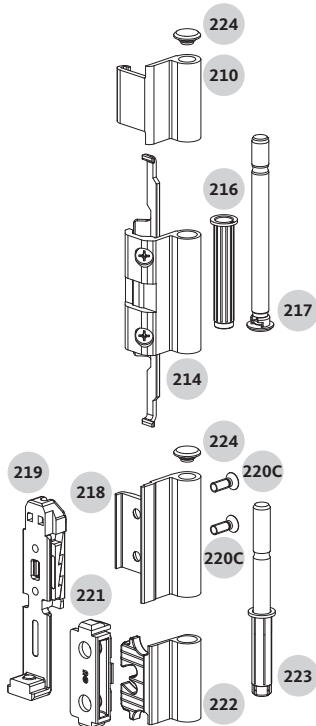
Technical data	
Hinge-side type	surface-mounted
Opening method	Turn-Only window   Dummy-mullion sash
DIN side of hinges	left   right
Finish	ferGUard*silver
Max. sash weight [kg]	130
Opening-angle [°]	180
Installation tool	hexagon socket size 4   Philips PH2
Adjusting tool	hexagon socket size 4

PU	Order number
10	6-31064-12-0-1



# ALU-JET 606 up to 80 kg sash weight

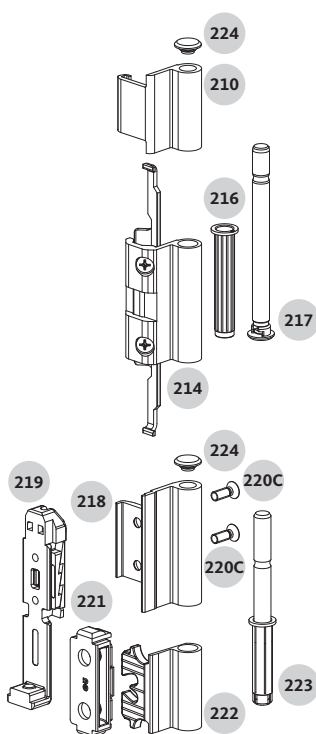
## Individual components



### Hinge-side set 10/14

Technical data	
Hinge-side type	surface-mounted
Opening method	Tilt&Turn window   Tilt-First window   Turn-Only window   Dummy-mullion sash
DIN side of hinges	left   right
Max. sash weight [kg]	80
Opening-angle [°]	180
Frame groove [mm]	10/14
Min. hinge-passage [mm]	3
Type of fixing	clampable
Installation tool	hexagon socket size 2.5   Philips PH2

Finish	PU	Order number
EV1, silver	10	K-16667-00-0-1
traffic white	10	K-16667-00-0-7



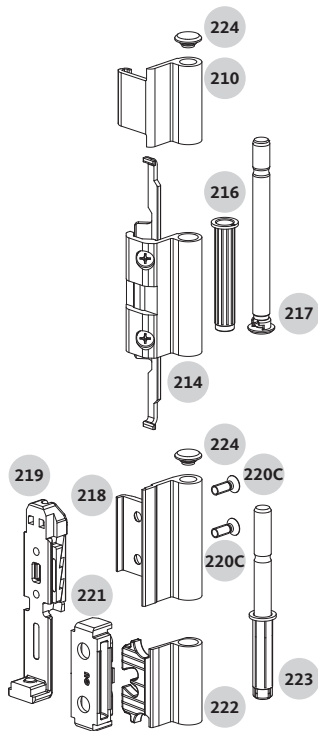
### Hinge-side set 12/15

Technical data	
Hinge-side type	surface-mounted
Opening method	Tilt&Turn window   Tilt-First window   Turn-Only window   Dummy-mullion sash
DIN side of hinges	left   right
Max. sash weight [kg]	80
Opening-angle [°]	180
Frame groove [mm]	12/15
Min. hinge-passage [mm]	3
Type of fixing	clampable
Installation tool	hexagon socket size 2.5   Philips PH2

Finish	PU	Order number
EV1, silver	10	K-16668-00-0-1
black	10	K-16668-00-0-6

# ALU-JET 606 up to 80 kg sash weight

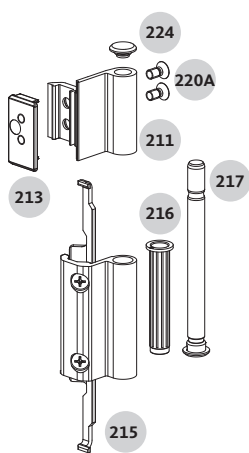
## Individual components



### Hinge-side set 14/18

Technical data	
Hinge-side type	surface-mounted
Opening method	Tilt&Turn window   Tilt-First window   Turn-Only window   Dummy-mullion sash
DIN side of hinges	left   right
Max. sash weight [kg]	80
Opening-angle [°]	180
Frame groove [mm]	14/18
Min. hinge-passage [mm]	3
Type of fixing	clampable
Installation tool	hexagon socket size 2.5   Philips PH2

Finish	PU	Order number
untreated	10	K-15800-00-0-0
EV1, silver	10	K-15800-00-0-1
black	10	K-15800-00-0-6
traffic white	10	K-15800-00-0-7
special colour available on request	10	K-15800-00-0-9



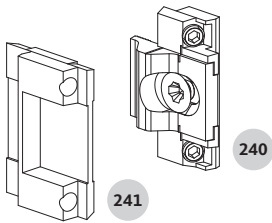
### Centre-closer set

Technical data	
Hinge-side type	surface-mounted
Opening method	Turn-Only window   Dummy-mullion sash
DIN side of hinges	left   right
Max. sash weight [kg]	130
Opening-angle [°]	180
Frame groove [mm]	10/14   12/15   14/18
Min. hinge-passage [mm]	3
Type of fixing	clampable
Installation tool	hexagon socket size 2.5   Philips PH2

Finish	PU	Order number
untreated	10	K-16897-00-0-0
EV1, silver	10	K-16897-00-0-1
special colour available on request	10	K-16897-00-0-9

# ALU-JET 606 up to 80 kg sash weight

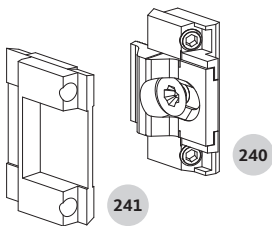
Individual components



## Centre-closer set 10/14

Technical data	
Hinge-side type	surface-mounted
Opening method	Turn-Only window   Dummy-mullion sash
DIN side of hinges	left   right
Finish	ferGUard*silver
Frame groove [mm]	10/14
Installation tool	hexagon socket size 2.5
Adjusting tool	Philips PH2

	PU	Order number
	10	G-13527-00-0-1



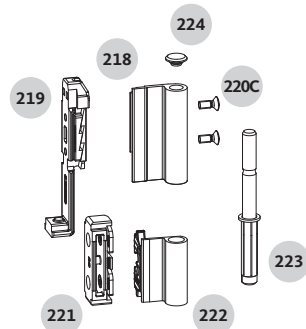
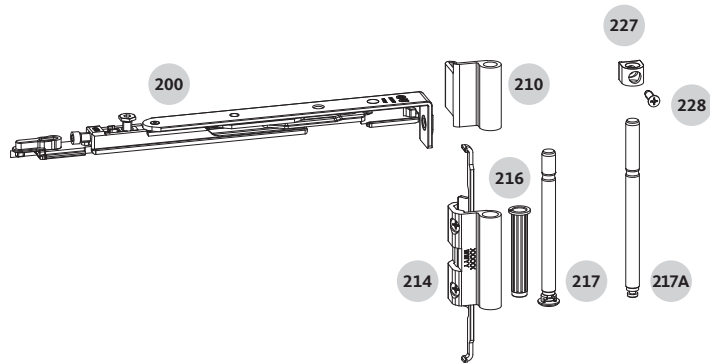
## Centre-closer set 14/18

Technical data	
Hinge-side type	surface-mounted
Opening method	Turn-Only window   Dummy-mullion sash
DIN side of hinges	left   right
Finish	ferGUard*silver
Frame groove [mm]	14/18
Installation tool	hexagon socket size 2.5
Adjusting tool	Philips PH2

	PU	Order number
	10	G-13529-00-0-1

# ALU-JET 606 up to 130 kg sash weight

Tilt&Turn window



# ALU-JET 606 up to 130 kg sash weight

Tilt&amp;Turn window



Item	Description	Piece(s)	PU	Qty. in K-set	Order number
		SH 500-2800			

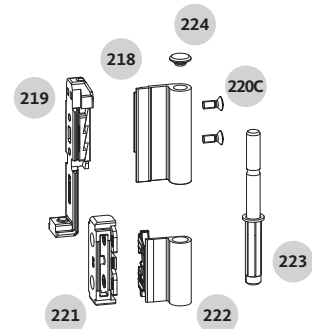
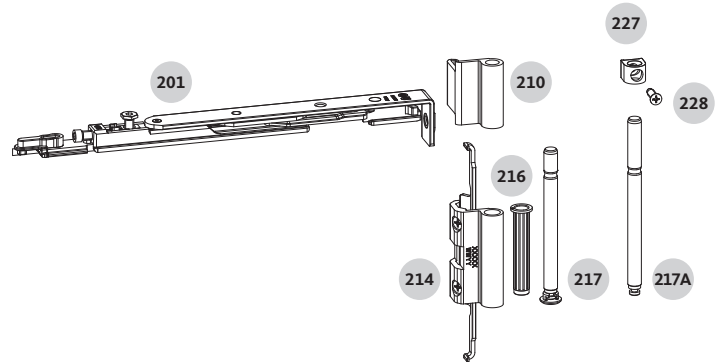
200	T&T stay	SW 410-700	1	10	-	K-18777-06-0-1
		SW 701-1000	1	10	-	K-18778-06-0-1
		SW 1001-1350	1	10	-	K-18779-06-0-1
		SW 1351-1700	1	10	-	K-18778-06-0-1

	Hinge-side set 10/14	Frame groove 10/14	1	10	-	K-16667-00-0-1
	Hinge-side set 12/15	Frame groove 12/15	1	10	-	K-16668-00-0-1
	Hinge-side set 14/18	Frame groove 14/18	1	10	-	K-15800-00-0-1
210	Stay-hinge		1	-	1	6-31088-00-0-1
214	Stay-bearing		1	-	1	6-30875-00-0-1
216	Bearing bush		1	-	1	9-39805-00-0-6
217	Stay-bearing pin		1	-	1	6-30874-00-0-6
218	Corner-hinge		1	-	1	6-31073-00-0-1
219	Clamping bracket		1	-	1	6-30873-00-0-1
220C	Countersunk screw M5x14		2	-	2	9-13489-14-R-8
221	Pivot-rest casing	Frame groove 10/14	1	-	1	6-32055-00-0-1
		Frame groove 12/15	1	-	1	6-32056-00-0-1
		Frame groove 14/18	1	-	1	6-30872-00-0-1
222	Pivot-rest		1	-	1	9-39812-00-0-1
223	Pivot-rest pin		1	-	1	6-31087-00-0-6
224	Cover cap		2	-	2	9-39807-00-0-6

	Set of additional parts, hinge-side	Frame groove 10/14, 12/15, 14/18	1	10	-	K-16595-00-0-1
217A	Stay-bearing pin, long		1	-	1	9-39809-01-0-8
227	Stay-bearing support		1	-	1	9-41710-00-0-1
228	Countersunk screw M5x16		1	-	1	9-33841-16-R-8

# ALU-JET 606 up to 130 kg sash weight

Tilt-First window



# ALU-JET 606 up to 130 kg sash weight

Tilt-First window



Item	Description	Piece(s)	PU	Qty. in K-set	Order number
		SH 500- 2800			

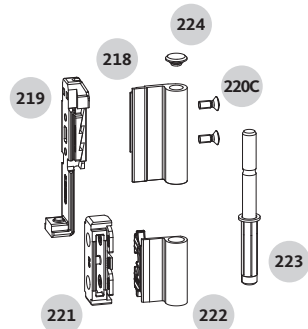
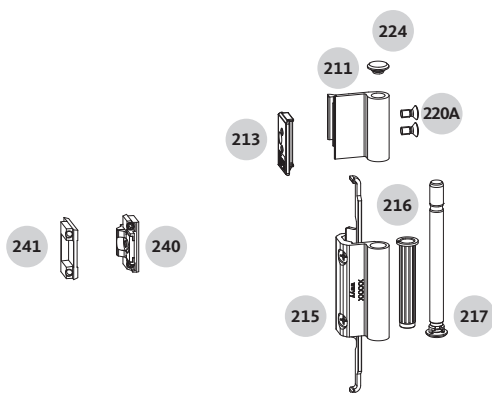
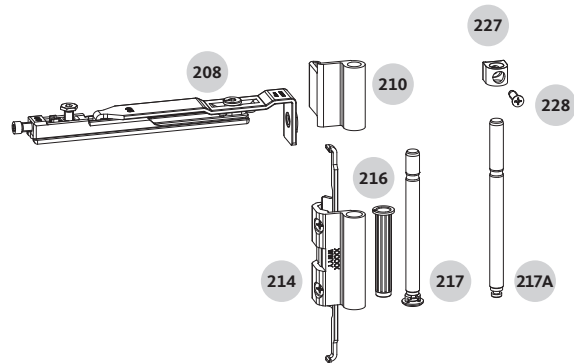
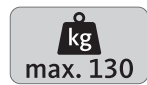
201	TF stay	SW 410-700	1	10	-	K-18780-06-0-1
		SW 701-1000	1	10	-	K-18781-06-0-1
		SW 1001-1350	1	10	-	K-18782-06-0-1
		SW 1351-1700	1	10	-	K-18781-06-0-1

	Hinge-side set 10/14	Frame groove 10/14	1	10	-	K-16667-00-0-1
	Hinge-side set 12/15	Frame groove 12/15	1	10	-	K-16668-00-0-1
	Hinge-side set 14/18	Frame groove 14/18	1	10	-	K-15800-00-0-1
210	Stay-hinge		1	-	1	6-31088-00-0-1
214	Stay-bearing		1	-	1	6-30875-00-0-1
216	Bearing bush		1	-	1	9-39805-00-0-6
217	Stay-bearing pin		1	-	1	6-30874-00-0-6
218	Corner-hinge		1	-	1	6-31073-00-0-1
219	Clamping bracket		1	-	1	6-30873-00-0-1
220C	Countersunk screw M5x14		2	-	2	9-13489-14-R-8
221	Pivot-rest casing	Frame groove 10/14	1	-	1	6-32055-00-0-1
		Frame groove 12/15	1	-	1	6-32056-00-0-1
		Frame groove 14/18	1	-	1	6-30872-00-0-1
222	Pivot-rest		1	-	1	9-39812-00-0-1
223	Pivot-rest pin		1	-	1	6-31087-00-0-6
224	Cover cap		2	-	2	9-39807-00-0-6

	Set of additional parts, hinge-side	Frame groove 10/14, 12/15, 14/18	1	10	-	K-16595-00-0-1
217A	Stay-bearing pin, long		1	-	1	9-39809-01-0-8
227	Stay-bearing support		1	-	1	9-41710-00-0-1
228	Countersunk screw M5x16		1	-	1	9-33841-16-R-8

# ALU-JET 606 up to 130 kg sash weight

Turn-Only window





# ALU-JET 606 up to 130 kg sash weight

## Turn-Only window



Item	Description	Piece(s)			PU	Qty. in K-set	Order number
		SH 280-1200	SH 1201-2200	SH 2201-2800			

208	Turn-Only stay-arm	SW 220-1700	1	1	1	10	-	6-31064-12-0-1
-----	--------------------	-------------	---	---	---	----	---	----------------

	<b>Hinge-side set 10/14</b>	<b>Frame groove 10/14</b>	<b>1</b>	<b>1</b>	<b>1</b>	<b>10</b>	<b>-</b>	<b>K-16667-00-0-1</b>
	<b>Hinge-side set 12/15</b>	<b>Frame groove 12/15</b>	<b>1</b>	<b>1</b>	<b>1</b>	<b>10</b>	<b>-</b>	<b>K-16668-00-0-1</b>
	<b>Hinge-side set 14/18</b>	<b>Frame groove 14/18</b>	<b>1</b>	<b>1</b>	<b>1</b>	<b>10</b>	<b>-</b>	<b>K-15800-00-0-1</b>
210	Stay-hinge		1	1	1	-	1	6-31088-00-0-1
214	Stay-bearing		1	1	1	-	1	6-30875-00-0-1
216	Bearing bush		1	1	1	-	1	9-39805-00-0-6
217	Stay-bearing pin		1	1	1	-	1	6-30874-00-0-6
218	Corner-hinge		1	1	1	-	1	6-31073-00-0-1
219	Clamping bracket		1	1	1	-	1	6-30873-00-0-1
220C	Countersunk screw M5x14		2	2	2	-	2	9-13489-14-R-8
221	Pivot-rest casing	Frame groove 10/14	1	1	1	-	1	6-32055-00-0-1
		Frame groove 12/15	1	1	1	-	1	6-32056-00-0-1
		Frame groove 14/18	1	1	1	-	1	6-30872-00-0-1
222	Pivot-rest		1	1	1	-	1	9-39812-00-0-1
223	Pivot-rest pin		1	1	1	-	1	6-31087-00-0-6
224	Cover cap		2	2	2	-	2	9-39807-00-0-6

	<b>Set of additional parts, hinge-side</b>	<b>Frame groove 10/14, 12/15, 14/18</b>	<b>1</b>	<b>1</b>	<b>1</b>	<b>10</b>	<b>-</b>	<b>K-16595-00-0-1</b>
217A	Stay-bearing pin, long		1	1	1	-	1	9-39809-01-0-8
227	Stay-bearing support		1	1	1	-	1	9-41710-00-0-1
228	Countersunk screw M5x16		1	1	1	-	1	9-33841-16-R-8

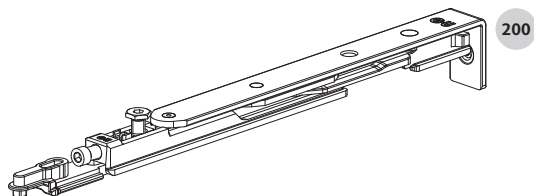
	<b>Centre-closer set 10/14</b>	<b>Frame groove 10/14</b>	<b>-</b>	<b>1</b>	<b>2</b>	<b>10</b>	<b>-</b>	<b>G-13527-00-0-1</b>
	<b>Centre-closer set 14/18</b>	<b>Frame groove 14/18</b>	<b>-</b>	<b>1</b>	<b>2</b>	<b>10</b>	<b>-</b>	<b>G-13529-00-0-1</b>
240	Centre-closer, frame part	Frame groove 10/14	-	1	2	-	1	G-13451-00-0-1
		Frame groove 14/18	-	1	2	-	1	G-13452-00-0-1
241	Centre-closer, sash part		-	1	2	-	1	G-13450-00-0-1

### Alternative

	<b>Centre-closer set</b>	<b>Frame groove 10/14, 12/15, 14/18</b>	<b>-</b>	<b>1</b>	<b>2</b>	<b>10</b>	<b>-</b>	<b>K-16897-00-0-1</b>
211	Turn-Only hinge		-	1	2	-	1	6-32249-00-0-1
213	Clamping plate		-	1	2	-	1	9-42376-02-0-1
215	Stay-bearing		-	1	2	-	1	6-31591-18-0-1
216	Bearing bush		-	1	2	-	1	9-39805-00-0-6
217	Stay-bearing pin		-	1	2	-	1	6-30874-00-0-6
220A	Countersunk screw M5x10		-	2	4	-	2	9-13489-10-R-8
224	Cover cap		-	1	2	-	1	9-39807-00-0-6

# ALU-JET 606 up to 130 kg sash weight

## Individual components



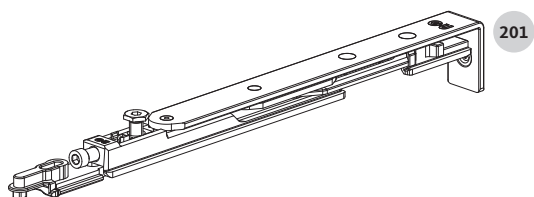
200

### T&T stay

Technical data	
Hinge-side type	surface-mounted
Opening method	Tilt&Turn window
DIN side of hinges	left   right
Finish	ferGUard*silver
Max. sash weight [kg]	130
Opening-angle [°]	180
Installation tool	hexagon socket size 4   Philips PH2
Adjusting tool	hexagon socket size 4

Min. sash width [mm]	Max. sash width [mm]	PU	Order number
410	700	10	K-18777-06-0-1
701	1000 *	10	K-18778-06-0-1
1001	1350	10	K-18779-06-0-1

\* sash width 1351–1700 mm with additional stay K-19509, see chapter Central locking systems



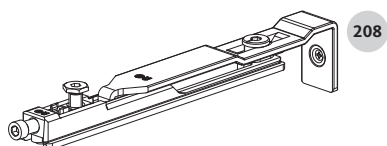
201

### TF stay

Technical data	
Hinge-side type	surface-mounted
Opening method	Tilt-First window
DIN side of hinges	left   right
Finish	ferGUard*silver
Max. sash weight [kg]	130
Opening-angle [°]	180
Installation tool	hexagon socket size 4   Philips PH2
Adjusting tool	hexagon socket size 4

Min. sash width [mm]	Max. sash width [mm]	PU	Order number
410	700	10	K-18780-06-0-1
701	1000 *	10	K-18781-06-0-1
1001	1350	10	K-18782-06-0-1

\* sash width 1351–1700 mm with additional stay K-19510, see chapter Central locking systems



208

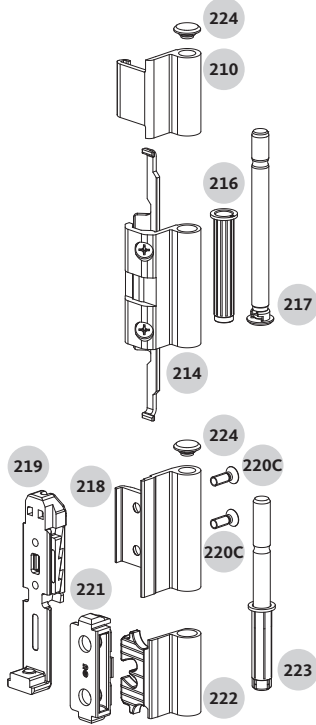
### Turn-Only stay-arm

Technical data	
Hinge-side type	surface-mounted
Opening method	Turn-Only window   Dummy-mullion sash
DIN side of hinges	left   right
Finish	ferGUard*silver
Max. sash weight [kg]	130
Opening-angle [°]	180
Installation tool	hexagon socket size 4   Philips PH2
Adjusting tool	hexagon socket size 4

PU	Order number
10	6-31064-12-0-1

# ALU-JET 606 up to 130 kg sash weight

## Individual components

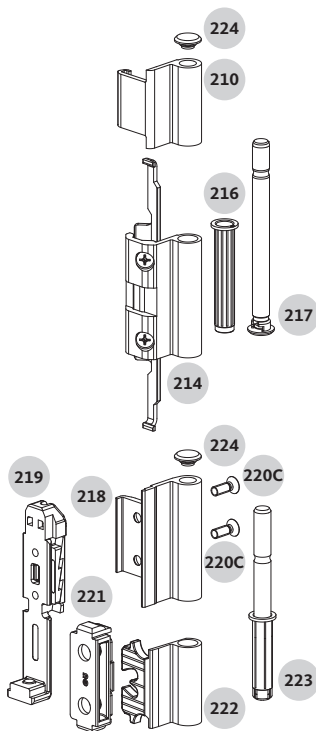


### Hinge-side set 10/14

Technical data	
Hinge-side type	surface-mounted
Opening method	Tilt&Turn window   Tilt-First window   Turn-Only window   Dummy-mullion sash
DIN side of hinges	left   right
Max. sash weight [kg]	80 *
Opening-angle [°]	180
Frame groove [mm]	10/14
Min. hinge-passage [mm]	3
Type of fixing	clampable
Installation tool	hexagon socket size 2.5   Philips PH2

Finish	PU	Order number
EV1, silver	10	K-16667-00-0-1
traffic white	10	K-16667-00-0-7

\* 130 kg in combination with set of additional parts for hinge-side K-16595



### Hinge-side set 12/15

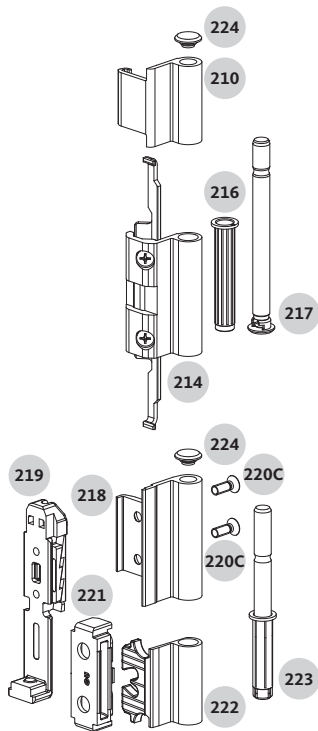
Technical data	
Hinge-side type	surface-mounted
Opening method	Tilt&Turn window   Tilt-First window   Turn-Only window   Dummy-mullion sash
DIN side of hinges	left   right
Max. sash weight [kg]	80 *
Opening-angle [°]	180
Frame groove [mm]	12/15
Min. hinge-passage [mm]	3
Type of fixing	clampable
Installation tool	hexagon socket size 2.5   Philips PH2

Finish	PU	Order number
EV1, silver	10	K-16668-00-0-1
black	10	K-16668-00-0-6

\* 130 kg in combination with set of additional parts for hinge-side K-16595

# ALU-JET 606 up to 130 kg sash weight

## Individual components

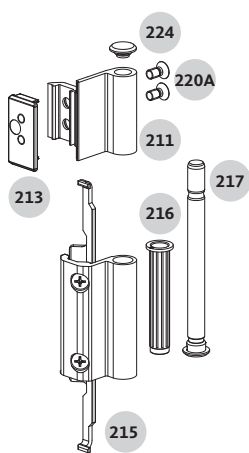


### Hinge-side set 14/18

Technical data	
Hinge-side type	surface-mounted
Opening method	Tilt&Turn window   Tilt-First window   Turn-Only window   Dummy-mullion sash
DIN side of hinges	left   right
Max. sash weight [kg]	80 *
Opening-angle [°]	180
Frame groove [mm]	14/18
Min. hinge-passage [mm]	3
Type of fixing	clampable
Installation tool	hexagon socket size 2.5   Philips PH2

Finish	PU	Order number
untreated	10	K-15800-00-0-0
EV1, silver	10	K-15800-00-0-1
black	10	K-15800-00-0-6
traffic white	10	K-15800-00-0-7
special colour available on request	10	K-15800-00-0-9

\* 130 kg in combination with set of additional parts for hinge-side K-16595



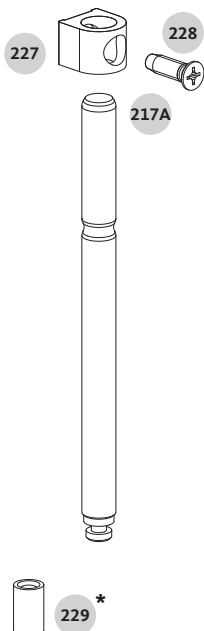
### Centre-closer set

Technical data	
Hinge-side type	surface-mounted
Opening method	Turn-Only window   Dummy-mullion sash
DIN side of hinges	left   right
Max. sash weight [kg]	130
Opening-angle [°]	180
Frame groove [mm]	10/14   12/15   14/18
Min. hinge-passage [mm]	3
Type of fixing	clampable
Installation tool	hexagon socket size 2.5   Philips PH2

Finish	PU	Order number
untreated	10	K-16897-00-0-0
EV1, silver	10	K-16897-00-0-1
special colour available on request	10	K-16897-00-0-9

# ALU-JET 606 up to 130 kg sash weight

## Individual components

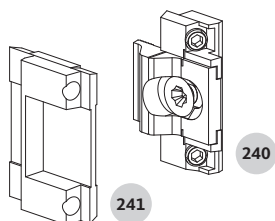


### Set of additional parts, hinge-side

Technical data	
Hinge-side type	surface-mounted
Opening method	Tilt&Turn window   Tilt-First window   Turn-Only window   Tilt-Only window   Dummy-mullion sash
DIN side of hinges	left   right
Max. sash weight [kg]	130
Opening-angle [°]	180
Frame groove [mm]	10/14   12/15   14/18
Type of fixing	screw-on version
Installation tool	Philips PH2

Finish	PU	Order number
untreated	10	K-16595-00-0-0
EV1, silver	10	K-16595-00-0-1
black	10	K-16595-00-0-6
traffic white	10	K-16595-00-0-7
special colour available on request	10	K-16595-00-0-9

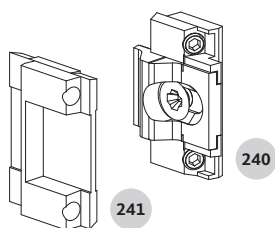
\* Item 229 is not required with ALU-JET 06



### Centre-closer set 10/14

Technical data	
Hinge-side type	surface-mounted
Opening method	Turn-Only window   Dummy-mullion sash
DIN side of hinges	left   right
Finish	ferGUard*silver
Frame groove [mm]	10/14
Installation tool	hexagon socket size 2.5
Adjusting tool	Philips PH2

	PU	Order number
	10	G-13527-00-0-1



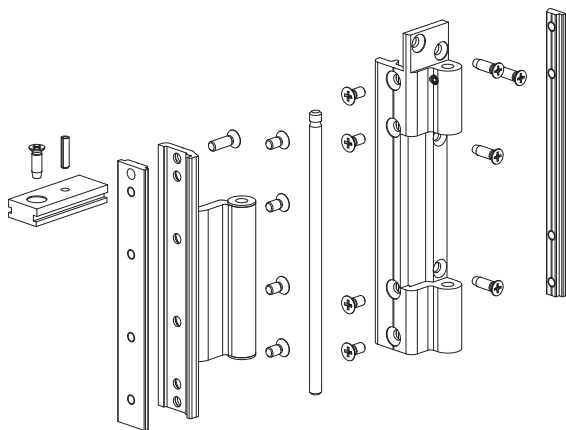
### Centre-closer set 14/18

Technical data	
Hinge-side type	surface-mounted
Opening method	Turn-Only window   Dummy-mullion sash
DIN side of hinges	left   right
Finish	ferGUard*silver
Frame groove [mm]	14/18
Installation tool	hexagon socket size 2.5
Adjusting tool	Philips PH2

	PU	Order number
	10	G-13529-00-0-1

# ALU-JET S800 up to 300 kg sash weight

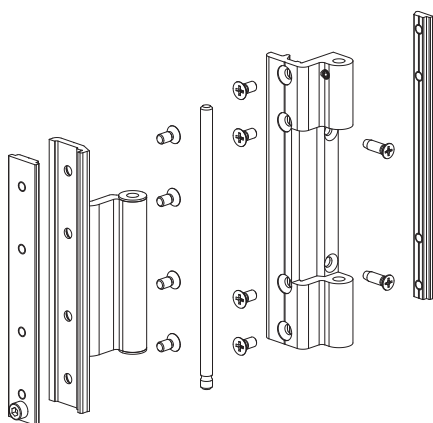
Turn-Only window



## TU-ON hinge set top

Technical data	
Hinge-side type	surface-mounted
Opening method	Turn-Only window   Dummy-mullion sash
Max. sash weight [kg]	300
Opening-angle [°]	180
Frame groove [mm]	10/14   12/15   14/18
Min. hinge-passage [mm]	7
Type of fixing	clampable   screw-on version

DIN side of hinges	Finish	PU	Order number
left	EV1, silver	10	K-19240-00-L-1
	traffic white	10	K-19240-00-L-7
	special colour available on request	10	K-19240-00-L-9
right	EV1, silver	10	K-19240-00-R-1
	traffic white	10	K-19240-00-R-7
	special colour available on request	10	K-19240-00-R-9



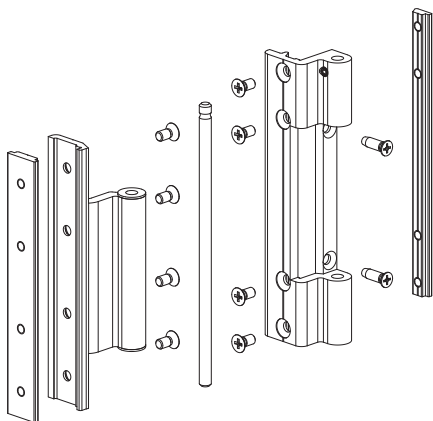
## TU-ON hinge set bottom

Technical data	
Hinge-side type	surface-mounted
Opening method	Turn-Only window   Dummy-mullion sash
DIN side of hinges	left   right
Max. sash weight [kg]	300
Opening-angle [°]	180
Frame groove [mm]	10/14   12/15   14/18
Min. hinge-passage [mm]	7
Type of fixing	clampable   screw-on version

Finish	PU	Order number
EV1, silver	10	K-19241-00-0-1
traffic white	10	K-19241-00-0-7
special colour available on request	10	K-19241-00-0-9

# ALU-JET S800 up to 300 kg sash weight

Turn-Only window / Tilt-Only window

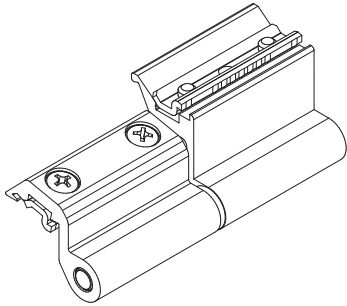


## TU-ON centre-hinge set

Technical data	
Hinge-side type	surface-mounted
Opening method	Turn-Only window   Tilt-Only window   Dummy-mullion sash
DIN side of hinges	left   right
Max. sash weight [kg]	300
Opening-angle [°]	180
Frame groove [mm]	10/14   12/15   14/18
Min. hinge-passage [mm]	7
Type of fixing	clampable   screw-on version

Finish	PU	Order number
EV1, silver	10	K-19242-00-0-1
traffic white	10	K-19242-00-0-7
special colour available on request	10	K-19242-00-0-9

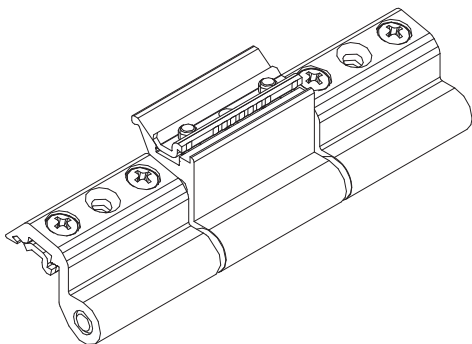
# ALU-JET 06 axial hinges



## Axial hinge, 2-part, 10/14-14/18

Technical data	
Hinge-side type	surface-mounted
Opening method	Turn-Only window   Dummy-mullion sash
Max. sash weight [kg]	80
Opening-angle [°]	180
Frame groove [mm]	10/14   12/15   14/18
Min. hinge-passage [mm]	3
Type of fixing	clampable
Installation tool	Philips PH2

DIN side of hinges	Finish	PU	Order number
left   right	untreated	50	G-24885-00-0-0
right	EV1, silver	50	G-24885-00-R-1
	black	50	G-24885-00-R-6
	traffic white	50	G-24885-00-R-7
left	EV1, silver	50	G-24885-00-L-1
	black	50	G-24885-00-L-6
	traffic white	50	G-24885-00-L-7



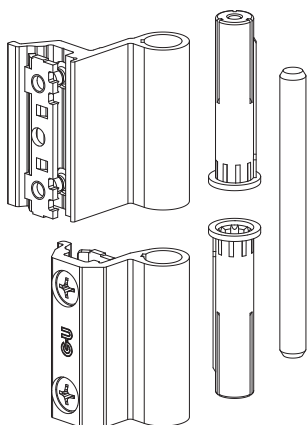
## Axial hinge, 3-part, 10/14-14/18

Technical data	
Hinge-side type	surface-mounted
Opening method	Turn-Only window   Tilt-Only window   Dummy-mullion sash
DIN side of hinges	left   right
Max. sash weight [kg]	100
Opening-angle [°]	180
Frame groove [mm]	10/14   12/15   14/18
Min. hinge-passage [mm]	3
Type of fixing	clampable
Installation tool	Philips PH2

Finish	PU	Order number
untreated	50	G-24886-00-0-0
EV1, silver	50	G-24886-00-0-1
dark bronze	50	G-24886-00-0-5
black	50	G-24886-00-0-6
traffic white	50	G-24886-00-0-7
white	50	G-24886-00-0-7T



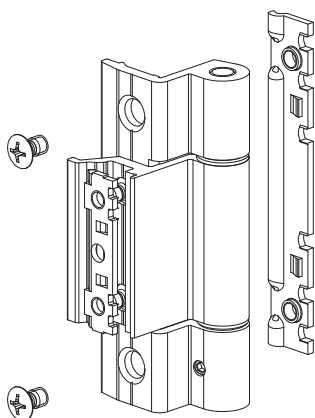
## ALU-JET 06 axial hinges



## Axial hinge, 2-part, 14/18

Technical data	
Hinge-side type	surface-mounted
Opening method	Turn-Only window   Dummy-mullion sash
DIN side of hinges	left   right
Max. sash weight [kg]	75
Opening-angle [°]	180
Frame groove [mm]	14/18
Min. hinge-passage [mm]	3
Type of fixing	clampable
Installation tool	Philips PH2

Finish	PU	Order number
untreated	20	K-15820-00-0-0
EV1, silver	20	K-15820-00-0-1
black	20	K-15820-00-0-6
traffic white	20	K-15820-00-0-7



## Axial hinge, 3-part, 14/18

Technical data	
Hinge-side type	surface-mounted
Opening method	Turn-Only window   Tilt-Only window   Dummy-mullion sash
DIN side of hinges	left   right
Max. sash weight [kg]	80
Opening-angle [°]	180
Frame groove [mm]	14/18
Min. hinge-passage [mm]	3
Type of fixing	clampable
Installation tool	hexagon socket size 2.5   Philips PH2

Finish	PU	Order number
EV1, silver	20	K-15887-00-0-1
black	20	K-15887-00-0-6
traffic white	20	K-15887-00-0-7





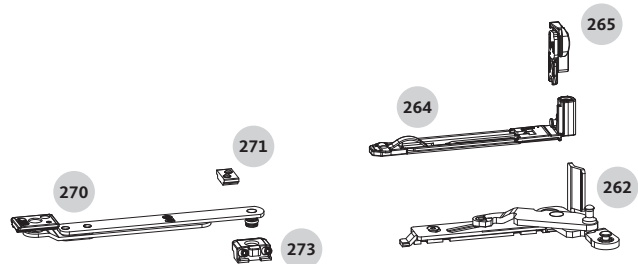
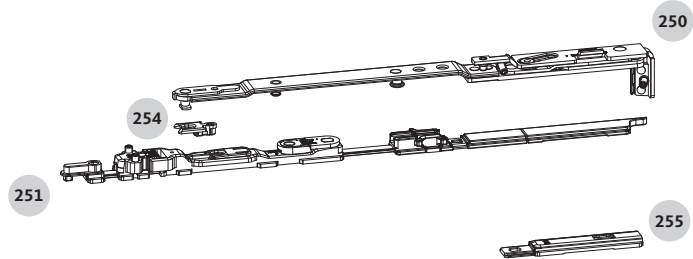
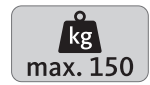
## ALU-JET CC606 up to 150 kg sash weight

Tilt&Turn window / Tilt-First window	96
Turn-Only window	98
Individual components	100

---

# ALU-JET CC606 up to 150 kg sash weight

Tilt&Turn window / Tilt-First window



# ALU-JET CC606 up to 150 kg sash weight

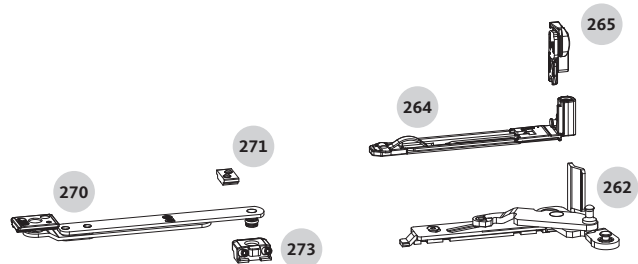
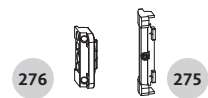
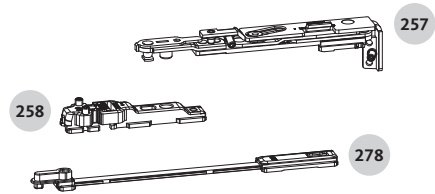
Tilt&amp;Turn window / Tilt-First window



Item	Description	Piece(s)						PU	Qty. in K-set	Order number	
		SW 530-800			SW 801-1600						
		SH 500-1000	SH 1001-1200	SH 1201-2800	SH 500-1000	SH 1000-1200	SH 1201-2800				
250	T&T+TF stay-arm	DIN left	1	1	1	-	-	-	10	-	6-37470-00-L-1
		DIN right	1	1	1	-	-	-	10	-	6-37470-00-R-1
		DIN left	-	-	-	1	1	1	10	-	6-37471-00-L-1
		DIN right	-	-	-	1	1	1	10	-	6-37471-00-R-1
251	T&T+TF stay-guide	DIN left	1	1	1	-	-	-	10	-	6-37472-06-L-1
		DIN right	1	1	1	-	-	-	10	-	6-37472-06-R-1
		DIN left	-	-	-	1	1	1	10	-	6-37473-06-L-1
		DIN right	-	-	-	1	1	1	10	-	6-37473-06-R-1
254	Tilt-width limiter 180 -> 120 mm	-	-	-	1	-	-	10	-	9-48773-00-0-1	
255	T&T+TF connection, corner-drive	-	-	1	-	-	1	10	-	9-48772-00-0-1	
262	Pivot-rest 10/14+14/18	DIN left	1	1	1	1	1	1	10	-	6-37059-00-L-1
		DIN right	1	1	1	1	1	1	10	-	6-37059-00-R-1
264	Corner-hinge, pivot part	<b>DIN left</b>	<b>1</b>	<b>1</b>	<b>1</b>	<b>1</b>	<b>1</b>	<b>1</b>	<b>10</b>	-	<b>K-19471-00-L-1</b>
		<b>DIN right</b>	<b>1</b>	<b>1</b>	<b>1</b>	<b>1</b>	<b>1</b>	<b>1</b>	<b>10</b>	-	<b>K-19471-00-R-1</b>
264	Corner-hinge, pivot part	DIN left	1	1	1	1	1	1	-	1	6-37060-00-L-1
		DIN right	1	1	1	1	1	1	-	1	6-37060-00-R-1
265	Corner-hinge, adjustment part	DIN left	1	1	1	1	1	1	-	1	6-39285-00-L-1
		DIN right	1	1	1	1	1	1	-	1	6-39285-00-R-1
	<b>Turn-restrictor</b>	-	-	-	<b>1</b>	<b>1</b>	<b>1</b>	<b>10</b>	-	-	<b>K-19644-00-0-1</b>
270	Turn-restrictor	-	-	-	1	1	1	-	1	6-39547-00-0-1	
271	Turn-restrictor, stopper	-	-	-	1	1	1	-	1	6-39548-00-0-0	
273	Turn-restrictor, frame part	-	-	-	1	1	1	-	1	6-38875-00-0-1	

# ALU-JET CC606 up to 150 kg sash weight

Turn-Only window



# ALU-JET CC606 up to 150 kg sash weight

## Turn-Only window

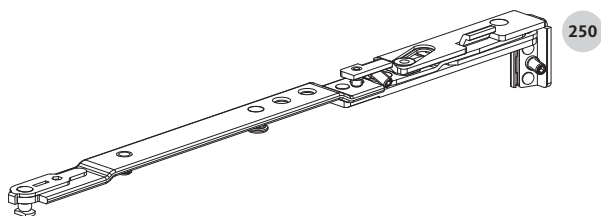


Item	Description	Piece(s)						PU	Qty. in K-set	Order number	
		SW 235-800			SW 801-1600						
		SH 500-1200	SH 1201-2200	SH 2201-2800	SH 500-1200	SH 1201-2200	SH 2201-2800				
257	TU-ON+TI-ON stay-arm	DIN left	1	1	1	1	1	1	10	-	6-37474-00-L-1
		DIN right	1	1	1	1	1	1	10	-	6-37474-00-R-1
258	TU-ON+TI-ON stay-guide		1	1	1	1	1	1	10	-	6-37475-00-0-1
262	Pivot-rest 10/14+14/18	DIN left	1	1	1	1	1	1	10	-	6-37059-00-L-1
		DIN right	1	1	1	1	1	1	10	-	6-37059-00-R-1
	<b>Corner-hinge</b>	<b>DIN left</b>	<b>1</b>	<b>1</b>	<b>1</b>	<b>1</b>	<b>1</b>	<b>1</b>	<b>10</b>	<b>-</b>	<b>K-19471-00-L-1</b>
		<b>DIN right</b>	<b>1</b>	<b>1</b>	<b>1</b>	<b>1</b>	<b>1</b>	<b>1</b>	<b>10</b>	<b>-</b>	<b>K-19471-00-R-1</b>
264	Corner-hinge, pivot part	DIN left	1	1	1	1	1	1	-	1	6-37060-00-L-1
		DIN right	1	1	1	1	1	1	-	1	6-37060-00-R-1
265	Corner-hinge, adjustment part	DIN left	1	1	1	1	1	1	-	1	6-39285-00-L-1
		DIN right	1	1	1	1	1	1	-	1	6-39285-00-R-1
	<b>Turn-restrictor</b>		-	-	-	<b>1</b>	<b>1</b>	<b>1</b>	<b>10</b>	<b>-</b>	<b>K-19644-00-0-1</b>
270	Turn-restrictor		-	-	-	1	1	1	-	1	6-39547-00-0-1
271	Turn-restrictor, stopper		-	-	-	1	1	1	-	1	6-39548-00-0-0
273	Turn-restrictor, frame part		-	-	-	1	1	1	-	1	6-38875-00-0-1
275	Centre-closer, frame part		-	1	2	-	1	2	10	-	6-35845-09-0-1
276	Centre-closer, sash part, adjustable		-	1	2	-	1	2	10	-	6-38884-00-0-1
<b>Alternative for more stringent tightness requirements</b>											
278	TU-ON+TI-ON coupling part CD CL hinge-side *		-	1	1	-	1	1	1	-	6-37476-06-0-1

\* in combination with central locking system on the hinge side

# ALU-JET CC606 up to 150 kg sash weight

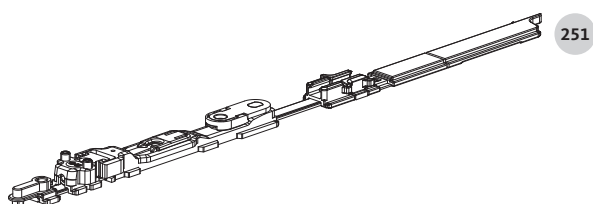
## Individual components



### T&T+TF stay-arm

Technical data	
Hinge-side type	concealed
Opening method	Tilt&Turn window   Tilt-First window
Finish	ferGUard*silver
Max. sash weight [kg]	150
Opening-angle [°]	90
Frame groove [mm]	10/14   12/15   14/18
Type of fixing	clampable
Installation tool	hexagon socket size 2.5
Adjusting tool	hexagon socket size 4

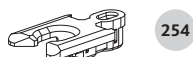
Min. sash width [mm]	Max. sash width [mm]	DIN side of hinges	PU	Order number
530	800	left	10	6-37470-00-L-1
		right	10	6-37470-00-R-1
801	1600	left	10	6-37471-00-L-1
		right	10	6-37471-00-R-1



### T&T+TF stay-guide

Technical data	
Hinge-side type	concealed
Opening method	Tilt&Turn window   Tilt-First window
Finish	ferGUard*silver
Type of fixing	clampable
Installation tool	hexagon socket size 2.5
Adjusting tool	hexagon socket size 4

Min. sash width [mm]	Max. sash width [mm]	DIN side of hinges	PU	Order number
530	800	left	10	6-37472-06-L-1
		right	10	6-37472-06-R-1
801	1600	left	10	6-37473-06-L-1
		right	10	6-37473-06-R-1



### Tilt-width limiter 180 -> 120 mm

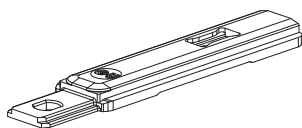
Technical data	
Hinge-side type	concealed
Opening method	Tilt&Turn window   Tilt-First window
DIN side of hinges	left   right
Finish	grey
Min. sash width [mm]	801
Max. sash width [mm]	1600
Installation tool	-

	PU	Order number
	10	9-48773-00-0-1



# ALU-JET CC606 up to 150 kg sash weight

## Individual components

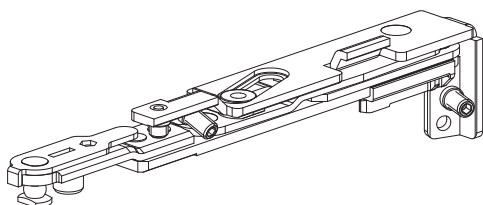


255

### T&T+TF connection corner-drive

Technical data	
Hinge-side type	concealed
Opening method	Tilt&Turn window   Tilt-First window
DIN side of hinges	left   right
Finish	ferGUard*silver
Min. sash width [mm]	500
Max. sash width [mm]	1600
Installation tool	-

	PU	Order number
	10	9-48772-00-0-1

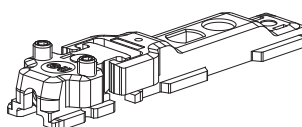


257

### TU-ON+TI-ON stay-arm

Technical data	
Hinge-side type	concealed
Opening method	Turn-Only window   Tilt-Only window   Dummy-mullion sash
Finish	ferGUard*silver
Max. sash weight [kg]	150
Opening-angle [°]	90
Frame groove [mm]	10/14   12/15   14/18
Min. sash width [mm]	235
Max. sash width [mm]	1600
Type of fixing	clampable
Installation tool	hexagon socket size 2.5
Adjusting tool	hexagon socket size 4

DIN side of hinges	PU	Order number
left	10	6-37474-00-L-1
right	10	6-37474-00-R-1



258

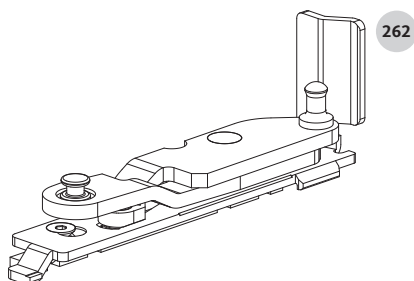
### TU-ON+TI-ON stay-guide

Technical data	
Hinge-side type	concealed
Opening method	Turn-Only window   Tilt-Only window   Dummy-mullion sash
Finish	ferGUard*silver
Min. sash width [mm]	235
Max. sash width [mm]	1600
DIN side of hinges	left   right
Type of fixing	clampable
Installation tool	hexagon socket size 2.5
Adjusting tool	hexagon socket size 4

	PU	Order number
	10	6-37475-00-0-1

# ALU-JET CC606 up to 150 kg sash weight

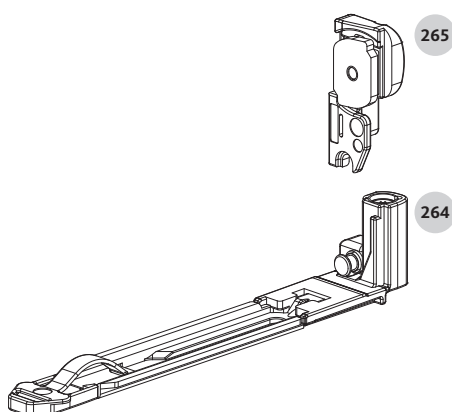
## Individual components



### Pivot-rest 10/14+14/18

Technical data	
Hinge-side type	concealed
Opening method	Tilt&Turn window   Tilt-First window   Turn-Only window   Dummy-mullion sash
Finish	ferGUard*silver
Min. sash width [mm]	235
Max. sash width [mm]	1600
Max. sash weight [kg]	150
Type of fixing	clampable
Installation tool	hexagon socket size 2.5
Adjusting tool	hexagon socket size 2.5

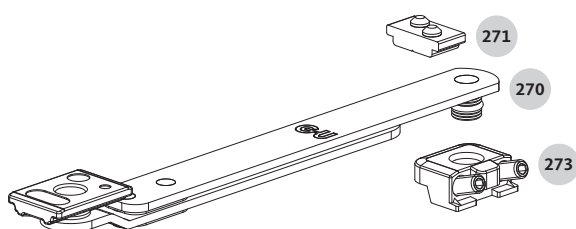
DIN side of hinges	PU	Order number
left	10	6-37059-00-L-1
right	10	6-37059-00-R-1



### Corner-hinge

Technical data	
Hinge-side type	concealed
Opening method	Tilt&Turn window   Tilt-First window   Turn-Only window   Dummy-mullion sash
Finish	ferGUard*silver
Min. sash width [mm]	235
Max. sash width [mm]	1600
Max. sash weight [kg]	150
Type of fixing	clampable
Installation tool	hexagon socket size 2.5
Adjusting tool	hexagon socket size 2.5   hexagon socket size 4

DIN side of hinges	PU	Order number
left	10	K-19471-00-L-1
right	10	K-19471-00-R-1



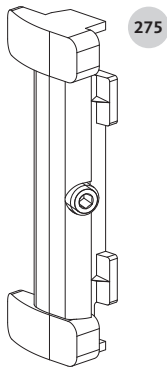
### Turn-restrictor

Technical data	
Opening method	Tilt&Turn window   Tilt-First window   Turn-Only window   Dummy-mullion sash
DIN side of hinges	left   right
Finish	ferGUard*silver
Frame groove [mm]	10/14   12/15   14/18
Max. sash width [mm]	1600
Type of fixing	clampable
Installation tool	hexagon socket size 2.5
Adjusting tool	hexagon socket size 2.5

	PU	Order number
	10	K-19644-00-0-1

# ALU-JET CC606 up to 150 kg sash weight

## Individual components

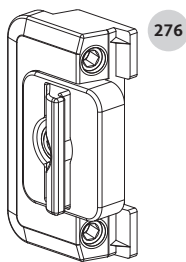


275

### Centre-closer, frame part

Technical data	
Hinge-side type	concealed
Opening method	Turn-Only window   Tilt-Only window   Dummy-mullion sash
DIN side of hinges	left   right
Finish	ferGUard*silver
Frame groove [mm]	10/14   12/15   14/18
Installation tool	hexagon socket size 2.5

	PU	Order number
	10	6-35845-09-0-1

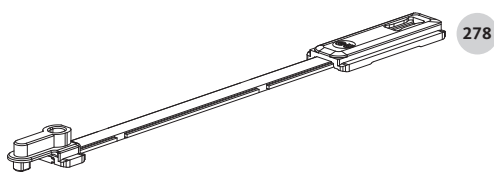


276

### Centre-closer, sash part, adjustable

Technical data	
Hinge-side type	concealed
Opening method	Turn-Only window   Tilt-Only window   Dummy-mullion sash
DIN side of hinges	left   right
Finish	ferGUard*silver
Installation tool	hexagon socket size 2.5
Adjusting tool	hexagon socket size 2.5

	PU	Order number
	10	6-38884-00-0-1



278

### TU-ON+TI-ON coupling part CD CL hinge-side

Technical data	
Hinge-side type	concealed
Opening method	Turn-Only window   Tilt-Only window   Dummy-mullion sash
DIN side of hinges	left   right
Finish	ferGUard*silver
Min. sash width [mm]	360
Max. sash width [mm]	1600
Installation tool	-

	PU	Order number
	1	6-37476-06-0-1





### Strikers

106

### T&T strikers and fanlight hinges

107

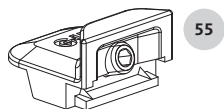
### Connecting-rod shoot-bolt strikers

108

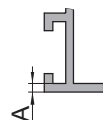
### Run-up block / clearance packer

109

# Strikers



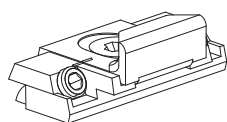
55



## Striker

Technical data	
Opening method	Tilt&Turn window   Tilt-First window   Turn-Only window   Tilt-Only window   Dummy-mullion sash
DIN side of hinges	left   right
Finish	ferGUard*silver
Frame groove [mm]	10/14   12/15   14/18
Type of fixing	clampable
Installation tool	hexagon socket size 2.5

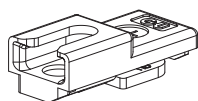
Frame groove dimension A min. [mm]	PU	Order number
2	100	6-37261-01-0-1
1.5	100	6-37261-02-0-1



## Adjustable striker

Technical data	
Opening method	Tilt&Turn window   Tilt-First window   Turn-Only window   Tilt-Only window   Dummy-mullion sash
DIN side of hinges	left   right
Finish	ferGUard*silver
Type of fixing	clampable
Installation tool	hexagon socket size 2.5
Adjusting tool	Philips PH2

Frame groove [mm]	PU	Order number
10/14	100	G-11065-00-0-1
12/15	100	G-11800-00-0-1
14/18	100	G-11071-00-0-1

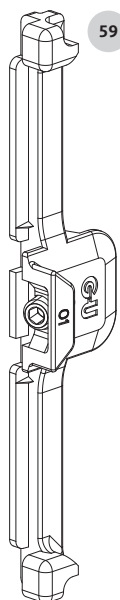


## Striker for LC-M

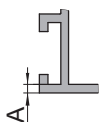
Technical data	
Opening method	Tilt&Turn window   Tilt-First window   Turn-Only window   Tilt-Only window   Dummy-mullion sash
DIN side of hinges	left   right
Finish	ferGUard*silver
Frame groove [mm]	14/18
Type of fixing	clampable   screw-on version
Installation tool	Philips PH2

	PU	Order number
	100	C-90279-00-0-1

# T&T strikers and fanlight hinges



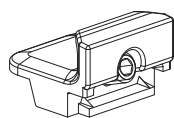
59



## T&T striker

Technical data	
Opening method	Tilt&Turn window   Turn-Only window
DIN side of hinges	left   right
Finish	ferGUard*silver
Frame groove [mm]	10/14   12/15   14/18
Type of fixing	clampable
Installation tool	hexagon socket size 2.5

Frame groove dimension A min. [mm]	PU	Order number
2	100	6-37272-01-0-1
1.5	100	6-37272-02-0-1

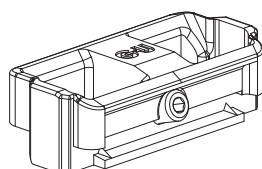


35

## TF striker

Technical data	
Opening method	Tilt-First window
DIN side of hinges	left   right
Finish	ferGUard*silver
Frame groove [mm]	10/14   12/15   14/18
Type of fixing	clampable
Installation tool	hexagon socket size 2.5

	PU	Order number
	100	6-38686-00-0-1



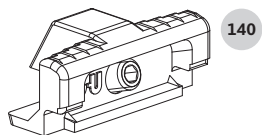
34

## T&T fanlight hinge

Technical data	
Opening method	Tilt&Turn window   Turn-Only window
DIN side of hinges	left   right
Finish	ferGUard*silver
Type of fixing	clampable
Installation tool	hexagon socket size 2.5

	PU	Order number
	100	6-37441-00-0-1

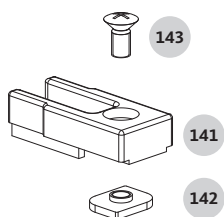
# Connecting-rod shoot-bolt strikers



## CR shoot-bolt striker

Technical data	
Opening method	Dummy-mullion sash
DIN side of hinges	left   right
Finish	ferGUard*silver
Frame groove [mm]	10/14   12/15   14/18
Type of fixing	clampable
Installation tool	hexagon socket size 2.5
Adjusting tool	hexagon socket size 2.5

	PU	Order number
	100	6-30961-00-0-1
+ 1.5 mm gasket pressure (compared to 6-30961-00-0)	100	G-19658-02-0-1
+ 3.0 mm gasket pressure (compared to 6-30961-00-0)	100	G-19658-03-0-1



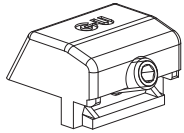
## TU-ON connecting-rod shoot-bolt striker set 14/18

Technical data	
Opening method	Turn-Only window
DIN side of hinges	left   right
Finish	grey
Frame groove [mm]	14/18
Type of fixing	clampable
Installation tool	Philips PH2

	PU	Order number
	10	K-15819-00-0-1



## Run-up block / clearance packer

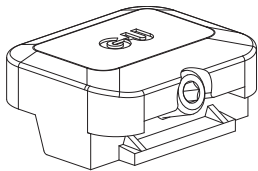


37

## Run-up block, frame

Technical data	
Opening method	Dummy-mullion sash
DIN side of hinges	left   right
Finish	grey
Frame groove [mm]	10/14   12/15   14/18
Type of fixing	clampable
Installation tool	hexagon socket size 2.5

	PU	Order number
	10	6-30998-00-0-1



36

## Run-up block, tilt corner-drive TF

Technical data	
Opening method	Tilt-First window   Dummy-mullion sash
DIN side of hinges	left   right
Finish	grey
Frame groove [mm]	10/14   12/15   14/18
Type of fixing	clampable
Installation tool	hexagon socket size 2.5

	PU	Order number
	10	6-38696-00-0-1





## Geared turn handles

SPACIO	112
SPACIO accessories	115
ADAGIO	116
ADAGIO accessories	117
Geared turn handles, accessories	118

---

## Turn handles

DIRIGENT	119
ADAGIO	120
MODENA	121
SOPRANO	122
BELCANTO	123
RONDO	124
TREMOLO	125

---

## Rosette-free turn handles

126

# Geared turn handles

SPACIO



## SPACIO geared turn handle

Technical data	
Opening method	Tilt&Turn window   Tilt-First window   Turn-Only window   Tilt-Only window
DIN side of hinges	left   right
Min. sash overlap height [mm]	7
Max. sash overlap height [mm]	12
Type of fixing	screw-on version
Installation tool	hexagon socket size 4

Hole pattern, distance between fastening points [mm]	Finish	PU	Order number
84   98	untreated	10	G-46551-00-0-0
	EV1, silver	10	G-46551-00-0-1
	dark bronze	10	G-46551-00-0-5
	black	10	G-46551-00-0-6
	traffic white	10	G-46551-00-0-7
96   104	untreated	10	G-46551-96-0-0
	EV1, silver	10	G-46551-96-0-1
	dark bronze	10	G-46551-96-0-5
	black	10	G-46551-96-0-6
	traffic white	10	G-46551-96-0-7
	special colour available on request	10	G-46551-96-0-9



## SPACIO geared turn handle, lockable

Technical data	
Version	lockable
Opening method	Tilt&Turn window   Tilt-First window   Turn-Only window   Tilt-Only window
DIN side of hinges	left   right
Min. sash overlap height [mm]	7
Max. sash overlap height [mm]	12
Installation tool	hexagon socket size 4

Hole pattern, distance between fastening points [mm]	Finish	PU	Order number
84   98	untreated	10	G-46553-00-0-0
	dark bronze	10	G-46553-00-0-5
	black	10	G-46553-00-0-6
	traffic white	10	G-46553-00-0-7
96   104	untreated	10	G-46553-96-0-0
	EV1, silver	10	G-46553-96-0-1
	dark bronze	10	G-46553-96-0-5
	black	10	G-46553-96-0-6
	traffic white	10	G-46553-96-0-7

# Geared turn handles

SPACIO



## SPACIO geared rosette

Technical data	
Opening method	Tilt&Turn window   Tilt-First window   Turn-Only window   Tilt-Only window
DIN side of hinges	left   right
Min. sash overlap height [mm]	7
Max. sash overlap height [mm]	12
Installation tool	hexagon socket size 4

Hole pattern, distance between fastening points [mm]	Finish	PU	Order number
84   98	untreated	10	G-46555-00-0-0
	EV1, silver	10	G-46555-00-0-1
	dark bronze	10	G-46555-00-0-5
	traffic white	10	G-46555-00-0-7
96   104	EV1, silver	10	G-46555-96-0-1
	black	10	G-46555-96-0-6



## SPACIO service handle

Technical data	
Version	in combination with geared rosette G-46555 and G-46556
Opening method	Tilt&Turn window   Tilt-First window   Turn-Only window   Tilt-Only window
DIN side of hinges	left   right
Finish	EV1, silver
Min. sash overlap height [mm]	7
Max. sash overlap height [mm]	12
Type of fixing	pluggable
Installation tool	-

PU	Order number
10	G-18888-00-0-1

# Geared turn handles

SPACIO



## SPACIO expansion gear handle DIN R

Technical data	
Opening method	Turn-Only window
DIN side of hinges	right
Min. sash overlap height [mm]	7
Max. sash overlap height [mm]	12
Installation tool	hexagon socket size 4

Hole pattern, distance between fastening points [mm]	Finish	PU	Order number
84   98	EV1, silver	10	G-46552-00-R-1
	dark bronze	10	G-46552-00-R-5
	black	10	G-46552-00-R-6
	white	10	G-46552-00-R-7T
96   104	untreated	10	G-46552-96-R-0
	EV1, silver	10	G-46552-96-R-1
	black	10	G-46552-96-R-6
	white	10	G-46552-96-R-7T



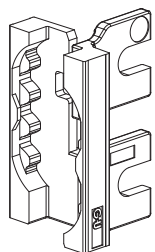
## SPACIO reserve-action service-rosette, DIN R

Technical data	
Opening method	Turn-Only window
DIN side of hinges	right
Min. sash overlap height [mm]	7
Max. sash overlap height [mm]	12
Installation tool	hexagon socket size 4

Hole pattern, distance between fastening points [mm]	Finish	PU	Order number
84   98	EV1, silver	10	G-46556-00-R-1
96   104	traffic white	10	G-46556-96-R-7

# Geared turn handles

## SPACIO accessories

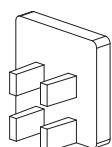


70

### SPACIO conversion set for expansion gear DIN L

Technical data	
Version	for reserve-action handle G-46552 and reserve-action service-rosette G-46556
Opening method	Turn-Only window
DIN side of hinges	left
Finish	untreated
Min. sash overlap height [mm]	7
Max. sash overlap height [mm]	12
Installation tool	-

	PU	Order number
	10	G-46550-00-L-1



68

### SPACIO 90° turn restrictor

Technical data	
Version	for geared turn handle G-46551, G-46553 and geared rosette G-46555
Opening method	Turn-Only window   Tilt-Only window
DIN side of hinges	left   right
Finish	black
Min. sash overlap height [mm]	7
Max. sash overlap height [mm]	23
Installation tool	-

	PU	Order number
	10	9-34612-00-0-6

# Geared turn handles

ADAGIO



## ADAGIO-A geared turn handle

Technical data	
Version	only in combination with ADAGIO-A carrier fork set K-15814 or ADAGIO-A connector set K-15815
Opening method	Tilt&Turn window   Tilt-First window   Turn-Only window   Tilt-Only window
DIN side of hinges	left   right
Hole pattern, distance between fastening points [mm]	104
Min. sash overlap height [mm]	7
Max. sash overlap height [mm]	12
Installation tool	-

Finish	PU	Order number
untreated	10	6-31723-00-0-0
EV1, silver	10	6-31723-00-0-1
black	10	6-31723-00-0-6
traffic white	10	6-31723-00-0-7
special colour available on request	10	6-31723-00-0-9



## ADAGIO-A geared turn handle, lockable

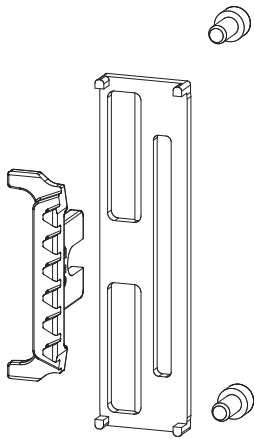
Technical data	
Version	only in combination with ADAGIO-A carrier fork set K-15814 or ADAGIO-A connector set K-15815
Opening method	Tilt&Turn window   Tilt-First window   Turn-Only window   Tilt-Only window
DIN side of hinges	left   right
Hole pattern, distance between fastening points [mm]	104
Min. sash overlap height [mm]	7
Max. sash overlap height [mm]	12
Installation tool	-

Finish	PU	Order number
EV1, silver	10	6-31724-00-0-1
black	10	6-31724-00-0-6
traffic white	10	6-31724-00-0-7



# Geared turn handles

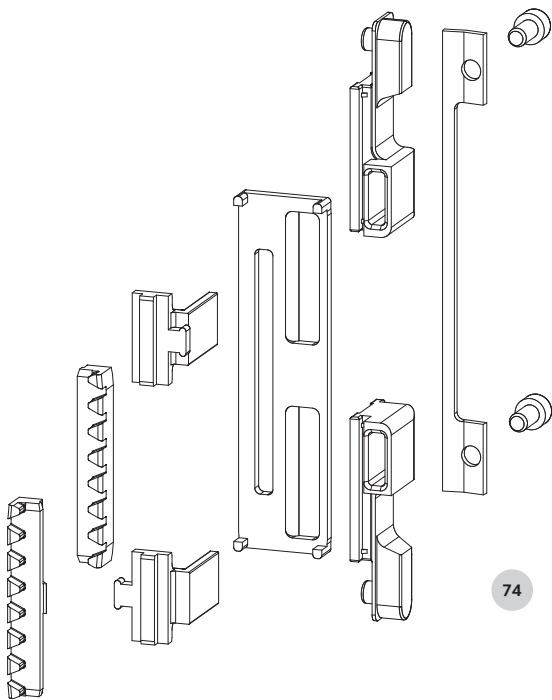
ADAGIO accessories



## ADAGIO-A carrier fork set

Technical data	
Opening method	Tilt&Turn window   Tilt-First window   Turn-Only window   Tilt-Only window
DIN side of hinges	left   right
Finish	ferGUard*silver
Min. sash overlap height [mm]	7
Max. sash overlap height [mm]	12
Type of fixing	screw-on version
Installation tool	hexagon socket size 4

	PU	Order number
	10	K-15814-00-0-1



## ADAGIO-A carrier fork set for reverse-action gear

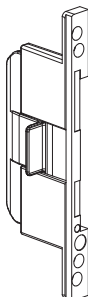
Technical data	
Opening method	Turn-Only window
DIN side of hinges	left   right
Finish	ferGUard*silver
Min. sash overlap height [mm]	7
Max. sash overlap height [mm]	12
Type of fixing	screw-on version
Installation tool	hexagon socket size 4

	PU	Order number
	10	K-15815-00-0-1

74

# Geared turn handles

## Geared turn handles, accessories



### Mishandling device

Technical data	
Opening method	Tilt&Turn window   Tilt-First window
DIN side of hinges	left   right
Finish	ferGUard*silver
Min. sash overlap height [mm]	7
Max. sash overlap height [mm]	10.5
Installation tool	-

Hole pattern, distance between fastening points [mm]	PU	Order number
84   98	10	6-31065-10-0-1
96   104	10	6-31065-40-0-1



150

### Packer plate for GTH

Technical data	
Version	for reinforcement of sash overlap   2 pcs required per geared turn handle
Opening method	Tilt&Turn window   Tilt-First window   Turn-Only window   Tilt-Only window
DIN side of hinges	left   right
Finish	stainless steel
Min. sash overlap height [mm]	7
Max. sash overlap height [mm]	23
Hole pattern, distance between fastening points [mm]	84   96   98   104
Installation tool	-

	PU	Order number
	100	9-50091-00-0-8



### Packer plate for geared turn handle HP 104

Technical data	
Version	for reinforcement of sash overlap
Opening method	Tilt&Turn window   Tilt-First window   Turn-Only window   Tilt-Only window
DIN side of hinges	left   right
Finish	stainless steel
Min. sash overlap height [mm]	7
Max. sash overlap height [mm]	23
Hole pattern, distance between fastening points [mm]	104
Installation tool	-

	PU	Order number
	100	9-41506-00-0-8

# Turn handles

## DIRIGENT



### DIRIGENT-F turn handle

Technical data	
Opening method	Tilt&Turn window   Tilt-First window   Turn-Only window   Tilt-Only window
DIN side of hinges	left   right
Hole pattern, distance between fastening points [mm]	43
Width of square spindle [mm]	7
Length of square spindle [mm]	25

Finish	PU	Order number
EV1, silver	10	6-28072-25-0-11
black	10	6-28072-25-0-6
traffic white	10	6-28072-25-0-7



### DIRIGENT Tilt-First turn handle, lockable

Technical data	
Opening method	Tilt-First window
DIN side of hinges	left   right
Hole pattern, distance between fastening points [mm]	43
Width of square spindle [mm]	7
Length of square spindle [mm]	29

Finish	PU	Order number
EV1, silver	10	6-31557-29-0-11
dark brown	10	6-31557-29-0-5
traffic white	10	6-31557-29-0-7

# Turn handles

## ADAGIO



### ADAGIO-F turn handle

Technical data	
Opening method	Tilt&Turn window   Tilt-First window   Turn-Only window   Tilt-Only window
DIN side of hinges	left   right
Hole pattern, distance between fastening points [mm]	43
Width of square spindle [mm]	7

Finish	Length of square spindle [mm]	PU	Order number
traffic white	29	10	6-29548-29-0-7
EV1, silver	33	10	6-29548-33-0-11
traffic white		10	6-29548-33-0-7



### ADAGIO-F/Z turn handle, lockable

Technical data	
Opening method	Tilt&Turn window   Tilt-First window   Turn-Only window   Tilt-Only window
DIN side of hinges	left   right
Hole pattern, distance between fastening points [mm]	43
Finish	traffic white
Width of square spindle [mm]	7
Length of square spindle [mm]	33

PU	Order number
10	6-29549-33-0-7

# Turn handles

## MODENA



### MODENA-F turn handle

Technical data	
Opening method	Tilt&Turn window   Tilt-First window   Turn-Only window   Tilt-Only window
DIN side of hinges	left   right
Hole pattern, distance between fastening points [mm]	43
Width of square spindle [mm]	7

Finish	Length of square spindle [mm]	PU	Order number
EV1, silver	29	10	6-31977-29-0-11
traffic white	33	10	6-31977-33-0-7



### MODENA-F/Z turn handle, lockable

Technical data	
Opening method	Tilt&Turn window   Tilt-First window   Turn-Only window   Tilt-Only window
DIN side of hinges	left   right
Hole pattern, distance between fastening points [mm]	43
Width of square spindle [mm]	7

Finish	Length of square spindle [mm]	PU	Order number
EV1, silver	29	10	6-31978-29-0-11
traffic white	38	10	6-31978-38-0-7



### MODENA-F/Z turn handle, lockable 100 Nm

Technical data	
Opening method	Tilt&Turn window   Tilt-First window   Turn-Only window   Tilt-Only window
DIN side of hinges	left   right
Hole pattern, distance between fastening points [mm]	43
Resistance class	RC2   RC3
Width of square spindle [mm]	7
Length of square spindle [mm]	29

Finish	PU	Order number
EV1, silver	10	6-34397-29-0-1
traffic white	10	6-34397-29-0-7

# Turn handles

## SOPRANO



### SOPRANO-F turn handle

Technical data	
Opening method	Tilt&Turn window   Tilt-First window   Turn-Only window   Tilt-Only window
DIN side of hinges	left   right
Hole pattern, distance between fastening points [mm]	43
Width of square spindle [mm]	7
Length of square spindle [mm]	33

Finish	PU	Order number
EV1, silver	10	U-71984-33-0-11
traffic white	10	U-71984-33-0-7



### SOPRANO-F/Z turn handle, lockable

Technical data	
Opening method	Tilt&Turn window   Tilt-First window   Turn-Only window   Tilt-Only window
DIN side of hinges	left   right
Hole pattern, distance between fastening points [mm]	43
Finish	traffic white
Width of square spindle [mm]	7
Length of square spindle [mm]	33

	PU	Order number
	10	U-71987-33-0-7

# Turn handles

## BELCANTO



### BELCANTO turn handle

Technical data	
Opening method	Tilt&Turn window   Tilt-First window   Turn-Only window   Tilt-Only window
DIN side of hinges	left   right
Hole pattern, distance between fastening points [mm]	43
Finish	matt stainless steel
Width of square spindle [mm]	7
Length of square spindle [mm]	29

	PU	Order number
	1	B-78820-0W-0-8



### BELCANTO turn handle, lockable, 100 Nm

Technical data	
Opening method	Tilt&Turn window   Tilt-First window   Turn-Only window   Tilt-Only window
DIN side of hinges	left   right
Hole pattern, distance between fastening points [mm]	43
Finish	matt stainless steel
Width of square spindle [mm]	7
Length of square spindle [mm]	29

	PU	Order number
	1	B-78820-10-0-8



### BELCANTO Tilt-First turn handle, lockable

Technical data	
Opening method	Tilt-First window
DIN side of hinges	left   right
Hole pattern, distance between fastening points [mm]	43
Finish	matt stainless steel
Width of square spindle [mm]	7
Length of square spindle [mm]	29

	PU	Order number
	1	B-78820-14-0-8

# Turn handles

## RONDO



### RONDO turn handle

Technical data	
Opening method	Tilt&Turn window   Tilt-First window   Turn-Only window   Tilt-Only window
DIN side of hinges	left   right
Hole pattern, distance between fastening points [mm]	43
Finish	matt stainless steel
Width of square spindle [mm]	7
Length of square spindle [mm]	29

	PU	Order number
	1	B-78820-18-0-8



### RONDO turn handle, lockable, 100 Nm

Technical data	
Opening method	Tilt&Turn window   Tilt-First window   Turn-Only window   Tilt-Only window
DIN side of hinges	left   right
Hole pattern, distance between fastening points [mm]	43
Finish	matt stainless steel
Width of square spindle [mm]	7
Length of square spindle [mm]	29

	PU	Order number
	1	B-78820-22-0-8



### RONDO Tilt-First turn handle, lockable

Technical data	
Opening method	Tilt-First window
DIN side of hinges	left   right
Hole pattern, distance between fastening points [mm]	43
Finish	matt stainless steel
Width of square spindle [mm]	7
Length of square spindle [mm]	29

	PU	Order number
	1	B-78820-26-0-8



# Turn handles

## TREMOLO



### TREMOLO turn handle

Technical data	
Opening method	Tilt&Turn window   Tilt-First window   Turn-Only window   Tilt-Only window
DIN side of hinges	left   right
Hole pattern, distance between fastening points [mm]	43
Finish	matt stainless steel
Width of square spindle [mm]	7
Length of square spindle [mm]	29

	PU	Order number
	1	B-78820-30-0-8



### TREMOLO turn handle, lockable, 100 Nm

Technical data	
Opening method	Tilt&Turn window   Tilt-First window   Turn-Only window   Tilt-Only window
DIN side of hinges	left   right
Hole pattern, distance between fastening points [mm]	43
Finish	matt stainless steel
Width of square spindle [mm]	7
Length of square spindle [mm]	29

	PU	Order number
	1	B-78820-34-0-8



### TREMOLO Tilt-First turn handle, lockable

Technical data	
Opening method	Tilt-First window
DIN side of hinges	left   right
Hole pattern, distance between fastening points [mm]	43
Finish	matt stainless steel
Width of square spindle [mm]	7
Length of square spindle [mm]	29

	PU	Order number
	1	B-78820-38-0-8

# Rosette-free turn handles



## Rosette-free turn handle

Technical data	
Version	can only be used with insertable gear K-20050
Opening method	Tilt&Turn window   Tilt-First window   Turn-Only window   Tilt-Only window
DIN side of hinges	left   right
Hole pattern, distance between fastening points [mm]	17
Finish	EV1, silver
Min. sash overlap height [mm]	7
Max. sash overlap height [mm]	12
Installation tool	hexagon socket size 3

	PU	Order number
	10	6-40186-00-0-1



## Rosette-free turn handle, lockable

Technical data	
Version	can only be used with insertable gear K-20050
Opening method	Tilt&Turn window   Tilt-First window   Turn-Only window   Tilt-Only window
DIN side of hinges	left   right
Hole pattern, distance between fastening points [mm]	17
Finish	EV1, silver
Min. sash overlap height [mm]	7
Max. sash overlap height [mm]	12
Installation tool	hexagon socket size 3

	PU	Order number
	10	K-20048-00-0-1



## Rosette-free Tilt-First turn handle, lockable

Technical data	
Version	can only be used with insertable gear K-20050
Opening method	Tilt-First window
Hole pattern, distance between fastening points [mm]	17
Finish	EV1, silver
Min. sash overlap height [mm]	7
Max. sash overlap height [mm]	12
Installation tool	hexagon socket size 3

DIN side of hinges	PU	Order number
left	10	K-20049-00-L-1
right	10	K-20049-00-R-1







### Limiting stays

130

### Turn blockers

132

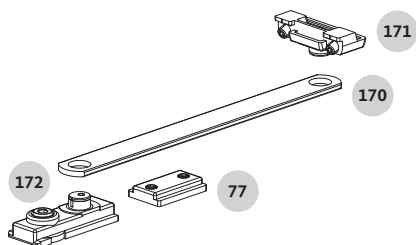
### Bullet-catch

133

### Mounting tools

Adjusting tool	134
Drilling and milling jig	135
Punch / positioning jig	137

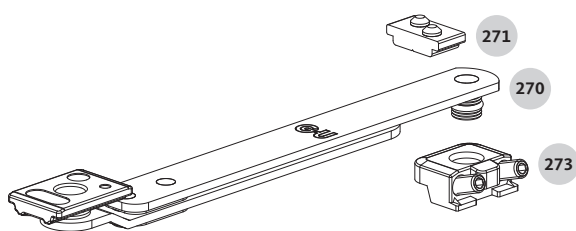
# Limiting stays



## Limiting stay set with brake

Technical data	
Opening method	Tilt&Turn window   Tilt-First window   Turn-Only window   Tilt-Only window   Dummy-mullion sash
DIN side of hinges	left   right
Finish	ferGUard*silver
Frame groove [mm]	10/14   12/15   14/18
Type of fixing	clampable
Installation tool	hexagon socket size 2.5
Adjusting tool	hexagon socket size 2.5   hexagon socket size 4

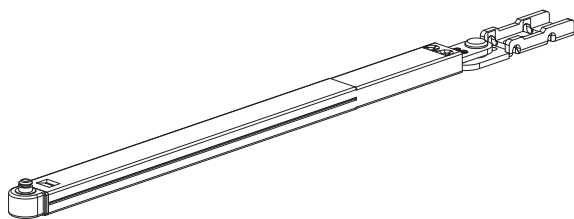
Version	PU	Order number
Stay arm length 150 mm	10	K-17138-15-0-1
Stay arm length 250 mm	10	K-17138-25-0-1



## Turn-restrictor

Technical data	
Opening method	Tilt&Turn window   Tilt-First window   Turn-Only window   Dummy-mullion sash
DIN side of hinges	left   right
Finish	ferGUard*silver
Frame groove [mm]	10/14   12/15   14/18
Max. sash width [mm]	1600
Type of fixing	clampable
Installation tool	hexagon socket size 2.5
Adjusting tool	hexagon socket size 2.5

	PU	Order number
	10	K-19644-00-0-1

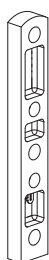
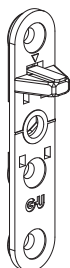


## EGO-FL window friction stay

Technical data	
Version	only in combination with EURO-SOLID accessories set / EGO-B/-FL K-14686
Opening method	Tilt&Turn window   Tilt-First window   Turn-Only window   Dummy-mullion sash
DIN side of hinges	left   right
Finish	stainless steel
Frame groove [mm]	10/14   12/15   14/18
Type of fixing	screw-on version
Installation tool	-

Min. sash width [mm]	Max. sash width [mm]	PU	Order number
500	750	10	6-28730-01-0-8
751	1700	10	6-28730-00-0-8

# Limiting stays

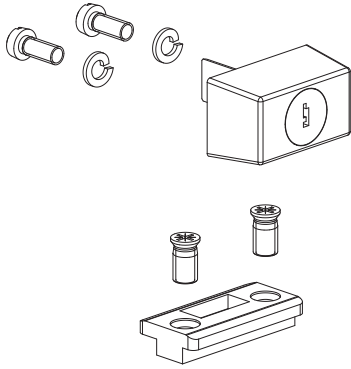


## Accessories set for EURO-SOLID / EGO-B/-FL

Technical data	
Opening method	Tilt&Turn window   Tilt-First window   Turn-Only window   Tilt-Only window   Dummy-mullion sash
DIN side of hinges	left   right
Finish	ferGUard*silver
Frame groove [mm]	10/14   12/15   14/18
Type of fixing	screw-on version
Installation tool	-

	PU	Order number
	10	K-14686-00-0-1

# Turn blockers



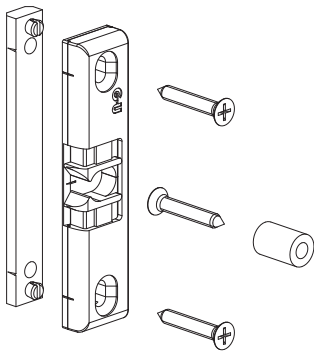
## Turn blocker set, aluminium

Technical data	
Version	surface-mounted   with key
Opening method	Tilt&Turn window   Tilt-First window
DIN side of hinges	left   right
Min. sash overlap height [mm]	7.5
Max. sash overlap height [mm]	8.5
Frame groove [mm]	10/14   12/15   14/18
Type of fixing	screw-on version
Installation tool	Philips PZ2   slot

Finish	PU	Order number
EV1, silver	10	K-12968-00-0-1
dark bronze	10	K-12968-00-0-5
traffic white	10	K-12968-00-0-7
special colour available on request	10	K-12968-00-0-9



# Bullet-catches



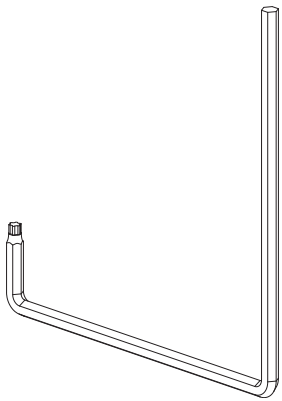
## Bullet-catch set

Technical data	
Opening method	Tilt&Turn window   Tilt-First window   Turn-Only window
DIN side of hinges	left   right
Frame groove [mm]	10/14   12/15   14/18
Finish	ferGUard*silver
Type of fixing	screw-on version
Installation tool	Philips PH2

	PU	Order number
	10	K-12962-00-0-1

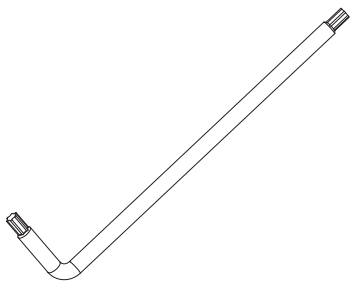
# Mounting tools

## Adjusting tool



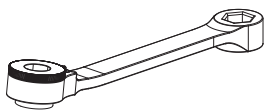
Hexagon key size 4

	PU	Order number
	1	9-43631-64-0-6



Hexalobular key L-shaped T15

	PU	Order number
	1	9-42886-00-0-0



Switchable ratchet (90 mm without bits)

	PU	Order number
	1	H-00821-00-0-0



Bit size 4

	PU	Order number
	1	H-01501-50-0-0

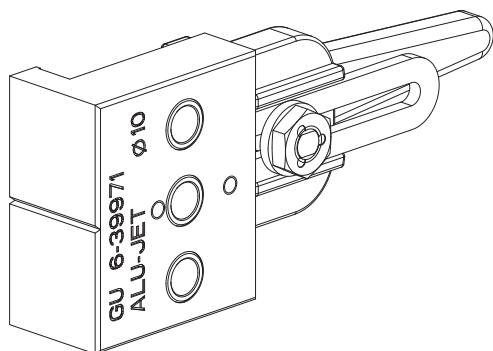


Bit T15

	PU	Order number
	1	H-00822-15-0-0

# Mounting tools

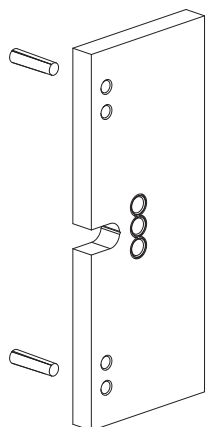
## Drilling and milling jig



### Drilling jig for insertable gear

Technical data	
Version	for insertable gear 6-39384 and 6-39385
Finish	black

	PU	Order number
	1	6-39971-00-0-6



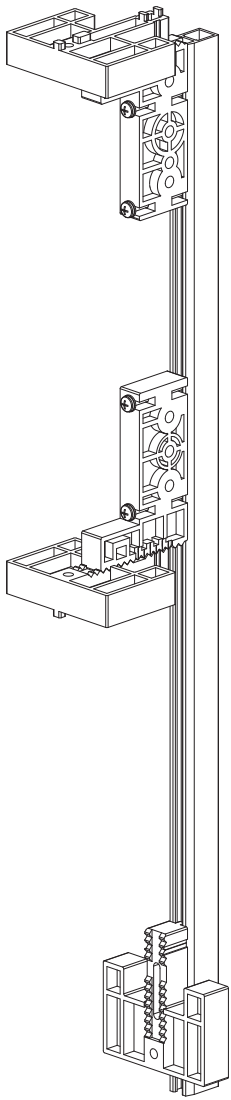
### Drilling jig for insertable gear, rosette-free handle

Technical data	
Version	for insertable gear K-20050-00-0-1
Finish	EV1, silver

	PU	Order number
	1	K-20051-00-0-1

# Mounting tools

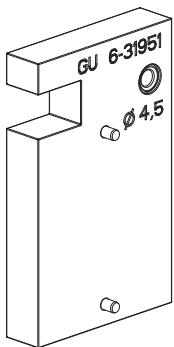
## Drilling and milling jig



### Drilling jig for insertable gear and centre-lock

Technical data	
Version	for insertable gear 6-25916, 6-25917 and centre-lock 6-25918
Finish	blue

	PU	Order number
	1	6-26191-00-0-2



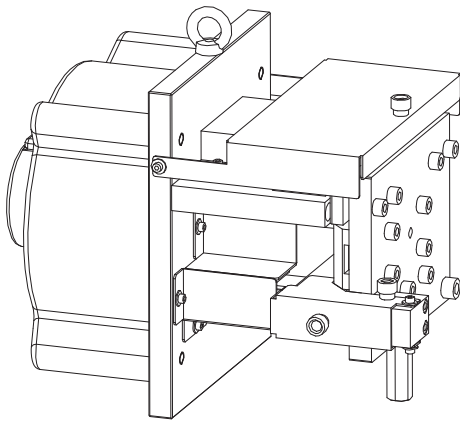
### Drilling / mounting jig, stay-bearing support

Technical data	
Version	for stay-bearing support 9-41710 from set of additional parts for hinge-side K-16595
Finish	black

	PU	Order number
	1	6-31951-00-0-6

# Mounting tools

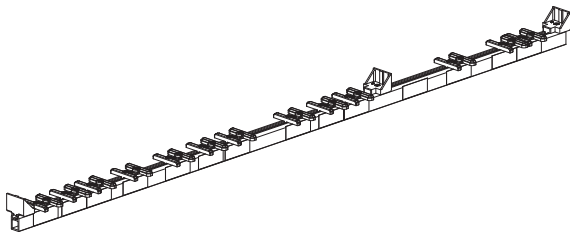
## Punch / positioning jig



### Pneumatic punch for profile machining

Technical data	
Version	for geared turn handle punching (HP 104), opening the connecting rod channel and punching of ALU-JET 06 connecting rod (Ø 6 mm)
Diameter of hole/engagement pin [mm]	6

	PU	Order number
	1	6-31957-00-0-0



### Positioning jig for strikers

Technical data	
Finish	blue   yellow

Version	PU	Order number
for strikers up to SH/SW 1200	1	6-39879-01-0-1
for strikers from SH/SW 1201	1	6-39879-03-0-1





## List of abbreviations / Definition of terms

140

## Installation dimensions and space requirement

Central locking system	142
Hinge-sides	143
Central locking dummy-mullion sash with central locking system in the sash groove (ST-FLN)	144
Central locking dummy-mullion sash with central locking system in the double C groove (ST-DCN)	145

## Adjustment options ALU-JET 606

Surface-mounted hinge-sides	146
-----------------------------	-----

## Adjustment options ALU-JET CC606

Concealed hinge-sides	147
-----------------------	-----

## Application diagram ALU-JET 606

Tilt&Turn/Tilt-First/Turn-Only windows – without additional parts	148
Tilt&Turn/Tilt-First/Turn-Only windows – with set of additional parts, hinge-side	149

## Application diagram ALU-JET CC606

Tilt&Turn/Tilt-First/Turn-Only windows	150
--	-----

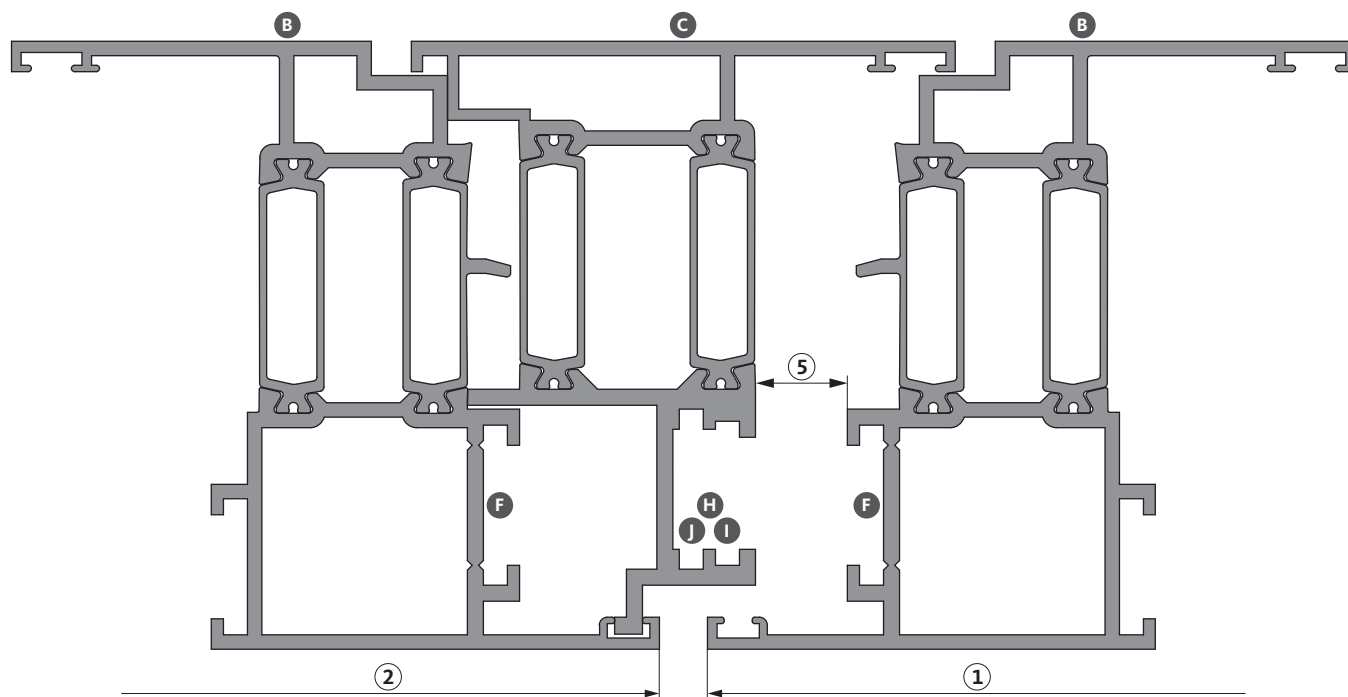
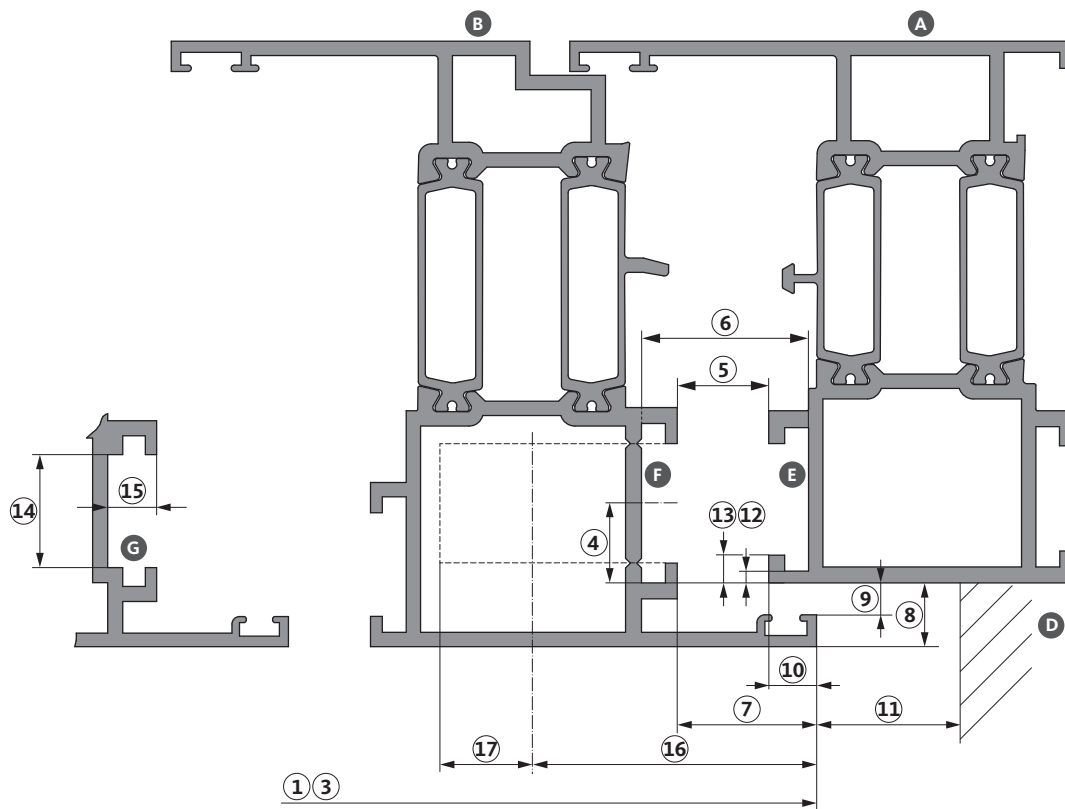
## Documentation

151

## Exclusion of liability/Copyright notice/Image credits

155

# List of abbreviations / Definition of terms





# List of abbreviations / Definition of terms



Dimensions		
①	Sash width	SW
②	Dummy-mullion sash width	SW2
③	Sash height	SH
④	Axis	AX
⑤	Clearance	CL
⑥	Clearance	CL
⑦	Overlap width	OW
⑧	Overlap height	OH
⑨	Hinge-passage	HI-PA
⑩	Overlap coverage	OC
⑪	Free space on frame	FSOF
⑫	Frame groove dimension A	A
⑬	Frame groove dimension B	B
⑭	Groove width with deep Euro-groove 15/20	W-DG
⑮	Groove depth with deep Euro-groove 15/20	D-DG
⑯	Backset (for insertable gears)	BS
⑰	Clearance behind backset (for insertable gears)	CBB

Designations	
A	Frame profile
B	Sash profile
C	Dummy-mullion profile
D	Reveal
E	Frame groove (versions 10/14, 12/15, 14/18)
F	Euro-groove 15/20 (connecting-rod groove)
G	Recessed Euro-groove 15/20 (deepened connecting-rod groove)
H	Double C groove of the dummy-mullion profile
I	Striker groove (with double C groove)
J	Central locking groove (with double C groove)

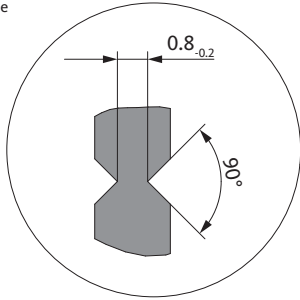
List of abbreviations	
AX	Axis
BS	Backset (for insertable gears)
CBB	Clearance behind backset (for insertable gears)
C-C	Centre-closer
CD	Corner-drive
CL	Clearance
C-L	Centre-lock
GTH	Geared turn handle
HH	Handle height
HI-PA	Hinge-passage
HLOG	Height of lever-operated gear
HP	Hole pattern (for geared turn handle)
IG	Insertable gear
LC-M	Mushroom locking cam
M.D.	Mishandling device
OH	Overlap height
OW	Overlap width
PU	Packing unit
RC	Resistance Class according to EN 1627
SB	Shoot-bolt protrusion
SH	Sash height
ST	Dummy-mullion sash
ST-DCN	Dummy-mullion sash with central locking system in the double C groove of the dummy-mullion profile
ST-FLN	Dummy-mullion sash with central locking system in the sash groove
ST-FLN1	Dummy-mullion sash with central locking system in the sash groove, installation variant 1
ST-FLN2	Dummy-mullion sash with central locking system in the sash groove, installation variant 2
SW	Sash width (of the active sash with 2-sash windows)
SW2	Dummy-mullion sash width
T&T	Tilt&Turn
TF	Tilt-First
TI-ON	Tilt-Only window
TU-ON	Turn-Only window

# Installation dimensions and space requirement

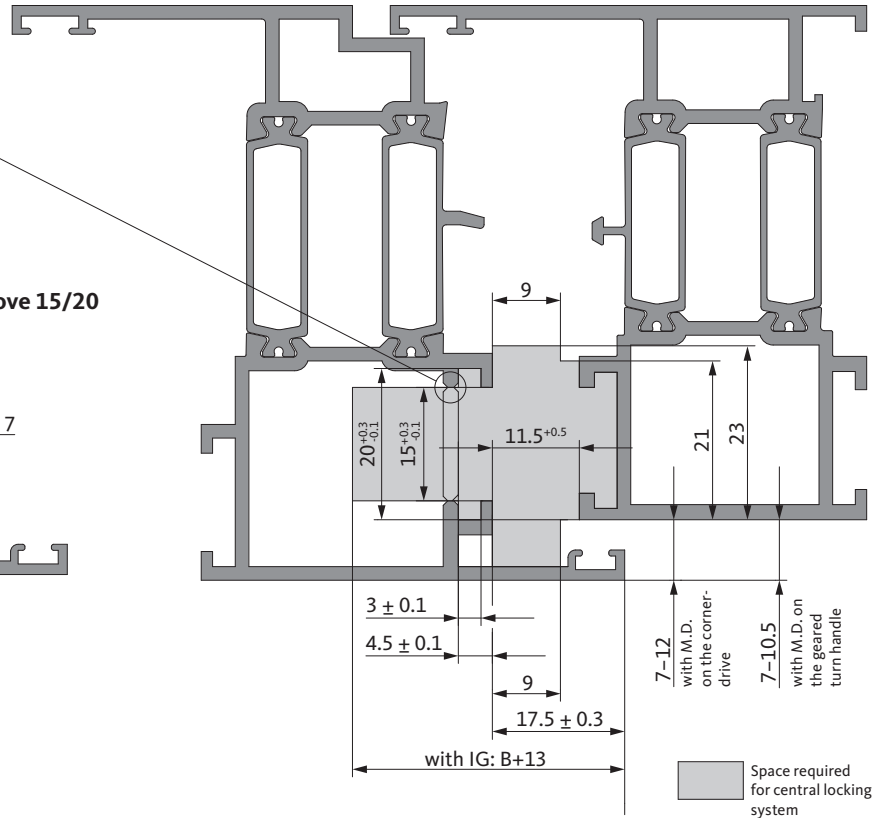
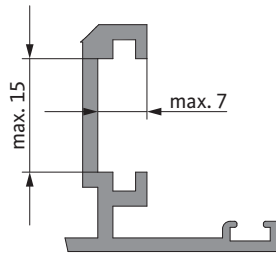
## Central locking system



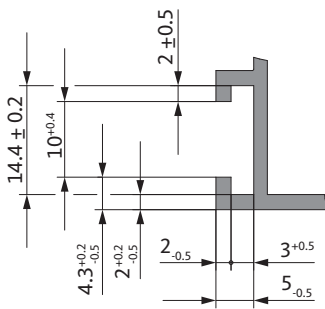
Required if the profile is machined for IG using punches.



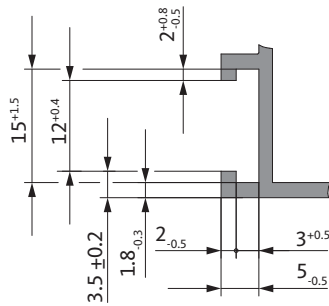
Recessed Euro-groove 15/20



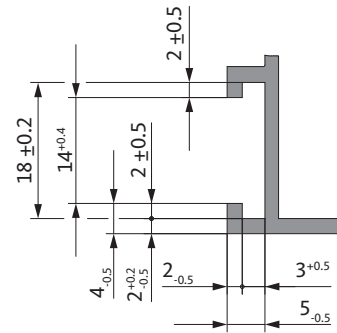
Frame groove 10/14



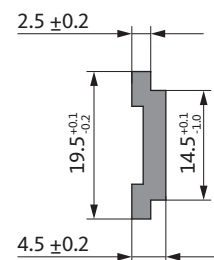
Frame groove 12/15



Frame groove 14/18

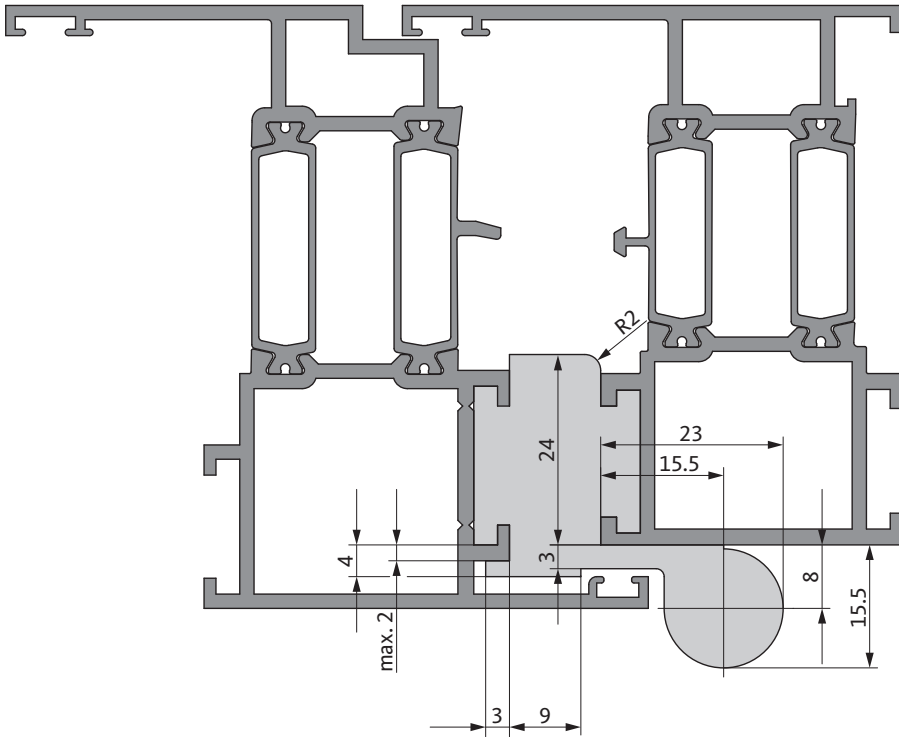


Connecting rod

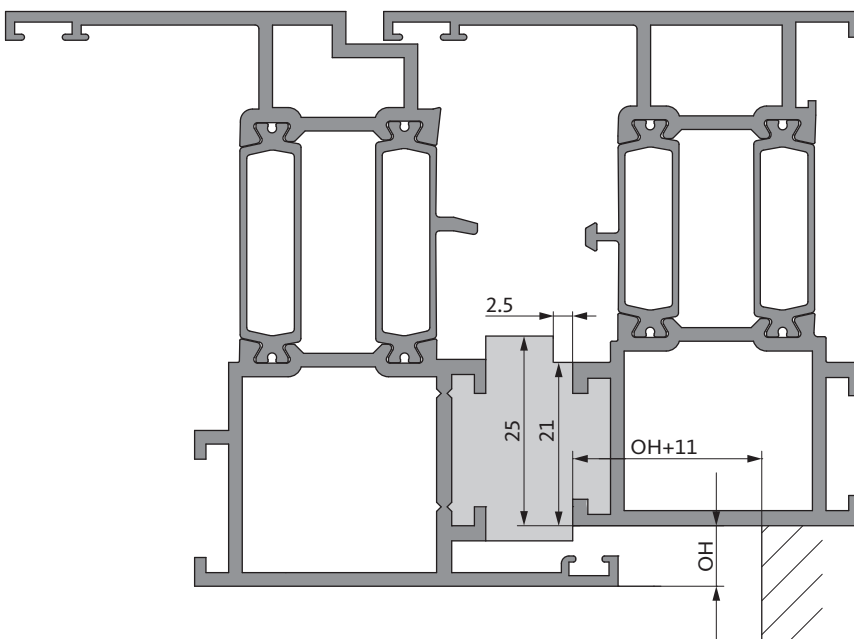


# Installation dimensions and space requirement

## Hinge-sides



Required space on hinge-side 606



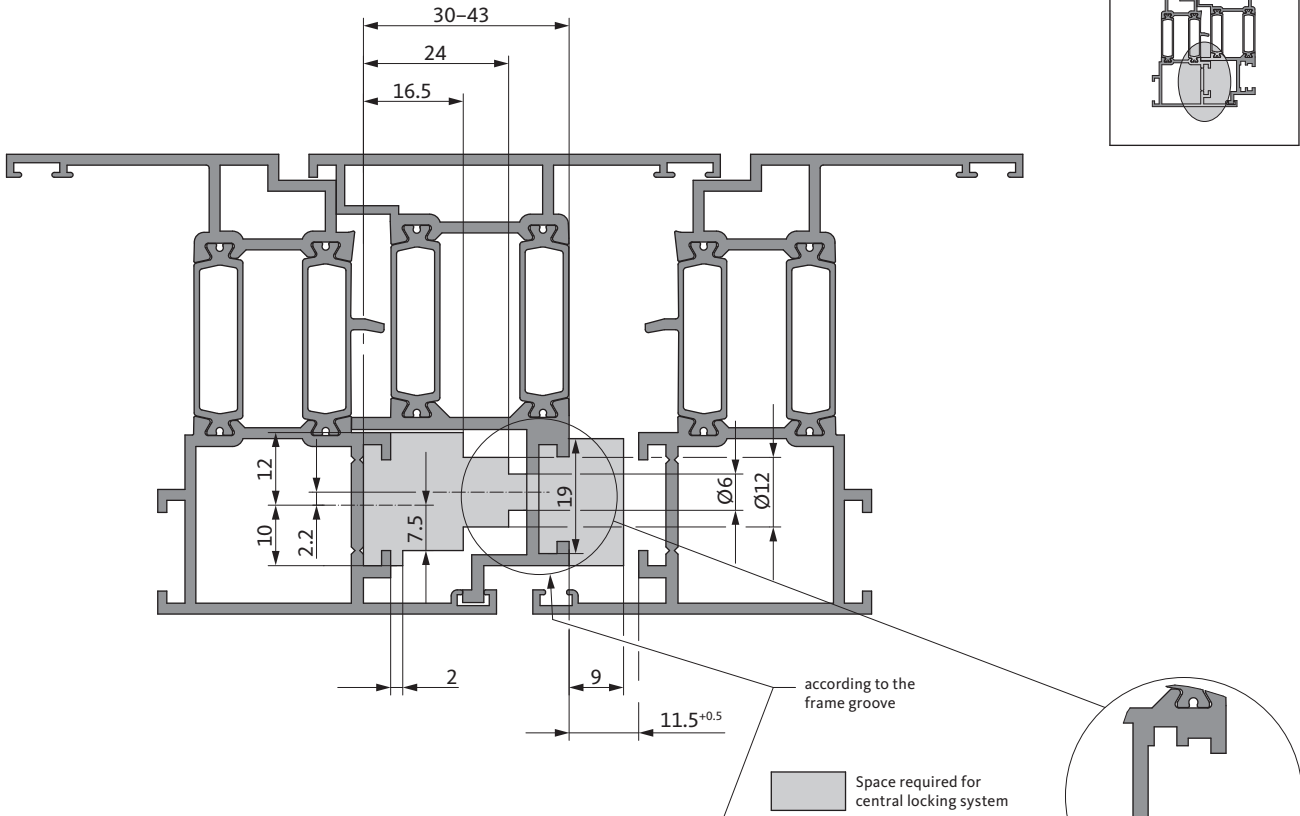
Required space on hinge-side CC606

# Installation dimensions and space requirement

Central locking dummy-mullion sash  
with central locking system in the sash groove (ST-FLN)

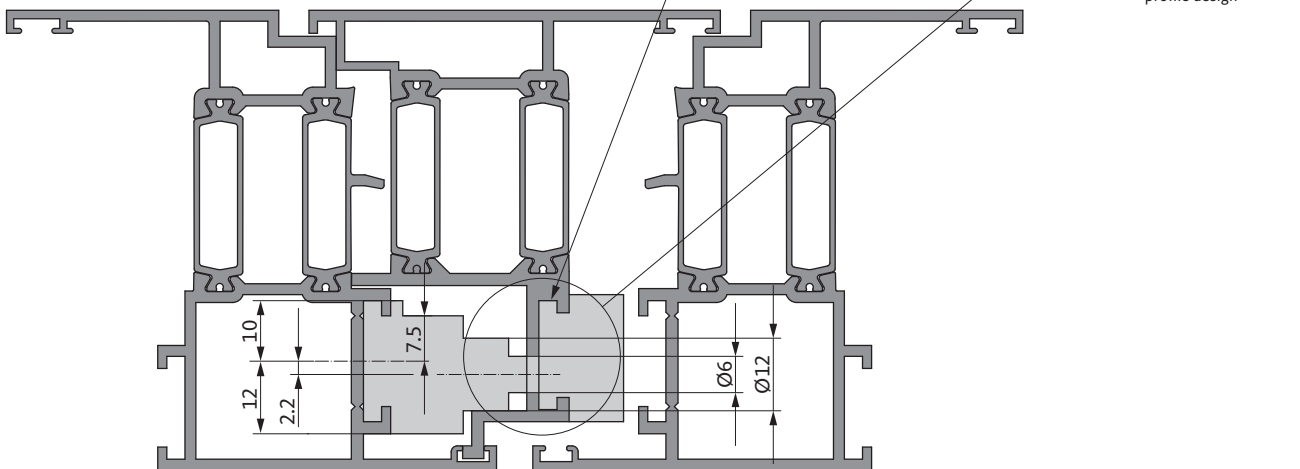


## ST-FLN1



## ST-FLN2

For dimensions not shown see section above



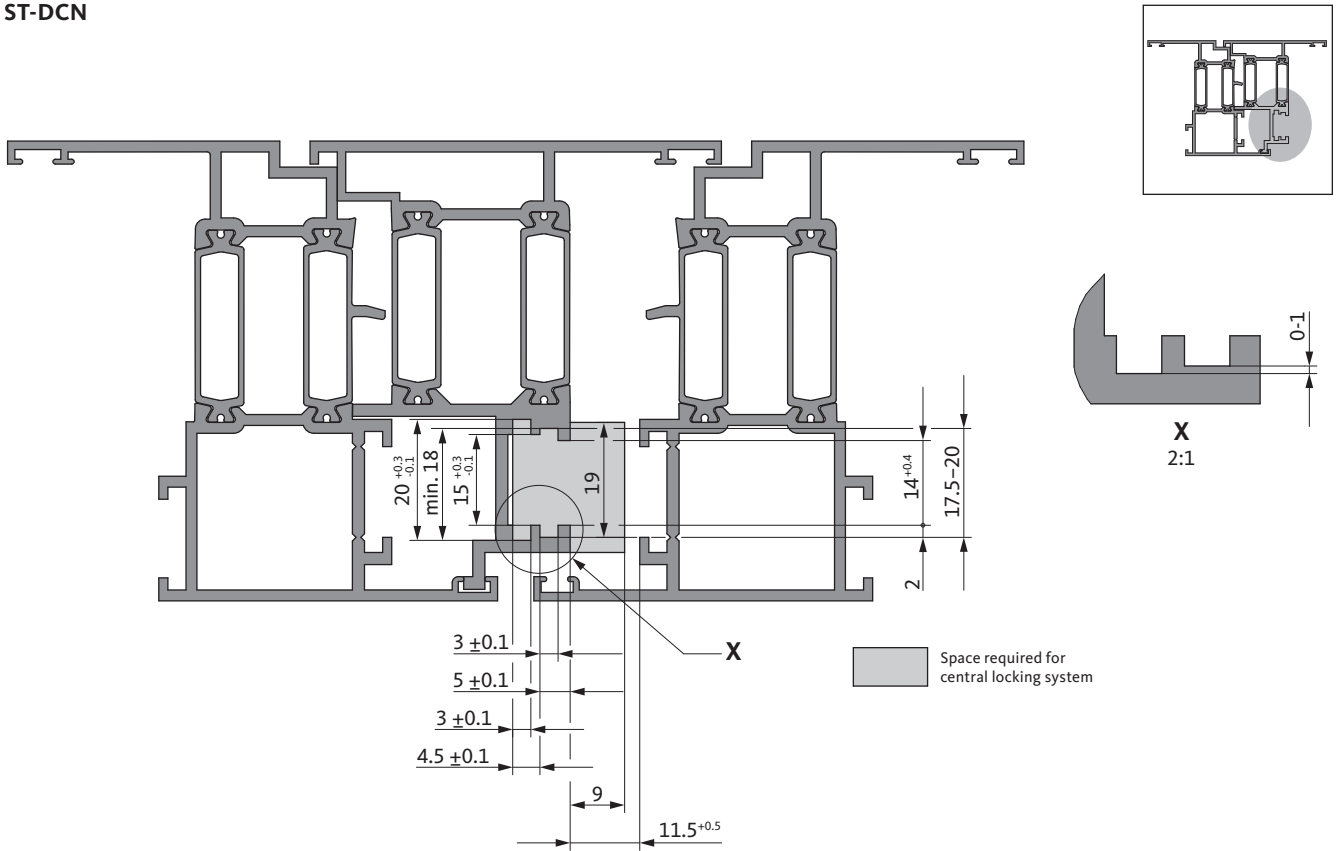
# Installation dimensions and space requirement



Central locking dummy-mullion sash  
with central locking system in the double C groove (ST-DCN)

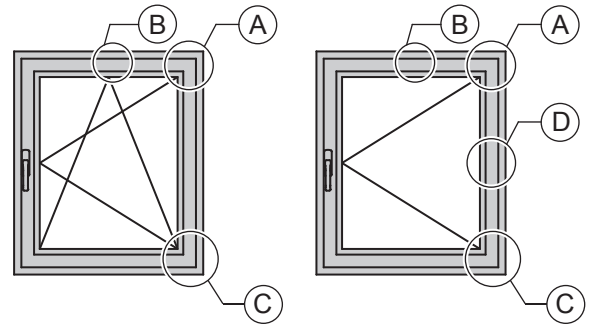


ST-DCN

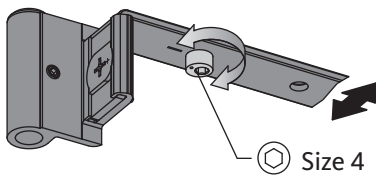


# ALU-JET 606 adjustment options

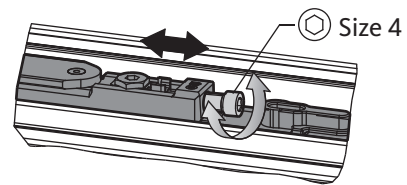
## Surface-mounted hinge-sides



**A** Gasket pressure adjustment  
±1 mm



**B** Horizontal adjustment  
±3 mm



**C**

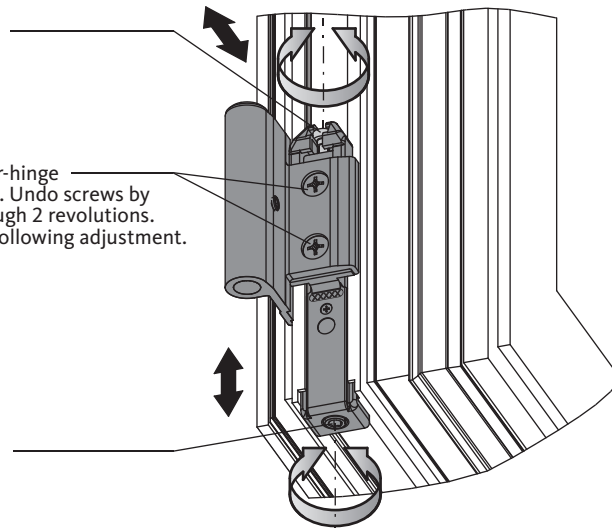
Size 2.5  
Horizontal  
adjustment  
±1 mm



Fully relieve corner-hinge  
before adjustment. Undo screws by  
turning them through 2 revolutions.  
Retighten screws following adjustment.

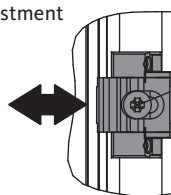
PH2  
3.5 Nm

Size 4  
Vertical  
adjustment  
+2.5 mm  
-1 mm



**D**

Gasket pressure adjustment  
+2 mm  
-1 mm



Undo screw to adjust.  
Retighten screw following adjustment.

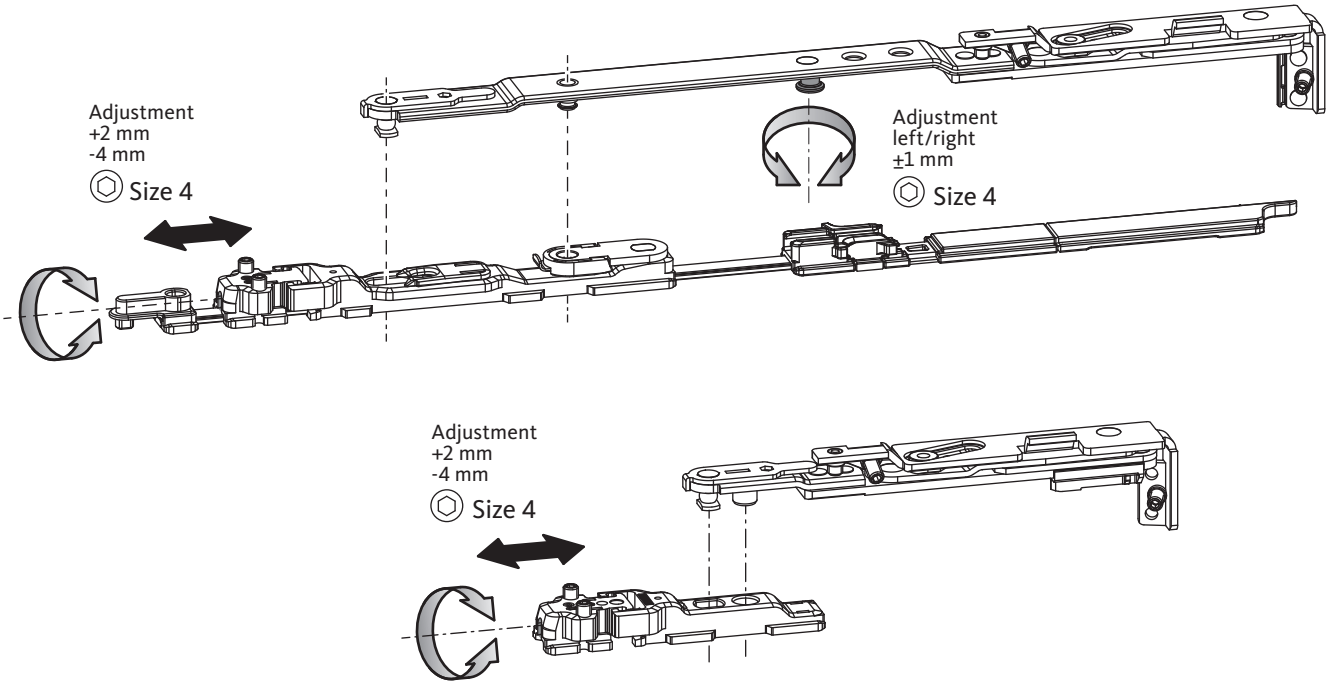
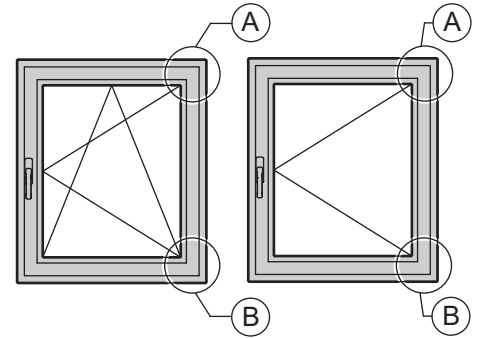
PH2  
2 Nm

# ALU-JET CC606 adjustment options

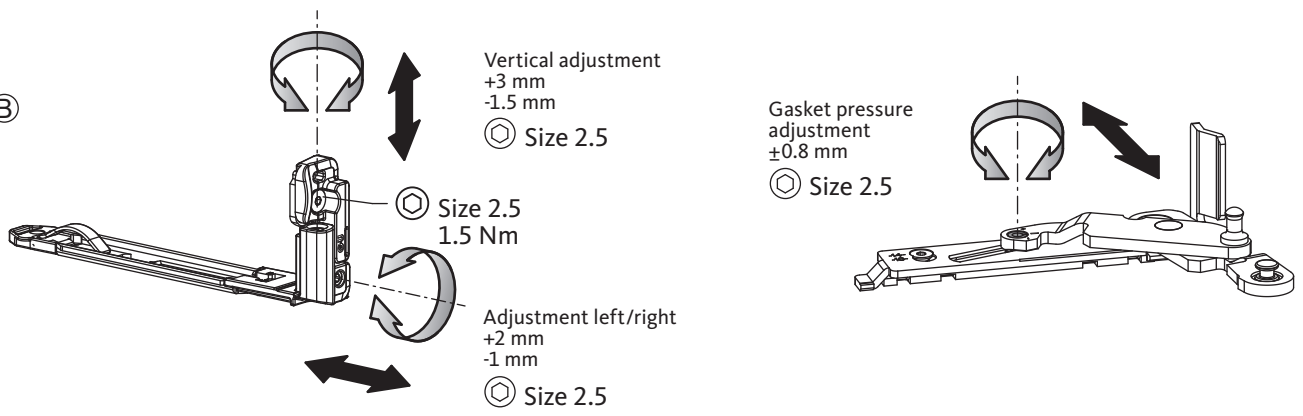
Concealed hinge-sides



Ⓐ

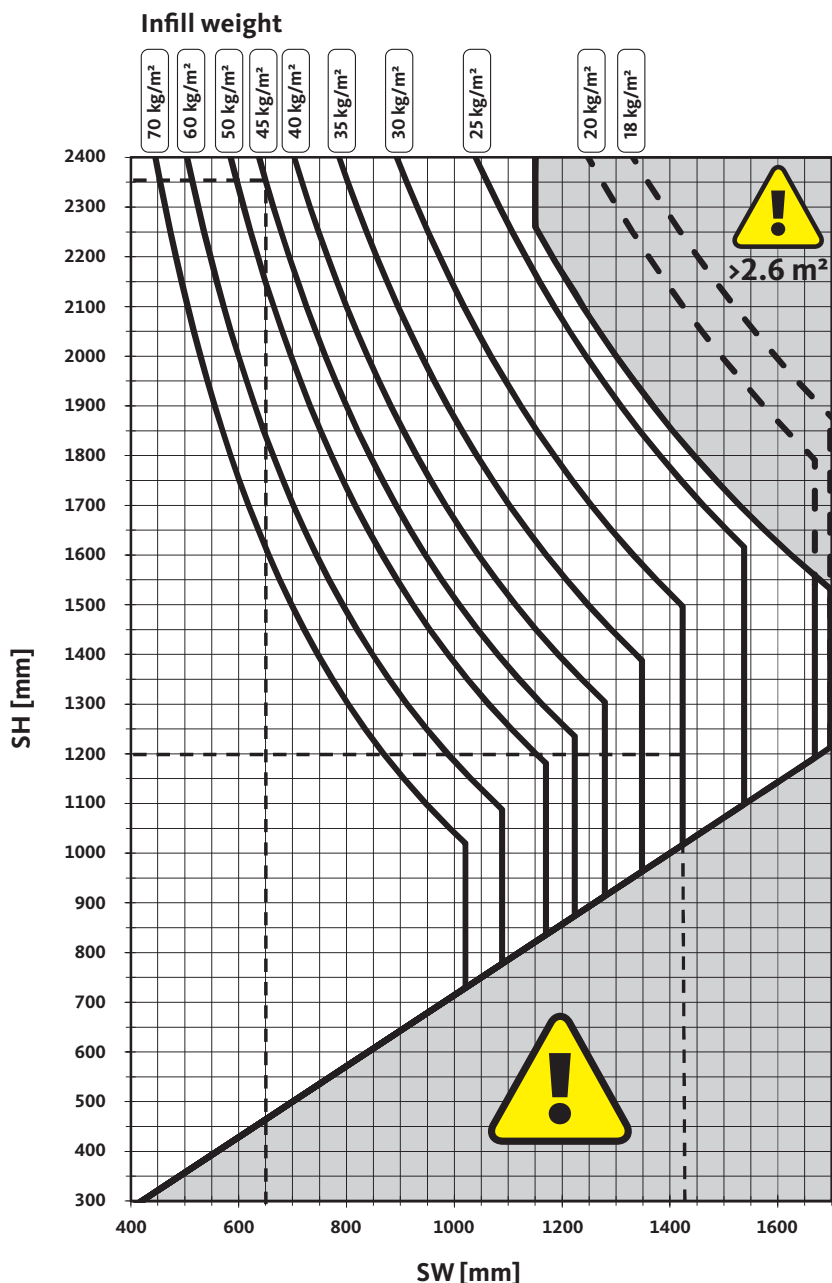
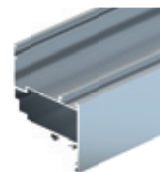
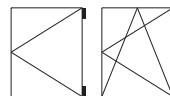


Ⓑ



# ALU-JET 606 application diagram

Tilt&Turn/Tilt-First/Turn-Only windows – without additional parts



## Prerequisites for using the application diagram:

- Verifications regarding the attachment of load-bearing components to the window system by the window fabricator according to TBDK with the following forces:
  - 2200 N at the stay-bearing
  - 2310 N at the pivot-rest
- Glass reduction GR ≥ 20 mm
- Profile weight PW ≤ 3,6 kg/m

### Attention

The maximum sash weight of 80 kg is only permitted in certain areas of the application diagram.

Only sash formats to the left of the respective glass weight graph are permissible.

■ format not permitted

### Reading examples

- 1. Infill weight = 45 kg/m<sup>2</sup>**  
With an SW = 650 mm, the max. SH = 2350 mm, which corresponds to a maximum sash weight of 80 kg.
- 2. Infill weight = 30 kg/m<sup>2</sup>**  
With an SH = 1200 mm, the max. SW = 1425 mm, which corresponds to a maximum sash weight of 63 kg.

For notes on intended use, see 0-46789.

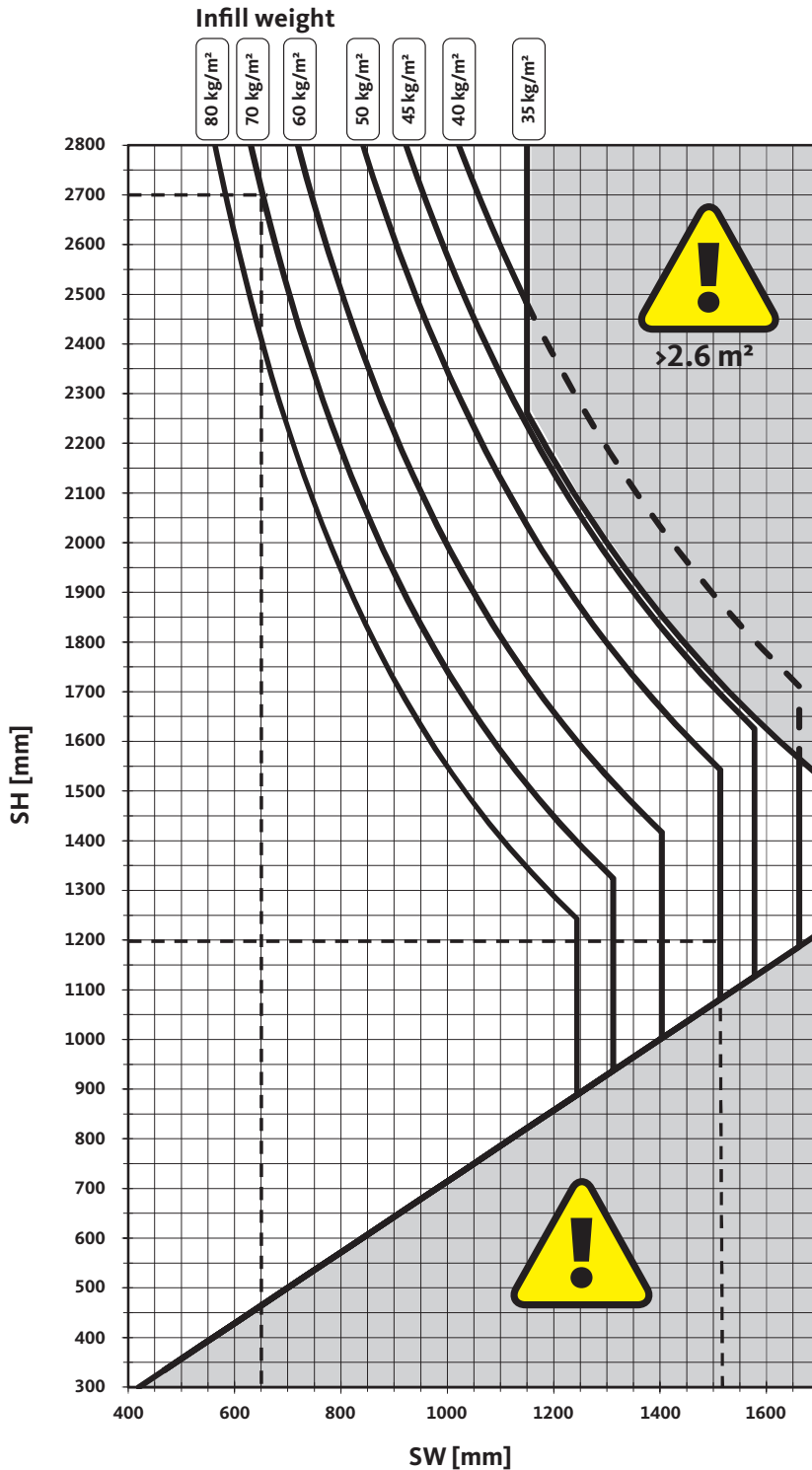
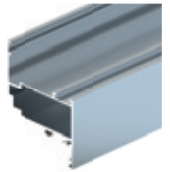
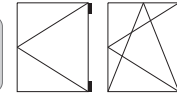
### Test and calculation basis

- Tilt&Turn test acc. to EN 13126-8:2017
  - Class H2 (10,000 Tilt&Turn and Turn-Only cycles)
- Test format:
  - SRW 1300 x SRH 1200 : 80 kg



# ALU-JET 606 application diagram

Tilt&Turn/Tilt-First/Turn-Only windows – with set of additional parts, hinge-side



## Prerequisites for using the application diagram:

- Verifications regarding the attachment of load-bearing components to the window system by the window fabricator according to TBDK with the following forces:
  - 3525 N at the stay-bearing
  - 3760 N at the pivot-rest
- Glass reduction GR ≥ 20 mm
- Profile weight PW ≤ 3,6 kg/m

### Attention

The maximum sash weight of 130 kg is only permitted in certain areas of the application diagram.

Only sash formats to the left of the respective glass weight graph are permissible.

■ format not permitted

### Reading examples

- Infill weight = 70 kg/m²**  
With an SW = 650 mm, the max. SH = 2700 mm, which corresponds to a maximum sash weight of 130 kg.
- Infill weight = 50 kg/m²**  
With an SH = 1200 mm, the max. SW = 1515 mm, which corresponds to a maximum sash weight of 100 kg.

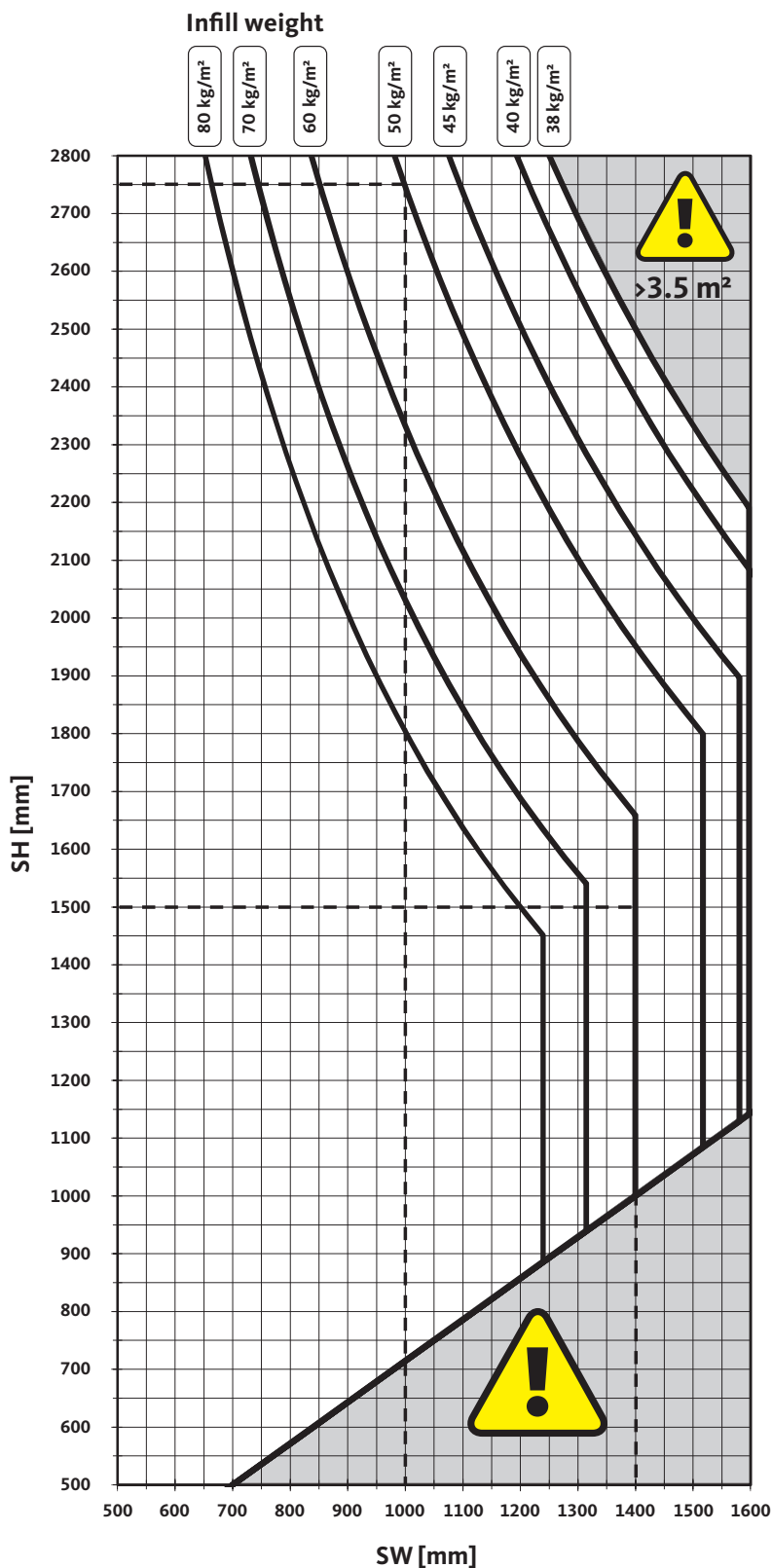
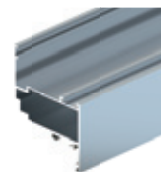
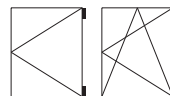
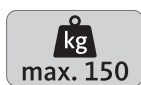
For notes on intended use, see 0-46789.

### Test and calculation basis

- Tilt&Turn test acc. to EN 13126-8:2017
  - Class H2 (10,000 Tilt&Turn and Turn-Only cycles)
- Test format:
  - SRW 1300 x SRH 1200 : 130 kg

# ALU-JET CC606 application diagram

Tilt&Turn/Tilt-First/Turn-Only windows



## Prerequisites for using the application diagram:

- Verifications regarding the attachment of load-bearing components to the window system by the window fabricator according to TBDK with the following forces:
  - 3525 N at the stay-bearing
  - 4340 N at the pivot-rest
- Glass reduction GR ≥ 20 mm
- Profile weight PW ≤ 3,6 kg/m

### Attention

The maximum sash weight of 150 kg is only permitted in certain areas of the application diagram.

Only sash formats to the left of the respective glass weight graph are permissible.

■ format not permitted

### Reading examples

- Infill weight = 50 kg/m<sup>2</sup>**  
With an SW = 1000 mm, the max. SH = 2750 mm, which corresponds to a maximum sash weight of 150 kg.
- Infill weight = 60 kg/m<sup>2</sup>**  
With an SH = 1500 mm, the max. SW = 1400 mm, which corresponds to a maximum sash weight of 133 kg.

For notes on intended use, see 0-46789.

### Test and calculation basis

- Tilt&Turn test acc. to EN 13126-8:2017
  - Class H2 (10,000 Tilt&Turn and Turn-Only cycles)
- Test formats:
  - SRW 900 x SRH 2300 : 150 kg
  - SRW 1300 x SRH 1200 : 130 kg



	Reference No.	Description
<b>Brochure</b>		
	WP00375-XX-1-2	The ALU-JET 06 Tilt&Turn hardware range
<b>Installation manuals</b>		
	0-48580-DF-0-0	ALU-JET 06 T&T central locking system
	0-48581-DF-0-0	ALU-JET 06 TF central locking system
	0-48582-DF-0-0	ALU-JET 06 TU-ON central locking system
	0-48583-DF-0-0	ALU-JET 06 TI-ON central locking system
	0-48584-DF-0-0	ALU-JET 06 F&S central locking system
	0-48585-DF-0-0	ALU-JET 06 F&S central locking system (depending on profile system)
	0-48578-DF-0-0	ALU-JET 606 surface-mounted hinge-side
	0-48579-DF-0-0	ALU-JET CC606 concealed hinge-side
	0-48720-DF-0-0	ALU-JET 06 rosette-free turn handle
<b>Warranty / guarantee</b>		
	0-46509-DL-0	Guidelines/advice on product and liability
	0-48513-DL-0	Guarantee ALU-JET aluminium window systems