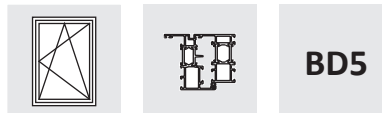


ALU 5200-TBT

Assembly instructions



Single sash square tilt-turn element

Aluminium eurogroove 15/20

Chamber dimension 21

Versions A0004/A0006/A0022

Hinge clearance (BD) 5

Anti-mishandling device in the corner drive (FBS-EUL)

Horizontal tilt point (KPW)

Size range

		Windows	Patio doors
Sash width	(mm)	450 – 1600	600 – 1300
Sash height	(mm)	600 – 2000	2000 – 2600
Sash weight	(kg)	max. 100/150	max. 100/150

The following application diagrams apply:

- max. 100 kg document Nr.: H58.AWDLS003EN
- max. 150 kg document Nr.: H58.AWDLS005EN

The following documentation is required:

- Profile recommendation ALU20 document Nr.: H45.5200LS009EN
- ALU Maintenance instructions document Nr.: H45.5200LS006EN
- ALU Service instructions document Nr.: H45.5200LS007EN
- ALU Operating instructions document Nr.: H45.5200LS008EN

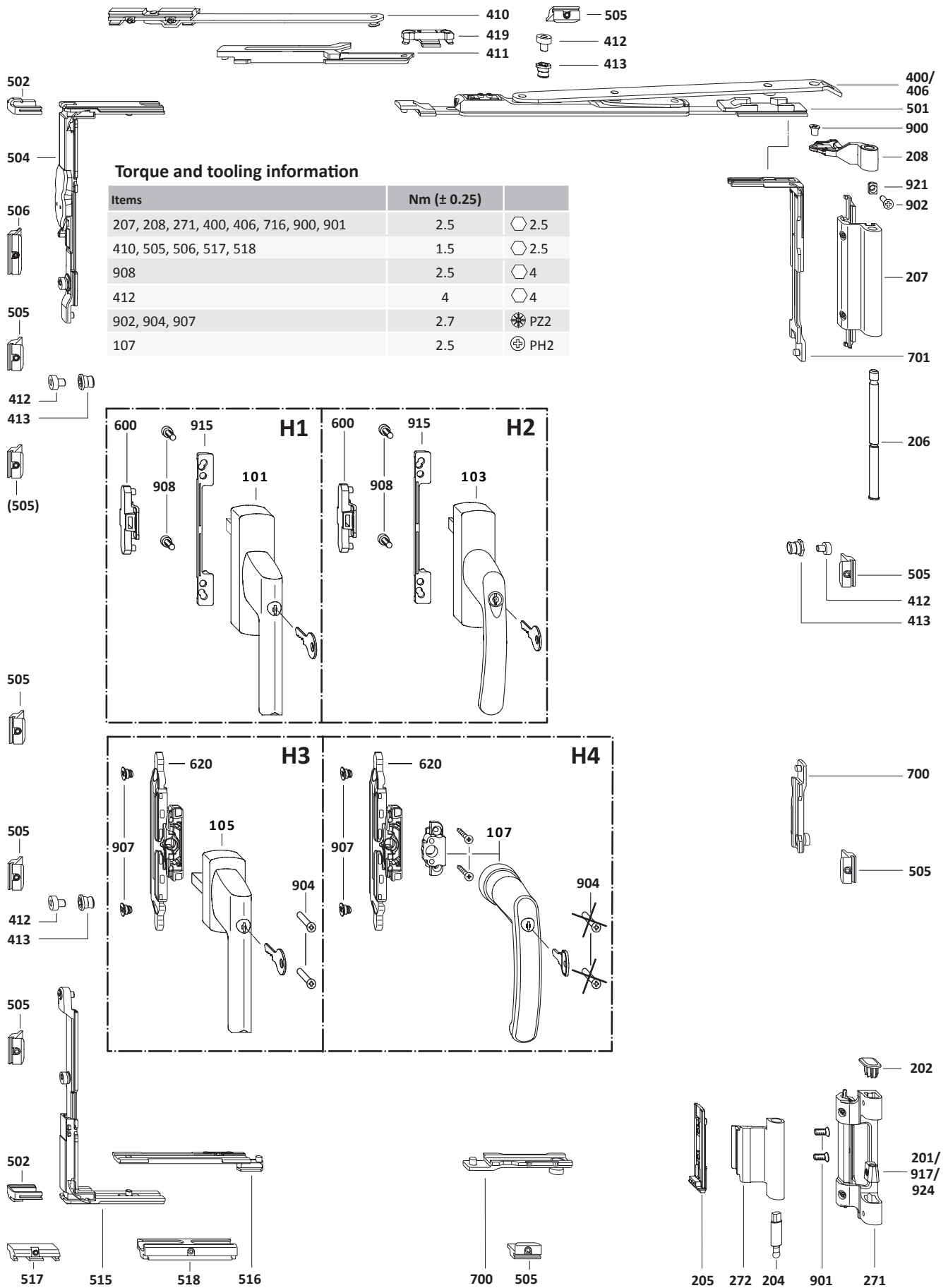
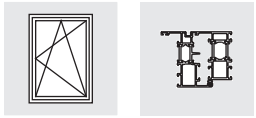
Please observe:

Guidelines/notes on the product and on liability (VHBH directive as well as the further applicable documents)!

Specifications from the profile manufacturers or system owners for windows and patio doors!



See SIEGENIA download portal for all documentation!





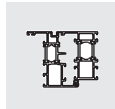
Hardware list

ALU 5200

Single sash square tilt-turn
hinge side ALU 5200 150 kg BD5

FBS-EUL

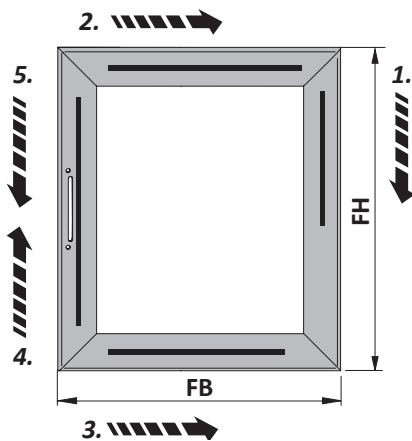
	Item	Pieces	Material description	Material number	VE	Material number	VE	
H1	101		ALU Si-line lockable handle	(Only use in combination with coupling set)	See handle overview in download portal			
H2	103		ALU GLOBE lockable handle		□ 7 mm x 25, cam Ø 10			
H3	105		TITAN lockable handle	(Only use in combination with gear set)	Only use in combination with gear set			
H4	107		ALU Globe RR lockable handle		See handle ALU Globe RR in download portal			
		1	Hinge side ALU 5200 BD5 (only for hinge clearance $\geq 5 \leq 7$)	Silver	MMBS0230-52501_	1	MMBS0230-52502_	10
				white RAL 9010	MMBS0230-50301_	1	MMBS0230-50302_	10
				white RAL 9016	MMBS0230-50401_	1	MMBS0230-50402_	10
				black RAL 9005	MMBS0230-52301_	1	MMBS0230-52302_	10
				EV 1	MMBS0230-52401_	1	MMBS0230-52402_	10
				Mill finish	-	-	MMBS0230-50012_	5
	201	1	Adjusting piece	(replaced by item 924 with sash weight >100 kg)				
	202	1	Cover cap					
	204	1	Bottom hinge pin					
	205	1	Clamping piece E					
	206	1	Hinge pin					
	207	1	Top hinge					
	208	1	Stay hinge					
	271	1	Bottom hinge ALU 5200-150 RH/LH.					
	272	1	Corner hinge ALU 5200-150 RH/LH.					
	900	1	Countersunk screw M5 x 7.5					
	901	2	Countersunk screw M5 x 8.5					
		0...1	Accessories set ALU BD5 150 kg	> 100 kg	-	-	MZBS0110-00003_	20
	902	1	Countersunk screw M5 x 13					
	921	1	Supporting piece					
	924	1	Adjusting piece S					
	400	0...1	Top stay ALU 5200 size 1	FB > 450 ≤ 600 ≤ 100 kg	MSKK0290-00001_	1	MSKK0290-00003_	20
	406	0...1	Top stay ALU 5200 size 2	FB > 600 ≤ 1600	MSKK0300-00001_	1	MSKK0300-00003_	20
		0...1	ALU additional stay	FB > 1250 FB > 1020 > 100 kg	857076	1	247006	10
	410	1	Additional stay					
	411	1	Striker plate					
	412	1	Locking cam					
	413	1	Eccentric rivet					
	419	0...1	MV stay striker	sash width > 1020 > 100 kg FB > 1250	MXSK0010-00001_	1	MXSK0010-00003_	20
		1	Locking side ALU TBT FBS-EUL horizontal tilt point (KPW)		MMVS0460-10001_	1	MMVS0460-10003_	20
	501	1	TBT locking bolt					
	502	2	Clamping piece EUL					
	504	1	Corner drive VSO-FBS					
	505	1	Striker					
	506	1	Striker EUL					
	515	1	Corner drive VSU					
	516	1	Tilt lock					
	517	1	Run-up block					
	518	1	Tilt locking part DK					
H1		0...1	ALU coupling set	(Only use in combination with H1/H2)	MMKL0060-10001_	1	MMKL0060-10003_	20
H2	600	1	Coupling bracket					
	908	2	Cheese head screw M5 x 12					
H3		0...1	ALU gear set	(Only use in combination with H3/H4) (see document Nr. H48. ZubhLS005en)	MMGI0090-10001_	1	MMGI0090-10003_	20
H4	620	1	M6 ESG					
	904	2	Countersunk screw M5 x 35					
	907	2	Coupling screw M6					



	Item	Pieces	Material description	Material number	VE	Material number	VE
system-dependent	0...1	MV ALU-DK/TBT	FH > 1250	857045	1	246979	20
	505	2	Striker				
	700	1	Slider				
	701	1	VSU/BSO corner drive				
Recessed groove dependent on system	0...1	MV ALU-DK/TBT A0172	FH > 1250 / ≤ 130 kg (see page 5)	MMM0050-10001_	1	MMM0050-10003_	20
	505	2	Striker				
	700	1	Slider				
	716	1	Corner drive VSU/BSO A0172				
dependent on system	0...3	Locking part ALU	Sash height > 2400	-	-	317556	20
	412	1	Locking cam				
	413	1	Eccentric rivet				
	505	1	Striker				
	0...1	MV ALU slider	FB > 1250	MMM0070-10001_	1	MMM0070-10003_	20
	505	2	Striker				
	700	1	Slider				
	915	0...1	ALU handle support	Only use for H1/H2	-	(see table)	200
	917	0...1	Adjusting piece AV	For compression + 0.5 mm	MXBS0100-00001_	MXBS0100-00002_	10
	-	0...1	Jig ALU 5200 additional screw connection	for countersunk screw M5 x 13 (item 902) and supporting piece (item 921) > 100 kg (see page 8)	MARB0050-00001_	-	-

Observe assembly sequence!

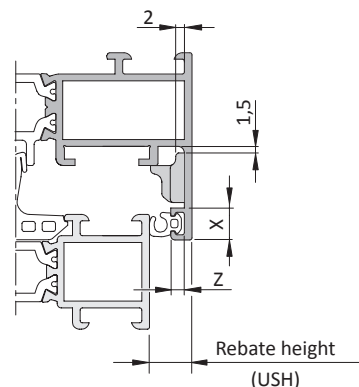
Design variations for handle support (item 915) (H1/H2)



sequence of installation in the sash:

- without centre lock (2. -3. -4. -5.)
- with centre lock (1. -2. -3. -4. -5.)

USH (mm)	Z (mm)	X ≤ 7 mm	X < 7 ≤ 8.5 mm
7 - 10	≤ 2	MFHA0010-10020_	MFHA0010-10020_
	> 2 ≤ 3		MFHA0020-10020_
	> 3		-
12	-	MFHA0030-10020_	-





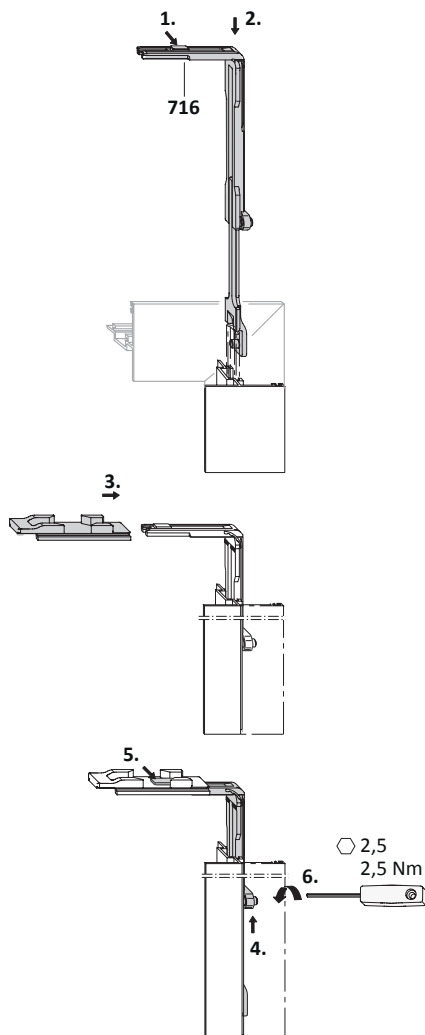
Assembly of corner drive VSU/BSO A0172

ALU 5200

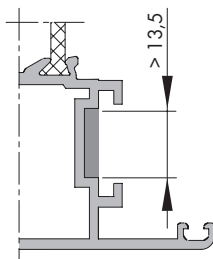
Single sash square tilt-turn
hinge side ALU 5200 150 kg BD5

FBS-EUL

Assembly of the corner drive VSU/BSO A0172 (item 716) to the BSO

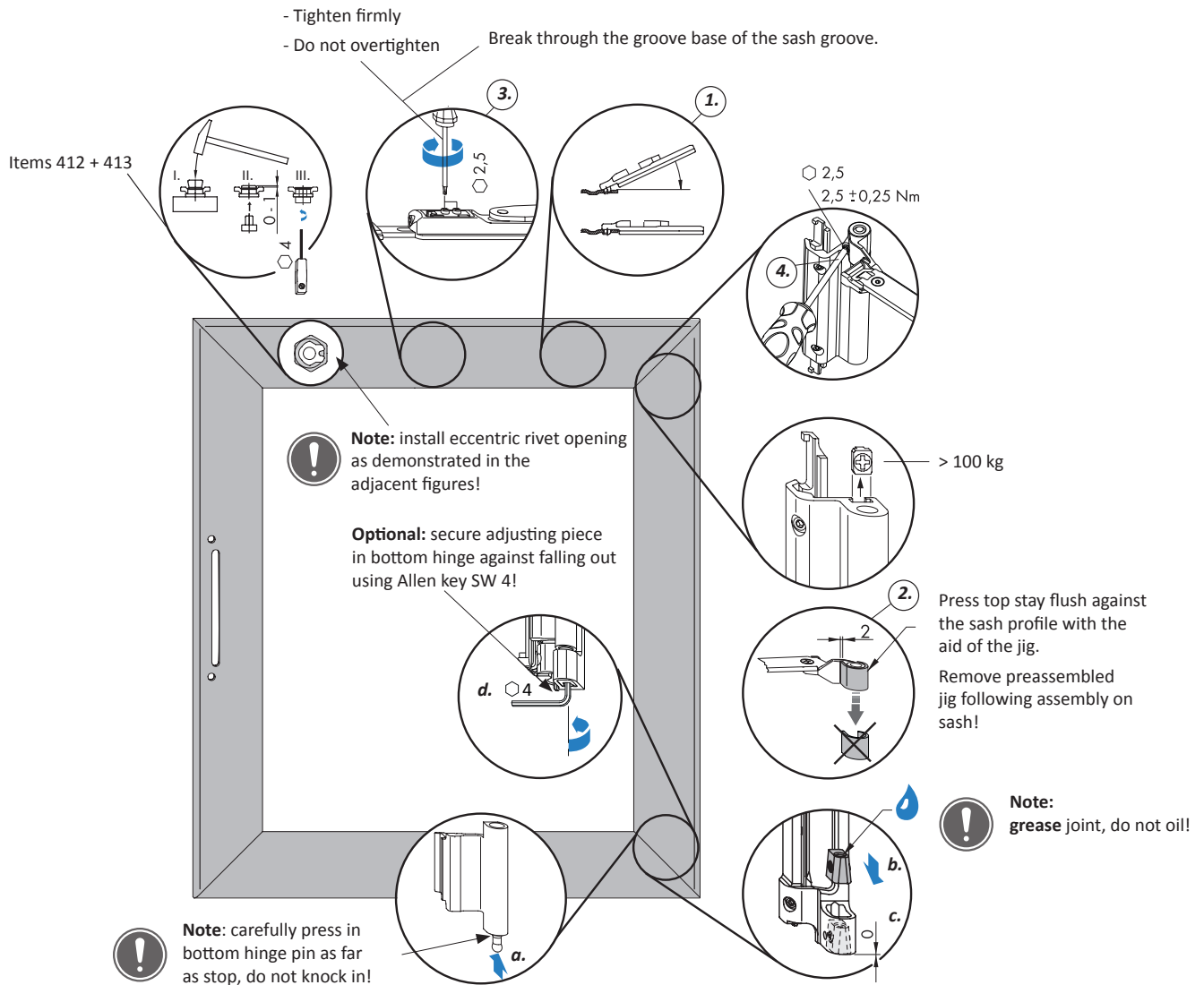


Note: for recessed sash groove from a width > 13.5 mm and a sash weight \leq 130 kg use "MV ALU-DK/TBT A0172"!

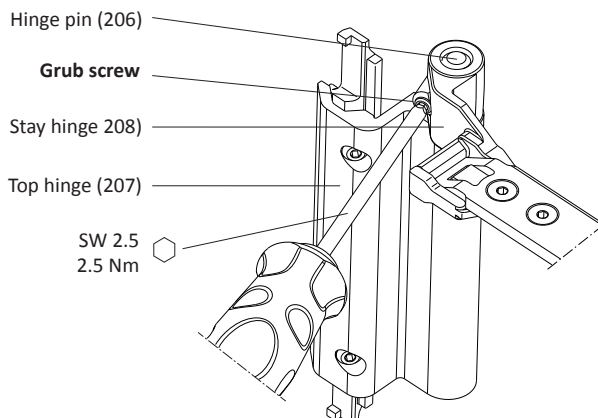




Assembly settings, installation sequence and warning notes!



BSO



⚠ DANGER

Danger to life due to window sashes falling out if grub screw is not tightened

Unsecured hinge pin (206) slips out of the stay hinge (208)

- Press hinge pin (206) upwards into the top hinge (206) and push stay hinge (208) as far as stop.
- Secure hinge pin (206) with **grub screw** in stay hinge (208) (torque 2.5 Nm).

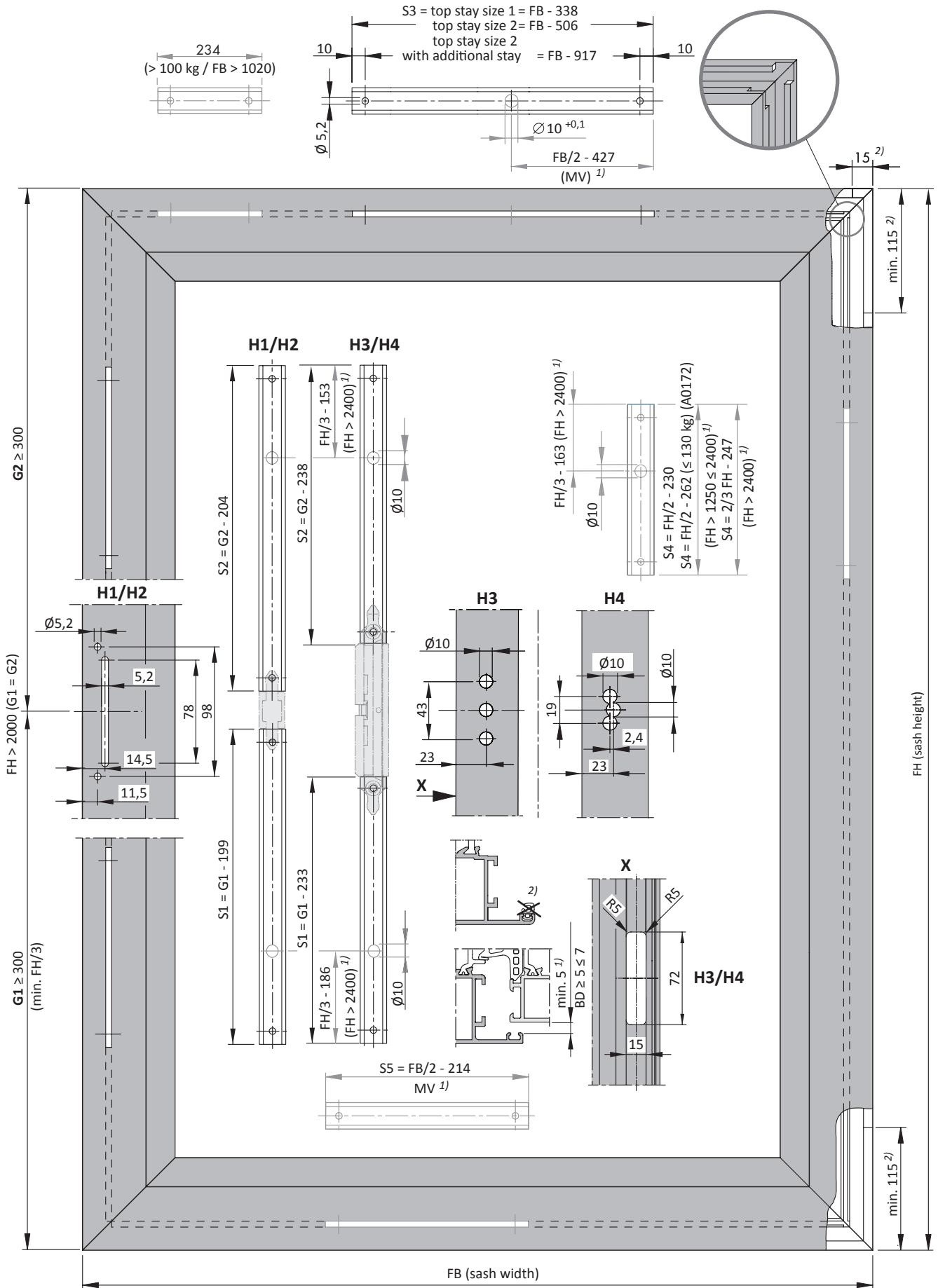


Sash dimensions

ALU 5200

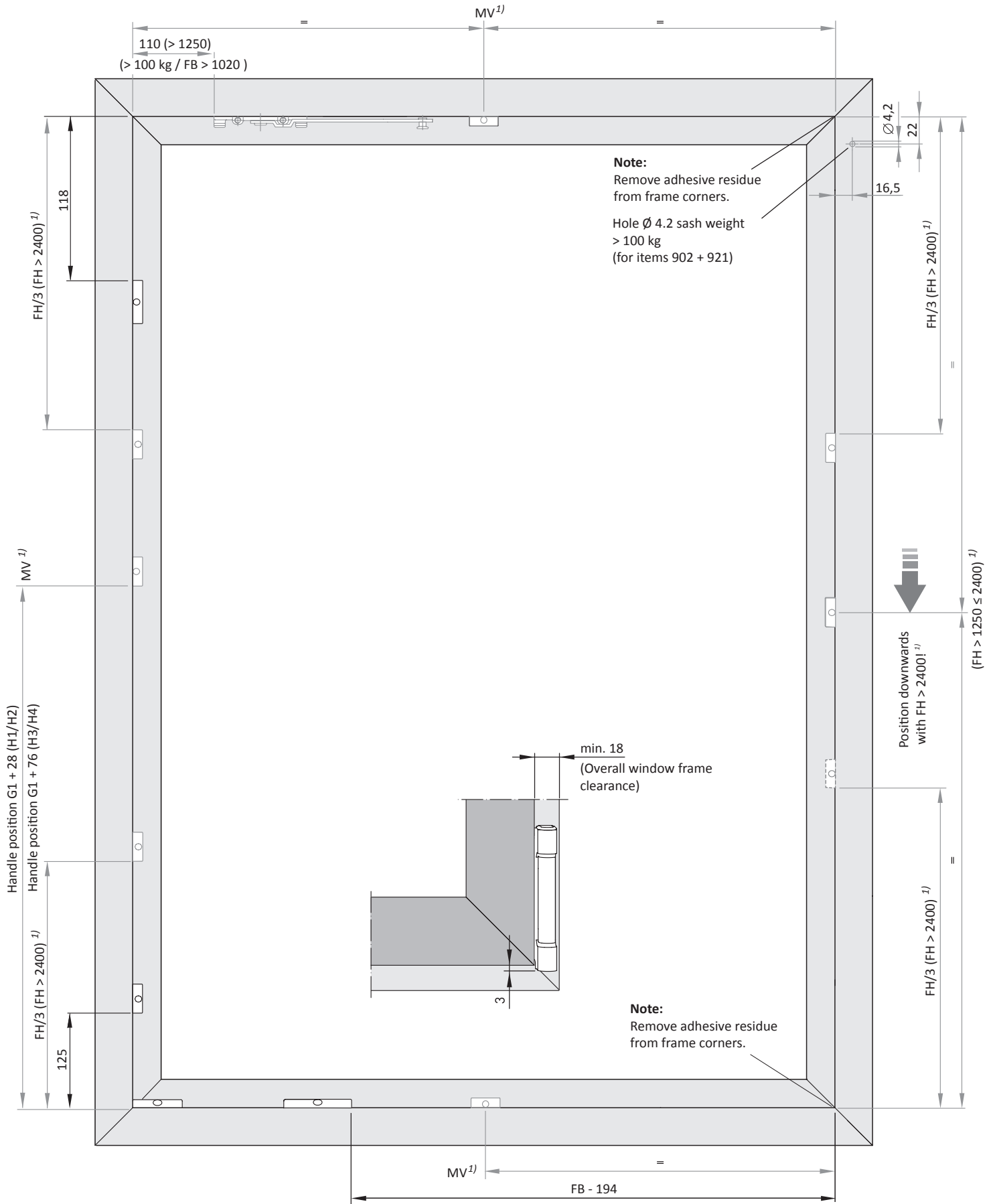
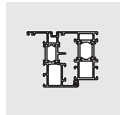
Single sash square tilt-turn
hinge side ALU 5200 150 kg BD5

FBS-EUL



1) See page 4 for installation of centre locks and additional locks

2) Remove the rebate seal in the hinge gap area (minimum gap area 5 mm).



1) For installation of the centre locks and additional locks see page 4.