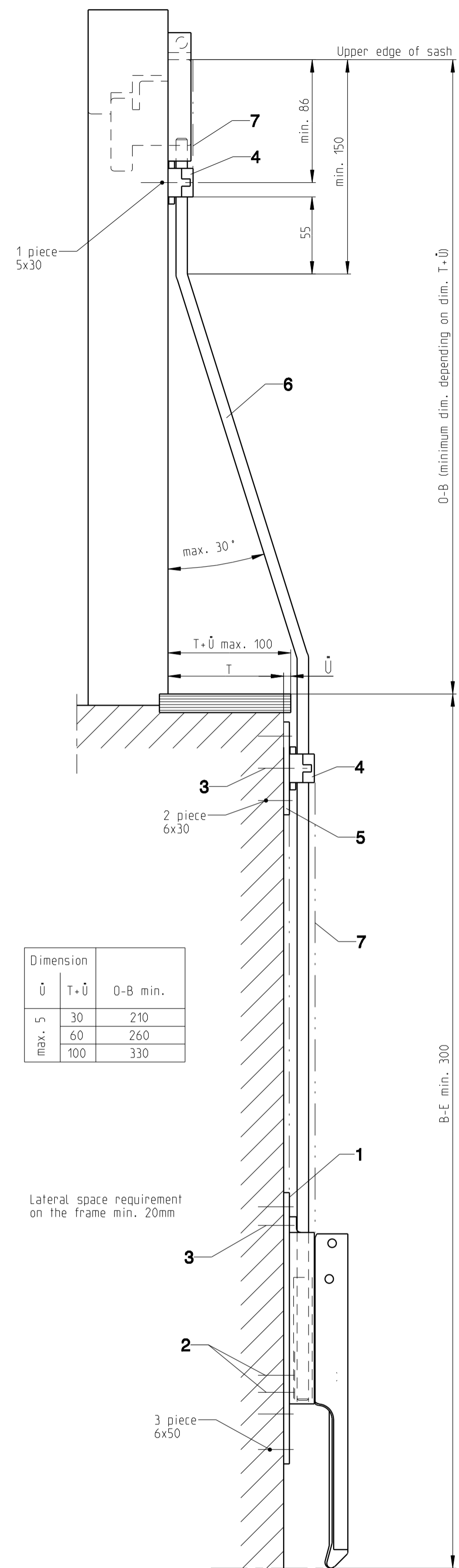




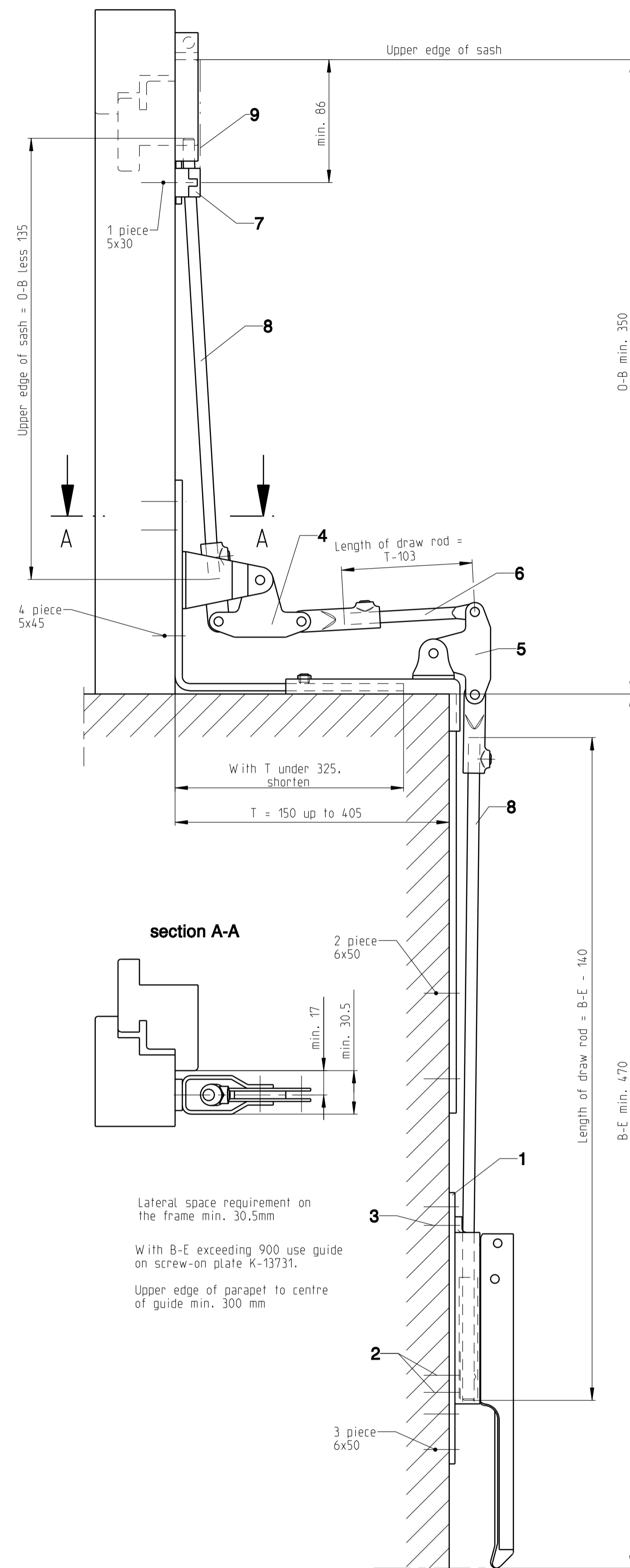
Rod transmission Ø 8 for T+Ü up to 100 mm max.



Dimension	Ü	T+Ü	O-B min.
max. 5	30	210	
	60	260	
	100	330	

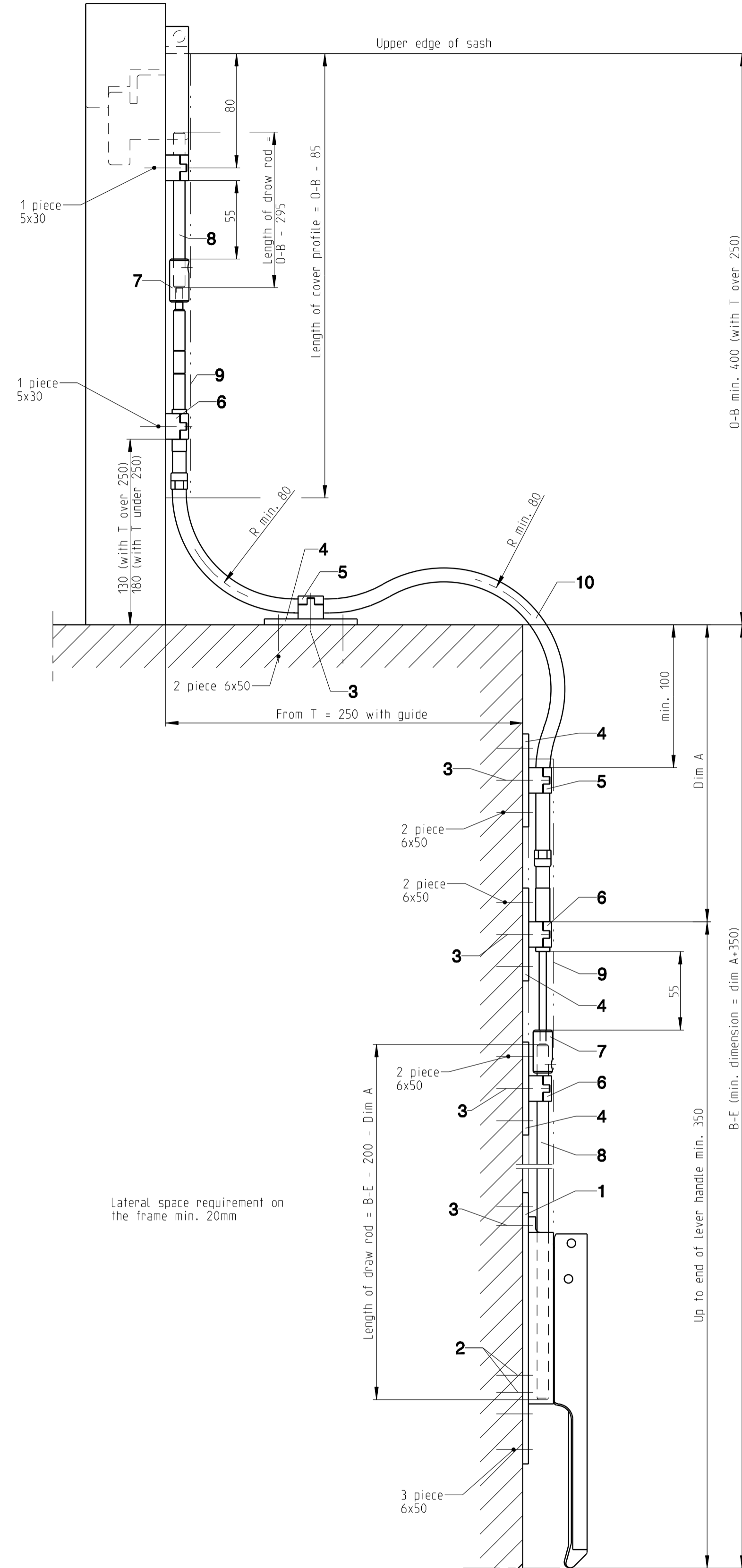
Item	Description	Article No.	Qty. contained in box
1	Screw-on plate	9-33787-00-0	1
2	Countersunk screw M5x6	9-13255-06-0	2
3	Countersunk screw M5x8	9-13255-08-0	2
4	Guide	9-33711-00-0	1
5	Screw-on plate	9-33788-00-0	1
6	Rod Ø8 Rod to be cranked on site	L= 600	9-25476-06-0
		L=1850	9-25476-18-0
		L=3300	9-25476-33-0
		L=6000	9-25476-60-0
		L= 790	9-33444-06-0
7	Cover profile	L=1800	9-33444-18-0
		L=3050	9-33444-33-0
		L=3050	9-33444-33-0
		L=6000	9-33444-60-0

bell-shaped angle transmission CD 8 for T 150 mm up to T 405 mm

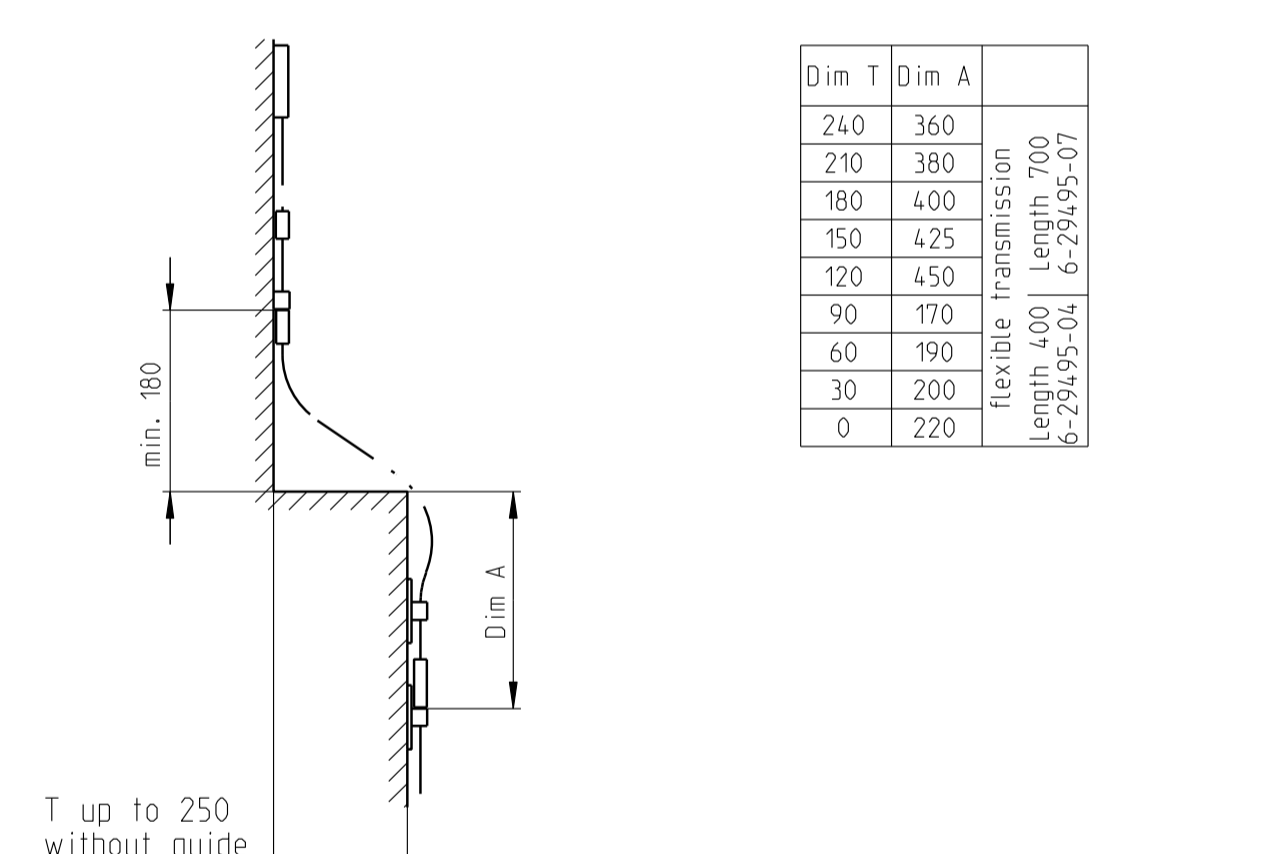
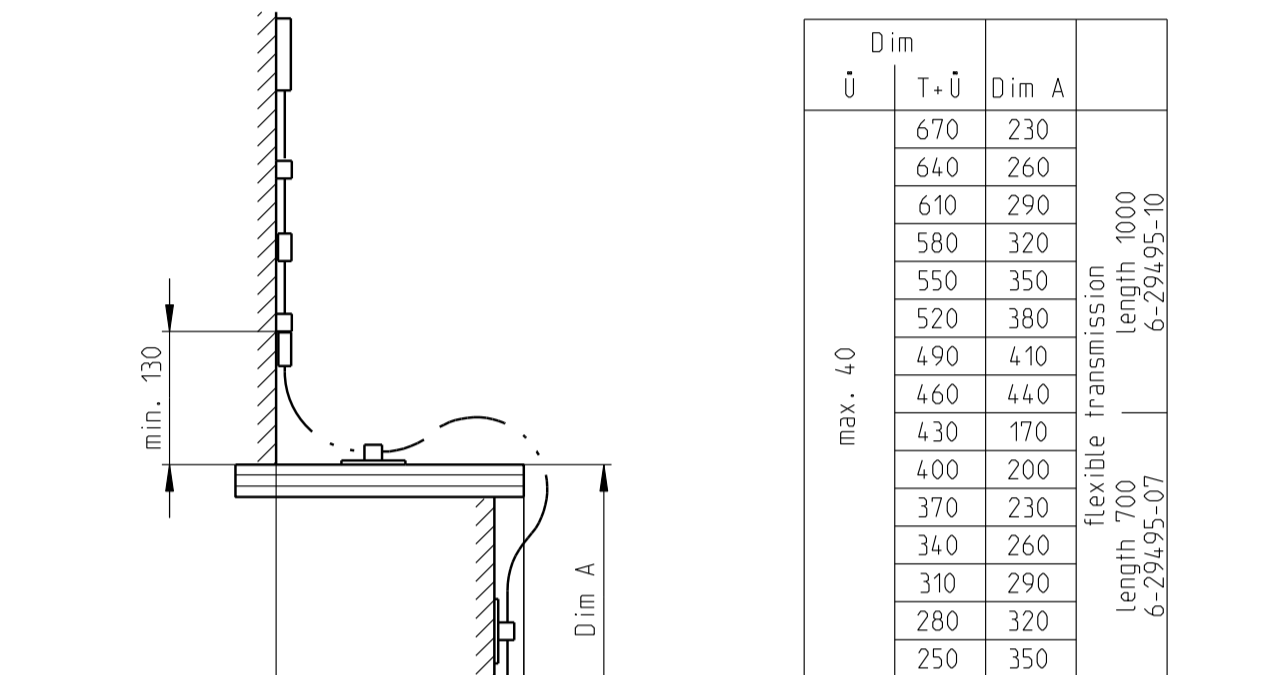
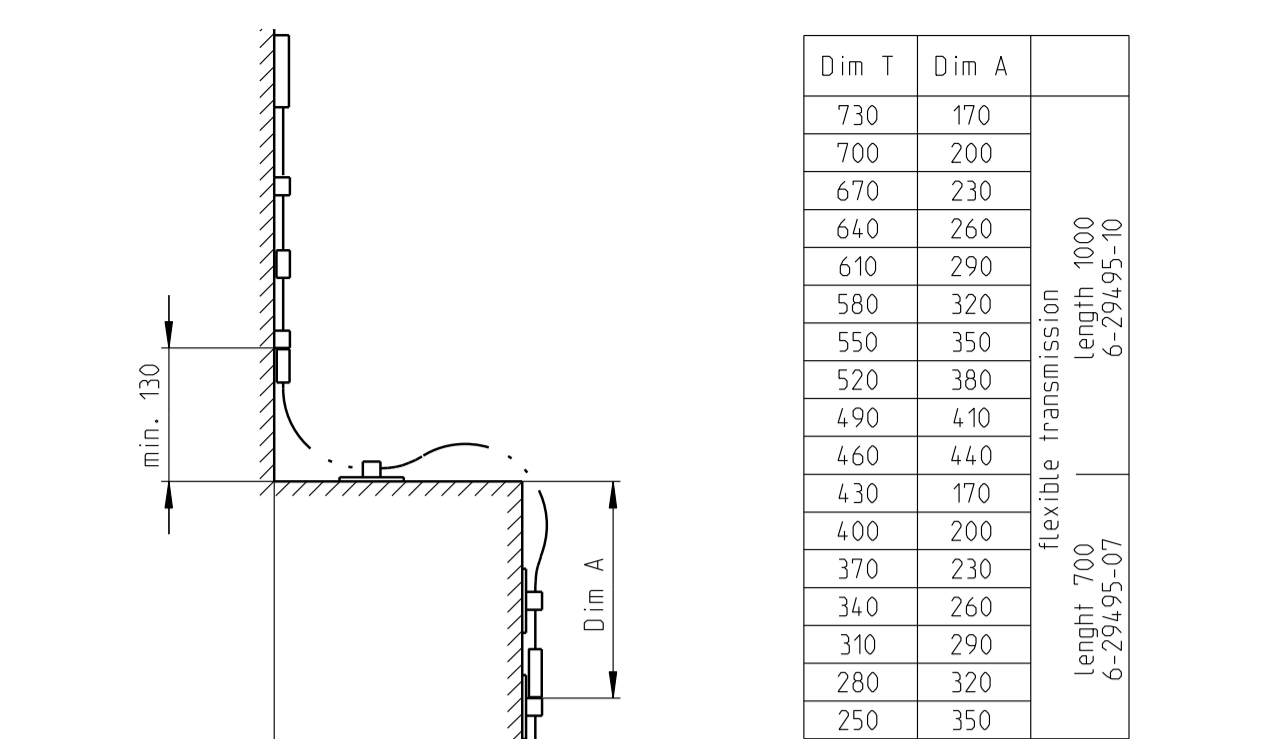


Item	Description	Article No.	Qty. contained in box
1	Screw-on plate	9-33787-00-0	1
2	Countersunk screw M5x6	9-13255-06-0	2
3	Countersunk screw M5x8	9-13255-08-0	2
4	Upper bell-shaped angle	6-23554-00-0	1
5	Lower bell-shaped angle	6-23555-00-0	1
6	Rod Ø8	9-33786-03-0	1
7	Guide	9-33711-00-0	1
8	Rod Ø8	L= 600	9-25476-06-0
		L=1850	9-25476-18-0
		L=3300	9-25476-33-0
		L=6000	9-25476-60-0
		L= 790	9-33444-06-0
9	Cover profile	L=1800	9-33444-18-0
		L=3050	9-33444-33-0
		L=3050	9-33444-33-0
		L=6000	9-33444-60-0

Flexible transmission for T up to 730 mm max.



Item	Description	Article No.	Qty. contained in box
1	Screw-on plate	9-33787-00-0	1
2	Countersunk screw M5x6	9-13255-06-0	2
3	Countersunk screw M5x8	9-13255-08-0	2
4	Screw-on plate	9-35606-00-0	1
5	Guide Ø10	9-35366-00-0	2
6	Guide Ø8	9-28893-00-0	3
7	Sleeve Ø8 / M5	6-27402-00-0	2
8	Rod Ø8	L= 600	9-25476-06-0
		L=1850	9-25476-18-0
		L=3300	9-25476-33-0
		L=6000	9-25476-60-0
		L= 790	9-33444-06-0
9	Cover profile	L=1800	9-33444-18-0
		L=3050	9-33444-33-0
		L=6000	9-33444-60-0
		L= 200	6-29495-02-0
		L= 400	6-29495-04-0
10	Flexible transmission	L= 700	6-29495-07-0
		L=1000	6-29495-10-0
		L=1300	6-29495-13-0
		L=2000	6-29495-20-0
		L=2000	6-29495-20-0



According to RAL regulations it is obligatory to equip tilt sashes with catching stays along with fan-light fittings.

GU security stays Euro-Solid prevent damage that might occur when opening stays are improperly mounted.

Mounting on timber windows according to drawing no. 0-43214-NF-3

On PVC windows according to drawing no. 0-43277-NF-3

On aluminium windows according to drawing no. 0-43278-NF-3

**Required order specifications for transmissions**

Top edge of sash to parapet ...0-B  
Parapet to end of lever handle ...B-End  
Recess depth.....  
Window sill projection.....0

**Application range**

Max. sash width 2400 mm  
Max. total sash weight 35 kg

Description		Level		Released		Scale		Modification		Size	
Platform fan-light opener Ventus F200 various transmission types		Ver.	--	Released	--	%	4			1	
GU		Mod. No.	G28278	Draft	19.04.06	Sd		Drawing No.		O-43700-GG-0-EN	
Replacement for --										Sheet 2/2	