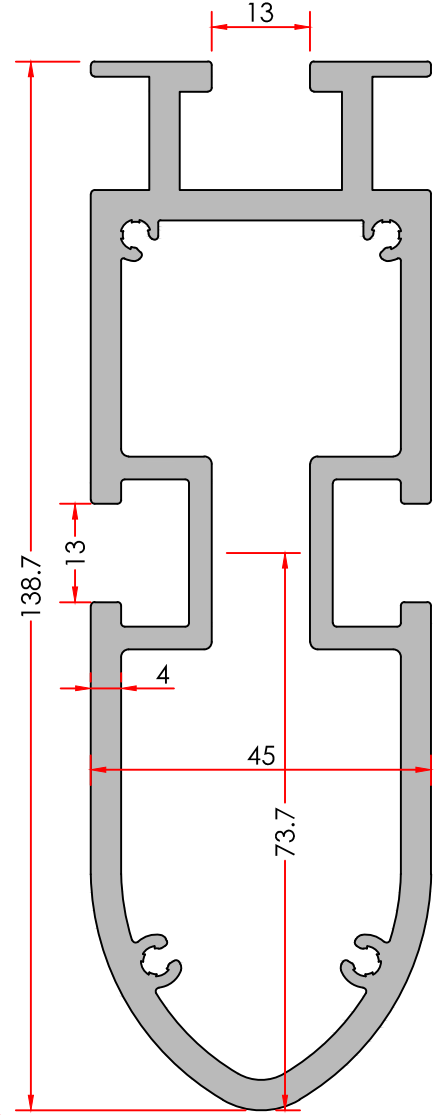


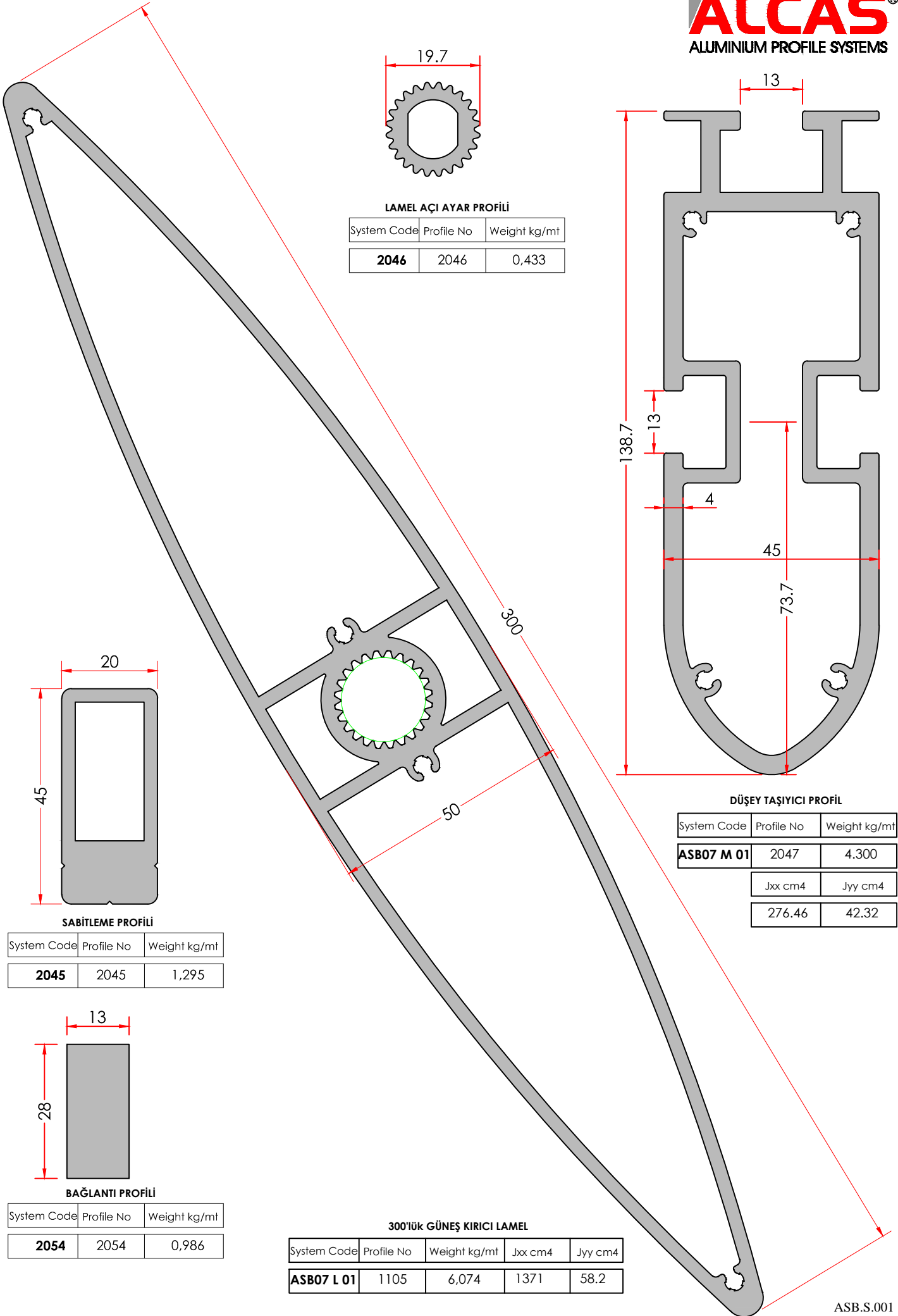
LAMEL AÇI AYAR PROFİLİ

| System Code | Profile No | Weight kg/mt |
|-------------|------------|--------------|
| 2046 | 2046 | 0,433 |



DÜŞEY TAŞIYICI PROFİL

| System Code | Profile No | Weight kg/mt |
|-------------------|------------|--------------|
| ASB07 M 01 | 2047 | 4.300 |
| | Jxx cm4 | Jyy cm4 |
| | 276.46 | 42.32 |



SABİTLEME PROFİLİ

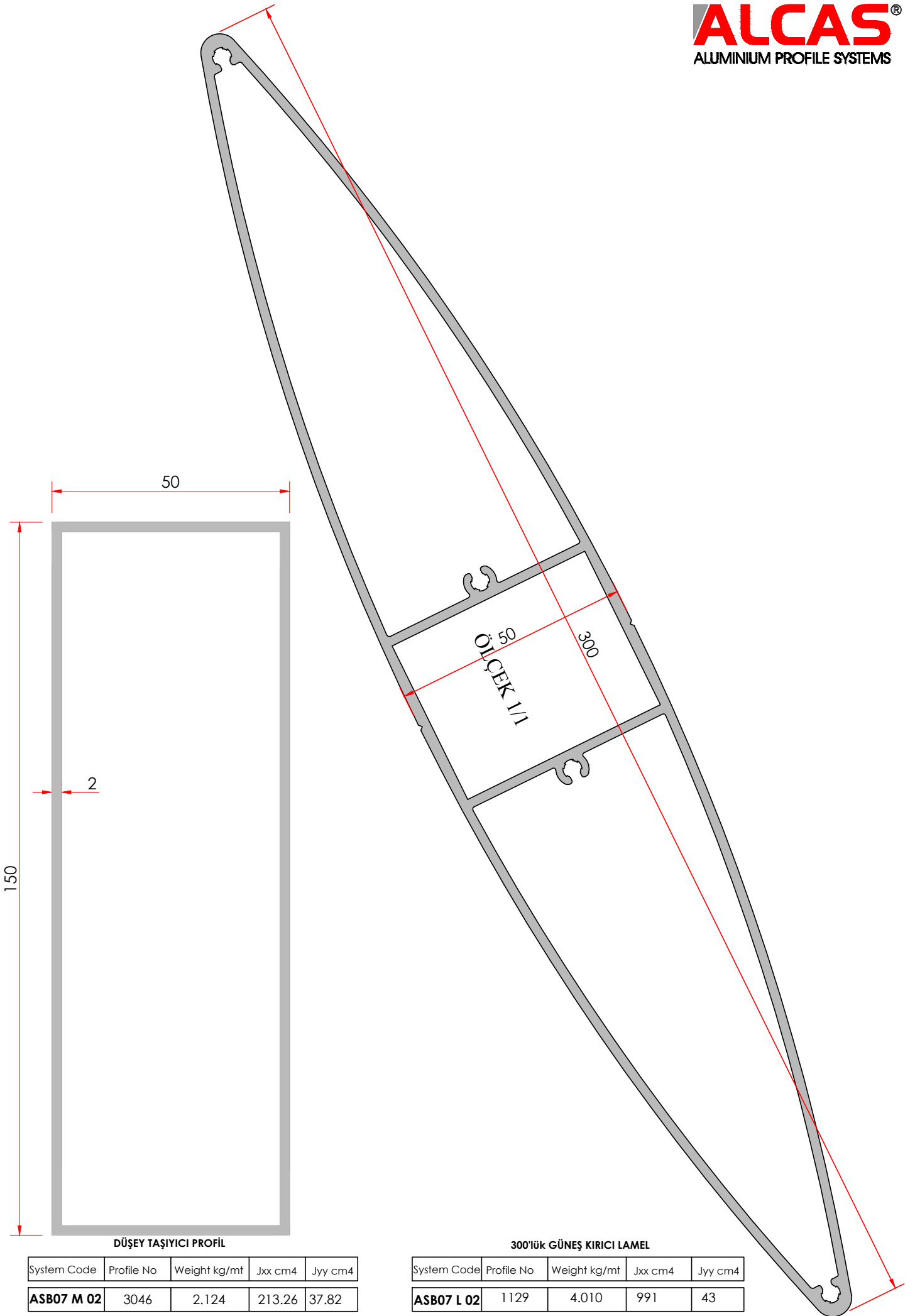
| System Code | Profile No | Weight kg/mt |
|-------------|------------|--------------|
| 2045 | 2045 | 1,295 |

BAĞLANTI PROFİLİ

| System Code | Profile No | Weight kg/mt |
|-------------|------------|--------------|
| 2054 | 2054 | 0,986 |

300'ük GÜNEŞ KIRICI LAMEL

| System Code | Profile No | Weight kg/mt | Jxx cm4 | Jyy cm4 |
|-------------------|------------|--------------|---------|---------|
| ASB07 L 01 | 1105 | 6,074 | 1371 | 58.2 |

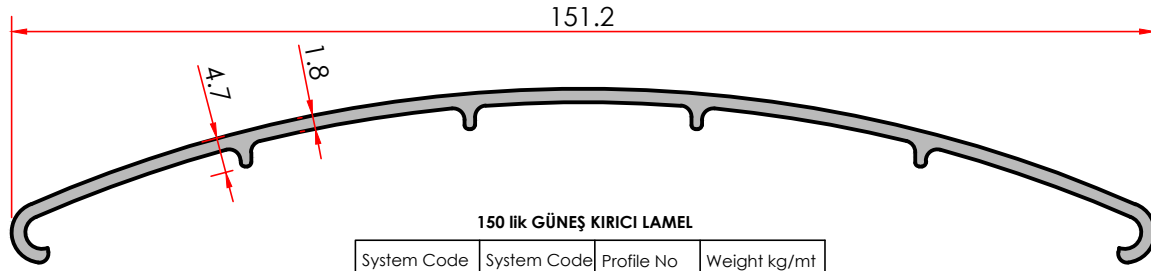


DÜŞEY TAŞIYICI PROFİL

| System Code | Profile No | Weight kg/mt | Jxx cm4 | Jyy cm4 |
|-------------------|------------|--------------|---------|---------|
| ASB07 M 02 | 3046 | 2.124 | 213.26 | 37.82 |

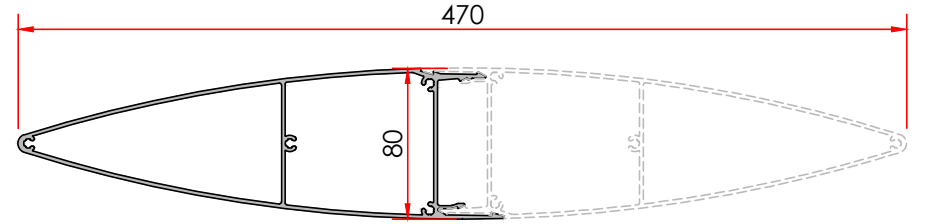
300'lük GÜNEŞ KIRICI LAMEL

| System Code | Profile No | Weight kg/mt | Jxx cm4 | Jyy cm4 |
|-------------------|------------|--------------|---------|---------|
| ASB07 L 02 | 1129 | 4.010 | 991 | 43 |



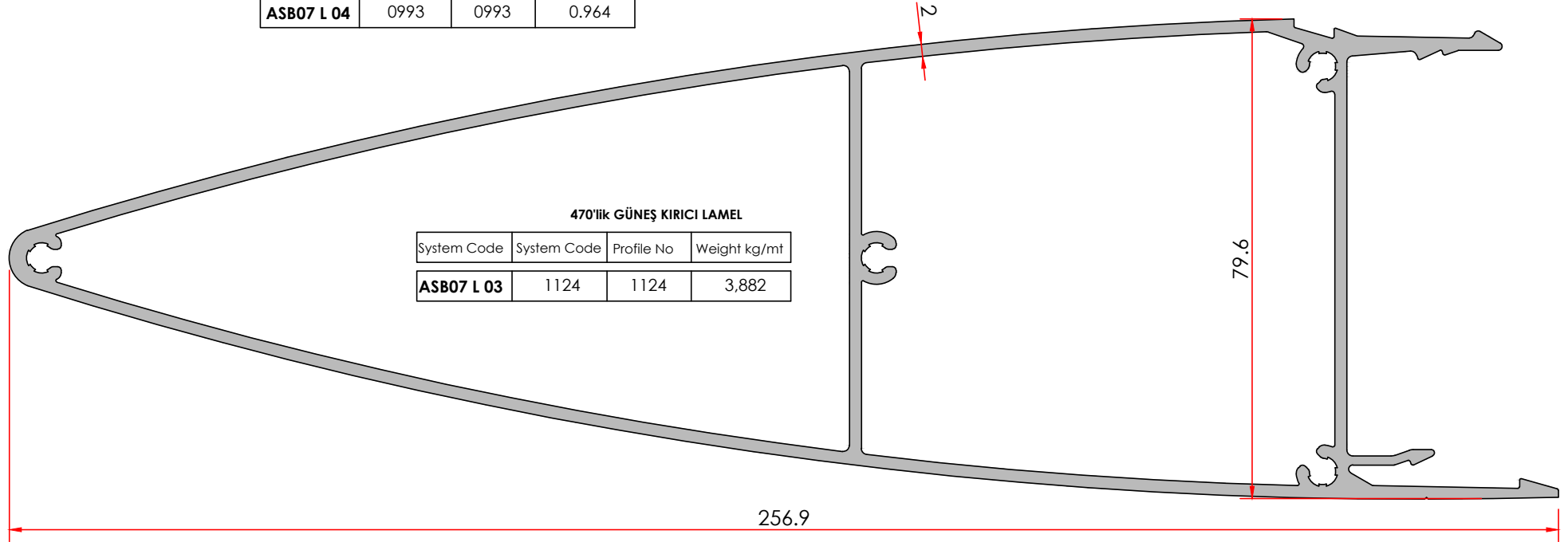
150'lik GÜNEŞ KIRICI LAMEL

| System Code | System Code | Profile No | Weight kg/mt |
|-------------------|-------------|------------|--------------|
| ASB07 L 04 | 0993 | 0993 | 0.964 |

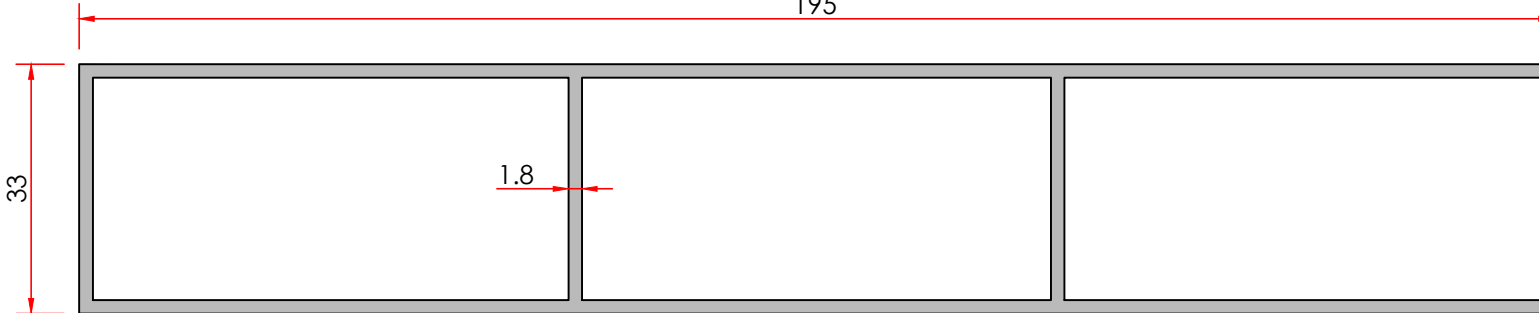


470'lik GÜNEŞ KIRICI LAMEL

| System Code | System Code | Profile No | Weight kg/mt |
|-------------------|-------------|------------|--------------|
| ASB07 L 03 | 1124 | 1124 | 3,882 |

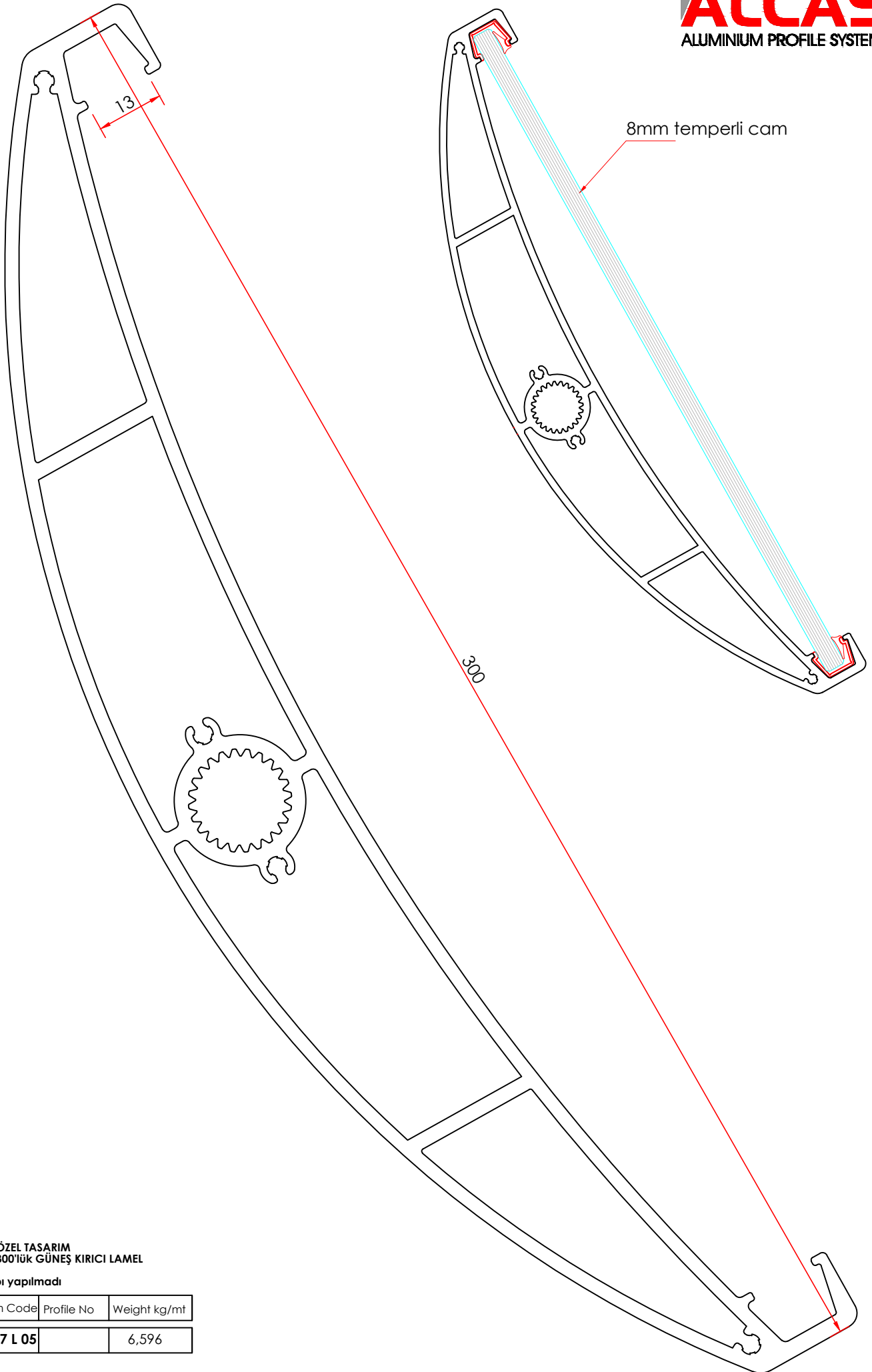


195



195' LİK GÜNEŞ KIRICI LAMEL

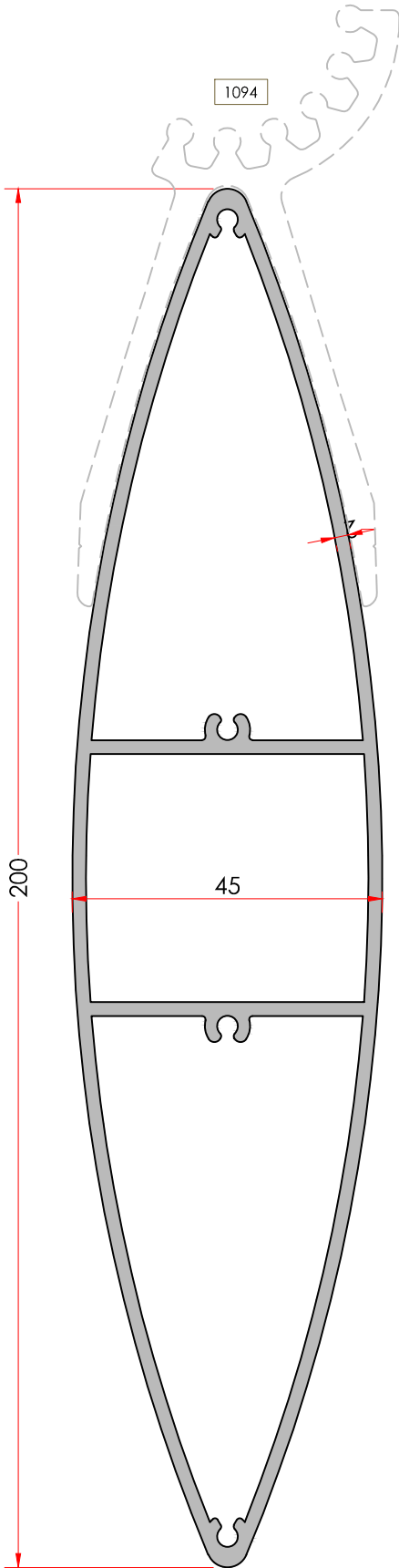
| System Code | Profile No | Weight kg/mt |
|-------------------|------------|--------------|
| ASB07 L 06 | 2294 | 2.476 |
| Jxx cm4 | Jyy cm4 | |
| 332.0 | 18.6 | |



ÖZEL TASARIM
300'lük GÜNEŞ KIRICI LAMEL

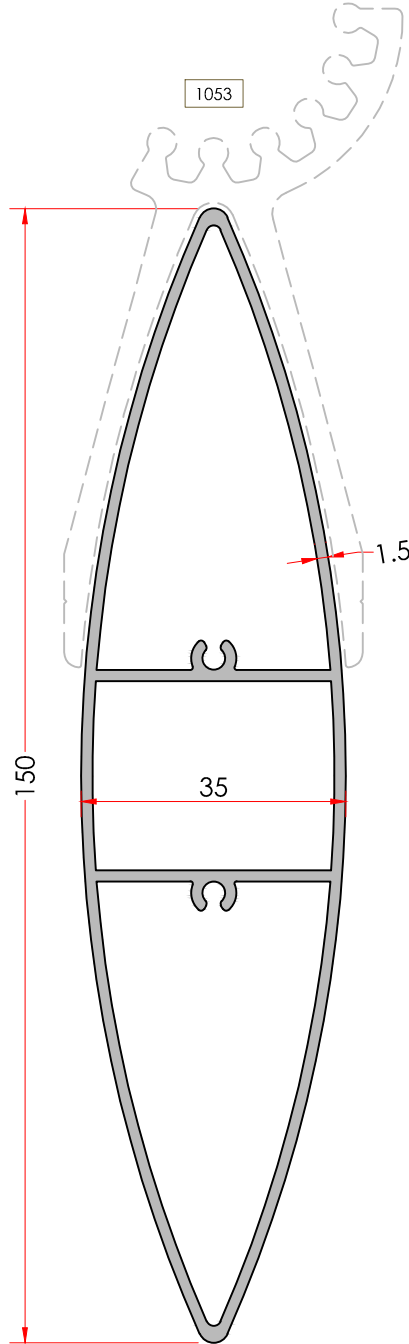
* Kalıbı yapılmadı

| System Code | Profile No | Weight kg/mt |
|-------------|------------|--------------|
| ASB07 L 05 | | 6,596 |



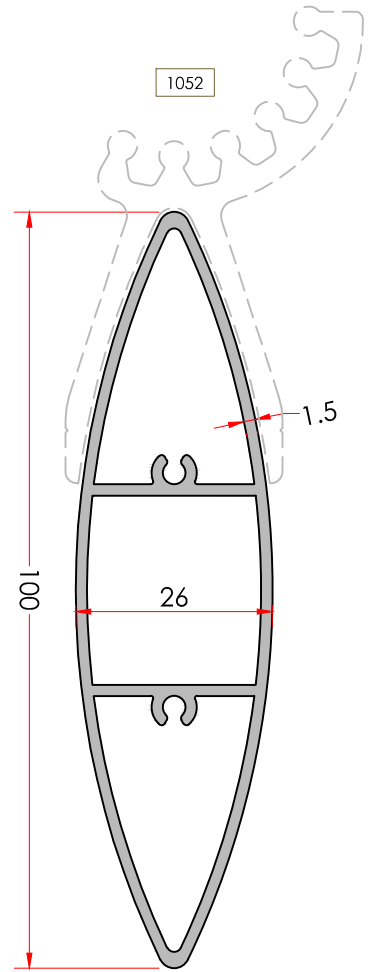
200'lük GÜNEŞ KIRICI LAMEL

| System Code | Profile No | Weight kg/mt |
|-------------|------------|--------------|
| 1066 | 1066 | 2,867 |



150'lük GÜNEŞ KIRICI LAMEL

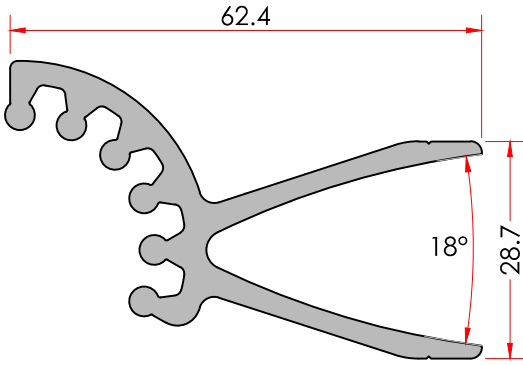
| System Code | Profile No | Weight kg/mt |
|-------------|------------|--------------|
| 1054 | 1054 | 1,570 |



100'lük GÜNEŞ KIRICI LAMEL

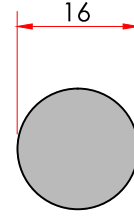
| System Code | Profile No | Weight kg/mt |
|-------------|------------|--------------|
| 1055 | 1055 | 1,082 |

2,772 olarak ağırlığını düzelt



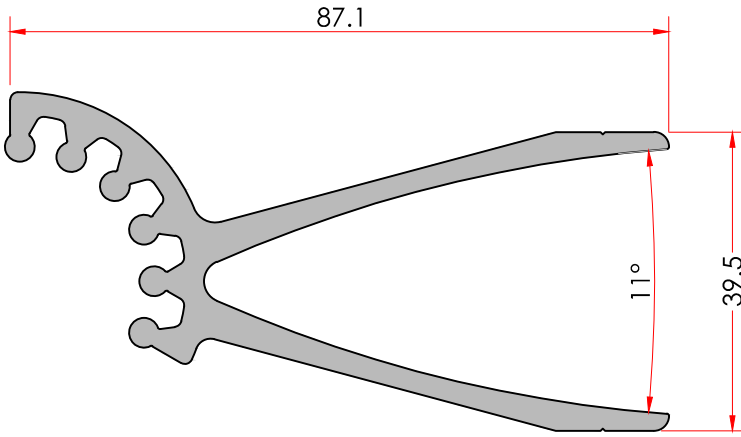
100'lük AYARLI TAŞIYICI

| System Code | Profile No | Weight kg/mt |
|-------------|------------|--------------|
| 1052 | 1052 | 1,324 |



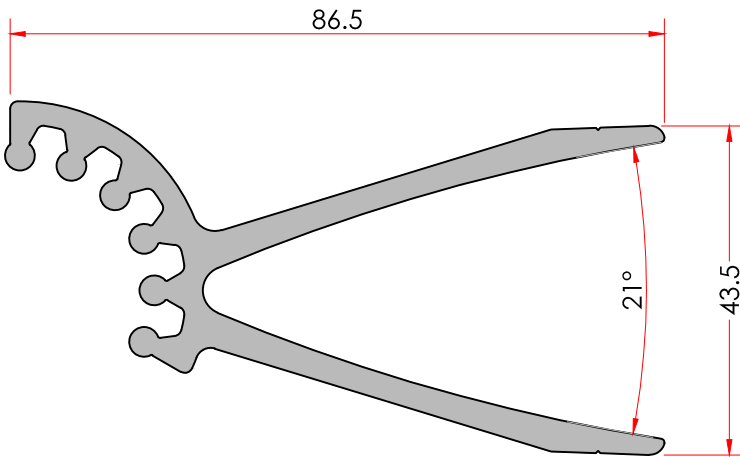
DOLU PROFİL

| System Code | Profile No | Weight kg/mt |
|-------------|------------|--------------|
| 3068 | 3068 | 0.545 |



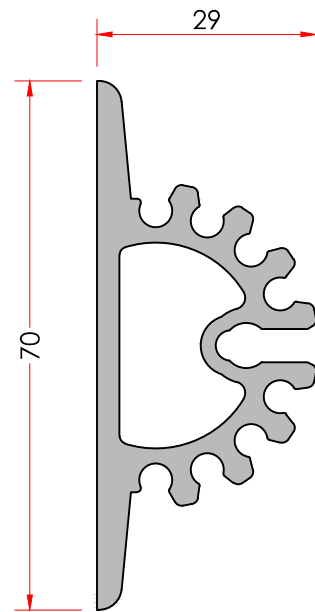
150'lük AYARLI TAŞIYICI

| System Code | Profile No | Weight kg/mt |
|-------------|------------|--------------|
| 1053 | 1053 | 1,878 |



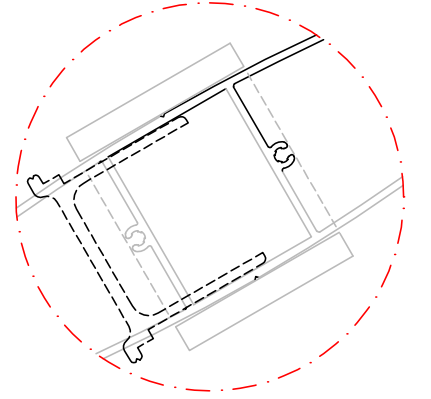
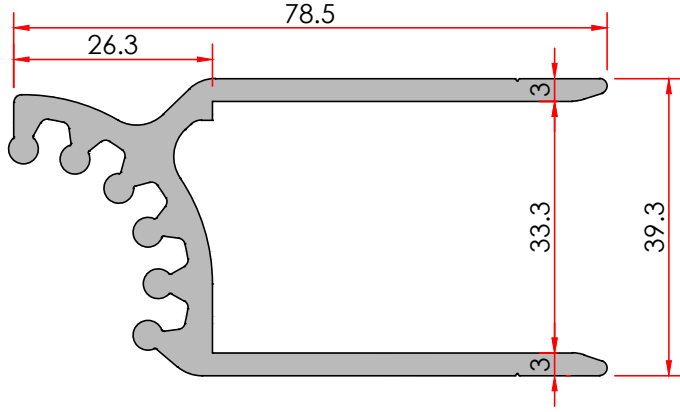
200'lük AYARLI TAŞIYICI

| System Code | Profile No | Weight kg/mt |
|-------------|------------|--------------|
| 1094 | 1094 | 1,974 |



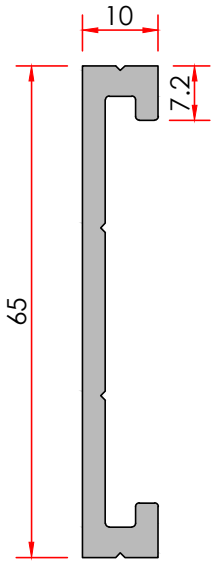
AYARLI ALT TAŞIYICI

| System Code | Profile No | Weight kg/mt |
|-------------|------------|--------------|
| 1050 | 1050 | 1,466 |



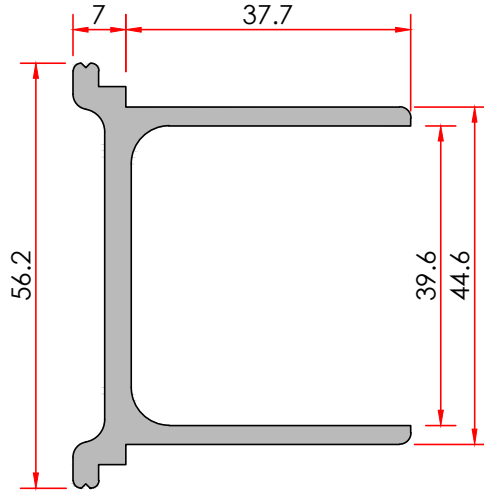
AYARLI TAŞIYICI

| System Code | Profile No | Weight kg/mt |
|-------------|------------|--------------|
| 1122 | 1122 | 1,741 |



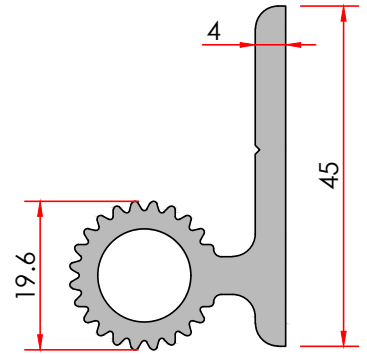
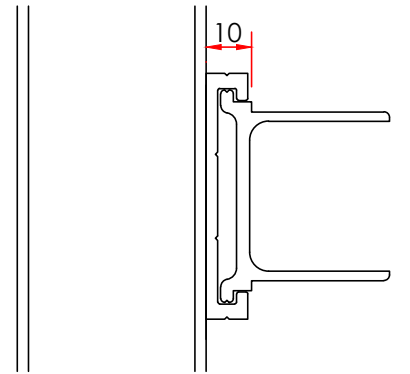
SABİT TAŞIYICI DIŞ

| System Code | Profile No | Weight kg/mt |
|-------------|------------|--------------|
| 1132 | 1132 | 0,749 |



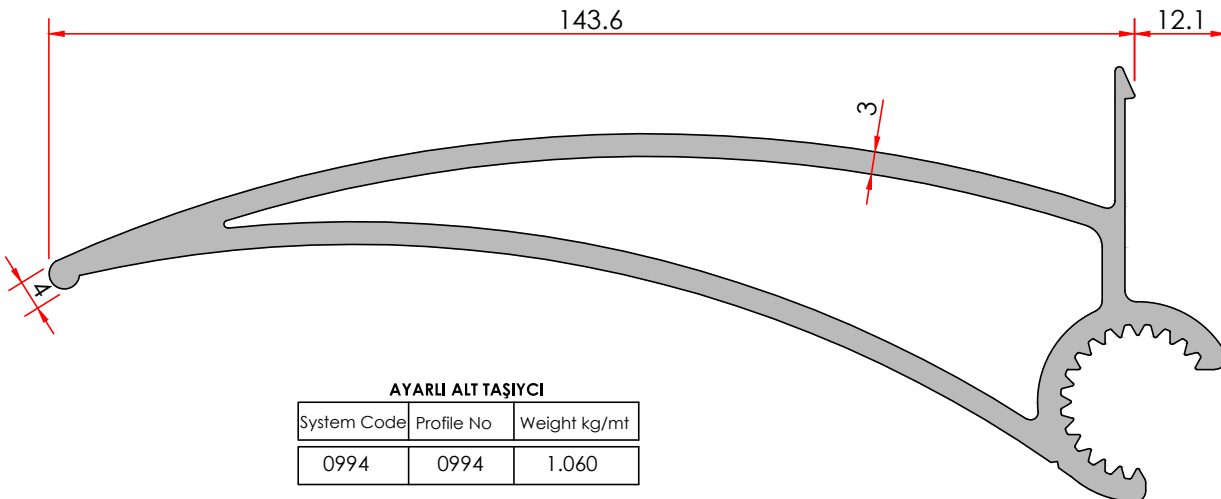
SABİT TAŞIYICI İÇ

| System Code | Profile No | Weight kg/mt |
|-------------|------------|--------------|
| 1133 | 1133 | 1,135 |



AYARLI TAŞIYICI

| System Code | Profile No | Weight kg/mt |
|-------------|------------|--------------|
| 0992 | 0992 | 0,965 |



AYARLI ALT TAŞIYICI

| System Code | Profile No | Weight kg/mt |
|-------------|------------|--------------|
| 0994 | 0994 | 1.060 |