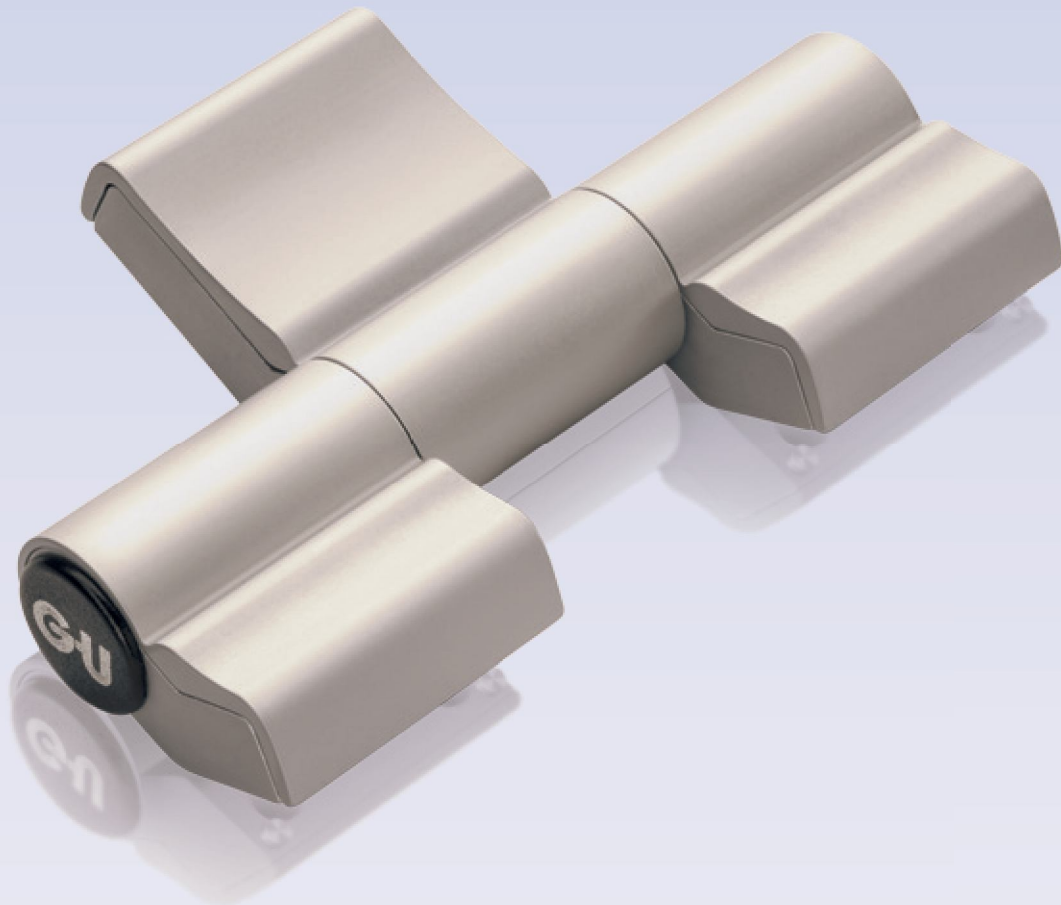


GU A 316 3D

Overview of features



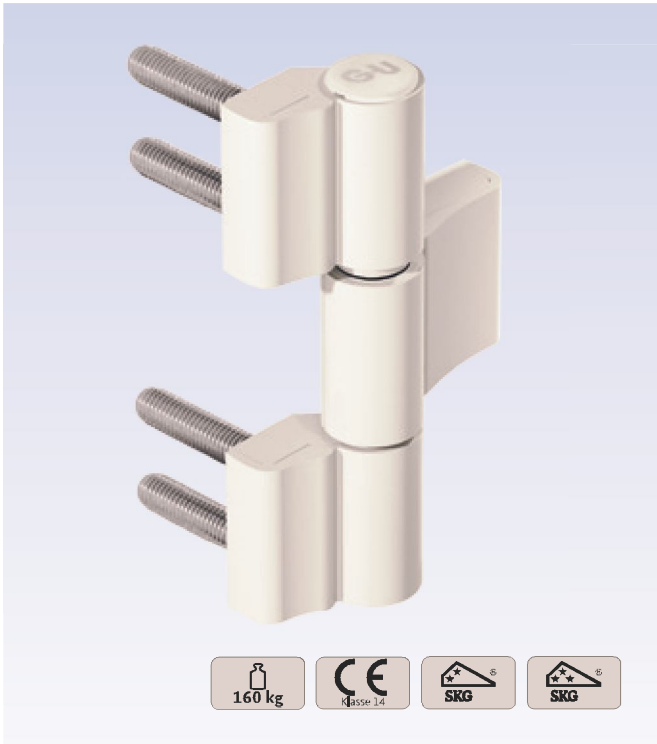
Slender but strong

- Can be used universally for metal doors in commercial and residential buildings
- Increased burglar resistance, SKG-certified, up to three stars
- CE-certified according to EN 1935, can be used for doors in escape and rescue routes
- The hinge design is retained, no roll offset following lateral adjustment
- Can continuously withstand high loads, tested up to hinge grade 14, 160 kg load-bearing capacity
- Fast installation times thanks to detachable direct screwing



GU A 316 3D – Screw-on hinge

up to 160 kg, 3-part, hole spacing 63 / 78 / 84 mm



Product information

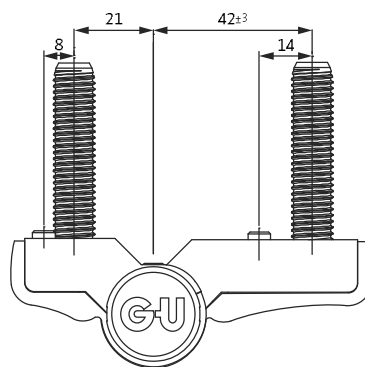
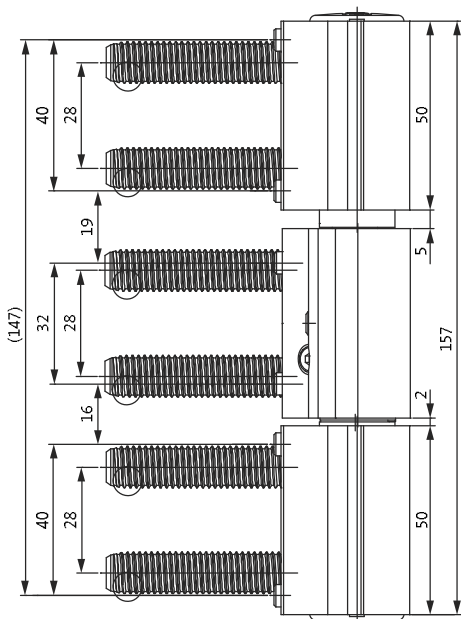
- Can continuously withstand high loads and have a filigree look
- Fast installation times when GU special self-tapping screws are used
- 3D adjustment using only one tool
- No roll offset following lateral adjustment
- Corrosion resistant hinge pin as standard
- Increased burglar resistance even when fitted externally
- Clip-on cover caps
- Maintenance-free bearing system

Version

- Non-handed, exterior and interior use

Hole spacing

- 63 mm
- 78 mm
- 84 mm



Adjustment options

- Horizontal adjustment: ± 3 mm
- Vertical adjustment: +4 mm / -1 mm
- Gasket pressure adjustment: ± 0.75 mm



GU A 316 3D – Screw-on hinge

up to 160 kg, 3-part, hole spacing 63 / 78 / 84 mm



GU A 316 3D – screw-on hinge 3-part screw-on hinges without fixing material

| Designation | Hole spacing | Frame / Leaf | PU | Order number |
|----------------|--------------|--------------------|------|----------------|
| GU A 316 3D 63 | 63 mm | F 21 mm + CL 42 mm | 1 pc | H-01787-00-0-□ |
| GU A 316 3D 78 | 78 mm | F 21 mm + CL 57 mm | 1 pc | H-01788-00-0-□ |
| GU A 316 3D 84 | 84 mm | F 42 mm + CL 42 mm | 1 pc | H-01789-00-0-□ |



Product-specific accessories

Drilling jigs GU A 316/312 3D with guides for clearance 4/5/6

| Designation | Hole spacing | Frame / Leaf | PU | Order number |
|---------------------------------|--------------|--------------------|------|----------------|
| Drilling jig GU A 316/312 3D 63 | 63 mm | F 21 mm + CL 42 mm | 1 pc | H-01790-00-0-0 |
| Drilling jig GU A 316/312 3D 78 | 78 mm | F 21 mm + CL 57 mm | 1 pc | H-01791-00-0-0 |
| Drilling jig GU A 316/312 3D 84 | 84 mm | F 42 mm + CL 42 mm | 1 pc | H-01792-00-0-0 |

*Available finishes

Silver / EV1 = 1
 Brown (RAL 8019) = 5
 White (RAL 9016) = 7
 More finishes available on request = 9

Finish

H-01787-00-0-□ = order number H-01787-00-0-7

GU A 316 3D – Screw-on hinge

up to 160 kg, 3-part, hole spacing 63 / 78 / 84 mm



Additional accessories

Backer plates

| Designation | Finish | PU | Order number |
|------------------------------------------------------------------|-----------------|--------|----------------|
| Set 30/ GU A 316 3D with installed spring + screws M8 x 30 mm | Steel | 1 pc | H-01793-01-0-0 |
| | | 10 pcs | H-01793-10-0-0 |
| | Stainless steel | 1 pc | H-01793-01-0-8 |
| | | 10 pcs | H-01793-10-0-8 |
| Set 40/ GU A 316 3D with installed spring + screws M8 x 40 mm | Steel | 1 pc | H-01794-01-0-0 |
| | | 10 pcs | H-01794-10-0-0 |
| | Stainless steel | 1 pc | H-01794-01-0-8 |
| | | 10 pcs | H-01794-10-0-8 |



Fastenings screws set

| Designation | Finish | PU | Order number |
|------------------------------------------------------------|-----------------|--------|----------------|
| Set 60/ GU A 316 3D 6 special self-tapping screws 60 mm | Steel | 1 pc | H-01795-01-0-0 |
| | | 10 pcs | H-01795-10-0-0 |
| | Stainless steel | 1 pc | H-01795-01-0-8 |
| | | 10 pcs | H-01795-10-0-8 |
| Set 76/ GU A 316 3D 6 special self-tapping screws 76 mm | Steel | 1 pc | H-01796-01-0-0 |
| | | 10 pcs | H-01796-10-0-0 |
| | Stainless steel | 1 pc | H-01796-01-0-8 |
| | | 10 pcs | H-01796-10-0-8 |