



Pwortho®

## Orthodontic Product Catalog

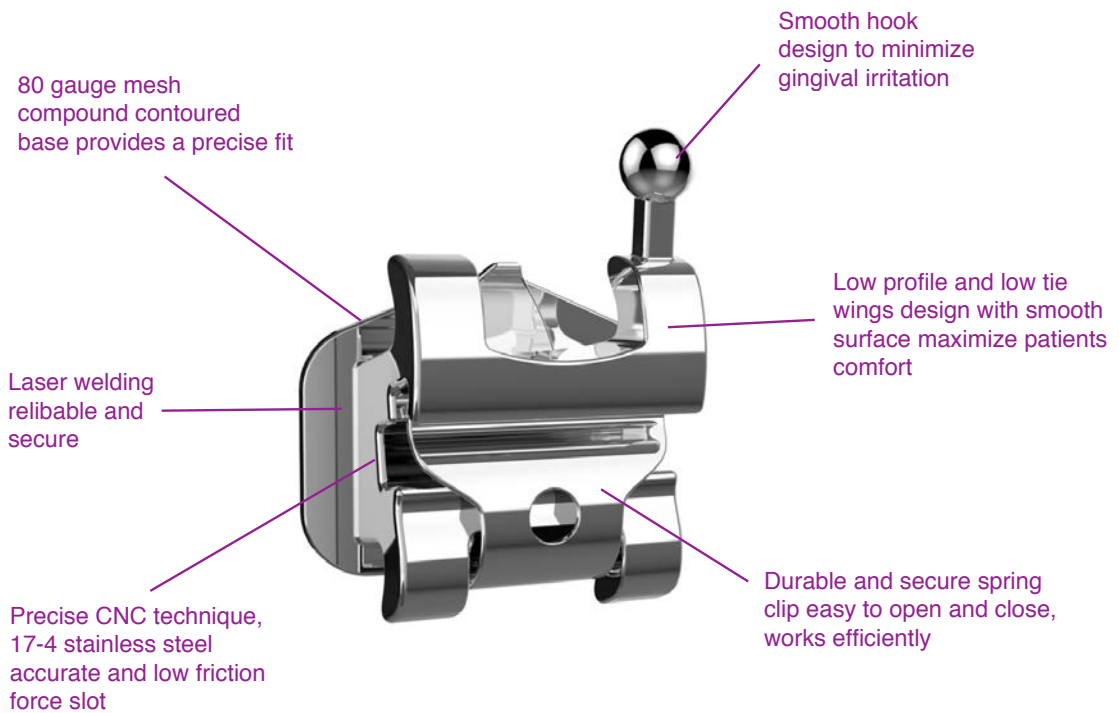


# Table of Contents

Self-Ligating Brackets	4-22
Metal Brackets	23-34
Ceramic Brackets	35-38
Buccal Tubes	39-46
Molar Bands	47-49
Ligature Wire	50-52
Arch Wires	53-56
Accessories	57-58
Elastomers	59

## Advantages of active self-ligating brackets:

1. Shorten treatment time for orthodontist, more efficient
2. Fewer and shorter appointments for patients
3. Elastomeric free treatment more aesthetic and improve oral health



Archwire Sizes	0.018" Slot	0.022" Slot
<b>Passive</b>	0.014" 0.016"	0.014" / 0.016" 0.018" / 0.020"



### Color Identification



No color ID for lower Anteriors

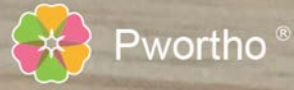
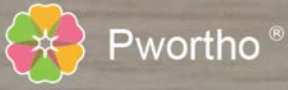
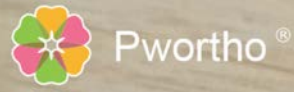
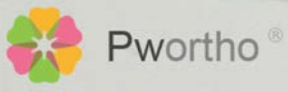
<b>Interactive</b>	0.016" x 0.016" 0.018" x 0.018"	0.018" x 0.018" 0.020" x 0.020" 0.022" x 0.018"
--------------------	------------------------------------	---



<b>Active</b>	0.017" x 0.025" 0.018" x 0.025"	0.018" x 0.025" 0.019" x 0.025" 0.021" x 0.028"
---------------	------------------------------------	---



# Active Self-Ligating Brackets 5



## Active Self-Ligating Brackets (Roth) 6

Prescription - One Case Kit	Hooks	Slot	Mini Size
<b>Roth</b> (Upper/Lower 5X5)	3 with Hook	0.022	BA212-11A
	345 with Hook (3 with distal hook and 4,5 with mesial hooks)	0.022	BA212-12A
	345 with Hook (3 with distal hook and 4,5 with distal hooks)	0.022	BA212-13A

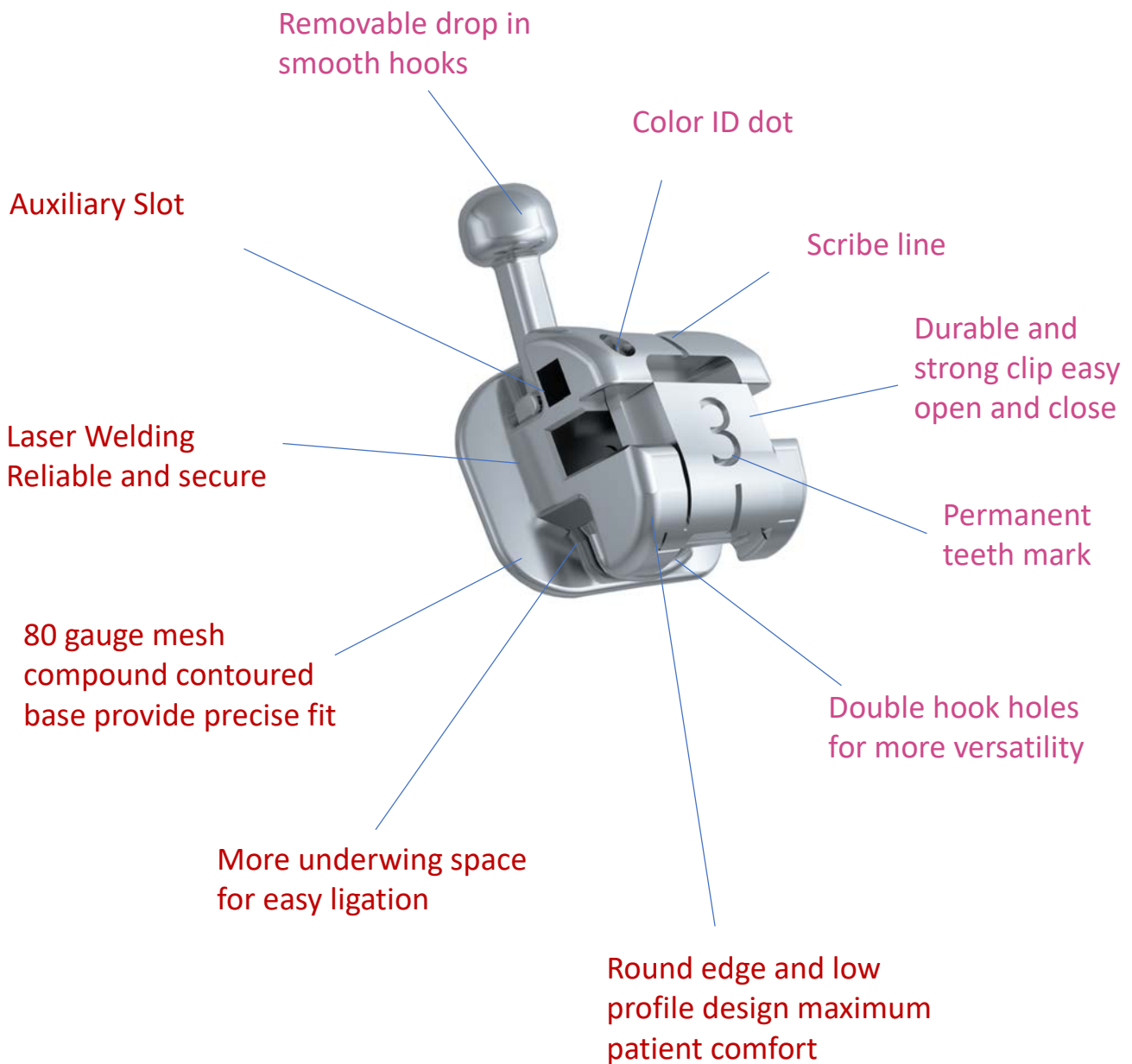
Maxillary		Torque	Angulation	L/R	Mini Size 0.022
U1	Central	12°	5°	L	BA212-10UL1
				R	BA212-10UR1
U2	Lateral	8°	9°	L	BA212-10UL2
				R	BA212-10UR2
U3	Cuspid with distal hook	-2°	11°	L	BA212-11UL3
				R	BA212-11UR3
U4	Bicuspid without hook	-7°	0°	L	BA212-10UL4
				R	BA212-10UR4
U4	Bicuspid with mesial hook	-7°	0°	L	BA212-12UL4
				R	BA212-12UR4
U4	Bicuspid with distal hook	-7°	0°	L	BA212-11UL4
				R	BA212-11UR4
U5	Bicuspid without hook	-7°	0°	L	BA212-10UL5
				R	BA212-10UR5
U5	Bicuspid with mesial hook	-7°	0°	L	BA212-12UL5
				R	BA212-12UR5
U5	Bicuspid with distal hook	-7°	0°	L	BA212-11UL5
				R	BA212-11UR5

Mandibular		Torque	Angulation	L/R	Mini Size 0.022
L1	Anterior	-1°	0°	L	BA212-10LL1
				R	BA212-10LR1
L2	Anterior	-1°	0°	L	BA212-10LL2
				R	BA212-10LR2
L3	Cuspid with distal hook	-11°	5°	L	BA212-11LL3
				R	BA212-11LR3
L4	1st Bicuspid without hook	-17°	0°	L	BA212-10LL4
				R	BA212-10LR4
L4	1st Bicuspid with mesial hook	-17°	0°	L	BA212-12LL4
				R	BA212-12LR4
L4	1st Bicuspid with distal hook	-17°	0°	L	BA212-11LL4
				R	BA212-11LR4
L5	2nd Bicuspid without hook	-22°	0°	L	BA212-10LL5
				R	BA212-10LR5
L5	2nd Bicuspid with mesial hook	-22°	0°	L	BA212-12LL5
				R	BA212-12LR5
L5	2nd Bicuspid with distal hook	-22°	0°	L	BA212-11LL5
				R	BA212-11LR5

## Active Self-Ligating Brackets (MBT) 7

Prescription - One Case Kit		Hooks		Slot	Mini Size
<b>MBT</b> (Upper/Lower 5X5)		3 with Hook		0.022	BA222-11A
		345 with Hook (3 with distal hook and 4,5 with mesial hooks)		0.022	BA222-12A
		345 with Hook (3 with distal hook and 4,5 with distal hooks)		0.022	BA222-13A
Maxillary		Torque	Angulation	L/R	Mini Size 0.022
U1	Central	17°	4°	L	BA222-10UL1
				R	BA222-10UR1
U2	Lateral	10°	8°	L	BA222-10UL2
				R	BA222-10UR2
U3	Cuspid with distal hook	0°	8°	L	BA222-11UL3
				R	BA222-11UR3
U4	Bicuspid without hook	-7°	0°	L	BA222-10UL4
				R	BA222-10UR4
U4	Bicuspid with mesial hook	-7°	0°	L	BA222-12UL4
				R	BA222-12UR4
U4	Bicuspid with distal hook	-7°	0°	L	BA222-11UL4
				R	BA222-11UR4
U5	Bicuspid without hook	-7°	0°	L	BA222-10UL5
				R	BA222-10UR5
U5	Bicuspid with mesial hook	-7°	0°	L	BA222-12UL5
				R	BA222-12UR5
U5	Bicuspid with distal hook	-7°	0°	L	BA222-11UL5
				R	BA222-11UR5
Mandibular		Torque	Angulation	L/R	Mini Size 0.022
L1	Anterior	-6°	0°	L	BA222-10LL1
				R	BA222-10LR1
L2	Anterior	-6°	0°	L	BA222-10LL2
				R	BA222-10LR2
L3	Cuspid with distal hook	0°	3°	L	BA222-11LL3
				R	BA222-11LR3
L4	1st Bicuspid without hook	-12°	2°	L	BA222-10LL4
				R	BA222-10LR4
L4	1st Bicuspid with mesial hook	-12°	2°	L	BA222-12LL4
				R	BA222-12LR4
L4	1st Bicuspid with distal hook	-12°	2°	L	BA222-11LL4
				R	BA222-11LR4
L5	2nd Bicuspid without hook	-17°	2°	L	BA222-10LL5
				R	BA222-10LR5
L5	2nd Bicuspid with mesial hook	-17°	2°	L	BA222-12LL5
				R	BA222-12LR5
L5	2nd Bicuspid with distal hook	-17°	2°	L	BA222-11LL5
				R	BA222-11LR5

# Power D



## Passive Self-Ligating Brackets (Roth) 9

Prescription - One Case Kit		Hooks			Slot	Mini Size
<b>Roth</b> (Upper/Lower 5X5)		3 with Hook			0.022	PD112-11A
		345 with Hook (3 with distal hook and 4,5 with mesial hooks)			0.022	PD112-12A
		345 with Hook (3 with distal hook and 4,5 with distal hooks)			0.022	PD112-13A
Maxillary		Torque	Angulation	L/R	Mini Size 022	
U1	Central	12°	5°	L	PD112-10UL1	
				R	PD112-10UR1	
U2	Lateral	8°	9°	L	PD112-10UL2	
				R	PD112-10UR2	
U3	Cuspid with distal hook	-2°	11°	L	PD112-11UL3	
				R	PD112-11UR3	
U4	Bicuspid without hook	-7°	0°	L	PD112-10UL4	
				R	PD112-10UR4	
U4	Bicuspid with mesial hook	-7°	0°	L	PD112-12UL4	
				R	PD112-12UR4	
U4	Bicuspid with distal hook	-7°	0°	L	PD112-11UL4	
				R	PD112-11UR4	
U5	Bicuspid without hook	-7°	0°	L	PD112-10UL5	
				R	PD112-10UR5	
U5	Bicuspid with mesial hook	-7°	0°	L	PD112-12UL5	
				R	PD112-12UR5	
U5	Bicuspid with distal hook	-7°	0°	L	PD112-11UL5	
				R	PD112-11UR5	
Mandibular		Torque	Angulation	L/R	Mini Size 0.022	
L1	Anterior	-1°	0°	L	PD112-10LL1	
				R	PD112-10LR1	
L2	Anterior	-1°	0°	L	PD112-10LL2	
				R	PD112-10LR2	
L3	Cuspid with distal hook	-11°	5°	L	PD112-11LL3	
				R	PD112-11LR3	
L4	1st Bicuspid without hook	-17°	0°	L	PD112-10LL4	
				R	PD112-10LR4	
L4	1st Bicuspid with mesial hook	-17°	0°	L	PD112-12LL4	
				R	PD112-12LR4	
L4	1st Bicuspid with distal hook	-17°	0°	L	PD112-11LL4	
				R	PD112-11LR4	
L5	2nd Bicuspid without hook	-22°	0°	L	PD112-10LL5	
				R	PD112-10LR5	
L5	2nd Bicuspid with mesial hook	-22°	0°	L	PD112-12LL5	
				R	PD112-12LR5	
L5	2nd Bicuspid with distal hook	-22°	0°	L	PD112-11LL5	
				R	PD112-11LR5	



## Passive Self-Ligating Brackets (MBT) 10

Prescription - One Case Kit	Hooks	Slot	Mini Size
<b>MBT</b> (Upper/Lower 5X5)	3 with Hook	0.022	PD122-11A
	345 with Hook (3 with distal hook and 4,5 with mesial hooks)	0.022	PD122-12A
	345 with Hook (3 with distal hook and 4,5 with distal hooks)	0.022	PD122-13A

Maxillary		Torque	Angulation	L/R	Mini Size 022
U1	Central	17°	4°	L	PD122-10UL1
				R	PD122-10UR1
U2	Lateral	10°	8°	L	PD122-10UL2
				R	PD122-10UR2
U3	Cuspid with distal hook	0°	8°	L	PD122-11UL3
				R	PD122-11UR3
U4	Bicuspid without hook	-7°	0°	L	PD122-10UL4
				R	PD122-10UR4
U4	Bicuspid with mesial hook	-7°	0°	L	PD122-12UL4
				R	PD122-12UR4
U4	Bicuspid with distal hook	-7°	0°	L	PD122-11UL4
				R	PD122-11UR4
U5	Bicuspid without hook	-7°	0°	L	PD122-10UL5
				R	PD122-10UR5
U5	Bicuspid with mesial hook	-7°	0°	L	PD122-12UL5
				R	PD122-12UR5
U5	Bicuspid with distal hook	-7°	0°	L	PD122-11UL5
				R	PD122-11UR5
Mandibular		Torque	Angulation	L/R	Mini Size 0.022
L1	Anterior	-6°	0°	L	PD122-10LL1
				R	PD122-10LR1
L2	Anterior	-6°	0°	L	PD122-10LL2
				R	PD122-10LR2
L3	Cuspid with distal hook	0°	3°	L	PD122-11LL3
				R	PD122-11LR3
L4	1st Bicuspid without hook	-12°	2°	L	PD122-10LL4
				R	PD122-10LR4
L4	1st Bicuspid with mesial hook	-12°	2°	L	PD122-12LL4
				R	PD122-12LR4
L4	1st Bicuspid with distal hook	-12°	2°	L	PD122-11LL4
				R	PD122-11LR4
L5	2nd Bicuspid without hook	-17°	2°	L	PD122-10LL5
				R	PD122-10LR5
L5	2nd Bicuspid with mesial hook	-17°	2°	L	PD122-12LL5
				R	PD122-12LR5
L5	2nd Bicuspid with distal hook	-17°	2°	L	PD122-11LL5
				R	PD122-11LR5

Prescription - One Case Kit	Hooks	Slot	Mini Size
<b>High Torque</b> (Upper/Lower 5X5)	3 with Hook	0.022	PD162-11A
	345 with Hook (3 with distal hook and 4,5 with mesial hooks)	0.022	PD162-12A
	345 with Hook (3 with distal hook and 4,5 with distal hooks)	0.022	PD162-13A

Maxillary		Torque	Angulation	L/R	Mini Size 022
U1	Central	22°	5°	L	PD162-10UL1
				R	PD162-10UR1
U2	Lateral	13°	9°	L	PD162-10UL2
				R	PD162-10UR2
U3	Cuspid with distal hook	11°	5°	L	PD162-11UL3
				R	PD162-11UR3
U4	Bicuspid without hook	-11°	2°	L	PD162-10UL4
				R	PD162-10UR4
U4	Bicuspid with mesial hook	-11°	2°	L	PD162-12UL4
				R	PD162-12UR4
U4	Bicuspid with distal hook	-11°	2°	L	PD162-11UL4
				R	PD162-11UR4
U5	Bicuspid without hook	-11°	2°	L	PD162-10UL5
				R	PD162-10UR5
U5	Bicuspid with mesial hook	-11°	2°	L	PD162-12UL5
				R	PD162-12UR5
U5	Bicuspid with distal hook	-11°	2°	L	PD162-11UL5
				R	PD162-11UR5

Mandibular		Torque	Angulation	L/R	Mini Size 0.022
L1	Anterior	-2°	0°	L	PD162-10LL1
				R	PD162-10LR1
L2	Anterior	-2°	0°	L	PD162-10LL2
				R	PD162-10LR2
L3	Cuspid with distal hook	13°	5°	L	PD162-11LL3
				R	PD162-11LR3
L4	1st Bicuspid without hook	-5°	2°	L	PD162-10LL4
				R	PD162-10LR4
L4	1st Bicuspid with mesial hook	-5°	2°	L	PD162-12LL4
				R	PD162-12LR4
L4	1st Bicuspid with distal hook	-5°	2°	L	PD162-11LL4
				R	PD162-11LR4
L5	2nd Bicuspid without hook	-17°	2°	L	PD162-10LL5
				R	PD162-10LR5
L5	2nd Bicuspid with mesial hook	-17°	2°	L	PD162-12LL5
				R	PD162-12LR5
L5	2nd Bicuspid with distal hook	-17°	2°	L	PD162-11LL5
				R	PD162-11LR5

Prescription - One Case Kit	Hooks	Slot	Mini Size
<b>Middle Torque</b> (Upper/Lower 5X5)	3 with Hook	0.022	PD172-11A
	345 with Hook (3 with distal hook and 4,5 with mesial hooks)	0.022	PD172-12A
	345 with Hook (3 with distal hook and 4,5 with distal hooks)	0.022	PD172-13A

Maxillary		Torque	Angulation	L/R	Mini Size 022
U1	Central	12°	5°	L	PD172-10UL1
				R	PD172-10UR1
U2	Lateral	8°	9°	L	PD172-10UL2
				R	PD172-10UR2
U3	Cuspid with distal hook	7°	5°	L	PD172-11UL3
				R	PD172-11UR3
U4	Bicuspid without hook	-11°	2°	L	PD172-10UL4
				R	PD172-10UR4
U4	Bicuspid with mesial hook	-11°	2°	L	PD172-12UL4
				R	PD172-12UR4
U4	Bicuspid with distal hook	-11°	2°	L	PD172-11UL4
				R	PD172-11UR4
U5	Bicuspid without hook	-11°	2°	L	PD172-10UL5
				R	PD172-10UR5
U5	Bicuspid with mesial hook	-11°	2°	L	PD172-12UL5
				R	PD172-12UR5
U5	Bicuspid with distal hook	-11°	2°	L	PD172-11UL5
				R	PD172-11UR5

Mandibular		Torque	Angulation	L/R	Mini Size 0.022
L1	Anterior	-6°	0°	L	PD172-10LL1
				R	PD172-10LR1
L2	Anterior	-6°	0°	L	PD172-10LL2
				R	PD172-10LR2
L3	Cuspid with distal hook	7°	5°	L	PD172-11LL3
				R	PD172-11LR3
L4	1st Bicuspid without hook	-12°	2°	L	PD172-10LL4
				R	PD172-10LR4
L4	1st Bicuspid with mesial hook	-12°	2°	L	PD172-12LL4
				R	PD172-12LR4
L4	1st Bicuspid with distal hook	-12°	2°	L	PD172-11LL4
				R	PD172-11LR4
L5	2nd Bicuspid without hook	-17°	2°	L	PD172-10LL5
				R	PD172-10LR5
L5	2nd Bicuspid with mesial hook	-17°	2°	L	PD172-12LL5
				R	PD172-12LR5
L5	2nd Bicuspid with distal hook	-17°	2°	L	PD172-11LL5
				R	PD172-11LR5

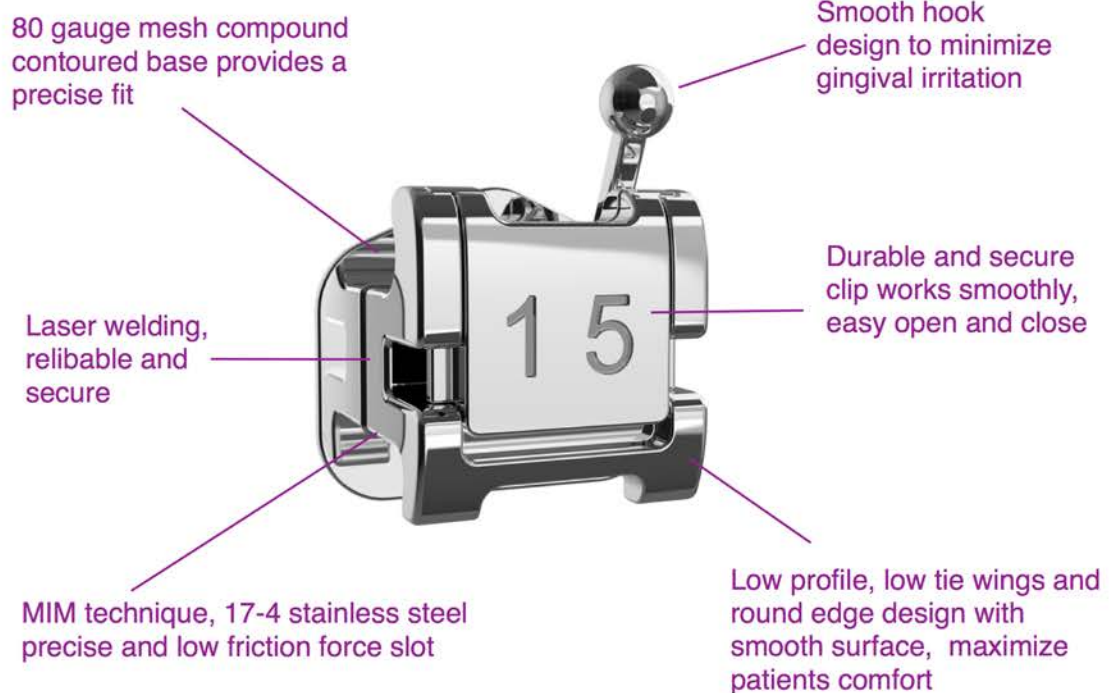
Prescription - One Case Kit		Hooks		Slot	Mini Size
<b>Low Torque</b> (Upper/Lower 5X5)		3 with Hook		0.022	PD182-11A
		345 with Hook (3 with distal hook and 4,5 with mesial hooks)		0.022	PD182-12A
		345 with Hook (3 with distal hook and 4,5 with distal hooks)		0.022	PD182-13A

Maxillary		Torque	Angulation	L/R	Mini Size 022
U1	Central	2°	5°	L	PD182-10UL1
				R	PD182-10UR1
U2	Lateral	-5°	9°	L	PD182-10UL2
				R	PD182-10UR2
U3	Cuspid with distal hook	-9°	5°	L	PD182-11UL3
				R	PD182-11UR3
U4	Bicuspid without hook	-11°	2°	L	PD182-10UL4
				R	PD182-10UR4
U4	Bicuspid with mesial hook	-11°	2°	L	PD182-12UL4
				R	PD182-12UR4
U4	Bicuspid with distal hook	-11°	2°	L	PD182-11UL4
				R	PD182-11UR4
U5	Bicuspid without hook	-11°	2°	L	PD182-10UL5
				R	PD182-10UR5
U5	Bicuspid with mesial hook	-11°	2°	L	PD182-12UL5
				R	PD182-12UR5
U5	Bicuspid with distal hook	-11°	2°	L	PD182-11UL5
				R	PD182-11UR5

Mandibular		Torque	Angulation	L/R	Mini Size 0.022
L1	Anterior	-11°	0°	L	PD182-10LL1
				R	PD182-10LR1
L2	Anterior	-11°	0°	L	PD182-10LL2
				R	PD182-10LR2
L3	Cuspid with distal hook	0°	5°	L	PD182-11LL3
				R	PD182-11LR3
L4	1st Bicuspid without hook	-12°	2°	L	PD182-10LL4
				R	PD182-10LR4
L4	1st Bicuspid with mesial hook	-12°	2°	L	PD182-12LL4
				R	PD182-12LR4
L4	1st Bicuspid with distal hook	-12°	2°	L	PD182-11LL4
				R	PD182-11LR4
L5	2nd Bicuspid without hook	-17°	2°	L	PD182-10LL5
				R	PD182-10LR5
L5	2nd Bicuspid with mesial hook	-17°	2°	L	PD182-12LL5
				R	PD182-12LR5
L5	2nd Bicuspid with distal hook	-17°	2°	L	PD182-11LL5
				R	PD182-11LR5

## Features of Passive Self-Ligating Brackets:

1. Very easy to use during practice and improves hygiene
2. Shorten treatment time and decrease appointment times
3. More comfortable and aesthetic for patients
4. Roth, MBT, High Torque, Middle Torque and Low Torque are available

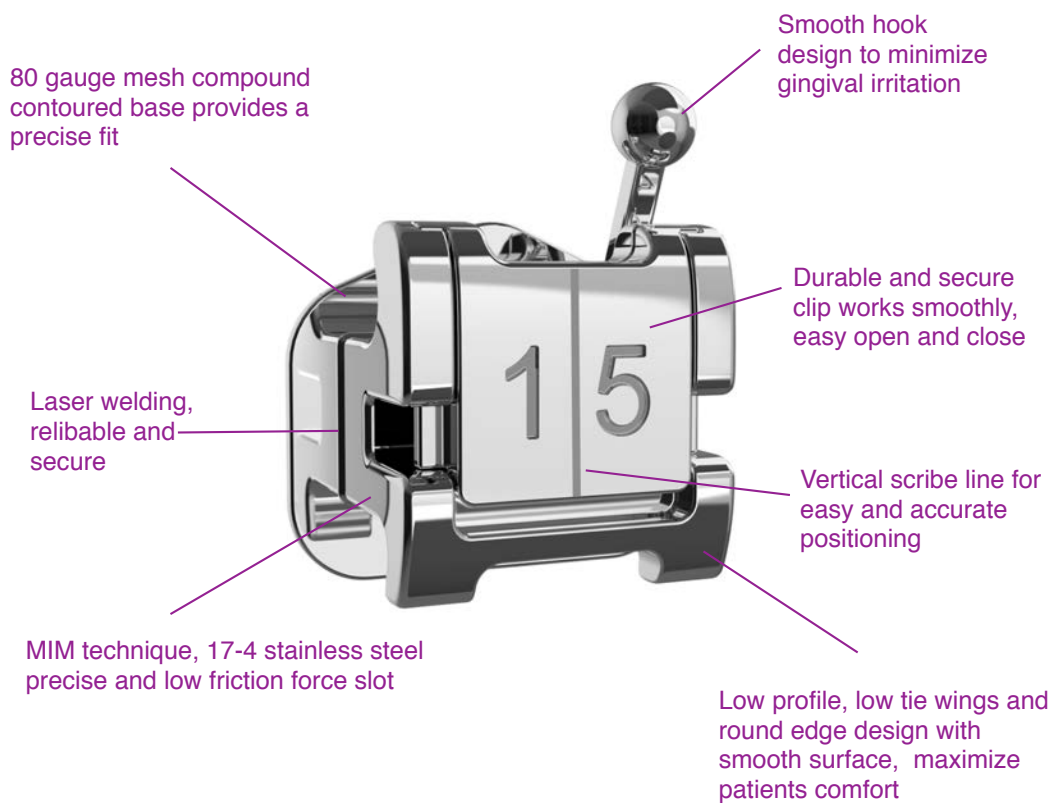


# Passive Self-Ligating Brackets 15



## Features of Passive Self-Ligating Brackets:

1. Very easy to use during practice and improves hygiene
2. Shorten treatment time and decrease appointment times
3. More comfortable and aesthetic for patients
4. Roth, MBT, High Torque, Middle Torque and Low Torque are available



# Passive Self-Ligating Brackets 17

 Pwortho®



 Pwortho®



 Pwortho®



 Pwortho®





## Passive Self-Ligating Brackets (Roth) 18

Prescription - One Case Kit		Hooks		Slot	No scribe line / With scribe line
<b>Roth</b> (Upper/Lower 5X5)		3 with Hook		0.022	BP112-11A / BP112-11AS
		345 with Hook (3 with distal hook and 4,5 with mesial hooks)		0.022	BP112-12A / BP112-12AS
		345 with Hook (3 with distal hook and 4,5 with distal hooks)		0.022	BP112-13A / BP112-13AS

Maxillary		Torque	Angulation	L/R	No scribe line / With scribe line
U1	Central	12°	5°	L	BP112-10UL1 / BP112-10UL1S
				R	BP112-10UR1 / BP112-10UR1S
U2	Lateral	8°	9°	L	BP112-10UL2 / BP112-10UL2S
				R	BP112-10UR2 / BP112-10UR2S
U3	Cuspid with distal hook	0°	11°	L	BP112-11UL3 / BP112-11UL3S
				R	BP112-11UR3 / BP112-11UR3S
U4	Bicuspid without hook	-7°	0°	L	BP112-10UL4 / BP112-10UL4S
				R	BP112-10UR4 / BP112-10UR4S
U4	Bicuspid with mesial hook	-7°	0°	L	BP112-12UL4 / BP112-12UL4S
				R	BP112-12UR4 / BP112-12UR4S
U4	Bicuspid with distal hook	-7°	0°	L	BP112-11UL4 / BP112-11UL4S
				R	BP112-11UR4 / BP112-11UR4S
U5	Bicuspid without hook	-7°	0°	L	BP112-10UL5 / BP112-10UL5S
				R	BP112-10UR5 / BP112-10UR5S
U5	Bicuspid with mesial hook	-7°	0°	L	BP112-12UL5 / BP112-12UL5S
				R	BP112-12UR5 / BP112-12UR5S
U5	Bicuspid with distal hook	-7°	0°	L	BP112-11UL5 / BP112-11UL5S
				R	BP112-11UR5 / BP112-11UR5S

Mandibular		Torque	Angulation	L/R	Mini Size 0.022
L1	Anterior	-1°	0°	L	BP112-10LL1 / BP112-10LL1S
				R	BP112-10LR1 / BP112-10LR1S
L2	Anterior	-1°	0°	L	BP112-10LL2 / BP112-10LL2S
				R	BP112-10LR2 / BP112-10LR2S
L3	Cuspid with distal hook	-11°	5°	L	BP112-11LL3 / BP112-11LL3S
				R	BP112-11LR3 / BP112-11LR3S
L4	1st Bicuspid without hook	-17°	0°	L	BP112-10LL4 / BP112-10LL4S
				R	BP112-10LR4 / BP112-10LR4S
L4	1st Bicuspid with mesial hook	-17°	0°	L	BP112-12LL4 / BP112-12LL4S
				R	BP112-12LR4 / BP112-12LR4S
L4	1st Bicuspid with distal hook	-17°	0°	L	BP112-11LL4 / BP112-11LL4S
				R	BP112-11LR4 / BP112-11LR4S
L5	2nd Bicuspid without hook	-22°	0°	L	BP112-10LL5 / BP112-10LL5S
				R	BP112-10LR5 / BP112-10LR5S
L5	2nd Bicuspid with mesial hook	-22°	0°	L	BP112-12LL5 / BP112-12LL5S
				R	BP112-12LR5 / BP112-12LR5S
L5	2nd Bicuspid with distal hook	-22°	0°	L	BP112-11LL5 / BP112-11LL5S
				R	BP112-11LR5 / BP112-11LR5S

## Passive Self-Ligating Brackets (MBT) 19

Prescription - One Case Kit	Hooks	Slot	No scribe line / With scribe line
<b>MBT</b> (Upper/Lower 5X5)	3 with Hook	0.022	BP122-11A / BP122-11AS
	345 with Hook (3 with distal hook and 4,5 with mesial hooks)	0.022	BP122-12A / BP122-12AS
	345 with Hook (3 with distal hook and 4,5 with distal hooks)	0.022	BP122-13A / BP122-13AS

Maxillary		Torque	Angulation	L/R	No scribe line / With scribe line
U1	Central	17°	4°	L	BP122-10UL1 / BP122-10UL1S
				R	BP122-10UR1 / BP122-10UR1S
U2	Lateral	10°	8°	L	BP122-10UL2 / BP122-10UL2S
				R	BP122-10UR2 / BP122-10UR2S
U3	Cuspid with distal hook	0°	8°	L	BP122-11UL3 / BP122-11UL3S
				R	BP122-11UR3 / BP122-11UR3S
U4	Bicuspid without hook	-7°	0°	L	BP122-10UL4 / BP122-10UL4S
				R	BP122-10UR4 / BP122-10UR4S
U4	Bicuspid with mesial hook	-7°	0°	L	BP122-12UL4 / BP122-12UL4S
				R	BP122-12UR4 / BP122-12UR4S
U4	Bicuspid with distal hook	-7°	0°	L	BP122-11UL4 / BP122-11UL4S
				R	BP122-11UR4 / BP122-11UR4S
U5	Bicuspid without hook	-7°	0°	L	BP122-10UL5 / BP122-10UL5S
				R	BP122-10UR5 / BP122-10UR5S
U5	Bicuspid with mesial hook	-7°	0°	L	BP122-12UL5 / BP122-12UL5S
				R	BP122-12UR5 / BP122-12UR5S
U5	Bicuspid with distal hook	-7°	0°	L	BP122-11UL5 / BP122-11UL5S
				R	BP122-11UR5 / BP122-11UR5S

Mandibular		Torque	Angulation	L/R	Mini Size 0.022
L1	Anterior	-6°	0°	L	BP122-10LL1 / BP122-10LL1S
				R	BP122-10LR1 / BP122-10LR1S
L2	Anterior	-6°	0°	L	BP122-10LL2 / BP122-10LL2S
				R	BP122-10LR2 / BP122-10LR2S
L3	Cuspid with distal hook	-6°	3°	L	BP122-11LL3 / BP122-11LL3S
				R	BP122-11LR3 / BP122-11LR3S
L4	1st Bicuspid without hook	-12°	0°	L	BP122-10LL4 / BP122-10LL4S
				R	BP122-10LR4 / BP122-10LR4S
L4	1st Bicuspid with mesial hook	-12°	0°	L	BP122-12LL4 / BP122-12LL4S
				R	BP122-12LR4 / BP122-12LR4S
L4	1st Bicuspid with distal hook	-12°	0°	L	BP122-11LL4 / BP122-11LL4S
				R	BP122-11LR4 / BP122-11LR4S
L5	2nd Bicuspid without hook	-17°	0°	L	BP122-10LL5 / BP122-10LL5S
				R	BP122-10LR5 / BP122-10LR5S
L5	2nd Bicuspid with mesial hook	-17°	0°	L	BP122-12LL5 / BP122-12LL5S
				R	BP122-12LR5 / BP122-12LR5S
L5	2nd Bicuspid with distal hook	-17°	0°	L	BP122-11LL5 / BP122-11LL5S
				R	BP122-11LR5 / BP122-11LR5S

Prescription - One Case Kit		Hooks		Slot	No scribe line / With scribe line
<b>High Torque</b> (Upper/Lower 5X5)		3 with Hook		0.022	BP162-11A / BP162-11AS
		345 with Hook (3 with distal hook and 4,5 with mesial hooks)		0.022	BP162-12A / BP162-12AS
		345 with Hook (3 with distal hook and 4,5 with distal hooks)		0.022	BP162-13A / BP162-13AS
Maxillary		Torque	Angulation	L/R	No scribe line / With scribe line
U1	Central	23°	4°	L	BP162-10UL1 / BP162-10UL1S
				R	BP162-10UR1 / BP162-10UR1S
U2	Lateral	14°	8°	L	BP162-10UL2 / BP162-10UL2S
				R	BP162-10UR2 / BP162-10UR2S
U3	Cuspid with distal hook	12°	8°	L	BP162-11UL3 / BP162-11UL3S
				R	BP162-11UR3 / BP162-11UR3S
U4	Bicuspid without hook	-8°	0°	L	BP162-10UL4 / BP162-10UL4S
				R	BP162-10UR4 / BP162-10UR4S
U4	Bicuspid with mesial hook	-8°	0°	L	BP162-12UL4 / BP162-12UL4S
				R	BP162-12UR4 / BP162-12UR4S
U4	Bicuspid with distal hook	-8°	0°	L	BP162-11UL4 / BP162-11UL4S
				R	BP162-11UR4 / BP162-11UR4S
U5	Bicuspid without hook	-8°	0°	L	BP162-10UL5 / BP162-10UL5S
				R	BP162-10UR5 / BP162-10UR5S
U5	Bicuspid with mesial hook	-8°	0°	L	BP162-12UL5 / BP162-12UL5S
				R	BP162-12UR5 / BP162-12UR5S
U5	Bicuspid with distal hook	-8°	0°	L	BP162-11UL5 / BP162-11UL5S
				R	BP162-11UR5 / BP162-11UR5S

Mandibular		Torque	Angulation	L/R	Mini Size 0.022
L1	Anterior	-2°	0°	L	BP162-10LL1 / BP162-10LL1S
				R	BP162-10LR1 / BP162-10LR1S
L2	Anterior	-2°	0°	L	BP162-10LL2 / BP162-10LL2S
				R	BP162-10LR2 / BP162-10LR2S
L3	Cuspid with distal hook	14°	3°	L	BP162-11LL3 / BP162-11LL3S
				R	BP162-11LR3 / BP162-11LR3S
L4	1st Bicuspid without hook	-4°	0°	L	BP162-10LL4 / BP162-10LL4S
				R	BP162-10LR4 / BP162-10LR4S
L4	1st Bicuspid with mesial hook	-4°	0°	L	BP162-12LL4 / BP162-12LL4S
				R	BP162-12LR4 / BP162-12LR4S
L4	1st Bicuspid with distal hook	-4°	0°	L	BP162-11LL4 / BP162-11LL4S
				R	BP162-11LR4 / BP162-11LR4S
L5	2nd Bicuspid without hook	-17°	0°	L	BP162-10LL5 / BP162-10LL5S
				R	BP162-10LR5 / BP162-10LR5S
L5	2nd Bicuspid with mesial hook	-17°	0°	L	BP162-12LL5 / BP162-12LL5S
				R	BP162-12LR5 / BP162-12LR5S
L5	2nd Bicuspid with distal hook	-17°	0°	L	BP162-11LL5 / BP162-11LL5S
				R	BP162-11LR5 / BP162-11LR5S

Prescription - One Case Kit	Hooks	Slot	No scribe line / With scribe line
<b>Middle Torque</b> (Upper/Lower 5X5)	3 with Hook	0.022	BP172-11A / BP172-11AS
	345 with Hook (3 with distal hook and 4,5 with mesial hooks)	0.022	BP172-12A / BP172-12AS
	345 with Hook (3 with distal hook and 4,5 with distal hooks)	0.022	BP172-13A / BP172-13AS

Maxillary		Torque	Angulation	L/R	No scribe line / With scribe line
U1	Central	17°	4°	L	BP172-10UL1 / BP172-10UL1S
				R	BP172-10UR1 / BP172-10UR1S
U2	Lateral	9°	8°	L	BP172-10UL2 / BP172-10UL2S
				R	BP172-10UR2 / BP172-10UR2S
U3	Cuspid with distal hook	7°	8°	L	BP172-11UL3 / BP172-11UL3S
				R	BP172-11UR3 / BP172-11UR3S
U4	Bicuspid without hook	-8°	0°	L	BP172-10UL4 / BP172-10UL4S
				R	BP172-10UR4 / BP172-10UR4S
U4	Bicuspid with mesial hook	-8°	0°	L	BP172-12UL4 / BP172-12UL4S
				R	BP172-12UR4 / BP172-12UR4S
U4	Bicuspid with distal hook	-8°	0°	L	BP172-11UL4 / BP172-11UL4S
				R	BP172-11UR4 / BP172-11UR4S
U5	Bicuspid without hook	-8°	0°	L	BP172-10UL5 / BP172-10UL5S
				R	BP172-10UR5 / BP172-10UR5S
U5	Bicuspid with mesial hook	-8°	0°	L	BP172-12UL5 / BP172-12UL5S
				R	BP172-12UR5 / BP172-12UR5S
U5	Bicuspid with distal hook	-8°	0°	L	BP172-11UL5 / BP172-11UL5S
				R	BP172-11UR5 / BP172-11UR5S

Mandibular		Torque	Angulation	L/R	Mini Size 0.022
L1	Anterior	-2°	0°	L	BP172-10LL1 / BP172-10LL1S
				R	BP172-10LR1 / BP172-10LR1S
L2	Anterior	-2°	0°	L	BP172-10LL2 / BP172-10LL2S
				R	BP172-10LR2 / BP172-10LR2S
L3	Cuspid with distal hook	7°	3°	L	BP172-11LL3 / BP172-11LL3S
				R	BP172-11LR3 / BP172-11LR3S
L4	1st Bicuspid without hook	-12°	0°	L	BP172-10LL4 / BP172-10LL4S
				R	BP172-10LR4 / BP172-10LR4S
L4	1st Bicuspid with mesial hook	-12°	0°	L	BP172-12LL4 / BP172-12LL4S
				R	BP172-12LR4 / BP172-12LR4S
L4	1st Bicuspid with distal hook	-12°	0°	L	BP172-11LL4 / BP172-11LL4S
				R	BP172-11LR4 / BP172-11LR4S
L5	2nd Bicuspid without hook	-17°	0°	L	BP172-10LL5 / BP172-10LL5S
				R	BP172-10LR5 / BP172-10LR5S
L5	2nd Bicuspid with mesial hook	-17°	0°	L	BP172-12LL5 / BP172-12LL5S
				R	BP172-12LR5 / BP172-12LR5S
L5	2nd Bicuspid with distal hook	-17°	0°	L	BP172-11LL5 / BP172-11LL5S
				R	BP172-11LR5 / BP172-11LR5S

Prescription - One Case Kit	Hooks	Slot	No scribe line / With scribe line
<b>Low Torque</b> (Upper/Lower 5X5)	3 with Hook	0.022	BP182-11A / BP182-11AS
	345 with Hook (3 with distal hook and 4,5 with mesial hooks)	0.022	BP182-12A / BP182-12AS
	345 with Hook (3 with distal hook and 4,5 with distal hooks)	0.022	BP182-13A / BP182-13AS

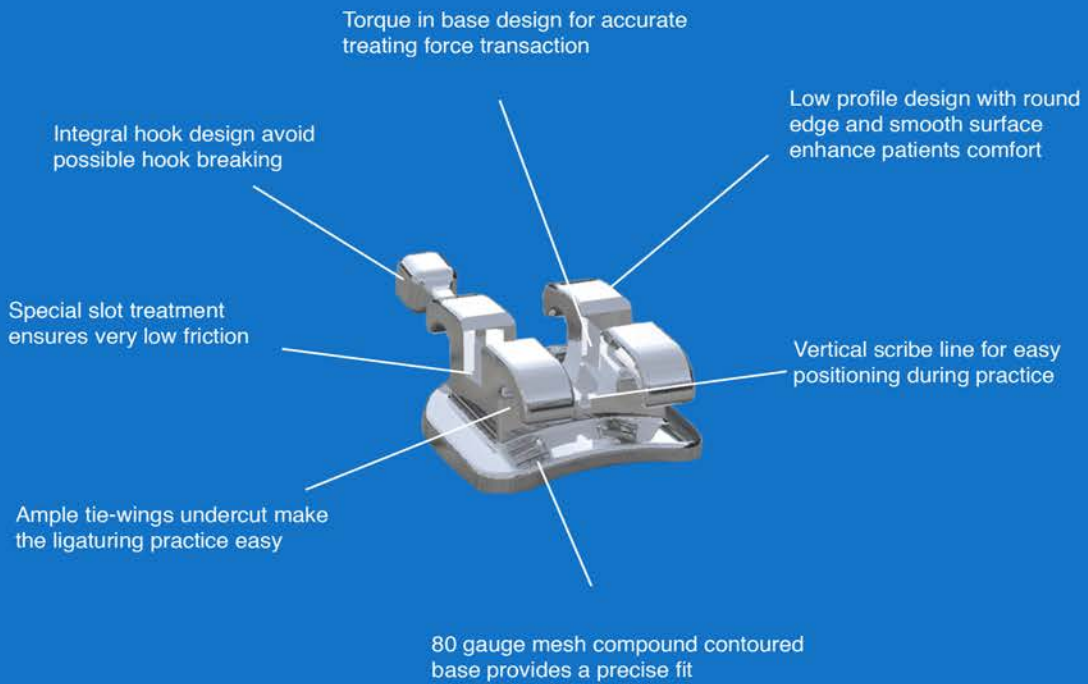
Maxillary		Torque	Angulation	L/R	No scribe line / With scribe line
U1	Central	3°	4°	L	BP182-10UL1 / BP182-10UL1S
				R	BP182-10UR1 / BP182-10UR1S
U2	Lateral	-4°	8°	L	BP182-10UL2 / BP182-10UL2S
				R	BP182-10UR2 / BP182-10UR2S
U3	Cuspid with distal hook	-8°	8°	L	BP182-11UL3 / BP182-11UL3S
				R	BP182-11UR3 / BP182-11UR3S
U4	Bicuspid without hook	-8°	0°	L	BP182-10UL4 / BP182-10UL4S
				R	BP182-10UR4 / BP182-10UR4S
U4	Bicuspid with mesial hook	-8°	0°	L	BP182-12UL4 / BP182-12UL4S
				R	BP182-12UR4 / BP182-12UR4S
U4	Bicuspid with distal hook	-8°	0°	L	BP182-11UL4 / BP182-11UL4S
				R	BP182-11UR4 / BP182-11UR4S
U5	Bicuspid without hook	-8°	0°	L	BP182-10UL5 / BP182-10UL5S
				R	BP182-10UR5 / BP182-10UR5S
U5	Bicuspid with mesial hook	-8°	0°	L	BP182-12UL5 / BP182-12UL5S
				R	BP182-12UR5 / BP182-12UR5S
U5	Bicuspid with distal hook	-8°	0°	L	BP182-11UL5 / BP182-11UL5S
				R	BP182-11UR5 / BP182-11UR5S

Mandibular		Torque	Angulation	L/R	Mini Size 0.022
L1	Anterior	-10°	0°	L	BP182-10LL1 / BP182-10LL1S
				R	BP182-10LR1 / BP182-10LR1S
L2	Anterior	-10°	0°	L	BP182-10LL2 / BP182-10LL2S
				R	BP182-10LR2 / BP182-10LR2S
L3	Cuspid with distal hook	0°	3°	L	BP182-11LL3 / BP182-11LL3S
				R	BP182-11LR3 / BP182-11LR3S
L4	1st Bicuspid without hook	-12°	0°	L	BP182-10LL4 / BP182-10LL4S
				R	BP182-10LR4 / BP182-10LR4S
L4	1st Bicuspid with mesial hook	-12°	0°	L	BP182-12LL4 / BP182-12LL4S
				R	BP182-12LR4 / BP182-12LR4S
L4	1st Bicuspid with distal hook	-12°	0°	L	BP182-11LL4 / BP182-11LL4S
				R	BP182-11LR4 / BP182-11LR4S
L5	2nd Bicuspid without hook	-17°	0°	L	BP182-10LL5 / BP182-10LL5S
				R	BP182-10LR5 / BP182-10LR5S
L5	2nd Bicuspid with mesial hook	-17°	0°	L	BP182-12LL5 / BP182-12LL5S
				R	BP182-12LR5 / BP182-12LR5S
L5	2nd Bicuspid with distal hook	-17°	0°	L	BP182-11LL5 / BP182-11LL5S
				R	BP182-11LR5 / BP182-11LR5S

## Classic Series Metal Brackets

Produced with CNC technique and strong 17-4 stainless steel, Classic series brackets were designed in Low Profile meanwhile maintain good structure to resist the forces during practice.

Classic series brackets reduced much interference of occlusion and bonding failure afterwards, improved patients comfort without sacrificing the bracket structure due to low profile design



Classic



Competitor

**Low Profile Comparison of Classic brackets and competitors brackets**

Color Identification



No color ID for lower Anteriors



# Metal Brackets (Classic Series) 25

Prescription - One Case Kit		Hooks			Slot	Mini Size	Full Size	
<h2 style="margin: 0;">Roth</h2> <p style="margin: 0;">(Upper/Lower 5X5)</p>		3 with Hook			0.018	BR011-11A	BR011-21A	
					0.022	BR012-11A	BR012-21A	
		345 with Hook			0.018	BR011-12A	BR011-22A	
		(3 with distal hook and 4,5 with mesial hooks)			0.022	BR012-12A	BR012-22A	
		345 with Hook			0.018	BR011-13A	BR011-23A	
		(3 with distal hook and 4,5 with distal hooks)			0.022	BR012-13A	BR012-23A	
Maxillary		Torque	Angulation	L/R	Mini Size		Full Size	
					0.018	0.022	0.018	0.022
U1	Central	12°	5°	L	BR011-10UL1	BR012-10UL1	BR011-20UL1	BR012-20UL1
				R	BR011-10UR1	BR012-10UR1	BR011-20UR1	BR012-20UR1
U2	Lateral	8°	9°	L	BR011-10UL2	BR012-10UL2	BR011-20UL2	BR012-20UL2
				R	BR011-10UR2	BR012-10UR2	BR011-20UR2	BR012-20UR2
U3	Cuspid with distal hook	-2°	11°	L	BR011-11UL3	BR012-11UL3	BR011-21UL3	BR012-21UL3
				R	BR011-11UR3	BR012-11UR3	BR011-21UR3	BR012-21UR3
U4	Bicuspid without hook	-7°	0°	L	BR011-10UL4	BR012-10UL4	BR011-20UL4	BR012-20UL4
				R	BR011-10UR4	BR012-10UR4	BR011-20UR4	BR012-20UR4
U4	Bicuspid with mesial hook	-7°	0°	L	BR011-12UL4	BR012-12UL4	BR011-22UL4	BR012-22UL4
				R	BR011-12UR4	BR012-12UR4	BR011-22UR4	BR012-22UR4
U4	Bicuspid with distal hook	-7°	0°	L	BR011-11UL4	BR012-11UL4	BR011-21UL4	BR012-21UL4
				R	BR011-11UR4	BR012-11UR4	BR011-21UR4	BR012-21UR4
U5	Bicuspid without hook	-7°	0°	L	BR011-10UL5	BR012-10UL5	BR011-20UL5	BR012-20UL5
				R	BR011-10UR5	BR012-10UR5	BR011-20UR5	BR012-20UR5
U5	Bicuspid with mesial hook	-7°	0°	L	BR011-12UL5	BR012-12UL5	BR011-22UL5	BR012-22UL5
				R	BR011-12UR5	BR012-12UR5	BR011-22UR5	BR012-22UR5
U5	Bicuspid with distal hook	-7°	0°	L	BR011-11UL5	BR012-11UL5	BR011-21UL5	BR012-21UL5
				R	BR011-11UR5	BR012-11UR5	BR011-21UR5	BR012-21UR5
Mandibular		Torque	Angulation	L/R	Mini Size		Full Size	
					0.018	0.022	0.018	0.022
L1	Anterior	-1°	0°	L	BR011-10LL1	BR012-10LL1	BR011-20LL1	BR012-20LL1
				R	BR011-10LR1	BR012-10LR1	BR011-20LR1	BR012-20LR1
L2	Anterior	-1°	0°	L	BR011-10LL2	BR012-10LL2	BR011-20LL2	BR012-20LL2
				R	BR011-10LR2	BR012-10LR2	BR011-20LR2	BR012-20LR2
L3	Cuspid with distal hook	-11°	5°	L	BR011-11LL3	BR012-11LL3	BR011-21LL3	BR012-21LL3
				R	BR011-11LR3	BR012-11LR3	BR011-21LR3	BR012-21LR3
L4	1st Bicuspid without hook	-17°	0°	L	BR011-10LL4	BR012-10LL4	BR011-20LL4	BR012-20LL4
				R	BR011-10LR4	BR012-10LR4	BR011-20LR4	BR012-20LR4
L4	1st Bicuspid with mesial hook	-17°	0°	L	BR011-12LL4	BR012-12LL4	BR011-22LL4	BR012-22LL4
				R	BR011-12LR4	BR012-12LR4	BR011-22LR4	BR012-22LR4
L4	1st Bicuspid with distal hook	-17°	0°	L	BR011-11LL4	BR012-11LL4	BR011-21LL4	BR012-21LL4
				R	BR011-11LR4	BR012-11LR4	BR011-21LR4	BR012-21LR4
L5	2nd Bicuspid without hook	-22°	0°	L	BR011-10LL5	BR012-10LL5	BR011-20LL5	BR012-20LL5
				R	BR011-10LR5	BR012-10LR5	BR011-20LR5	BR012-20LR5
L5	2nd Bicuspid with mesial hook	-22°	0°	L	BR011-12LL5	BR012-12LL5	BR011-22LL5	BR012-22LL5
				R	BR011-12LR5	BR012-12LR5	BR011-22LR5	BR012-22LR5
L5	2nd Bicuspid with distal hook	-22°	0°	L	BR011-11LL5	BR012-11LL5	BR011-21LL5	BR012-21LL5
				R	BR011-11LR5	BR012-11LR5	BR011-21LR5	BR012-21LR5



# Metal Brackets (Classic Series) 26

Prescription - One Case Kit		Hooks			Slot	Mini Size	Full Size
<b>MBT</b> (Upper/Lower 5X5)		3 with Hook			0.018	BR021-11A	BR021-21A
					0.022	BR022-11A	BR022-21A
		345 with Hook (3 with distal hook and 4,5 with mesial hooks)			0.018	BR021-12A	BR021-22A
					0.022	BR022-12A	BR022-22A
		345 with Hook (3 with distal hook and 4,5 with distal hooks)			0.018	BR021-13A	BR021-23A
					0.022	BR022-13A	BR022-23A

Maxillary		Torque	Angulation	L/R	Mini Size		Full Size	
					0.018	0.022	0.018	0.022
U1	Central	17°	4°	L	BR021-10UL1	BR022-10UL1	BR021-20UL1	BR022-20UL1
				R	BR021-10UR1	BR022-10UR1	BR021-20UR1	BR022-20UR1
U2	Lateral	10°	8°	L	BR021-10UL2	BR022-10UL2	BR021-20UL2	BR022-20UL2
				R	BR021-10UR2	BR022-10UR2	BR021-20UR2	BR022-20UR2
U3	Cuspid with distal hook	0°	8°	L	BR021-11UL3	BR022-11UL3	BR021-21UL3	BR022-21UL3
				R	BR021-11UR3	BR022-11UR3	BR021-21UR3	BR022-21UR3
U4	Bicuspid without hook	-7°	0°	L	BR021-10UL4	BR022-10UL4	BR021-20UL4	BR022-20UL4
				R	BR021-10UR4	BR022-10UR4	BR021-20UR4	BR022-20UR4
U4	Bicuspid with mesial hook	-7°	0°	L	BR021-12UL4	BR022-12UL4	BR021-22UL4	BR022-22UL4
				R	BR021-12UR4	BR022-12UR4	BR021-22UR4	BR022-22UR4
U4	Bicuspid with distal hook	-7°	0°	L	BR021-11UL4	BR022-11UL4	BR021-21UL4	BR022-21UL4
				R	BR021-11UR4	BR022-11UR4	BR021-21UR4	BR022-21UR4
U5	Bicuspid without hook	-7°	0°	L	BR021-10UL5	BR022-10UL5	BR021-20UL5	BR022-20UL5
				R	BR021-10UR5	BR022-10UR5	BR021-20UR5	BR022-20UR5
U5	Bicuspid with mesial hook	-7°	0°	L	BR021-12UL5	BR022-12UL5	BR021-22UL5	BR022-22UL5
				R	BR021-12UR5	BR022-12UR5	BR021-22UR5	BR022-22UR5
U5	Bicuspid with distal hook	-7°	0°	L	BR021-11UL5	BR022-11UL5	BR021-21UL5	BR022-21UL5
				R	BR021-11UR5	BR022-11UR5	BR021-21UR5	BR022-21UR5

Mandibular		Torque	Angulation	L/R	Mini Size		Full Size	
					0.018	0.022	0.018	0.022
L1	Anterior	-6°	0°	L	BR021-10LL1	BR022-10LL1	BR021-20LL1	BR022-20LL1
				R	BR021-10LR1	BR022-10LR1	BR021-20LR1	BR022-20LR1
L2	Anterior	-6°	0°	L	BR021-10LL2	BR022-10LL2	BR021-20LL2	BR022-20LL2
				R	BR021-10LR2	BR022-10LR2	BR021-20LR2	BR022-20LR2
L3	Cuspid with distal hook	0°	3°	L	BR021-11LL3	BR022-11LL3	BR021-21LL3	BR022-21LL3
				R	BR021-11LR3	BR022-11LR3	BR021-21LR3	BR022-21LR3
L4	1st Bicuspid without hook	-12°	2°	L	BR021-10LL4	BR022-10LL4	BR021-20LL4	BR022-20LL4
				R	BR021-10LR4	BR022-10LR4	BR021-20LR4	BR022-20LR4
L4	1st Bicuspid with mesial hook	-12°	2°	L	BR021-12LL4	BR022-12LL4	BR021-22LL4	BR022-22LL4
				R	BR021-12LR4	BR022-12LR4	BR021-22LR4	BR022-22LR4
L4	1st Bicuspid with distal hook	-12°	2°	L	BR021-11LL4	BR022-11LL4	BR021-21LL4	BR022-21LL4
				R	BR021-11LR4	BR022-11LR4	BR021-21LR4	BR022-21LR4
L5	2nd Bicuspid without hook	-17°	2°	L	BR021-10LL5	BR022-10LL5	BR021-20LL5	BR022-20LL5
				R	BR021-10LR5	BR022-10LR5	BR021-20LR5	BR022-20LR5
L5	2nd Bicuspid with mesial hook	-17°	2°	L	BR021-12LL5	BR022-12LL5	BR021-22LL5	BR022-22LL5
				R	BR021-12LR5	BR022-12LR5	BR021-22LR5	BR022-22LR5
L5	2nd Bicuspid with distal hook	-17°	2°	L	BR021-11LL5	BR022-11LL5	BR021-21LL5	BR022-21LL5
				R	BR021-11LR5	BR022-11LR5	BR021-21LR5	BR022-21LR5

# Metal Brackets (Classic Series) 27

Prescription - One Case Kit		Hooks			Slot	Mini Size	Full Size	
<h2 style="margin: 0;">Edgewise</h2> <p style="margin: 0;">(Upper/Lower 5X5)</p>		3 with Hook			0.018	BR031-11A	BR031-21A	
					0.022	BR032-11A	BR032-21A	
		345 with Hook			0.018	BR031-12A	BR031-22A	
		(3 with distal hook and 4,5 with mesial hooks)			0.022	BR032-12A	BR032-22A	
		345 with Hook			0.018	BR031-13A	BR031-23A	
		(3 with distal hook and 4,5 with distal hooks)			0.022	BR032-13A	BR032-23A	
Maxillary		Torque	Angulation	L/R	Mini Size		Full Size	
					0.018	0.022	0.018	0.022
U1	Central	0°	0°	L	BR031-10UL1	BR032-10UL1	BR031-20UL1	BR032-20UL1
				R	BR031-10UR1	BR032-10UR1	BR031-20UR1	BR032-20UR1
U2	Lateral	0°	0°	L	BR031-10UL2	BR032-10UL2	BR031-20UL2	BR032-20UL2
				R	BR031-10UR2	BR032-10UR2	BR031-20UR2	BR032-20UR2
U3	Cuspid with distal hook	0°	0°	L	BR031-11UL3	BR032-11UL3	BR031-21UL3	BR032-21UL3
				R	BR031-11UR3	BR032-11UR3	BR031-21UR3	BR032-21UR3
U4	Bicuspid without hook	0°	0°	L	BR031-10UL4	BR032-10UL4	BR031-20UL4	BR032-20UL4
				R	BR031-10UR4	BR032-10UR4	BR031-20UR4	BR032-20UR4
U4	Bicuspid with mesial hook	0°	0°	L	BR031-12UL4	BR032-12UL4	BR031-22UL4	BR032-22UL4
				R	BR031-12UR4	BR032-12UR4	BR031-22UR4	BR032-22UR4
U4	Bicuspid with distal hook	0°	0°	L	BR031-11UL4	BR032-11UL4	BR031-21UL4	BR032-21UL4
				R	BR031-11UR4	BR032-11UR4	BR031-21UR4	BR032-21UR4
U5	Bicuspid without hook	0°	0°	L	BR031-10UL5	BR032-10UL5	BR031-20UL5	BR032-20UL5
				R	BR031-10UR5	BR032-10UR5	BR031-20UR5	BR032-20UR5
U5	Bicuspid with mesial hook	0°	0°	L	BR031-12UL5	BR032-12UL5	BR031-22UL5	BR032-22UL5
				R	BR031-12UR5	BR032-12UR5	BR031-22UR5	BR032-22UR5
U5	Bicuspid with distal hook	0°	0°	L	BR031-11UL5	BR032-11UL5	BR031-21UL5	BR032-21UL5
				R	BR031-11UR5	BR032-11UR5	BR031-21UR5	BR032-21UR5
Mandibular		Torque	Angulation	L/R	Mini Size		Full Size	
					0.018	0.022	0.018	0.022
L1	Anterior	0°	0°	L	BR031-10LL1	BR032-10LL1	BR031-20LL1	BR032-20LL1
				R	BR031-10LR1	BR032-10LR1	BR031-20LR1	BR032-20LR1
L2	Anterior	0°	0°	L	BR031-10LL2	BR032-10LL2	BR031-20LL2	BR032-20LL2
				R	BR031-10LR2	BR032-10LR2	BR031-20LR2	BR032-20LR2
L3	Cuspid with distal hook	0°	0°	L	BR031-11LL3	BR032-11LL3	BR031-21LL3	BR032-21LL3
				R	BR031-11LR3	BR032-11LR3	BR031-21LR3	BR032-21LR3
L4	1st Bicuspid without hook	0°	0°	L	BR031-10LL4	BR032-10LL4	BR031-20LL4	BR032-20LL4
				R	BR031-10LR4	BR032-10LR4	BR031-20LR4	BR032-20LR4
L4	1st Bicuspid with mesial hook	0°	0°	L	BR031-12LL4	BR032-12LL4	BR031-22LL4	BR032-22LL4
				R	BR031-12LR4	BR032-12LR4	BR031-22LR4	BR032-22LR4
L4	1st Bicuspid with distal hook	0°	0°	L	BR031-11LL4	BR032-11LL4	BR031-21LL4	BR032-21LL4
				R	BR031-11LR4	BR032-11LR4	BR031-21LR4	BR032-21LR4
L5	2nd Bicuspid without hook	0°	0°	L	BR031-10LL5	BR032-10LL5	BR031-20LL5	BR032-20LL5
				R	BR031-10LR5	BR032-10LR5	BR031-20LR5	BR032-20LR5
L5	2nd Bicuspid with mesial hook	0°	0°	L	BR031-12LL5	BR032-12LL5	BR031-22LL5	BR032-22LL5
				R	BR031-12LR5	BR032-12LR5	BR031-22LR5	BR032-22LR5
L5	2nd Bicuspid with distal hook	0°	0°	L	BR031-11LL5	BR032-11LL5	BR031-21LL5	BR032-21LL5
				R	BR031-11LR5	BR032-11LR5	BR031-21LR5	BR032-21LR5

# Metal Brackets (Classic Series) 28

Prescription - One Case Kit		Hooks			Slot	Mini Size	Full Size
<h2>Ricketts</h2> <p>(Upper/Lower 5X5)</p>		3 with Hook			0.018	BR041-11A	BR041-21A
					0.022	BR042-11A	BR042-21A
		345 with Hook (3 with distal hook and 4,5 with mesial hooks)			0.018	BR041-12A	BR041-22A
					0.022	BR042-12A	BR042-22A
		345 with Hook (3 with distal hook and 4,5 with distal hooks)			0.018	BR041-13A	BR041-23A
					0.022	BR042-13A	BR042-23A

Maxillary		Torque	Angulation	L/R	Mini Size		Full Size	
					0.018	0.022	0.018	0.022
U1	Central	22°	5°	L	BR041-10UL1	BR042-10UL1	BR041-20UL1	BR042-20UL1
				R	BR041-10UR1	BR042-10UR1	BR041-20UR1	BR042-20UR1
U2	Lateral	14°	8°	L	BR041-10UL2	BR042-10UL2	BR041-20UL2	BR042-20UL2
				R	BR041-10UR2	BR042-10UR2	BR041-20UR2	BR042-20UR2
U3	Cuspid with distal hook	7°	5°	L	BR041-11UL3	BR042-11UL3	BR041-21UL3	BR042-21UL3
				R	BR041-11UR3	BR042-11UR3	BR041-21UR3	BR042-21UR3
U4	Bicuspid without hook	0°	0°	L	BR041-10UL4	BR042-10UL4	BR041-20UL4	BR042-20UL4
				R	BR041-10UR4	BR042-10UR4	BR041-20UR4	BR042-20UR4
U4	Bicuspid with mesial hook	0°	0°	L	BR041-12UL4	BR042-12UL4	BR041-22UL4	BR042-22UL4
				R	BR041-12UR4	BR042-12UR4	BR041-22UR4	BR042-22UR4
U4	Bicuspid with distal hook	0°	0°	L	BR041-11UL4	BR042-11UL4	BR041-21UL4	BR042-21UL4
				R	BR041-11UR4	BR042-11UR4	BR041-21UR4	BR042-21UR4
U5	Bicuspid without hook	0°	0°	L	BR041-10UL5	BR042-10UL5	BR041-20UL5	BR042-20UL5
				R	BR041-10UR5	BR042-10UR5	BR041-20UR5	BR042-20UR5
U5	Bicuspid with mesial hook	0°	0°	L	BR041-12UL5	BR042-12UL5	BR041-22UL5	BR042-22UL5
				R	BR041-12UR5	BR042-12UR5	BR041-22UR5	BR042-22UR5
U5	Bicuspid with distal hook	0°	0°	L	BR041-11UL5	BR042-11UL5	BR041-21UL5	BR042-21UL5
				R	BR041-11UR5	BR042-11UR5	BR041-21UR5	BR042-21UR5

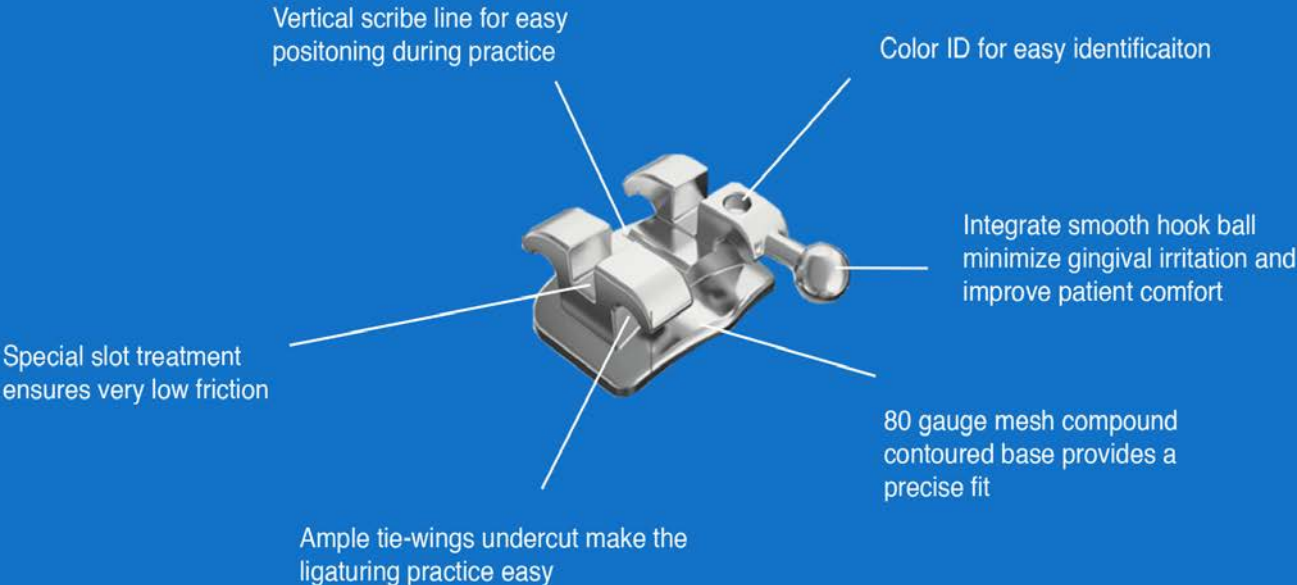
  

Mandibular		Torque	Angulation	L/R	Mini Size		Full Size	
					0.018	0.022	0.018	0.022
L1	Anterior	-1°	0°	L	BR041-10LL1	BR042-10LL1	BR041-20LL1	BR042-20LL1
				R	BR041-10LR1	BR042-10LR1	BR041-20LR1	BR042-20LR1
L2	Anterior	-1°	0°	L	BR041-10LL2	BR042-10LL2	BR041-20LL2	BR042-20LL2
				R	BR041-10LR2	BR042-10LR2	BR041-20LR2	BR042-20LR2
L3	Cuspid with distal hook	7°	5°	L	BR041-11LL3	BR042-11LL3	BR041-21LL3	BR042-21LL3
				R	BR041-11LR3	BR042-11LR3	BR041-21LR3	BR042-21LR3
L4	1st Bicuspid without hook	0°	0°	L	BR041-10LL4	BR042-10LL4	BR041-20LL4	BR042-20LL4
				R	BR041-10LR4	BR042-10LR4	BR041-20LR4	BR042-20LR4
L4	1st Bicuspid with mesial hook	0°	0°	L	BR041-12LL4	BR042-12LL4	BR041-22LL4	BR042-22LL4
				R	BR041-12LR4	BR042-12LR4	BR041-22LR4	BR042-22LR4
L4	1st Bicuspid with distal hook	0°	0°	L	BR041-11LL4	BR042-11LL4	BR041-21LL4	BR042-21LL4
				R	BR041-11LR4	BR042-11LR4	BR041-21LR4	BR042-21LR4
L5	2nd Bicuspid without hook	-11°	0°	L	BR041-10LL5	BR042-10LL5	BR041-20LL5	BR042-20LL5
				R	BR041-10LR5	BR042-10LR5	BR041-20LR5	BR042-20LR5
L5	2nd Bicuspid with mesial hook	-11°	0°	L	BR041-12LL5	BR042-12LL5	BR041-22LL5	BR042-22LL5
				R	BR041-12LR5	BR042-12LR5	BR041-22LR5	BR042-22LR5
L5	2nd Bicuspid with distal hook	-11°	0°	L	BR041-11LL5	BR042-11LL5	BR041-21LL5	BR042-21LL5
				R	BR041-11LR5	BR042-11LR5	BR041-21LR5	BR042-21LR5

# Popular Series Metal Brackets

Produced with advanced Metal Injection Module (MIM) technique, Popular series brackets are designed with a strong integrated ball hook, smooth surface and excellent polishing.

In addition, Popular series brackets also provide alternative gingival offset brackets at lower bicuspids and anteriors with bigger mesh base for stronger bonding strength.



Color Identification

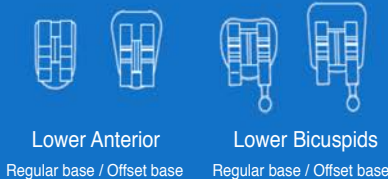
UR	UL
LR	LL

No color ID for lower Anteriors

Popular Series Brackets Provides Offset Mesh Base Options



**Offset base design increase the bonding area to avoid interference from upper teeth**





### Roth

Prescription - One Case Kit	Hooks	Slot	Mini Size	Full Size
Roth (Upper/Lower 5X5)	3 with Hook	0.018	BR111-11A	BR111-21A
		0.022	BR112-11A	BR112-21A
	345 with Hook (3 with distal hook and 4,5 with mesial hooks)	0.018	BR111-12A	BR111-22A
		0.022	BR112-12A	BR112-22A
	345 with Hook (3 with distal hook and 4,5 with distal hooks)	0.018	BR111-13A	BR111-23A
		0.022	BR112-13A	BR112-23A
Roth with offset base (Upper/Lower 5X5)	3 with Hook	0.018	BR111-11AO	N/A
		0.022	BR112-11AO	N/A
	345 with Hook (3 with distal hook and 4,5 with mesial hooks)	0.018	BR111-12AO	N/A
		0.022	BR112-12AO	N/A
	345 with Hook (3 with distal hook and 4,5 with distal hooks)	0.018	BR111-13AO	N/A
		0.022	BR112-13AO	N/A

### MBT

Prescription - One Case Kit	Hooks	Slot	Mini Size	Full Size
MBT (Upper/Lower 5X5)	3 with Hook	0.018	BR121-11A	BR121-21A
		0.022	BR122-11A	BR122-21A
	345 with Hook (3 with distal hook and 4,5 with mesial hooks)	0.018	BR121-12A	BR121-22A
		0.022	BR122-12A	BR122-22A
	345 with Hook (3 with distal hook and 4,5 with distal hooks)	0.018	BR121-13A	BR121-23A
		0.022	BR122-13A	BR122-23A
MBT with offset base (Upper/Lower 5X5)	3 with Hook	0.018	BR121-11AO	N/A
		0.022	BR122-11AO	N/A
	345 with Hook (3 with distal hook and 4,5 with mesial hooks)	0.018	BR121-12AO	N/A
		0.022	BR122-12AO	N/A
	345 with Hook (3 with distal hook and 4,5 with distal hooks)	0.018	BR121-13AO	N/A
		0.022	BR122-13AO	N/A

### Edgewise

Prescription - One Case Kit	Hooks	Slot	Mini Size	Full Size
Edgewise (Upper/Lower 5X5)	3 with Hook	0.018	BR131-11A	BR131-21A
		0.022	BR132-11A	BR132-21A
	345 with Hook (3 with distal hook and 4,5 with mesial hooks)	0.018	BR131-12A	BR131-22A
		0.022	BR132-12A	BR132-22A
	345 with Hook (3 with distal hook and 4,5 with distal hooks)	0.018	BR131-13A	BR131-23A
		0.022	BR132-13A	BR132-23A
Edgewise with offset base (Upper/Lower 5X5)	3 with Hook	0.018	BR131-11AO	N/A
		0.022	BR132-11AO	N/A
	345 with Hook (3 with distal hook and 4,5 with mesial hooks)	0.018	BR131-12AO	N/A
		0.022	BR132-12AO	N/A
	345 with Hook (3 with distal hook and 4,5 with distal hooks)	0.018	BR131-13AO	N/A
		0.022	BR132-13AO	N/A

### Roth

Maxillary		Torque	Angulation	L/R	Mini Size		Full Size	
					0.018	0.022	0.018	0.022
U1	Central	12°	5°	L	BR111-10UL1	BR112-10UL1	BR111-20UL1	BR112-20UL1
				R	BR111-10UR1	BR112-10UR1	BR111-20UR1	BR112-20UR1
U2	Lateral	8°	9°	L	BR111-10UL2	BR112-10UL2	BR111-20UL2	BR112-20UL2
				R	BR111-10UR2	BR112-10UR2	BR111-20UR2	BR112-20UR2
U3	Cuspid with distal hook	-2°	11°	L	BR111-11UL3	BR112-11UL3	BR111-21UL3	BR112-21UL3
				R	BR111-11UR3	BR112-11UR3	BR111-21UR3	BR112-21UR3
U4	Bicuspid without hook	-7°	0°	L	BR111-10UL4	BR112-10UL4	BR111-20UL4	BR112-20UL4
				R	BR111-10UR4	BR112-10UR4	BR111-20UR4	BR112-20UR4
U4	Bicuspid with mesial hook	-7°	0°	L	BR111-12UL4	BR112-12UL4	BR111-22UL4	BR112-22UL4
				R	BR111-12UR4	BR112-12UR4	BR111-22UR4	BR112-22UR4
U4	Bicuspid with distal hook	-7°	0°	L	BR111-11UL4	BR112-11UL4	BR111-21UL4	BR112-21UL4
				R	BR111-11UR4	BR112-11UR4	BR111-21UR4	BR112-21UR4
U5	Bicuspid without hook	-7°	0°	L	BR111-10UL5	BR112-10UL5	BR111-20UL5	BR112-20UL5
				R	BR111-10UR5	BR112-10UR5	BR111-20UR5	BR112-20UR5
U5	Bicuspid with mesial hook	-7°	0°	L	BR111-12UL5	BR112-12UL5	BR111-22UL5	BR112-22UL5
				R	BR111-12UR5	BR112-12UR5	BR111-22UR5	BR112-22UR5
U5	Bicuspid with distal hook	-7°	0°	L	BR111-11UL5	BR112-11UL5	BR111-21UL5	BR112-21UL5
				R	BR111-11UR5	BR112-11UR5	BR111-21UR5	BR112-21UR5
Mandibular		Torque	Angulation	L/R	Mini Size		Full Size	
					0.018	0.022	0.018	0.022
L1	Anterior	-1°	0°	L	BR111-10LL1	BR112-10LL1	BR111-20LL1	BR112-20LL1
				R	BR111-10LR1	BR112-10LR1	BR111-20LR1	BR112-20LR1
L2	Anterior	-1°	0°	L	BR111-10LL2	BR112-10LL2	BR111-20LL2	BR112-20LL2
				R	BR111-10LR2	BR112-10LR2	BR111-20LR2	BR112-20LR2
L3	Cuspid with distal hook	-11°	5°	L	BR111-11LL3	BR112-11LL3	BR111-21LL3	BR112-21LL3
				R	BR111-11LR3	BR112-11LR3	BR111-21LR3	BR112-21LR3
L4	1st Bicuspid without hook	-17°	0°	L	BR111-10LL4	BR112-10LL4	BR111-20LL4	BR112-20LL4
				R	BR111-10LR4	BR112-10LR4	BR111-20LR4	BR112-20LR4
L4	1st Bicuspid with mesial hook	-17°	0°	L	BR111-12LL4	BR112-12LL4	BR111-22LL4	BR112-22LL4
				R	BR111-12LR4	BR112-12LR4	BR111-22LR4	BR112-22LR4
L4	1st Bicuspid with distal hook	-17°	0°	L	BR111-11LL4	BR112-11LL4	BR111-21LL4	BR112-21LL4
				R	BR111-11LR4	BR112-11LR4	BR111-21LR4	BR112-21LR4
L5	2nd Bicuspid without hook	-22°	0°	L	BR111-10LL5	BR112-10LL5	BR111-20LL5	BR112-20LL5
				R	BR111-10LR5	BR112-10LR5	BR111-20LR5	BR112-20LR5
L5	2nd Bicuspid with mesial hook	-22°	0°	L	BR111-12LL5	BR112-12LL5	BR111-22LL5	BR112-22LL5
				R	BR111-12LR5	BR112-12LR5	BR111-22LR5	BR112-22LR5
L5	2nd Bicuspid with distal hook	-22°	0°	L	BR111-11LL5	BR112-11LL5	BR111-21LL5	BR112-21LL5
				R	BR111-11LR5	BR112-11LR5	BR111-21LR5	BR112-21LR5
L1	Anterior	-1°	0°	L	BR111-10LL10	BR112-10LL10	With Offset Base	
				R	BR111-10LR10	BR112-10LR10		
L2	Anterior	-1°	0°	L	BR111-10LL20	BR112-10LL20		
				R	BR111-10LR20	BR112-10LR20		
L4	1st Bicuspid without hook	-17°	0°	L	BR111-10LL40	BR112-10LL40		
				R	BR111-10LR40	BR112-10LR40		
L4	1st Bicuspid with mesial hook	-17°	0°	L	BR111-12LL40	BR112-12LL40		
				R	BR111-12LR40	BR112-12LR40		
L4	1st Bicuspid with distal hook	-17°	0°	L	BR111-11LL40	BR112-11LL40		
				R	BR111-11LR40	BR112-11LR40		
L5	2nd Bicuspid without hook	-22°	0°	L	BR111-10LL50	BR112-10LL50		
				R	BR111-10LR50	BR112-10LR50		
L5	2nd Bicuspid with mesial hook	-22°	0°	L	BR111-12LL50	BR112-12LL50		
				R	BR111-12LR50	BR112-12LR50		
L5	2nd Bicuspid with distal hook	-22°	0°	L	BR111-11LL50	BR112-11LL50		
				R	BR111-11LR50	BR112-11LR50		

# MBT (Popular Series)

Metal Brackets 33

Maxillary		Torque	Angulation	L/R	Mini Size		Full Size	
					0.018	0.022	0.018	0.022
U1	Central	17°	4°	L	BR121-10UL1	BR122-10UL1	BR121-20UL1	BR122-20UL1
				R	BR121-10UR1	BR122-10UR1	BR121-20UR1	BR122-20UR1
U2	Lateral	10°	8°	L	BR121-10UL2	BR122-10UL2	BR121-20UL2	BR122-20UL2
				R	BR121-10UR2	BR122-10UR2	BR121-20UR2	BR122-20UR2
U3	Cuspid without hook	-7°	8°	L	N/A	BR122-10UL3	BR121-20UL3	N/A
				R	N/A	BR122-10UR3	BR121-20UR3	N/A
U3	Cuspid with distal hook	0°	8°	L	BR121-11UL3	BR122-11UL3	BR121-21UL3	BR122-21UL3
				R	BR121-11UR3	BR122-11UR3	BR121-21UR3	BR122-21UR3
U4	Bicuspid without hook	-7°	0°	L	BR121-10UL4	BR122-10UL4	BR121-20UL4	BR122-20UL4
				R	BR121-10UR4	BR122-10UR4	BR121-20UR4	BR122-20UR4
U4	Bicuspid with mesial hook	-7°	0°	L	BR121-12UL4	BR122-12UL4	BR121-22UL4	BR122-22UL4
				R	BR121-12UR4	BR122-12UR4	BR121-22UR4	BR122-22UR4
U4	Bicuspid with distal hook	-7°	0°	L	BR121-11UL4	BR122-11UL4	BR121-21UL4	BR122-21UL4
				R	BR121-11UR4	BR122-11UR4	BR121-21UR4	BR122-21UR4
U5	Bicuspid without hook	-7°	0°	L	BR121-10UL5	BR122-10UL5	BR121-20UL5	BR122-20UL5
				R	BR121-10UR5	BR122-10UR5	BR121-20UR5	BR122-20UR5
U5	Bicuspid with mesial hook	-7°	0°	L	BR121-12UL5	BR122-12UL5	BR121-22UL5	BR122-22UL5
				R	BR121-12UR5	BR122-12UR5	BR121-22UR5	BR122-22UR5
U5	Bicuspid with distal hook	-7°	0°	L	BR121-11UL5	BR122-11UL5	BR121-21UL5	BR122-21UL5
				R	BR121-11UR5	BR122-11UR5	BR121-21UR5	BR122-21UR5
Mandibular		Torque	Angulation	L/R	Mini Size		Full Size	
					0.018	0.022	0.018	0.022
L1	Anterior	-6°	0°	L	BR121-10LL1	BR122-10LL1	BR121-20LL1	BR122-20LL1
				R	BR121-10LR1	BR122-10LR1	BR121-20LR1	BR122-20LR1
L2	Anterior	-6°	0°	L	BR121-10LL2	BR122-10LL2	BR121-20LL2	BR122-20LL2
				R	BR121-10LR2	BR122-10LR2	BR121-20LR2	BR122-20LR2
L3	Cuspid without hook	-6°	3°	L	N/A	BR122-10LL3	BR121-20LL3	N/A
				R	N/A	BR122-10LR3	BR121-20LR3	N/A
L3	Cuspid with distal hook	0°	3°	L	BR121-11LL3	BR122-11LL3	BR121-21LL3	BR122-21LL3
				R	BR121-11LR3	BR122-11LR3	BR121-21LR3	BR122-21LR3
L4	1st Bicuspid without hook	-12°	0°	L	BR121-10LL4	BR122-10LL4	BR121-20LL4	BR122-20LL4
				R	BR121-10LR4	BR122-10LR4	BR121-20LR4	BR122-20LR4
L4	1st Bicuspid with mesial hook	-12°	0°	L	BR121-12LL4	BR122-12LL4	BR121-22LL4	BR122-22LL4
				R	BR121-12LR4	BR122-12LR4	BR121-22LR4	BR122-22LR4
L4	1st Bicuspid with distal hook	-12°	0°	L	BR121-11LL4	BR122-11LL4	BR121-21LL4	BR122-21LL4
				R	BR121-11LR4	BR122-11LR4	BR121-21LR4	BR122-21LR4
L5	2nd Bicuspid without hook	-17°	0°	L	BR121-10LL5	BR122-10LL5	BR121-20LL5	BR122-20LL5
				R	BR121-10LR5	BR122-10LR5	BR121-20LR5	BR122-20LR5
L5	2nd Bicuspid with mesial hook	-17°	0°	L	BR121-12LL5	BR122-12LL5	BR121-22LL5	BR122-22LL5
				R	BR121-12LR5	BR122-12LR5	BR121-22LR5	BR122-22LR5
L5	2nd Bicuspid with distal hook	-17°	0°	L	BR121-11LL5	BR122-11LL5	BR121-21LL5	BR122-21LL5
				R	BR121-11LR5	BR122-11LR5	BR121-21LR5	BR122-21LR5
L1	Anterior	-6°	0°	L	BR121-10LL10	BR122-10LL10	With Offset Base	
				R	BR121-10LR10	BR122-10LR10		
L2	Anterior	-6°	0°	L	BR121-10LL20	BR122-10LL20		
				R	BR121-10LR20	BR122-10LR20		
L3	Cuspid with distal hook	0°	3°	L	BR121-11LL30	BR122-11LL30		
				R	BR121-11LR30	BR122-11LR30		
L4	1st Bicuspid without hook	-12°	0°	L	BR121-10LL40	BR122-10LL40		
				R	BR121-10LR40	BR122-10LR40		
L4	1st Bicuspid with mesial hook	-12°	0°	L	BR121-12LL40	BR122-12LL40		
				R	BR121-12LR40	BR122-12LR40		
L4	1st Bicuspid with distal hook	-12°	0°	L	BR121-11LL40	BR122-11LL40		
				R	BR121-11LR40	BR122-11LR40		
L5	2nd Bicuspid without hook	-17°	0°	L	BR121-10LL50	BR122-10LL50		
				R	BR121-10LR50	BR122-10LR50		
L5	2nd Bicuspid with mesial hook	-17°	0°	L	BR121-12LL50	BR122-12LL50		
				R	BR121-12LR50	BR122-12LR50		
L5	2nd Bicuspid with distal hook	-17°	0°	L	BR121-11LL50	BR122-11LL50		
				R	BR121-11LR50	BR122-11LR50		



Edgewise

Maxillary		Torque	Angulation	L/R	Mini Size		Full Size	
					0.018	0.022	0.018	0.022
U1	Central	0°	0°	L	BR131-10UL1	BR132-10UL1	BR131-20UL1	BR132-20UL1
				R	BR131-10UR1	BR132-10UR1	BR131-20UR1	BR132-20UR1
U2	Lateral	0°	0°	L	BR131-10UL2	BR132-10UL2	BR131-20UL2	BR132-20UL2
				R	BR131-10UR2	BR132-10UR2	BR131-20UR2	BR132-20UR2
U3	Cuspid with distal hook	0°	0°	L	BR131-11UL3	BR132-11UL3	BR131-21UL3	BR132-21UL3
				R	BR131-11UR3	BR132-11UR3	BR131-21UR3	BR132-21UR3
U4	Bicuspid without hook	0°	0°	L	BR131-10UL4	BR132-10UL4	BR131-20UL4	BR132-20UL4
				R	BR131-10UR4	BR132-10UR4	BR131-20UR4	BR132-20UR4
U4	Bicuspid with mesial hook	0°	0°	L	BR131-12UL4	BR132-12UL4	BR131-22UL4	BR132-22UL4
				R	BR131-12UR4	BR132-12UR4	BR131-22UR4	BR132-22UR4
U4	Bicuspid with distal hook	0°	0°	L	BR131-11UL4	BR132-11UL4	BR131-21UL4	BR132-21UL4
				R	BR131-11UR4	BR132-11UR4	BR131-21UR4	BR132-21UR4
U5	Bicuspid without hook	0°	0°	L	BR131-10UL5	BR132-10UL5	BR131-20UL5	BR132-20UL5
				R	BR131-10UR5	BR132-10UR5	BR131-20UR5	BR132-20UR5
U5	Bicuspid with mesial hook	0°	0°	L	BR131-12UL5	BR132-12UL5	BR131-22UL5	BR132-22UL5
				R	BR131-12UR5	BR132-12UR5	BR131-22UR5	BR132-22UR5
U5	Bicuspid with distal hook	0°	0°	L	BR131-11UL5	BR132-11UL5	BR131-21UL5	BR132-21UL5
				R	BR131-11UR5	BR132-11UR5	BR131-21UR5	BR132-21UR5
Mandibular		Torque	Angulation	L/R	Mini Size		Full Size	
					0.018	0.022	0.018	0.022
L1	Anterior	0°	0°	L	BR131-10LL1	BR132-10LL1	BR131-20LL1	BR132-20LL1
				R	BR131-10LR1	BR132-10LR1	BR131-20LR1	BR132-20LR1
L2	Anterior	0°	0°	L	BR131-10LL2	BR132-10LL2	BR131-20LL2	BR132-20LL2
				R	BR131-10LR2	BR132-10LR2	BR131-20LR2	BR132-20LR2
L3	Cuspid with distal hook	0°	0°	L	BR131-11LL3	BR132-11LL3	BR131-21LL3	BR132-21LL3
				R	BR131-11LR3	BR132-11LR3	BR131-21LR3	BR132-21LR3
L4	1st Bicuspid without hook	0°	0°	L	BR131-10LL4	BR132-10LL4	BR131-20LL4	BR132-20LL4
				R	BR131-10LR4	BR132-10LR4	BR131-20LR4	BR132-20LR4
L4	1st Bicuspid with mesial hook	0°	0°	L	BR131-12LL4	BR132-12LL4	BR131-22LL4	BR132-22LL4
				R	BR131-12LR4	BR132-12LR4	BR131-22LR4	BR132-22LR4
L4	1st Bicuspid with distal hook	0°	0°	L	BR131-11LL4	BR132-11LL4	BR131-21LL4	BR132-21LL4
				R	BR131-11LR4	BR132-11LR4	BR131-21LR4	BR132-21LR4
L5	2nd Bicuspid without hook	0°	0°	L	BR131-10LL5	BR132-10LL5	BR131-20LL5	BR132-20LL5
				R	BR131-10LR5	BR132-10LR5	BR131-20LR5	BR132-20LR5
L5	2nd Bicuspid with mesial hook	0°	0°	L	BR131-12LL5	BR132-12LL5	BR131-22LL5	BR132-22LL5
				R	BR131-12LR5	BR132-12LR5	BR131-22LR5	BR132-22LR5
L5	2nd Bicuspid with distal hook	0°	0°	L	BR131-11LL5	BR132-11LL5	BR131-21LL5	BR132-21LL5
				R	BR131-11LR5	BR132-11LR5	BR131-21LR5	BR132-21LR5
L1	Anterior	0°	0°	L	BR131-10LL10	BR132-10LL10	With Offset Base	
				R	BR131-10LR10	BR132-10LR10		
L2	Anterior	0°	0°	L	BR131-10LL20	BR132-10LL20		
				R	BR131-10LR20	BR132-10LR20		
L4	1st Bicuspid without hook	0°	0°	L	BR131-10LL40	BR132-10LL40		
				R	BR131-10LR40	BR132-10LR40		
L4	1st Bicuspid with mesial hook	0°	0°	L	BR131-12LL40	BR132-12LL40		
				R	BR131-12LR40	BR132-12LR40		
L4	1st Bicuspid with distal hook	0°	0°	L	BR131-11LL40	BR132-11LL40		
				R	BR131-11LR40	BR132-11LR40		
L5	2nd Bicuspid without hook	0°	0°	L	BR131-10LL50	BR132-10LL50		
				R	BR131-10LR50	BR132-10LR50		
L5	2nd Bicuspid with mesial hook	0°	0°	L	BR131-12LL50	BR132-12LL50		
				R	BR131-12LR50	BR132-12LR50		
L5	2nd Bicuspid with distal hook	0°	0°	L	BR131-11LL50	BR132-11LL50		
				R	BR131-11LR50	BR132-11LR50		

**Main features of dental orthodontic ceramic brackets:**

1. Made of aluminum oxide poly-crystalalline.
2. Monoblock Injection ensures smooth surface, excellent strength and best aesthetic.
3. Better base design provides stable mechanical bonding strength and debonding easily.
4. Roth, MBT, Edgewise, 0.018" / 0.022" slot are available



Prescription - One Case Kit	Hooks	Slot	Part Number
<b>Roth</b> (Upper/Lower 5X5)	No Hook	0.018	BC311-10A
		0.022	BC312-10A
	3 with Hook	0.018	BC311-11A
		0.022	BC312-11A
	345 with Hook	0.018	BC311-13A
		0.022	BC312-13A

Maxillary		Torque	Angulation	L/R	Part Number	
					0.018 slot	0.022 slot
U1	Central	12°	5°	L	BC311-10UL1	BC312-10UL1
				R	BC311-10UR1	BC312-10UR1
U2	Lateral	8°	9°	L	BC311-10UL2	BC312-10UL2
				R	BC311-10UR2	BC312-10UR2
U3	Cuspid with distal hook	-2°	11°	L	BC311-11UL3	BC312-11UL3
				R	BC311-11UR3	BC312-11UR3
U4	Bicuspid with distal hook	-7°	0°	L	BC311-11UL4	BC312-11UL4
				R	BC311-11UR4	BC312-11UR4
U5	Bicuspid with distal hook	-7°	0°	L	BC311-11UL5	BC312-11UL5
				R	BC311-11UR5	BC312-11UR5

Mandibular		Torque	Angulation	L/R	Part Number	
					0.018 slot	0.022 slot
L1	Anterior	-1°	0°	L	BC311-10LL1	BC312-10LL1
				R	BC311-10LR1	BC312-10LR1
L2	Anterior	-1°	0°	L	BC311-10LL2	BC312-10LL2
				R	BC311-10LR2	BC312-10LR2
L3	Cuspid with distal hook	-12°	5°	L	BC311-11LL3	BC312-11LL3
				R	BC311-11LR3	BC312-11LR3
L4	1st Bicuspid with distal hook	-17°	0°	L	BC311-11LL4	BC312-11LL4
				R	BC311-11LR4	BC312-11LR4
L5	2nd Bicuspid with distal hook	-22°	0°	L	BC311-11LL5	BC312-11LL5
				R	BC311-11LR5	BC312-11LR5

## Ceramic Brackets (MBT) 37

Prescription - One Case Kit	Hooks	Slot	Part Number
<b>MBT</b> (Upper/Lower 5X5)	No Hook	0.018	BC321-10A
		0.022	BC322-10A
	3 with Hook	0.018	BC321-11A
		0.022	BC322-11A
	345 with Hook	0.018	BC321-13A
		0.022	BC322-13A

Maxillary		Torque	Angulation	L/R	Part Number	
					0.018 slot	0.022 slot
U1	Central	17°	4°	L	BC321-10UL1	BC322-10UL1
				R	BC321-10UR1	BC322-10UR1
U2	Lateral	10°	8°	L	BC321-10UL2	BC322-10UL2
				R	BC321-10UR2	BC322-10UR2
U3	Cuspid with distal hook	-8°	8°	L	BC321-11UL3	BC322-11UL3
				R	BC321-11UR3	BC322-11UR3
U4	Bicuspid with distal hook	-7°	0°	L	BC321-11UL4	BC322-11UL4
				R	BC321-11UR4	BC322-11UR4
U5	Bicuspid with distal hook	-7°	0°	L	BC321-11UL5	BC322-11UL5
				R	BC321-11UR5	BC322-11UR5

Mandibular		Torque	Angulation	L/R	Part Number	
					0.018 slot	0.022 slot
L1	Anterior	-6°	0°	L	BC321-10LL1	BC322-10LL1
				R	BC321-10LR1	BC322-10LR1
L2	Anterior	-6°	0°	L	BC321-10LL2	BC322-10LL2
				R	BC321-10LR2	BC322-10LR2
L3	Cuspid with distal hook	-12°	3°	L	BC321-11LL3	BC322-11LL3
				R	BC321-11LR3	BC322-11LR3
L4	1st Bicuspid with distal hook	-10°	0°	L	BC321-11LL4	BC322-11LL4
				R	BC321-11LR4	BC322-11LR4
L5	2nd Bicuspid with distal hook	-17°	0°	L	BC321-11LL5	BC322-11LL5
				R	BC321-11LR5	BC322-11LR5

## Ceramic Brackets (Edgewise) 38

Prescription - One Case Kit	Hooks	Slot	Part Number
<b>Edgewise</b> (Upper/Lower 5X5)	No Hook	0.018	BC331-10A
		0.022	BC332-10A
	3 with Hook	0.018	BC331-11A
		0.022	BC332-11A
	345 with Hook	0.018	BC331-13A
		0.022	BC332-13A

Maxillary		Torque	Angulation	L/R	Part Number	
					0.018 slot	0.022 slot
U1	Central	0°	0°	L	BC331-10UL1	BC332-10UL1
				R	BC331-10UR1	BC332-10UR1
U2	Lateral	0°	0°	L	BC331-10UL2	BC332-10UL2
				R	BC331-10UR2	BC332-10UR2
U3	Cuspid with distal hook	0°	0°	L	BC331-11UL3	BC332-11UL3
				R	BC331-11UR3	BC332-11UR3
U4	Bicuspid with distal hook	0°	0°	L	BC331-11UL4	BC332-11UL4
				R	BC331-11UR4	BC332-11UR4
U5	Bicuspid with distal hook	0°	0°	L	BC331-11UL5	BC332-11UL5
				R	BC331-11UR5	BC332-11UR5

Mandibular		Torque	Angulation	L/R	Part Number	
					0.018 slot	0.022 slot
L1	Anterior	0°	0°	L	BC331-10LL1	BC332-10LL1
				R	BC331-10LR1	BC332-10LR1
L2	Anterior	0°	0°	L	BC331-10LL2	BC332-10LL2
				R	BC331-10LR2	BC332-10LR2
L3	Cuspid with distal hook	0°	0°	L	BC331-11LL3	BC332-11LL3
				R	BC331-11LR3	BC332-11LR3
L4	1st Bicuspid with distal hook	0°	0°	L	BC331-11LL4	BC332-11LL4
				R	BC331-11LR4	BC332-11LR4
L5	2nd Bicuspid with distal hook	0°	0°	L	BC331-11LL5	BC332-11LL5
				R	BC331-11LR5	BC332-11LR5

## Pomp Series Buccal Tubes



### Features:

1. Non Convertible Bondable Tubes with Rectangular Funneled Entrance
2. Low Profile Design
3. MIM manufacturing technique provides accurate slot size, smooth slot surface to reduce archwire friction
4. Permanent teeth number and color ID for easy identification
5. Smooth tube surface to minimize the irritation of oral mucosa
6. Buccal indent
7. Smooth tube surface to minimize the irritation of oral mucosa
8. 80 gauge mesh base with anatomical contour and shape
9. More mesh base shapes for selection

### Color Identification



# Buccal Tubes 40

## Pomp Series Buccal Tube



			B-Type				C-Type			
Upper 1st Molar Single			Non Convertible				Non Convertible			
			0.018		0.022		0.018		0.022	
System	Torque	offset	UR	UL	UR	UL	UR	UL	UR	UL
Edgewise	0°	0°	TU111-1116B	TU111-1126B	TU112-1116B	TU112-1126B	TU111-1116C	TU111-1126C	TU112-1116C	TU112-1126C
Roth	-14°	10°	TU121-1116B	TU121-1126B	TU122-1116B	TU122-1126B	TU121-1116C	TU121-1126C	TU122-1116C	TU122-1126C
MBT	-14°	10°	TU131-1116B	TU131-1126B	TU132-1116B	TU132-1126B	TU131-1116C	TU131-1126C	TU132-1116C	TU132-1126C
Lower 1st Molar Single			Non Convertible				Non Convertible			
			0.018		0.022		0.018		0.022	
System	Torque	offset	LL	LR	LL	LR	LL	LR	LL	LR
Edgewise	0°	0°	TU111-1136B	TU111-1146B	TU112-1136B	TU112-1146B	TU111-1136C	TU111-1146C	TU112-1136C	TU112-1146C
Roth	-25°	4°	TU121-1136B	TU121-1146B	TU122-1136B	TU122-1146B	TU121-1136C	TU121-1146C	TU122-1136C	TU122-1146C
MBT	-20°	0°	TU131-1136B	TU131-1146B	TU132-1136B	TU132-1146B	TU131-1136C	TU131-1146C	TU132-1136C	TU132-1146C



			D-Type				E-Type			
Upper 2nd Molar Single			Non Convertible				Non Convertible			
			0.018		0.022		0.018		0.022	
System	Torque	offset	UR	UL	UR	UL	UR	UL	UR	UL
Edgewise	0°	0°	TU111-1117D	TU111-1127D	TU112-1117D	TU112-1127D	TU111-1117E	TU111-1127E	TU112-1117E	TU112-1127E
Roth	-14°	10°	TU121-1117D	TU121-1127D	TU122-1117D	TU122-1127D	TU121-1117E	TU121-1127E	TU122-1117E	TU122-1127E
MBT	-14°	10°	TU131-1117D	TU131-1127D	TU132-1117D	TU132-1127D	TU131-1117E	TU131-1127E	TU132-1117E	TU132-1127E
Lower 2nd Molar Single			Non Convertible				Non Convertible			
			0.018		0.022		0.018		0.022	
System	Torque	offset	LL	LR	LL	LR	LL	LR	LL	LR
Edgewise	0°	0°	TU111-1137D	TU111-1147D	TU112-1137D	TU112-1147D	TU111-1137E	TU111-1147E	TU112-1137E	TU112-1147E
Roth	-25°	4°	TU121-1137D	TU121-1147D	TU122-1137D	TU122-1147D	TU121-1137E	TU121-1147E	TU122-1137E	TU122-1147E
MBT	-10°	0°	TU131-1137D	TU131-1147D	TU132-1137D	TU132-1147D	TU131-1137E	TU131-1147E	TU132-1137E	TU132-1147E

## Self Ligating Buccal Tube

1 <sup>st</sup> Molar Single			0.022"			
System	Torque	offset	UR	UL	LL	LR
MBT	-14°	10°	TU332-0116	TU332-0126	TU332-0136	TU332-0146

## Glory Series Buccal Tubes



1. Convertible and Non Convertible with round funneled entrance
2. Bondable Tubes with Round Funneled Entrance / Weldable
3. MIM manufacturing technique provides accurate slot size, smooth slot surface to reduce archwire friction
4. Occlusal-Gingival notches help to secure forceps gripping and easy placing tube on tooth surface
5. Smooth tube surface to minimize the irritation of oral mucosa
6. Color ID for easy identification
7. 80 gauge mesh base with anatomical contour and shape
8. Smooth tube surface to minimize the irritation of oral mucosa
9. More mesh base shapes for selection

### Color Identification





# Buccal Tubes 42

## Glory Series Buccal Tubes (Upper 1<sup>st</sup> Molar 0.022 slot)

B-Type



C-Type



Upper 1st Molar			0.022							
			Weldable				Bondable			
			Convertible		Non Convertible		Convertible		Non Convertible	
System	Torque	offset	UR	UL	UR	UL	UR	UL	UR	UL

### Upper Single



Edgewise	0°	0°	TW212-2116	TW212-2126	TW212-1116	TW212-1126	TU212-2116B/C	TU212-2126B/C	TU212-1116B/C	TU212-1126B/C
Roth	-14°	10°	TW222-2116	TW222-2126	TW222-1116	TW222-1126	TU222-2116B/C	TU222-2126B/C	TU222-1116B/C	TU222-1126B/C
MBT	-14°	10°	TW232-2116	TW232-2126	TW232-1116	TW232-1126	TU232-2116B/C	TU232-2126B/C	TU232-1116B/C	TU232-1126B/C

### Upper Double Combination w/.045" Occlusal Headgear Tube



Edgewise	0°	0°	TW212-2216	TW212-2226			TU212-2216B/C	TU212-2226B/C		
Roth	-14°	10°	TW222-2216	TW222-2226	TW222-1216	TW222-1226	TU222-2216B/C	TU222-2226B/C		
MBT	-14°	10°	TW232-2216	TW232-2226	TW232-1216	TW232-1226	TU232-2216B/C	TU232-2226B/C		

### Upper Double Combination w/.045" Gingival Headgear Tube



Roth	-14°	-10°	TW222-2316	TW222-2326						
------	------	------	------------	------------	--	--	--	--	--	--

### Upper Double Rectangular



Edgewise	0°	0°	TW212-2416	TW212-2426			TU212-2416B/C	TU212-2426B/C		
Roth	-14°	10°	TW222-2416	TW222-2426	TW222-1416	TW222-1426	TU222-2416B/C	TU222-2426B/C		
MBT	-14°	10°	TW232-2416	TW232-2426	TW232-1416	TW232-1426	TU232-2416B/C	TU232-2426B/C		

### Upper Triple Combination w/ a rectangular and a .045" Occlusal Headgear Tube



Edgewise	0°	0°	TW212-2516	TW212-2526			TU212-2516B/C	TU212-2526B/C		
Roth	-14°	10°	TW222-2516	TW222-2526	TW222-1516	TW222-1526	TU222-2516B/C	TU222-2526B/C		
MBT	-14°	10°	TW232-2516	TW232-2526	TW232-1516	TW232-1526	TU232-2516B/C	TU232-2526B/C		

# Buccal Tubes 43

## Glory Series Buccal Tubes (Lower 1<sup>st</sup> Molar 0.022 slot)



Lower 1st Molar			0.022							
			Weldable				Bondable			
			Convertible		Non Convertible		Convertible		Non Convertible	
System	Torque	offset	LL	LR	LL	LR	LL	LR	LL	LR

### Lower Single



Edgewise	0°	0°	TW212-2136	TW212-2146	TW212-1136	TW212-1146	TU212-2136B/C	TU212-2146B/C	TU212-1136B/C	TU212-1146B/C
Roth	-25°	4°	TW222-2136	TW222-2146	TW222-1136	TW222-1146	TU222-2136B/C	TU222-2146B/C	TU222-1136B/C	TU222-1146B/C
MBT	-20°	0°	TW232-2136	TW232-2146	TW232-1136	TW232-1146	TU232-2136B/C	TU232-2146B/C	TU232-1136B/C	TU232-1146B/C

### Lower Double Combination w/.045" Gingival Lip Bumper Tube



Roth	-25°	4°	TW222-2336	TW222-2346						
------	------	----	------------	------------	--	--	--	--	--	--

### Lower Double Rectangular



Edgewise	0°	0°	TW212-2436	TW212-2446			TU212-2436B/C	TU212-2446B/C		
Roth	-25°	4°	TW222-2436	TW222-2446	TW222-1436	TW222-1446	TU222-2436B/C	TU222-2446B/C		
MBT	-20°	0°	TW232-2436	TW232-2446	TW232-1436	TW232-1446	TU232-2436B/C	TU232-2446B/C		

# Buccal Tubes 44

## Glory Series Buccal Tubes (Upper 1<sup>st</sup> Molar 0.018 slot)

B-Type



C-Type



Upper 1st Molar			0.018							
			Weldable				Bondable			
			Convertible		Non Convertible		Convertible		Non Convertible	
System	Torque	offset	UR	UL	UR	UL	UR	UL	UR	UL

### Upper Single



Edgewise	0°	0°	TW211-2116	TW211-2126	TW211-1116	TW211-1126	TU211-2116B/C	TU211-2126B/C	TU211-1116B/C	TU211-1126B/C
Roth	-14°	10°	TW221-2116	TW221-2126	TW221-1116	TW221-1126	TU221-2116B/C	TU221-2126B/C	TU221-1116B/C	TU221-1126B/C
MBT	-14°	10°	TW231-2116	TW231-2126	TW231-1116	TW231-1126	TU231-2116B/C	TU231-2126B/C	TU231-1116B/C	TU231-1126B/C

### Upper Double Combination w/.045" Occlusal Headgear Tube



Edgewise	0°	0°	TW211-2216	TW211-2226			TU211-2216B/C	TU211-2226B/C		
Roth	-14°	10°	TW221-2216	TW221-2226	TW221-1216	TW221-1226	TU221-2216B/C	TU221-2226B/C		
MBT	-14°	10°	TW231-2216	TW231-2226	TW231-1216	TW231-1226	TU231-2216B/C	TU231-2226B/C		

### Upper Double Rectangular



Edgewise	0°	0°	TW211-2416	TW211-2426			TU211-2416B/C	TU211-2426B/C		
Roth	-14°	10°	TW221-2416	TW221-2426	TW221-1416	TW221-1426	TU221-2416B/C	TU221-2426B/C		
MBT	-14°	10°	TW231-2416	TW231-2426	TW231-1416	TW231-1426	TU231-2416B/C	TU231-2426B/C		

### Upper Triple Combination w/ a rectangular and a .045" Occlusal Headgear Tube



Edgewise	0°	0°	TW211-2516	TW211-2526			TU211-2516B/C	TU211-2526B/C		
Roth	-14°	10°	TW221-2516	TW221-2526	TW221-1516	TW221-1526	TU221-2516B/C	TU221-2526B/C		
MBT	-14°	10°	TW231-2516	TW231-2526	TW231-1516	TW231-1526	TU231-2516B/C	TU231-2526B/C		

# Buccal Tubes 45

## Glory Series Buccal Tubes (Lower 1<sup>st</sup> Molar 0.018 slot)



Lower 1st Molar			0.018							
			Weldable				Bondable			
			Convertible		Non Convertible		Convertible		Non Convertible	
System	Torque	offset	LL	LR	LL	LR	LL	LR	LL	LR

### Lower Single



Edgewise	0°	0°	TW211-2136	TW211-2146	TW211-1136	TW211-1146	TU211-2136B/C	TU211-2146B/C	TU211-1136B/C	TU211-1146B/C
Roth	-25°	4°	TW221-2136	TW221-2146	TW221-1136	TW221-1146	TU221-2136B/C	TU221-2146B/C	TU221-1136B/C	TU221-1146B/C
MBT	-20°	0°	TW231-2136	TW231-2146	TW231-1136	TW231-1146	TU231-2136B/C	TU231-2146B/C	TU231-1136B/C	TU231-1146B/C

### Lower Double Combination w/.045" Gingival Lip Bumper Tube



Roth	-25°	4°	TW221-2336	TW221-2346						
------	------	----	------------	------------	--	--	--	--	--	--

### Lower Double Rectangular



Edgewise	0°	0°	TW211-2436	TW211-2446			TU211-2436B/C	TU211-2446B/C	TW211-2436	TW211-2446
Roth	-25°	4°	TW221-2436	TW221-2446	TW221-1436	TW221-1446	TU221-2436B/C	TU221-2446B/C	TW221-2436	TW221-2446
MBT	-20°	0°	TW231-2436	TW231-2446	TW231-1436	TW231-1446	TU231-2436B/C	TU231-2446B/C	TW231-2436	TW231-2446

# Buccal Tubes 46

## Glory Series Buccal Tubes (2<sup>nd</sup> Molar)



Upper 2nd Molar			0.022					
			Weldable		Bondable		Bondable	
			Non Convertible		Non Convertible		Non Convertible	
System	Torque	offset	UR	UL	UR	UL	UR	UL

### Upper Single



Edgewise	0°	0°	TW212-1117	TW212-1127	TU212-1117D	TU212-1127D	TU212-1117E	TU212-1127E
Roth	-14°	10°	TW222-1117	TW222-1127	TU222-1117D	TU222-1127D	TU222-1117E	TU222-1127E
MBT	-14°	10°	TW232-1117	TW232-1127	TU232-1117D	TU232-1127D	TU232-1117E	TU232-1127E

Lower 2nd Molar			0.022					
			Weldable		Bondable		Bondable	
			Non Convertible		Non Convertible		Non Convertible	
System	Torque	offset	LL	LR	LL	LR	LL	LR

### Lower Single



Edgewise	0°	0°	TW212-1137	TW212-1147	TU212-1137D	TU212-1147D	TU212-1137E	TU212-1147E
Roth	-25°	4°	TW222-1137	TW222-1147	TU222-1137D	TU222-1147D	TU222-1137E	TU222-1147E
MBT	-10°	0°	TW232-1137	TW232-1147	TU232-1137D	TU232-1147D	TU232-1137E	TU232-1147E

Upper 2nd Molar			0.018					
			Weldable		Bondable		Bondable	
			Non Convertible		Non Convertible		Non Convertible	
System	Torque	offset	UR	UL	UR	UL	UR	UL

### Upper Single



Edgewise	0°	0°	TW211-1117	TW211-1127	TU211-1117D	TU211-1127D	TU211-1117E	TU211-1127E
Roth	-14°	10°	TW221-1117	TW221-1127	TU221-1117D	TU221-1127D	TU221-1117E	TU221-1127E
MBT	-14°	10°	TW231-1117	TW231-1127	TU231-1117D	TU231-1127D	TU231-1117E	TU231-1127E

Lower 2nd Molar			0.018					
			Weldable		Bondable		Bondable	
			Non Convertible		Non Convertible		Non Convertible	
System	Torque	offset	LL	LR	LL	LR	LL	LR

### Lower Single



Edgewise	0°	0°	TW211-1137	TW211-1147	TU211-1137D	TU211-1147D	TU211-1137E	TU211-1147E
Roth	-25°	4°	TW221-1137	TW221-1147	TU221-1137D	TU221-1147D	TU221-1137E	TU221-1147E
MBT	-10°	0°	TW231-1137	TW231-1147	TU231-1137D	TU231-1147D	TU231-1137E	TU231-1147E

# 1<sup>st</sup> Molar Band



## Features:

1. Interior surface of the band is rough finished that ensures maximum bonding strength
2. A buccal cusp indent groove and lingual cusp indent eliminates the possible occlusal interference
3. Smooth surface and rolled edge enhances patient comfort
4. Laser marks for easy permanent identification
5. Sizes available for 1st Molar: #28, #28+.....#44, total 33 sizes.

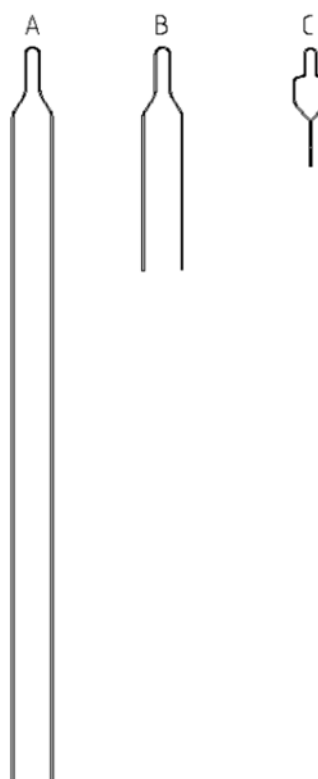
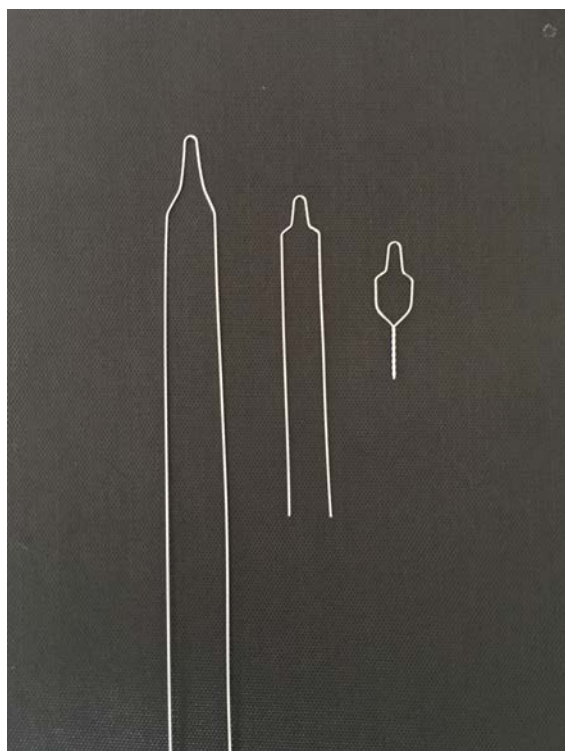
## Molar Band 48

Size	Perimeter (mm)		Part Number			
	Upper	Lower	UR	UL	LL	LR
28	28	28	BM6UR-280	BM6UL-280	BM6LL-280	BM6LR-280
28+	28.5	28.5	BM6UR-285	BM6UL-285	BM6LL-285	BM6LR-285
29	29	29	BM6UR-290	BM6UL-290	BM6LL-290	BM6LR-290
29+	29.5	29.5	BM6UR-295	BM6UL-295	BM6LL-295	BM6LR-295
30	30	30	BM6UR-300	BM6UL-300	BM6LL-300	BM6LR-300
30+	30.5	30.5	BM6UR-305	BM6UL-305	BM6LL-305	BM6LR-305
31	31	31	BM6UR-310	BM6UL-310	BM6LL-310	BM6LR-310
31+	31.5	31.5	BM6UR-315	BM6UL-315	BM6LL-315	BM6LR-315
32	32	32	BM6UR-320	BM6UL-320	BM6LL-320	BM6LR-320
32+	32.5	32.5	BM6UR-325	BM6UL-325	BM6LL-325	BM6LR-325
33	33	33	BM6UR-330	BM6UL-330	BM6LL-330	BM6LR-330
33+	33.5	33.5	BM6UR-335	BM6UL-335	BM6LL-335	BM6LR-335
34	34	34	BM6UR-340	BM6UL-340	BM6LL-340	BM6LR-340
34+	34.5	34.5	BM6UR-345	BM6UL-345	BM6LL-345	BM6LR-345
35	35	35	BM6UR-350	BM6UL-350	BM6LL-350	BM6LR-350
35+	35.5	35.5	BM6UR-355	BM6UL-355	BM6LL-355	BM6LR-355
36	36	36	BM6UR-360	BM6UL-360	BM6LL-360	BM6LR-360
36+	36.5	36.5	BM6UR-365	BM6UL-365	BM6LL-365	BM6LR-365
37	37	37	BM6UR-370	BM6UL-370	BM6LL-370	BM6LR-370
37+	37.5	37.5	BM6UR-375	BM6UL-375	BM6LL-375	BM6LR-375
38	38	38	BM6UR-380	BM6UL-380	BM6LL-380	BM6LR-380
38+	38.5	38.5	BM6UR-385	BM6UL-385	BM6LL-385	BM6LR-385
39	39	39	BM6UR-390	BM6UL-390	BM6LL-390	BM6LR-390
39+	39.5	39.5	BM6UR-395	BM6UL-395	BM6LL-395	BM6LR-395
40	40	40	BM6UR-400	BM6UL-400	BM6LL-400	BM6LR-400
40+	40.5	40.5	BM6UR-405	BM6UL-405	BM6LL-405	BM6LR-405
41	41	41	BM6UR-410	BM6UL-410	BM6LL-410	BM6LR-410
41+	41.5	41.5	BM6UR-415	BM6UL-415	BM6LL-415	BM6LR-415
42	42	42	BM6UR-420	BM6UL-420	BM6LL-420	BM6LR-420
42+	42.5	42.5	BM6UR-425	BM6UL-425	BM6LL-425	BM6LR-425
43	43	43	BM6UR-430	BM6UL-430	BM6LL-430	BM6LR-430
43+	43.5	43.5	BM6UR-435	BM6UL-435	BM6LL-435	BM6LR-435
44	44	44	BM6UR-440	BM6UL-440	BM6LL-440	BM6LR-440



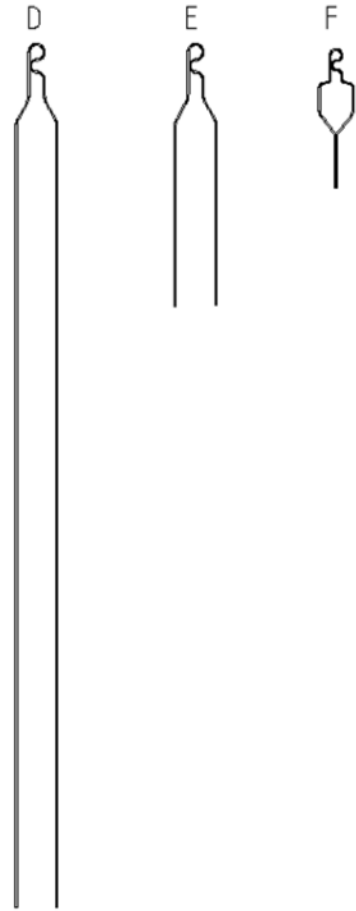
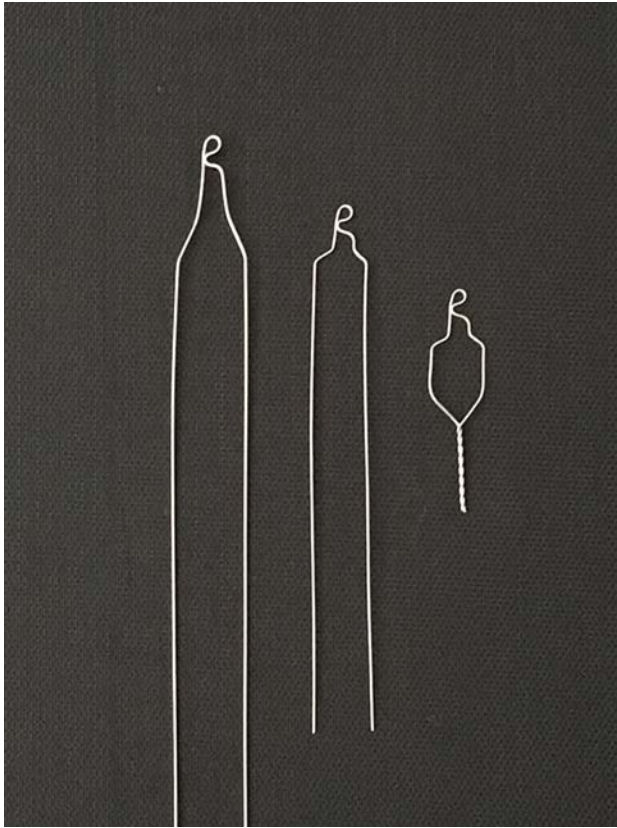


Preformed Ligature Wire

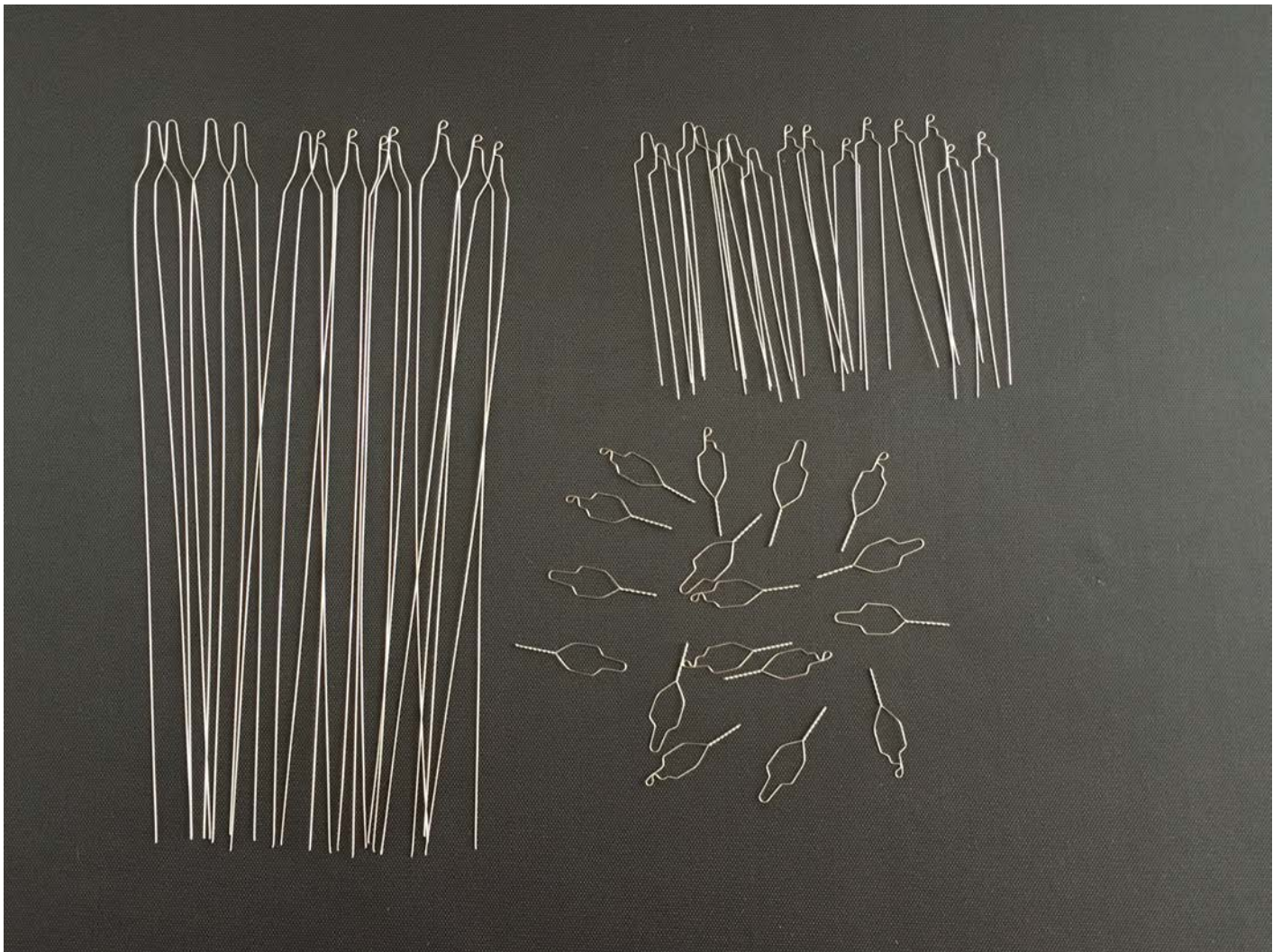


Preformed Ligature Wires	Dimension	Part Number	Packing
A: Long (15.5cm)	0.008" / 0.20mm	PLW-L08	1000 pcs / tube
	0.010" / 0.25mm	PLW-L10	1000 pcs / tube
	0.012" / 0.30mm	PLW-L12	1000 pcs / tube
	0.014" / 0.35mm	PLW-L14	1000 pcs / tube
Preformed Ligature Wires	Dimension	Part Number	Packing
B: Short (5.5cm)	0.008" / 0.20mm	PLW-S008	400 pcs / box
	0.010" / 0.25mm	PLW-S010	400 pcs / box
	0.012" / 0.30mm	PLW-S012	400 pcs / box
Preformed Ligature Wires	Dimension	Part Number	Packing
C: Short Twisted (2.5cm)	0.008" / 0.20mm	PLW-ST008	400 pcs / box
	0.010" / 0.25mm	PLW-ST010	400 pcs / box
	0.012" / 0.30mm	PLW-ST012	400 pcs / box

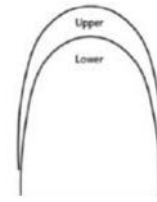
Kobayashi Ligature Wire



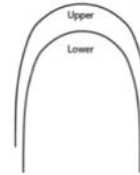
Kobayashi Ligature Wires	Dimension	Part Number	Packing
D: Long (15.5cm)	0.012" / 0.30mm	KLW-L012	200 pcs / tube
	0.014" / 0.35mm	KLW-L014	200 pcs / tube
Kobayashi Ligature Wires	Dimension	Part Number	Packing
E: Short (5.5cm)	0.012" / 0.30mm	KLW-S012	200 pcs / box
	0.014" / 0.35mm	KLW-S014	200 pcs / box
Kobayashi Ligature Wires	Dimension	Part Number	Packing
F: Short Twisted (2.5cm)	0.012" / 0.30mm	KLW-ST012	200 pcs / box
	0.014" / 0.35mm	KLW-ST014	200 pcs / box



# Stainless Steel Archwires



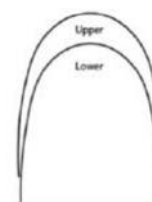
Oval



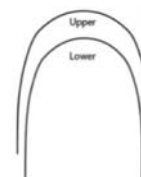
Natural

Round	Upper		Lower	
	Oval	Natural	Oval	Natrual
0.012"	AWSS-01-12U	AWSS-02-12U	AWSS-01-12L	AWSS-02-12L
0.014"	AWSS-01-14U	AWSS-02-14U	AWSS-01-14L	AWSS-02-14L
0.016"	AWSS-01-16U	AWSS-02-16U	AWSS-01-16L	AWSS-02-16L
0.018"	AWSS-01-18U	AWSS-02-18U	AWSS-01-18L	AWSS-02-18L
0.020"	AWSS-01-20U	AWSS-02-20U	AWSS-01-20L	AWSS-02-20L
Rectangular	Upper		Lower	
	Oval	Natural	Oval	Natrual
0.016 x 0.016"	AWSS-11-1616U	AWSS-12-1616U	AWSS-11-1616L	AWSS-12-1616L
0.016 x 0.022"	AWSS-11-1622U	AWSS-12-1622U	AWSS-11-1622L	AWSS-12-1622L
0.017 x 0.022"	AWSS-11-1722U	AWSS-12-1722U	AWSS-11-1722L	AWSS-12-1722L
0.017 x 0.025"	AWSS-11-1725U	AWSS-12-1725U	AWSS-11-1725L	AWSS-12-1725L
0.018 x 0.022"	AWSS-11-1822U	AWSS-12-1822U	AWSS-11-1822L	AWSS-12-1822L
0.018 x 0.025"	AWSS-11-1825U	AWSS-12-1825U	AWSS-11-1825L	AWSS-12-1825L
0.019 x 0.022"	AWSS-11-1922U	AWSS-12-1922U	AWSS-11-1922L	AWSS-12-1922L
0.019 x 0.025"	AWSS-11-1925U	AWSS-12-1925U	AWSS-11-1925L	AWSS-12-1925L

# Super Elastic NiTi Archwires



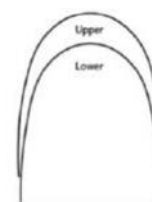
Oval



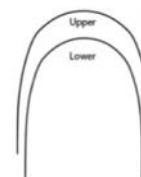
Natural

Round	Upper		Lower	
	Oval	Natural	Oval	Natrual
0.012"	AWSE-01-12U	AWSE-02-12U	AWSE-01-12L	AWSE-02-12L
0.014"	AWSE-01-14U	AWSE-02-14U	AWSE-01-14L	AWSE-02-14L
0.016"	AWSE-01-16U	AWSE-02-16U	AWSE-01-16L	AWSE-02-16L
0.018"	AWSE-01-18U	AWSE-02-18U	AWSE-01-18L	AWSE-02-18L
0.020"	AWSE-01-20U	AWSE-02-20U	AWSE-01-20L	AWSE-02-20L
Rectangular	Upper		Lower	
	Oval	Natural	Oval	Natrual
0.016 x 0.016"	AWSE-11-1616U	AWSE-12-1616U	AWSE-11-1616L	AWSE-12-1616L
0.016 x 0.022"	AWSE-11-1622U	AWSE-12-1622U	AWSE-11-1622L	AWSE-12-1622L
0.017 x 0.022"	AWSE-11-1722U	AWSE-12-1722U	AWSE-11-1722L	AWSE-12-1722L
0.017 x 0.025"	AWSE-11-1725U	AWSE-12-1725U	AWSE-11-1725L	AWSE-12-1725L
0.018 x 0.022"	AWSE-11-1822U	AWSE-12-1822U	AWSE-11-1822L	AWSE-12-1822L
0.018 x 0.025"	AWSE-11-1825U	AWSE-12-1825U	AWSE-11-1825L	AWSE-12-1825L
0.019 x 0.022"	AWSE-11-1922U	AWSE-12-1922U	AWSE-11-1922L	AWSE-12-1922L
0.019 x 0.025"	AWSE-11-1925U	AWSE-12-1925U	AWSE-11-1925L	AWSE-12-1925L
0.020 x 0.020"	AWSE-11-2020U	AWSE-12-2020U	AWSE-11-2020L	AWSE-12-2020L

# Thermally Activated NiTi Archwires



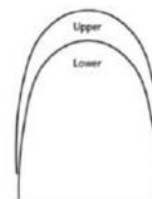
Oval



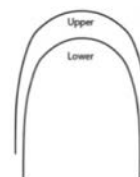
Natural

Round	Upper		Lower	
	Oval	Natural	Oval	Natural
0.012"	AWTA-01-12U	AWTA-02-12U	AWTA-01-12L	AWTA-02-12L
0.014"	AWTA-01-14U	AWTA-02-14U	AWTA-01-14L	AWTA-02-14L
0.016"	AWTA-01-16U	AWTA-02-16U	AWTA-01-16L	AWTA-02-16L
0.018"	AWTA-01-18U	AWTA-02-18U	AWTA-01-18L	AWTA-02-18L
0.020"	AWTA-01-20U	AWTA-02-20U	AWTA-01-20L	AWTA-02-20L
Rectangular	Upper		Lower	
	Oval	Natural	Oval	Natural
0.016 x 0.016"	AWTA-11-1616U	AWTA-12-1616U	AWTA-11-1616L	AWTA-12-1616L
0.016 x 0.022"	AWTA-11-1622U	AWTA-12-1622U	AWTA-11-1622L	AWTA-12-1622L
0.017 x 0.022"	AWTA-11-1722U	AWTA-12-1722U	AWTA-11-1722L	AWTA-12-1722L
0.017 x 0.025"	AWTA-11-1725U	AWTA-12-1725U	AWTA-11-1725L	AWTA-12-1725L
0.018 x 0.022"	AWTA-11-1822U	AWTA-12-1822U	AWTA-11-1822L	AWTA-12-1822L
0.018 x 0.025"	AWTA-11-1825U	AWTA-12-1825U	AWTA-11-1825L	AWTA-12-1825L
0.019 x 0.022"	AWTA-11-1922U	AWTA-12-1922U	AWTA-11-1922L	AWTA-12-1922L
0.019 x 0.025"	AWTA-11-1925U	AWTA-12-1925U	AWTA-11-1925L	AWTA-12-1925L
0.020 x 0.020"	AWTA-11-2020U	AWTA-12-2020U	AWTA-11-2020L	AWTA-12-2020L
0.021 x 0.025"	AWTA-11-2125U	AWTA-12-2125U	AWTA-11-2125L	AWTA-12-2125L

# Copper NiTi Archwires



Oval



Natural

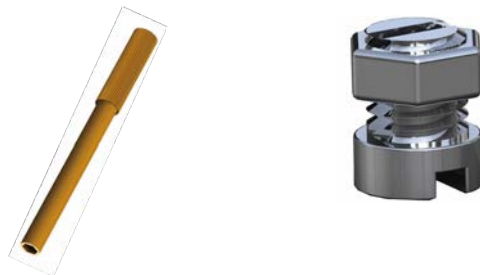
Round	Upper		Lower	
	Oval	Natural	Oval	Natural
0.012"	AWCN-01-12U	AWCN-02-12U	AWCN-01-12L	AWCN-02-12L
0.014"	AWCN-01-14U	AWCN-02-14U	AWCN-01-14L	AWCN-02-14L
0.016"	AWCN-01-16U	AWCN-02-16U	AWCN-01-16L	AWCN-02-16L
0.018"	AWCN-01-18U	AWCN-02-18U	AWCN-01-18L	AWCN-02-18L
0.020"	AWCN-01-20U	AWCN-02-20U	AWCN-01-20L	AWCN-02-20L
Rectangular	Upper		Lower	
	Oval	Natural	Oval	Natural
0.016 x 0.016"	AWCN-11-1616U	AWCN-12-1616U	AWCN-11-1616L	AWCN-12-1616L
0.016 x 0.022"	AWCN-11-1622U	AWCN-12-1622U	AWCN-11-1622L	AWCN-12-1622L
0.017 x 0.022"	AWCN-11-1722U	AWCN-12-1722U	AWCN-11-1722L	AWCN-12-1722L
0.017 x 0.025"	AWCN-11-1725U	AWCN-12-1725U	AWCN-11-1725L	AWCN-12-1725L
0.018 x 0.022"	AWCN-11-1822U	AWCN-12-1822U	AWCN-11-1822L	AWCN-12-1822L
0.018 x 0.025"	AWCN-11-1825U	AWCN-12-1825U	AWCN-11-1825L	AWCN-12-1825L
0.019 x 0.022"	AWCN-11-1922U	AWCN-12-1922U	AWCN-11-1922L	AWCN-12-1922L
0.019 x 0.025"	AWCN-11-1925U	AWCN-12-1925U	AWCN-11-1925L	AWCN-12-1925L
0.020 x 0.020"	AWCN-11-2020U	AWCN-12-2020U	AWCN-11-2020L	AWCN-12-2020L
0.021 x 0.025"	AWCN-11-2125U	AWCN-12-2125U	AWCN-11-2125L	AWCN-12-2125L

### Activity Crimpable Hook



Product Description	Size / Style	Item Number	Packing
Activity Crimpable Hook	Left	ACK-L	10 pcs / pack
	Right	ACK-R	10 pcs / pack

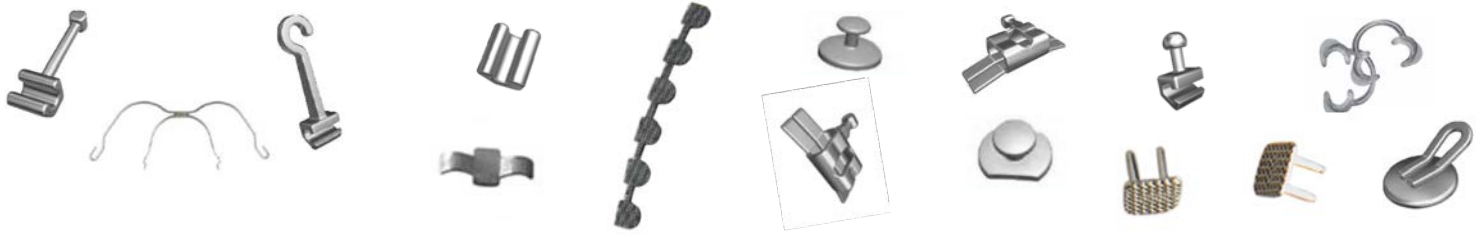
### Activity Archwire Stop



Product Description	Item Number	Packing
Activity Archwire Stop	AAS	10 pcs / pack



## Accessories 58



Product Description	Size / Style	Item Number	Packing
Crimpable Hooks	Round	CHS-11	10 pcs / pack
	Rectangular	CHS-12	10 pcs / pack
Crimpable Hooks Long	Round	CHSL-11	10 pcs / pack
	Rectangular	CHSL-12	10 pcs / pack
Crimpable Stop	Round	CSS-11	10 pcs / pack
	Rectangular	CSS-12	10 pcs / pack
Power Hook	Left	LCCHS-L	10 pcs / pack
	Right	LCCHS-R	10 pcs / pack
Lingual Buttons	Bondable Round base / Oval base	LBS-BR / LBS-BO	10 pcs / pack
	Weldable	LBS-W	10 pcs / pack
Lingual Cleats	Bondable	LCT-B	10 pcs / pack
	Weldable	LCT-W	10 pcs / pack
Lingual Sheath	no hook no slot	LSH-A	10 pcs / pack
	no hook with slot	LSH-B	10 pcs / pack
	mesial with hook no slot	LSH-C	10 pcs / pack
	distal with hook no slot	LSH-D	10 pcs / pack
	mesial with hook with slot	LSH-E	10 pcs / pack
	distal with hook with slot	LSH-F	10 pcs / pack
Lingual Retainers	38 - Upper	LRS-U38	10 pcs / pack
	40 - Upper	LRS-U40	
	42 - Upper	LRS-U42	
	45 - Upper	LRS-U45	
	47 - Upper	LRS-U47	10 pcs / pack
	29 - Lower	LRS-L29	
	31 - Lower	LRS-L31	
	33 - Lower	LRS-L33	
35 - Lower	LRS-L35		
37 - Lower	LRS-L37		
Standard Face Bow	/	FB01	10 pcs / pack
Loop Style Face Bow	83mm	FB02-1	10 pcs / pack
	90mm	FB02-2	10 pcs / pack
	97mm	FB02-3	10 pcs / pack
	104mm	FB02-4	10 pcs / pack
	111mm	FB02-5	10 pcs / pack
Cheek Retractor	Medium (Children)	CR01-M	10 pcs / pack
	Large (Adult)	CR01-L	10 pcs / pack
Button Chain	Stainless steel color	BC-1	10 pcs / pack
Golden Button Chain	Gold color	BC-1G	10 pcs / pack
Caplin Hook	Round Base	LR-1	10 pcs / pack
Tongue Tamers	/	TT-1	10 pcs / pack
Hole Lingual Button	/	LBS-H	10 pcs / pack

## Ligature ties

## Color Code



EL265-XX

1	2	3	4	5	6	7	8	9	10
clear	grey	white	red	orange	yellow	orange	grey	black	green
11	12	13	14	15	16	17	18	19	20
yellow	purple	blue	green	teal	purple	teal	red	pink	pink
21	22	23	24	25	26	27	28	29	30
orange	pink	blue	light blue	blue	dark blue	yellow	purple	dark purple	red
31	32	33	34	35	36	37			
pink	purple	dark purple	green	dark green	light blue	yellow			

## Cartoon Ligature ties

## Color Code



Mickey	EL266-1-XX
Flower	EL266-2-XX
Kitty Cat	EL266-3-XX

1	2	4	5	6	9	10	11	13	14
clear	grey	red	orange	yellow	black	green	yellow	blue	green
15	17	18	19	20	21	24	25	28	29
teal	teal	red	pink	pink	orange	light blue	blue	purple	dark purple
31	32	34	35						
pink	purple	green	dark green						

## Power Chain

## Color Code



Continuous	2.8mm	EL276-1-XX
Short	3.2mm	EL276-2-XX
Middle	3.6mm	EL276-3-XX
Long	4.0mm	EL276-4-XX

1	2	3	4	5	6	7	8	9	10
clear	grey	white	red	orange	yellow	orange	grey	black	green
11	12	13	14	15	16	17	18	19	20
yellow	purple	blue	green	teal	purple	teal	red	pink	pink
21	22	23	24	25	26	27	28	29	30
orange	pink	blue	light blue	blue	dark blue	yellow	purple	dark purple	red
31	32	33	34	35	36	37			
pink	purple	dark purple	green	dark green	light blue	yellow			

## Separators

## Color Code



EL277-1 Blue

EL277-2 Clear

## O Rings

## Color Code



	2.5 OZ	3.5 OZ	4.5 OZ	6.5 OZ
1/8"	EL278-1A	EL278-1B	EL278-1C	EL278-1D
3/16"	EL278-2A	EL278-2B	EL278-2C	EL278-2D
1/4"	EL278-3A	EL278-3B	EL278-3C	EL278-3D
5/16"	EL278-4A	EL278-4B	EL278-4C	EL278-4D
3/8"	EL278-5A	EL278-5B	EL278-5C	EL278-5D