

## AO000462

### OPTICAL SENSORS • SWITCHING AMPLIFIERS



#### MECHANICAL FEATURES

Depth	142 mm
Device design	Field device
Height	55.1 mm
Housing design	Cuboid
Housing material	Aluminum
Length	120 mm
Mounting method	Floor fastening
Width	130 mm

#### ELECTRICAL FEATURES

Malfunction message output	-
No-load current	5000 mA
Number of channels	4
Number of pins	6
Power consumption	120 W
Rated supply voltage at DC	12 V ... 24 V
Suitable for safety functions	-
Switching current	1 A
Switching voltage	30 V
Type of electrical connection	Clamps
Type of electrical output	D-Sub-13W3 connector
Type of voltage supply	Active
Voltage type	DC
With communication interface, Ethernet	+
With communication interface, RS-232	+
With LED display	+

#### OTHER FEATURES

Operating temperature	-5 °C ... 50 °C
-----------------------	-----------------

#### Other

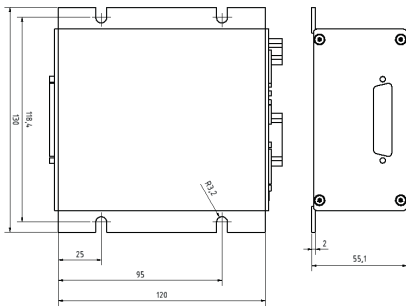
Packaging dimensions	140mm x 80mm x 160mm
Shipping weight	0.79kg
Tariff code	90319000

## Classification

ipf product group	915
eClass 8.0	27210121
eClass 9.0	27210121
eClass 9.1	27210121
ETIM-5.0	EC001485
ETIM-6.0	EC001485
ETIM-7.0	EC001485

## Connection

### Dimensional drawing



### Installation



Mounting / installation may only be carried out by a qualified electrician!

### Disposal



### Software

Please download the software or driver required for operating your new device on our homepage: [www.ipf.de](http://www.ipf.de)

### Safety warnings

Before initial operation, please make sure to follow all safety instructions that may be provided in the product information. Never use these devices in applications where the safety of a person depends on their functionality. LED lighting systems can generate intensive UV radiation, which can damage your eyes in case of improper use. The manufacturer cannot be held responsible for damages that result from improper use or connection.