

## DT98C478

### PRESSURE SENSORS • CONNECTION G1/2" OUTER

pressure transmitter, Ø26mm 111long, 0-400bar, 8-32V DC, G1/2 inch A, 8-32V DC, -40-85°C, 4-20mA, Valve connector type A 2pin, IP65, Stainless steel 1.4404, Front-flush membrane, CIP compatible, Compatible with foodstuff



#### MECHANICAL FEATURES

|                             |                        |
|-----------------------------|------------------------|
| Ambient temperature         | -40 °C ... 85 °C       |
| Bursting pressure           | 1250 bar               |
| CIP compatible              | +                      |
| Degree of protection (IP)   | IP65                   |
| Explosion-proof             | -                      |
| For liquid media            | +                      |
| For pasty media             | +                      |
| Front-flush membrane        | +                      |
| Housing design              | Cylinder plain         |
| Housing material            | Stainless steel 1.4404 |
| Max. operating pressure     | 400000 hPa             |
| Max. operating pressure     | 400 bar                |
| Medium temperature          | -40 °C ... 125 °C      |
| Nominal pressure            | 400 bar                |
| Pressure transmitter        | +                      |
| Sensing element material    | Stainless steel 1.4435 |
| Sensor diameter             | 26.5 mm                |
| Sensor length               | 111 mm                 |
| Thread length               | 20.5 mm                |
| Thread pitch                | 1.81 mm                |
| Type of pressure connection | G1/2 inch A            |
| With hand operation         | -                      |

#### ELECTRICAL FEATURES

|                                  |                   |
|----------------------------------|-------------------|
| Measurement method               | Relative          |
| Measuring range pressure         | 0 bar ... 400 bar |
| Number of pins                   | 2                 |
| Operating voltage                | 8 V ... 32 V      |
| Rated operating voltage Ue at DC | 8 V ... 32 V      |
| Relative measurement accuracy    | 0.5 %             |
| Response time                    | 10 ms             |
| Reverse polarity protection      | +                 |
| Short-circuit protection         | +                 |

## ELECTRICAL FEATURES

|                               |                        |
|-------------------------------|------------------------|
| Suitable as 2-point control   | -                      |
| Suitable as limiter           | -                      |
| Suitable as monitor           | -                      |
| Temperature drift             | 0.75 %                 |
| Type of analog output         | 4 mA ... 20 mA         |
| Type of electrical connection | Valve connector type A |
| Voltage type                  | DC                     |

## OTHER FEATURES

|                            |          |
|----------------------------|----------|
| Compatible with foodstuff  | +        |
| For hydraulic applications | +        |
| Measuring display          | Relative |

## Other

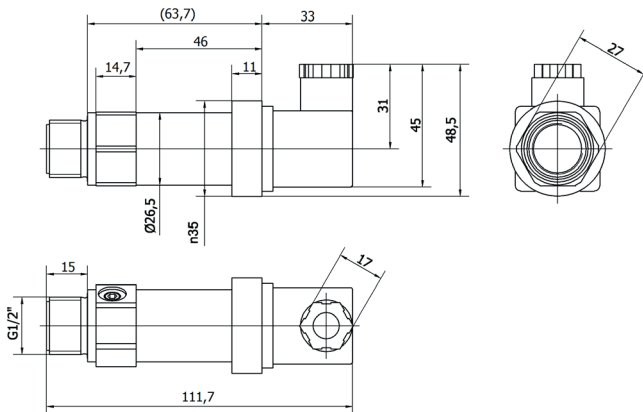
|                      |                          |
|----------------------|--------------------------|
| Packaging dimensions | 138.0mm x 95.0mm x 210mm |
| Shipping weight      | 0.32kg                   |
| Tariff code          | 90262020                 |

## Classification

|                   |          |
|-------------------|----------|
| ipf product group | 700      |
| eClass 8.0        | 27371814 |
| eClass 9.0        | 27371814 |
| eClass 9.1        | 27371814 |
| ETIM-5.0          | EC000243 |
| ETIM-6.0          | EC000243 |
| ETIM-7.0          | EC000243 |

## Connection

### Dimensional drawing



### Installation



Mounting / installation may only be carried out by a qualified electrician!

### Disposal



### Software

Any software, drivers or IODD files that may be required to operate your device can be downloaded free of charge from our homepage: [www.ipf-electronic.com](http://www.ipf-electronic.com)

### Safety warnings

Before initial operation, please make sure to follow all safety instructions that may be provided in the product information.  
Never use these devices in applications where the safety of a person depends on their functionality.  
LED lighting systems can generate intensive UV radiation, which can damage your eyes in case of improper use. The manufacturer cannot be held responsible for damages that result from improper use or connection.