

## DW16460K

### PRESSURE SENSORS • CONNECTION G1/8" INNER

pressure sensor, Ø16mm 79long, -1-10bar, 10-30V DC, G1/8 inch A / M5 inside, 10-30V DC, 2x PNP NC/NO, IO-Link, Plug-in connection M8 4pin, IP65, Plastic ABS, With display



#### MECHANICAL FEATURES

Ambient temperature	-10 °C ... 60 °C
Degree of protection (IP)	IP65
Explosion-proof	-
For gaseous media	+
Housing design	Cylinder plain
Housing material	Plastic ABS
Max. operating pressure	16000 hPa
Max. operating pressure	16 bar
Nominal pressure	10 bar
Sensing element material	Nickel-plated brass
Sensor diameter	16 mm
Sensor length	79 mm
Thread length	7 mm
Thread pitch	0.91 mm
Type of pressure connection	G1/8 inch A / M5 inside
With hand operation	-

#### ELECTRICAL FEATURES

Adjustable hysteresis	+
Adjustable unit	+
End setting	-1000 hPa ... 10000 hPa
IO-Link compatible	+
Measurement method	Relative
Measuring range pressure	-1 bar ... 10 bar
No-load current	15 mA
Number of pins	4
Number of switching outputs	2
Operating voltage	10 V ... 30 V
Peak value memory	+
Rated operating voltage Ue at DC	10 V ... 30 V
Rated switching current	250 mA
Readiness delay	5000 ms
Relative linearity deviation	0.5 %

## ELECTRICAL FEATURES

Relative repeat accuracy	0.2 %
Residual ripple	10 %
Response time	2.5 ms
Reverse polarity protection	+
Setting procedure	Parameterization
Short-circuit protection	+
Suitable as 2-point control	+
Suitable as limiter	+
Suitable as monitor	+
Switching frequency	200 Hz
Switching output with window function	+
Temperature drift	3 %
Turn-off delay	99.9 s
Turn-on delay	99.9 s
Type of electrical connection	Plug-in connection M8
Type of switching function	Normally closed contact/normally open contact
Type of switching output	PNP
Voltage drop	2 V
Voltage type	DC
With display	+
With LED display	+

## OTHER FEATURES

For pneumatic applications	+
Measuring display	Relative

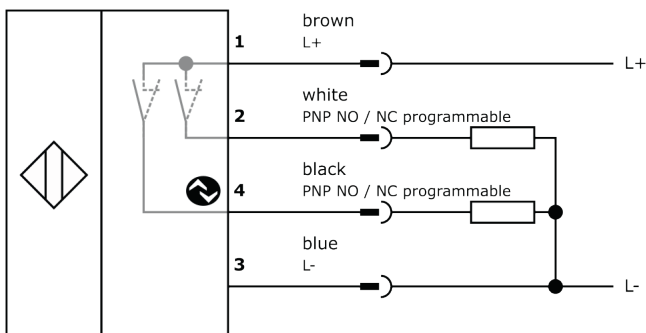
## Other

Packaging dimensions	43.0mm x 43.0mm x 105.0mm
Shipping weight	0.05kg
Tariff code	90262020

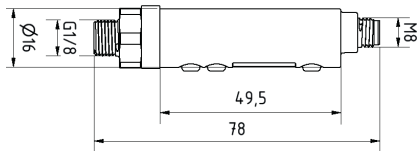
## Classification

ipf product group	360
eClass 8.0	27371814
eClass 9.0	27371814
eClass 9.1	27371814
ETIM-5.0	EC000243
ETIM-6.0	EC000243
ETIM-7.0	EC000243

## Connection



## Dimensional drawing



## Installation



Mounting / installation may only be carried out by a qualified electrician!

## Disposal



## Software

Any software, drivers or IOOD files that may be required to operate your device can be downloaded free of charge from our homepage: [www.ipf-electronic.com](http://www.ipf-electronic.com)

## Safety warnings

Before initial operation, please make sure to follow all safety instructions that may be provided in the product information.

Never use these devices in applications where the safety of a person depends on their functionality.

LED lighting systems can generate intensive UV radiation, which can damage your eyes in case of improper use. The manufacturer cannot be held responsible for damages that result from improper use or connection.