

## DW353126

### PRESSURE SENSORS • CONNECTION G1/4" OUTER

pressure sensor, Ø38mm 122long, 0-400bar, 12-32V DC, G1/4 inch A, 12-32V DC, 2x PNP NC/NO, 0-10V/4-20mA / 0 ... 20 mA, Plug-in connection M12 8pin, IP65, PA 6.6 (synthetic), With display



#### MECHANICAL FEATURES

|                             |                        |
|-----------------------------|------------------------|
| Ambient temperature         | -20 °C ... 80 °C       |
| Bursting pressure           | 2500 bar               |
| Degree of protection (IP)   | IP65                   |
| Explosion-proof             | -                      |
| For gaseous media           | +                      |
| For liquid media            | +                      |
| Housing design              | Cylinder plain         |
| Housing material            | PA 6.6 (synthetic)     |
| Max. operating pressure     | 600000 hPa             |
| Max. operating pressure     | 600 bar                |
| Medium temperature          | -20 °C ... 80 °C       |
| Nominal pressure            | 400 bar                |
| Sensing element material    | Stainless steel 1.4435 |
| Sensor diameter             | 38 mm                  |
| Sensor length               | 122 mm                 |
| Thread length               | 14 mm                  |
| Thread pitch                | 1.34 mm                |
| Type of pressure connection | G1/4 inch A            |
| With hand operation         | -                      |

#### ELECTRICAL FEATURES

|                             |                           |
|-----------------------------|---------------------------|
| Adjustable hysteresis       | +                         |
| Damping (analog output)     | 20 s ... 20 s             |
| Decay time                  | 5 ms                      |
| End setting                 | 320000 hPa ... 400000 hPa |
| Hysteresis                  | 1 %                       |
| Initial setting             | 0 hPa ... 80000 hPa       |
| Measurement method          | Absolute                  |
| Measuring range pressure    | 0 bar ... 400 bar         |
| No-load current             | 60 mA                     |
| Number of pins              | 8                         |
| Number of switching outputs | 2                         |
| Operating voltage           | 12 V ... 32 V             |

**ELECTRICAL FEATURES**

|                                       |   |
|---------------------------------------|---|
| Peak value memory                     | +   |
| Programmable via software             | +   |
| Rated operating voltage Ue at DC      | 12 V ... 32 V                                 |
| Rated switching current               | 1000 mA                                       |
| Readiness delay                       | 2000 ms                                       |
| Relative linearity deviation          | 0.25 %  |
| Relative repeat accuracy              | 0.1 %   |
| Response time                         | 5 ms  |
| Reverse polarity protection           | +   |
| Setting procedure                     | Parameterization                              |
| Short-circuit protection              | +   |
| Suitable as 2-point control           | +   |
| Suitable as limiter                   | +   |
| Suitable as monitor                   | +   |
| Switching frequency                   | 125 Hz  |
| Switching output with window function | +   |
| Temperature drift                     | 0.2 %   |
| Turn-off delay                        | 20 s  |
| Turn-on delay                         | 20 s  |
| Type of alarm output                  | PNP   |
| Type of analog output                 | 0 V ... 10 V / 4 mA ... 20 mA / 0 ... 20 mA   |
| Type of electrical connection         | Plug-in connection M12                        |
| Type of switching function            | Normally closed contact/normally open contact |
| Type of switching output              | PNP   |
| Voltage drop                          | 2 V   |
| Voltage type                          | DC  |
| With display                          | +   |
| With LED display                      | +   |

**OTHER FEATURES**

|                            |          |
|----------------------------|----------|
| For hydraulic applications | +        |
| For pneumatic applications | +        |
| Measuring display          | Relative |

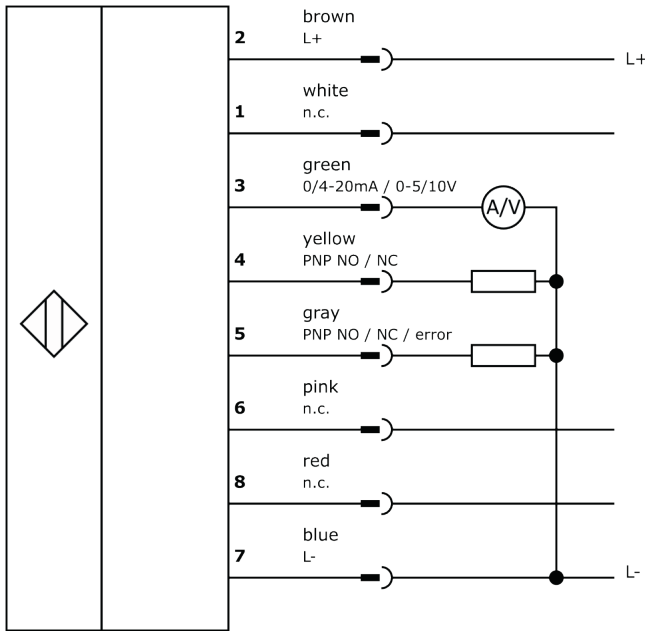
**Other**

|                      |                       |
|----------------------|-----------------------|
| Packaging dimensions | 99.0mm x 60mm x 160mm |
| Shipping weight      | 0.36kg                |
| Tariff code          | 90262020              |

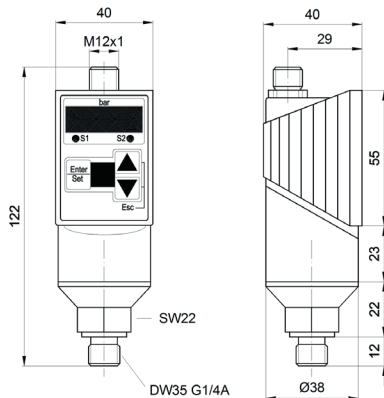
**Classification**

|                   |          |
|-------------------|----------|
| ipf product group | 360      |
| eClass 8.0        | 27371814 |
| eClass 9.0        | 27371814 |
| eClass 9.1        | 27371814 |
| ETIM-5.0          | EC000243 |
| ETIM-6.0          | EC000243 |
| ETIM-7.0          | EC000243 |

## Connection



## Dimensional drawing



## Installation



Mounting / installation may only be carried out by a qualified electrician!

## Disposal



## Software

Any software, drivers or IOOD files that may be required to operate your device can be downloaded free of charge from our homepage: [www.ipf-electronic.com](http://www.ipf-electronic.com)

## Safety warnings

Before initial operation, please make sure to follow all safety instructions that may be provided in the product information.

Never use these devices in applications where the safety of a person depends on their functionality.

LED lighting systems can generate intensive UV radiation, which can damage your eyes in case of improper use. The manufacturer cannot be held responsible for damages that result from improper use or connection.

