

DW363110

PRESSURE SENSORS • CONNECTION G1/8" INNER

pressure sensor, Ø38mm 108long, -1-0bar, 12-32V DC, G1/8 inch, 12-32V DC, 2x PNP NC/NO, 0-10V/4-20mA / 0 ... 20 mA, Plug-in connection M12 4pin, IP65, PA 6.6 (synthetic), With display



MECHANICAL FEATURES

| | |
|-----------------------------|--------------------|
| Ambient temperature | -20 °C ... 80 °C |
| Degree of protection (IP) | IP65 |
| Explosion-proof | - |
| For gaseous media | + |
| For liquid media | + |
| Housing design | Cylinder plain |
| Housing material | PA 6.6 (synthetic) |
| Medium temperature | -20 °C ... 80 °C |
| Nominal pressure | -1 bar |
| Sensing element material | Ceramics |
| Sensor diameter | 38 mm |
| Sensor length | 108 mm |
| Thread length | 12 mm |
| Thread pitch | 0.91 mm |
| Type of pressure connection | G1/8 inch |
| With hand operation | - |

ELECTRICAL FEATURES

| | |
|--|------------------------|
| Adjustable hysteresis | + |
| Damping (analog output) | 20 s ... 20 s |
| Decay time | 5 ms |
| End setting | -500 hPa ... 0 hPa |
| Hysteresis | 1 % |
| Initial setting | -1000 hPa ... -500 hPa |
| Measurement method | Relative |
| Measuring range pressure | -1 bar ... 0 bar |
| No-load current | 60 mA |
| Number of pins | 4 |
| Number of switching outputs | 2 |
| Operating voltage | 12 V ... 32 V |
| Peak value memory | + |
| Programmable via software | + |
| Rated operating voltage U _e at DC | 12 V ... 32 V |

ELECTRICAL FEATURES

| | |
|---------------------------------------|---|
| Rated switching current | 1000 mA |
| Readiness delay | 2000 ms |
| Relative linearity deviation | 0.25 % |
| Relative repeat accuracy | 0.1 % |
| Response time | 5 ms |
| Reverse polarity protection | + |
| Setting procedure | Parameterization |
| Short-circuit protection | + |
| Suitable as 2-point control | + |
| Suitable as limiter | + |
| Suitable as monitor | + |
| Switching frequency | 125 Hz |
| Switching output with window function | + |
| Temperature drift | 0.2 % |
| Turn-off delay | 20 s |
| Turn-on delay | 20 s |
| Type of alarm output | PNP |
| Type of analog output | 0 V ... 10 V / 4 mA ... 20 mA / 0 ... 20 mA |
| Type of electrical connection | Plug-in connection M12 |
| Type of switching function | Normally closed contact/normally open contact |
| Type of switching output | PNP |
| Voltage drop | 2 V |
| Voltage type | DC |
| With display | + |
| With LED display | + |

OTHER FEATURES

| | |
|----------------------------|----------|
| For hydraulic applications | + |
| For pneumatic applications | + |
| Measuring display | Relative |

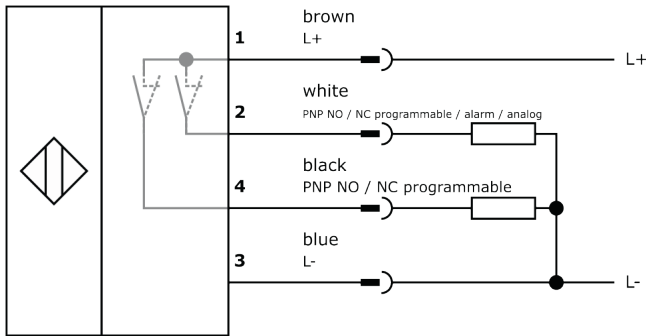
Other

| | |
|----------------------|-----------------------|
| Packaging dimensions | 99.0mm x 60mm x 160mm |
| Shipping weight | 0.37kg |
| Tariff code | 90262020 |

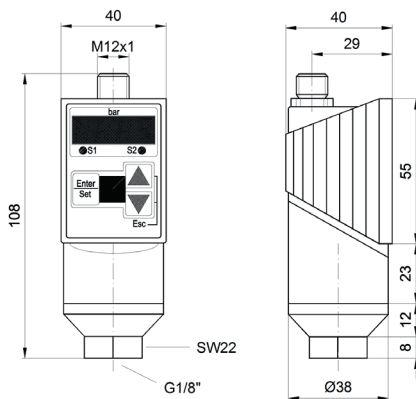
Classification

| | |
|-------------------|----------|
| ipf product group | 360 |
| eClass 8.0 | 27371814 |
| eClass 9.0 | 27371814 |
| eClass 9.1 | 27371814 |
| ETIM-5.0 | EC000243 |
| ETIM-6.0 | EC000243 |
| ETIM-7.0 | EC000243 |

Connection



Dimensional drawing



Installation



Mounting / installation may only be carried out by a qualified electrician!

Disposal



Software

Any software, drivers or IODD files that may be required to operate your device can be downloaded free of charge from our homepage: www.ipf-electronic.com

Safety warnings

Before initial operation, please make sure to follow all safety instructions that may be provided in the product information.

Never use these devices in applications where the safety of a person depends on their functionality.

LED lighting systems can generate intensive UV radiation, which can damage your eyes in case of improper use. The manufacturer cannot be held responsible for damages that result from improper use or connection.