

## FI520272

### FILLING LEVEL SENSORS • INDUCTIVE

sensor filling level, Inductive, 21x14x52mm, pendulum 100mm, 10-30V DC, PNP NC, Connector M8 3pin, housing Polyamid, joint Stainless steel, pendulum Stainless steel



#### MECHANICAL FEATURES

	EV000294
	EV000294
Ambient temperature (MAX)	50 °C
Degree of protection (IP)	IP67
Depth	14 mm
Height	21 mm
Housing design	Cuboid
Housing material	Polyamide
Pendulum length	100 mm
Sensing element material	Stainless steel
Sensor height	21 mm
Sensor length	14 mm
Sensor width	52 mm
Width	52 mm

#### ELECTRICAL FEATURES

No-load current	15 mA
Number of contacts as normally closed contact	1
Number of pins	3
Physical measurement principle	Inductive
Rated control supply voltage $U_s$ at DC	10 V ... 30 V
Rated switching current	200 mA
Reverse polarity protection	+
Short-circuit protection	+
Type of electrical connection	Connector M8
Type of switching function	Normally closed contact
Type of switching output	PNP
Voltage drop	2 V
Voltage type for actuation	DC
With LED display	+

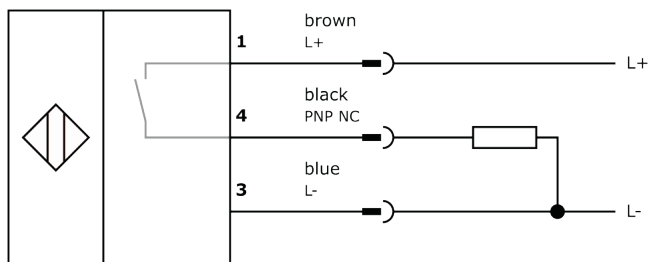
## Other

Packaging dimensions	124.0mm x 28.0mm x 149.0mm
Shipping weight	0.06kg
Tariff code	85365019

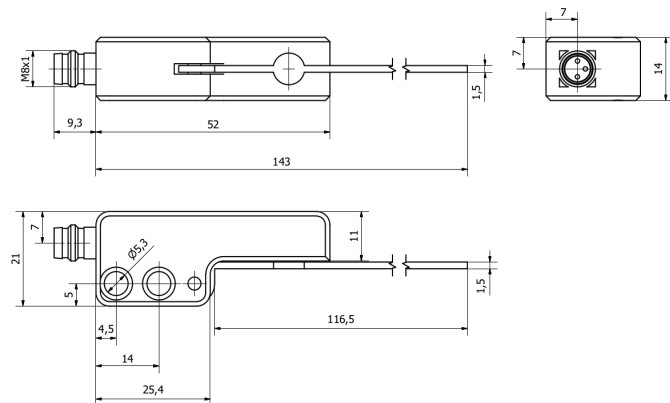
## Classification

ipf product group	351
eClass 8.0	27371813
eClass 9.0	27371813
eClass 9.1	27371813
ETIM-5.0	EC001447
ETIM-6.0	EC001447
ETIM-7.0	EC001447

## Connection



## Dimensional drawing



## Installation



Mounting / installation may only be carried out by a qualified electrician!

## Disposal



## Software

Any software, drivers or IODD files that may be required to operate your device can be downloaded free of charge from our homepage: [www.ipf-electronic.com](http://www.ipf-electronic.com)

## Safety warnings

Before initial operation, please make sure to follow all safety instructions that may be provided in the product information. Never use these devices in applications where the safety of a person depends on their functionality. LED lighting systems can generate intensive UV radiation, which can damage your eyes in case of improper use. The manufacturer cannot be held responsible for damages that result from improper use or connection.