

FK920400

FILLING LEVEL SENSORS • CAPACITIVE

sensor filling level, Capacitive, 1 inch 113long, G1 inch, 10-35V DC, PNP NC/NO, Cable 2m PVC, IP67, PTFE, probe Ø26mm 68long, Manual adjustment



MECHANICAL FEATURES

Ambient temperature	-25 °C ... 70 °C
Cable length	2 m
Degree of protection (IP)	IP67
Housing design	Special construction
Housing material	PTFE
Material of cable sheath	PVC
Medium temperature	-25 °C ... 75 °C
Number of cores	4
Probe diameter	26 mm
Probe length	68 mm
Sensing element material	PTFE
Sensor diameter	40 mm
Sensor length	113 mm
Thread length	25 mm
Thread size, inches	1 inch
Type of process connection	G1 inch
Wire cross section	0.5 mm ²

ELECTRICAL FEATURES

No-load current	15 mA
Number of contacts as normally closed contact	1
Number of contacts as normally open contact	1
Physical measurement principle	Capacitive
Rated control supply voltage U_s at DC	10 V ... 35 V
Rated switching current	250 mA
Response sensitivity, adjustable	+
Reverse polarity protection	+
Setting procedure	Manual adjustment
Short-circuit protection	+
Switching frequency	50 Hz
Type of electrical connection	Cable
Type of switching function	Normally closed contact/normally open contact
Type of switching output	PNP

ELECTRICAL FEATURES

Voltage drop	2 V
Voltage type for actuation	DC
With LED display	+

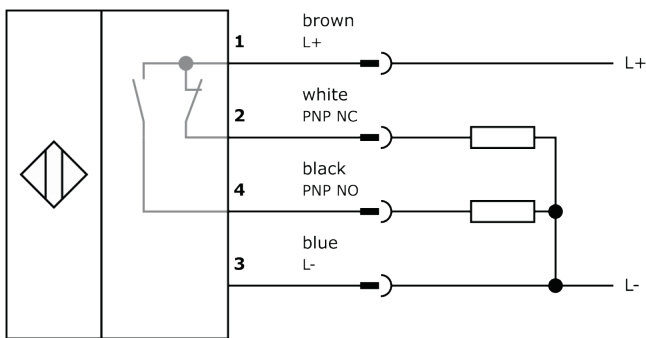
Other

Packaging dimensions	74.0mm x 74.0mm x 143.0mm
Shipping weight	0.3kg
Tariff code	85365019

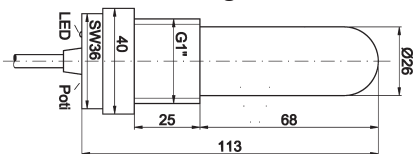
Classification

ipf product group	350
eClass 8.0	27371813
eClass 9.0	27371813
eClass 9.1	27371813
ETIM-5.0	EC001447
ETIM-6.0	EC001447
ETIM-7.0	EC001447

Connection



Dimensional drawing



Installation



Mounting / installation may only be carried out by a qualified electrician!

Disposal



Software

Any software, drivers or IODD files that may be required to operate your device can be downloaded free of charge from our homepage: www.ipf-electronic.com

Safety warnings

Before initial operation, please make sure to follow all safety instructions that may be provided in the product information.
Never use these devices in applications where the safety of a person depends on their functionality.
LED lighting systems can generate intensive UV radiation, which can damage your eyes in case of improper use. The manufacturer cannot be held responsible for damages that result from improper use or connection.