

## IB051174

### INDUCTIVE SENSORS • NORM SWITCHING DISTANCE

sensor inductive, M5x0.5 38long, Flush, Sn: 0.8, 10-30V DC, NPN NO,  
Connector M8 3pin, IP67, Stainless steel 1.4305



#### MECHANICAL FEATURES

	IV000197
Active area material of sensor	Polyoxymethylene (POM)
Ambient temperature	-25 °C ... 70 °C
Degree of protection (IP)	IP67
Housing design	Cylinder, screw-thread
Housing material	Stainless steel 1.4305
Max. tightening torque	1.5 Nm
Mechanical mounting condition for sensor	Flush
Pressure-proof	-
Sensor length	38 mm
Thread length	23 mm
Thread pitch	0.5 mm
Thread size, metric	5

#### ELECTRICAL FEATURES

Cascadable	-
Correction factor (aluminum)	0.3
Correction factor (brass)	0.4
Correction factor (copper)	0.2
Correction factor (St37)	1
Correction factor (stainl. steel)	0.7
Hysteresis	15 %
No-load current	5.5 mA
Norm measuring plate	5x5x1
Number of pins	3
Rated switching current	200 mA
Relative repeat accuracy	10 %
Reverse polarity protection	+
Short-circuit protection	+
Suitable for safety functions	-
Supply voltage	10 V ... 30 V
Switching distance	0.8 mm
Switching frequency	2000 Hz

## ELECTRICAL FEATURES

Type of electrical connection	Connector M8
Type of switching function	Normally open contact
Type of switching output	NPN
Voltage drop	1.5 V
Voltage type	DC
With LED display	+
With monitoring function of downstream devices	-

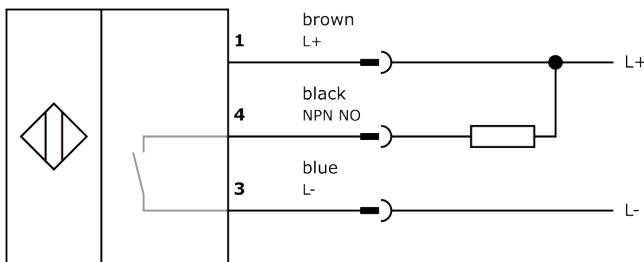
## Other

Packaging dimensions	100mm x 17.0mm x 120mm
Shipping weight	0.01kg
Tariff code	85365019

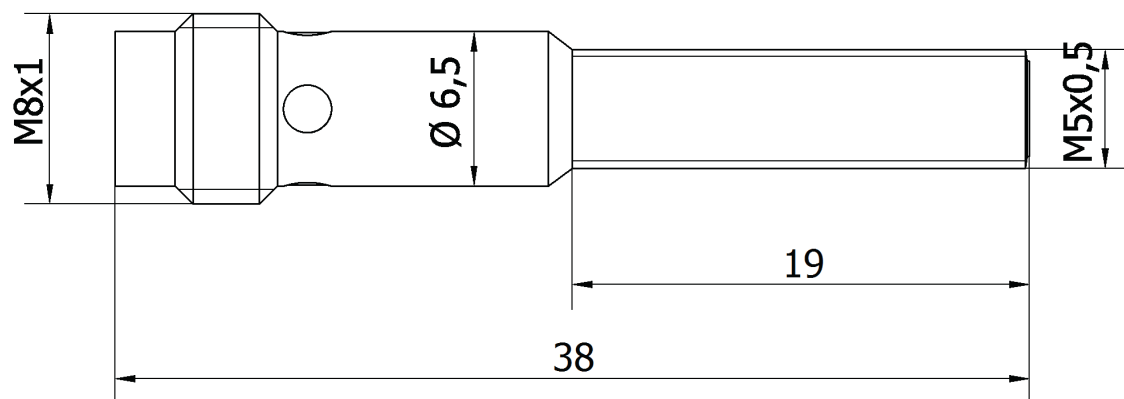
## Classification

ipf product group	203
eClass 8.0	27270101
eClass 9.0	27270101
eClass 9.1	27270101
ETIM-5.0	EC002714
ETIM-6.0	EC002714
ETIM-7.0	EC002714

## Connection



## Dimensional drawing



## Installation



Mounting / installation may only be carried out by a qualified electrician!

## Disposal



## Software

Any software, drivers or IOOD files that may be required to operate your device can be downloaded free of charge from our

homepage: [www.ipf-electronic.com](http://www.ipf-electronic.com)

### Safety warnings

Before initial operation, please make sure to follow all safety instructions that may be provided in the product information.

Never use these devices in applications where the safety of a person depends on their functionality.

LED lighting systems can generate intensive UV radiation, which can damage your eyes in case of improper use. The manufacturer cannot be held responsible for damages that result from improper use or connection.