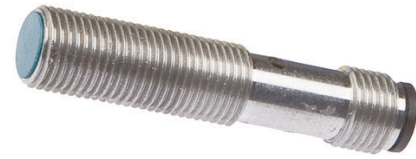


IB051264

INDUCTIVE SENSORS • NORM SWITCHING DISTANCE

sensor inductive, M5x0.5 24long, Flush, Sn: 1, 10-30V DC, NPN NC, M5-connector, IP67, Stainless steel 1.4305



MECHANICAL FEATURES

	IV000197
Active area material of sensor	LCP
Ambient temperature	-25 °C ... 75 °C
Degree of protection (IP)	IP67
Housing design	Cylinder, screw-thread
Housing material	Stainless steel 1.4305
Max. tightening torque	1.5 Nm
Mechanical mounting condition for sensor	Flush
Pressure-proof	-
Sensor length	24 mm
Thread pitch	0.5 mm
Thread size, metric	5

ELECTRICAL FEATURES

Cascadable	-
No-load current	12 mA
Norm measuring plate	5x5x1
Rated switching current	100 mA
Suitable for safety functions	-
Supply voltage	10 V ... 30 V
Switching distance	1 mm
Switching frequency	2000 Hz
Type of electrical connection	M5-connector
Type of switching function	Normally closed contact
Type of switching output	NPN
Voltage type	DC
With monitoring function of downstream devices	-

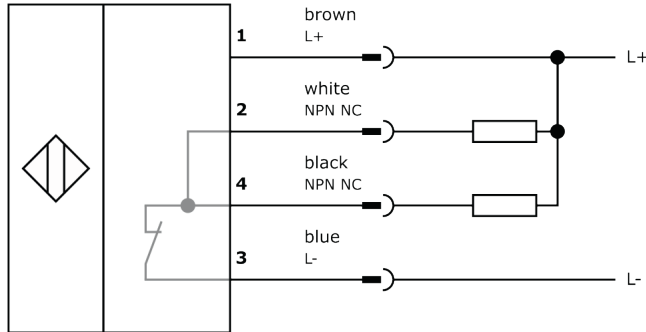
Other

Packaging dimensions	100mm x 0.0mm x 120mm
Shipping weight	0kg
Tariff code	85365019

Classification

ipf product group	203
eClass 8.0	27270101
eClass 9.0	27270101
eClass 9.1	27270101
ETIM-5.0	EC002714
ETIM-6.0	EC002714
ETIM-7.0	EC002714

Connection



Dimensional drawing

Installation



Mounting / installation may only be carried out by a qualified electrician!

Disposal



Software

Any software, drivers or IODD files that may be required to operate your device can be downloaded free of charge from our homepage: www.ipf-electronic.com

Safety warnings

Before initial operation, please make sure to follow all safety instructions that may be provided in the product information.

Never use these devices in applications where the safety of a person depends on their functionality.

LED lighting systems can generate intensive UV radiation, which can damage your eyes in case of improper use. The manufacturer cannot be held responsible for damages that result from improper use or connection.