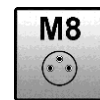
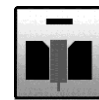
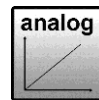
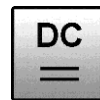


dimensions **M8 x 1**  
 switching distance semi-flush **0 ... 2mm**



- ✓ stainless steel housing
- ✓ semi-flush
- ✓ integrated amplifier
- ✓ short-circuit and reverse polarity protected
- ✓ M8-connection

**analog output 0-10V**  
**resolution of 5µm**



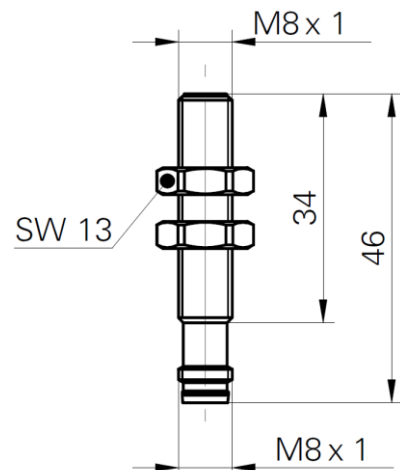
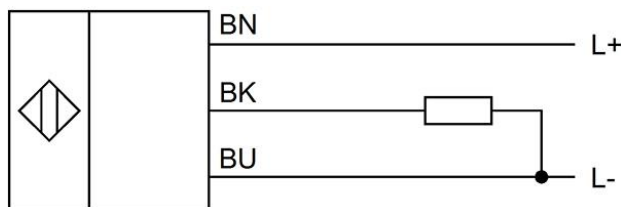
**Technical Data**

**IB080070**

operating range	0 ... 2mm
mounting	semi-flush
operating voltage	15 ... 30V DC
current consumption (w/o load)	≤ 25mA
short-circuit protection	+
reverse polarity protection	+
output signal	0 ... 10V DC
burden	> 1kΩ
resolution	5µm
repeat accuracy	< 20µm
linearity deviation	± 100µm
temperature drift	± 5%
response time	< 0.5ms
temperature (operating)	+10 ... +60°C
material (housing)	chromium-nickel steel
length (thread / total)	34mm / 46mm
protection class (EN 60529)	IP67
connection	M8-connector, 3-pin

**connection**

**dimensional drawing**



article-no. **IB080070**

**Warning:** Never use these articles in applications where the safety of a person depends on their functionality.