

IB080124

INDUCTIVE SENSORS • NORM SWITCHING DISTANCE

sensor inductive, M8x1 45long, Flush, Sn: 1.5, 10-30V DC, PNP NO, IO-Link, Connector M12, IP67, Stainless steel 1.4404



MECHANICAL FEATURES

	IV000197
Active area material of sensor	PA 6.6 (synthetic)
Ambient temperature	-25 °C ... 70 °C
Degree of protection (IP)	IP67
Housing design	Cylinder, screw-thread
Housing material	Stainless steel 1.4404
Mechanical mounting condition for sensor	Flush
Pressure-proof	-
Sensor length	45 mm
Thread pitch	1 mm
Thread size, metric	8

ELECTRICAL FEATURES

Cascadable	-
Correction factor (aluminum)	0.2
Correction factor (brass)	0.35
Correction factor (copper)	0.7
Correction factor (St37)	1
Correction factor (stainl. steel)	0.2
Hysteresis	5 %
IO-Link compatible	+
No-load current	10 mA
Norm measuring plate	8x8x1
Rated switching current	200 mA
Relative repeat accuracy	4.67 %
Reverse polarity protection	+
Short-circuit protection	+
Suitable for safety functions	-
Supply voltage	10 V ... 30 V
Switching distance	1.5 mm
Switching frequency	5000 Hz
Type of electrical connection	Connector M12
Type of switching function	Normally open contact

ELECTRICAL FEATURES

Type of switching output	PNP
Voltage drop	2 V
Voltage type	DC
With monitoring function of downstream devices	-

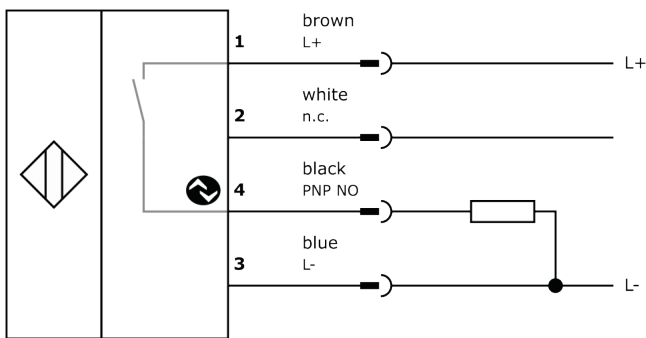
Other

Packaging dimensions	100mm x 15.0mm x 125.0mm
Shipping weight	0.02kg
Tariff code	85365019

Classification

ipf product group	200
eClass 8.0	27270101
eClass 9.0	27270101
eClass 9.1	27270101
ETIM-5.0	EC002714
ETIM-6.0	EC002714
ETIM-7.0	EC002714

Connection



Dimensional drawing

Installation



Mounting / installation may only be carried out by a qualified electrician!

Disposal



Software

Any software, drivers or IODD files that may be required to operate your device can be downloaded free of charge from our homepage: www.ipf-electronic.com

Safety warnings

Before initial operation, please make sure to follow all safety instructions that may be provided in the product information. Never use these devices in applications where the safety of a person depends on their functionality. LED lighting systems can generate intensive UV radiation, which can damage your eyes in case of improper use. The manufacturer cannot be held responsible for damages that result from improper use or connection.