

## IB08C150

### INDUCTIVE SENSORS • INCREASED SWITCHING DISTANCE

sensor inductive, M8x1 30long, Flush, Sn: 2, 10-30V DC, PNP NC, Cable connector M12 2m PVC, IP67, Stainless steel 1.4305



#### MECHANICAL FEATURES

Active area material of sensor	PBT
Alignment of cable entry	Axial
Ambient temperature	-25 °C ... 70 °C
Cable length	2 m
Degree of protection (IP)	IP67
Design	Cylinder, screw-thread
Housing material	Stainless steel 1.4305
Material of cable sheath	PVC
Mechanical mounting condition for sensor	Flush
Pressure-proof	-
Sensor length	30 mm
Thread pitch	1 mm
Thread size, metric	8

#### ELECTRICAL FEATURES

Cascadable	-
Rated switching current	200 mA
Suitable for safety functions	-
Supply voltage	10 V ... 30 V
Switching distance	2 mm
Type of electrical connection	Cable connector M12
Type of switching function	Normally closed contact
Type of switching output	PNP
Voltage type	DC
With monitoring function of downstream devices	-

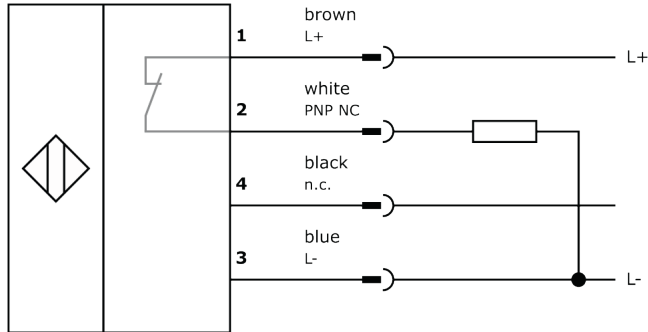
#### Other

Packaging dimensions	124.0mm x 28.0mm x 149.0mm
Shipping weight	0.1kg
Tariff code	85365019

## Classification

ipf product group	700
eClass 8.0	27270101
eClass 9.0	27270101
eClass 9.1	27270101
ETIM-5.0	EC002714
ETIM-6.0	EC002714
ETIM-7.0	EC002714

## Connection



## Dimensional drawing

## Installation



Mounting / installation may only be carried out by a qualified electrician!

## Disposal



## Software

Any software, drivers or IOOD files that may be required to operate your device can be downloaded free of charge from our homepage: [www.ipf-electronic.com](http://www.ipf-electronic.com)

## Safety warnings

Before initial operation, please make sure to follow all safety instructions that may be provided in the product information.

Never use these devices in applications where the safety of a person depends on their functionality.

LED lighting systems can generate intensive UV radiation, which can damage your eyes in case of improper use. The manufacturer cannot be held responsible for damages that result from improper use or connection.