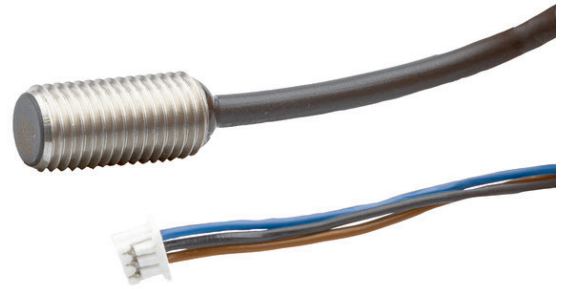


IB08E248

INDUCTIVE SENSORS • NORM SWITCHING DISTANCE

sensor inductive, M8x1 23long, Flush, Sn: 1.5, 10-30V DC, PNP NO, Molex connector 510210300 0.6m PUR (Polyurethane), IP67, Stainless steel 1.4305



MECHANICAL FEATURES

Active area material of sensor	PBT
Alignment of cable entry	Axial
Ambient temperature	-25 °C ... 70 °C
Cable length	0.6 m
Degree of protection (IP)	IP67
Design	Cylinder, screw-thread
Housing material	Stainless steel 1.4305
Material of cable sheath	PUR (Polyurethane)
Max. tightening torque	1.6 Nm
Mechanical mounting condition for sensor	Flush
Number of cores	3
Pressure-proof	-
Sensor length	23 mm
Thread length	23 mm
Thread pitch	1 mm
Thread size, metric	8
Wire cross section	0.14 mm ²

ELECTRICAL FEATURES

Cascadable	-
Correction factor (aluminum)	0.3
Correction factor (brass)	0.4
Correction factor (copper)	0.2
Correction factor (St37)	1
Correction factor (stainl. steel)	0.7
Decay time	0.5 ms
Hysteresis	15 %
No-load current	15 mA
Norm measuring plate	8x8x1
Operating voltage	10 V ... 30 V
Rated switching current	200 mA
Relative repeat accuracy	5 %
Response time	0.5 ms

ELECTRICAL FEATURES

Reverse polarity protection	+
Short-circuit protection	+
Suitable for safety functions	-
Supply voltage	10 V ... 30 V
Switching distance	1.5 mm
Switching frequency	2000 Hz
Type of electrical connection	Molex connector 510210300
Type of switching function	Normally open contact
Type of switching output	PNP
Voltage drop	2.4 V
Voltage type	DC
With LED display	+
With monitoring function of downstream devices	-

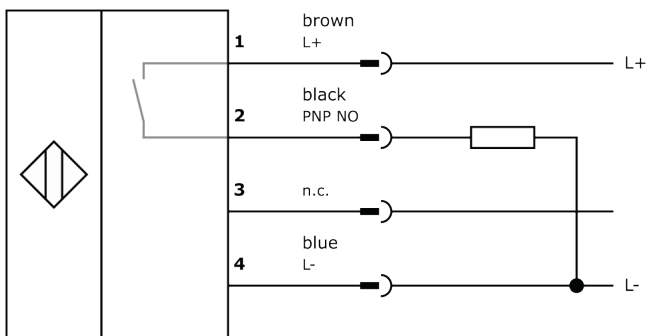
Other

Packaging dimensions	100mm x 17.0mm x 120mm
Shipping weight	0.02kg
Tariff code	85365019

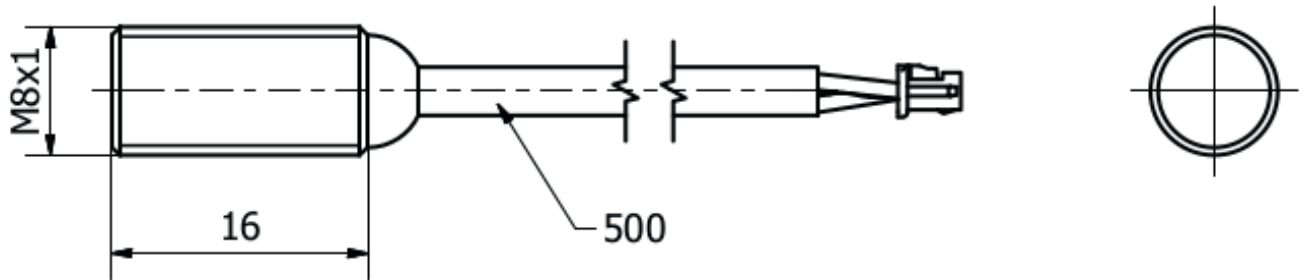
Classification

ipf product group	700
eClass 8.0	27270101
eClass 9.0	27270101
eClass 9.1	27270101
ETIM-5.0	EC002714
ETIM-6.0	EC002714
ETIM-7.0	EC002714

Connection



Dimensional drawing



Installation



Mounting / installation may only be carried out by a qualified electrician!

Disposal



Software

Any software, drivers or IOOD files that may be required to operate your device can be downloaded free of charge from our homepage: www.ipf-electronic.com

Safety warnings

Before initial operation, please make sure to follow all safety instructions that may be provided in the product information.

Never use these devices in applications where the safety of a person depends on their functionality.

LED lighting systems can generate intensive UV radiation, which can damage your eyes in case of improper use. The manufacturer cannot be held responsible for damages that result from improper use or connection.