

## IB090175

### INDUCTIVE SENSORS • NORM SWITCHING DISTANCE

sensor inductive, 49x8x8mm, Flush, Sn: 2, 10-30V DC, PNP NO,  
Connector M8 3pin, IP67, Brass Nickel-plated



#### MECHANICAL FEATURES

Active area material of sensor	PBT
Ambient temperature	-25 °C ... 75 °C
Degree of protection (IP)	IP67
Design	Cuboid
Housing coating	Nickel-plated
Housing material	Brass
Max. tightening torque	1 Nm
Mechanical mounting condition for sensor	Flush
Pressure-proof	-
Sensor height	49 mm
Sensor length	8 mm
Sensor width	8 mm

#### ELECTRICAL FEATURES

Cascadable	-
Hysteresis	20 %
No-load current	12 mA
Number of pins	3
Rated switching current	200 mA
Reverse polarity protection	+
Short-circuit protection	+
Suitable for safety functions	-
Supply voltage	10 V ... 30 V
Switching distance	2 mm
Switching frequency	5000 Hz
Type of electrical connection	Connector M8
Type of switching function	Normally open contact
Type of switching output	PNP
Voltage drop	2 V
Voltage type	DC
With LED display	+
With monitoring function of downstream devices	-

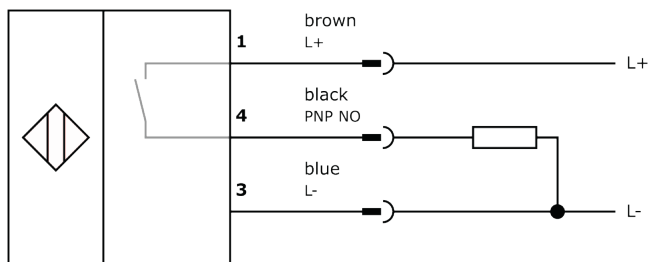
## Other

Packaging dimensions	100mm x 17.0mm x 120mm
Shipping weight	0.02kg
Tariff code	85365019

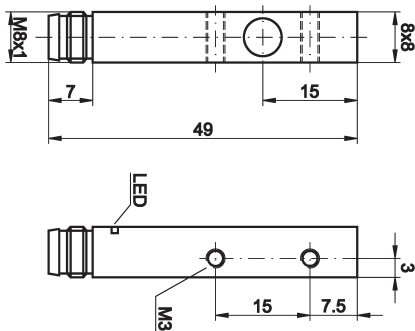
## Classification

ipf product group	215
eClass 8.0	27270101
eClass 9.0	27270101
eClass 9.1	27270101
ETIM-5.0	EC002714
ETIM-6.0	EC002714
ETIM-7.0	EC002714

## Connection



## Dimensional drawing



## Installation



Mounting / installation may only be carried out by a qualified electrician!

## Disposal



## Software

Any software, drivers or IODD files that may be required to operate your device can be downloaded free of charge from our homepage: [www.ipf-electronic.com](http://www.ipf-electronic.com)

## Safety warnings

Before initial operation, please make sure to follow all safety instructions that may be provided in the product information. Never use these devices in applications where the safety of a person depends on their functionality. LED lighting systems can generate intensive UV radiation, which can damage your eyes in case of improper use. The manufacturer cannot be held responsible for damages that result from improper use or connection.