



IL-300

Sensor heads



## SPECIFICATIONS

Model	IL-300	
Reference distance	300 mm	
Measurement range	160 to 450 mm	
Light source	Type	Red semiconductor laser, wavelength: 655 nm (visible light)
	Laser class	Class 2 (FDA (CDRH) Part1040.10) <sup>1</sup> Class 2 (IEC 60825-1)
	Output	560 μW
Spot diameter (at standard distance)	Approx. ø0.5 mm	
Linearity	±0.25% of F.S. (160 mm to 440 mm) <sup>2,3</sup>	
Repeatability	30 μm <sup>4</sup>	
Sampling rate	0.33/1/2/5 ms (4 levels available)	
Operation status indicators	Laser emission warning indicator: Green LED, Analogue range indicator: Orange LED, Reference distance indicator: Red/Green LED	
Temperature characteristics	0.08% of F.S./°C <sup>3</sup>	
Environmental resistance	Enclosure rating	IP67
	Pollution degree	3
	Ambient light	Incandescent lamp: 5,000 lux <sup>5</sup>
	Ambient temperature	-10 to +50 °C (No condensation or freezing)
	Relative humidity	35 to 85 % RH (No condensation)
	Vibration resistance	10 to 55 Hz, Double amplitude 1.5 mm, 2 hours in each of the X, Y, and Z directions
Material	Housing material: PBT, Metal parts: SUS304, Packing: NBR, Lens cover: Glass, Cable: PVC	
Weight	Approx. 135 g	

<sup>1</sup> The laser classification for FDA (CDRH) is implemented based on IEC 60825-1 in accordance with the requirements of Laser Notice No.50.

<sup>2</sup> Value when measuring the KEYENCE standard target (white diffuse object).

<sup>3</sup> F.S. of each model is as follows. IL-030: ±5 mm IL-065: ±10 mm IL-100: ±20 mm IL-300: ±140 mm IL-600: ±400 mm

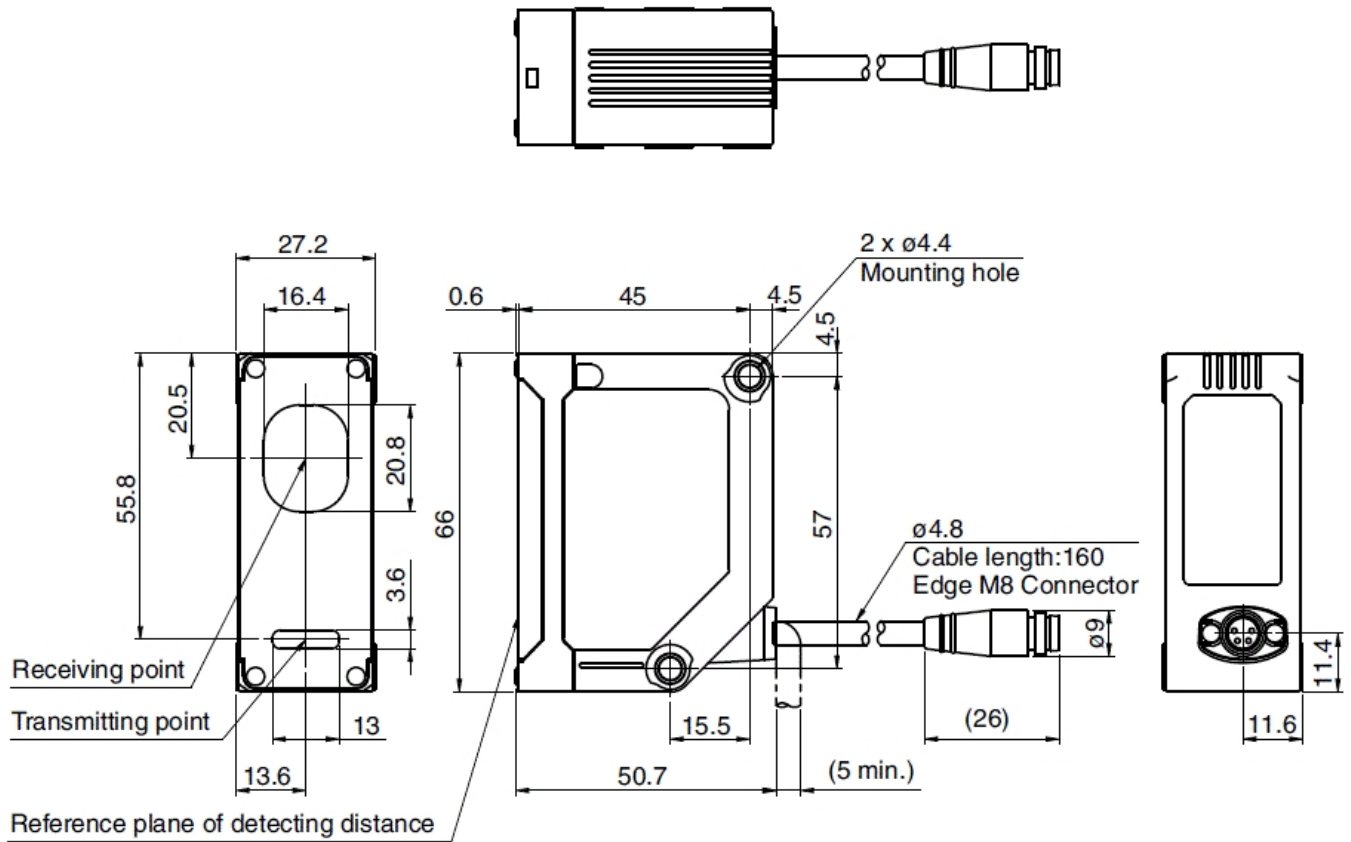
<sup>4</sup> Value when measuring the KEYENCE standard target (white diffuse object) at the reference distance, sampling rate: 1 ms, and average number of times: 128. For the IL-300/IL-600, the sampling rate is 2 ms.

<sup>5</sup> Value when the sampling rate is set to 2 ms or 5 ms.

## Dimensions

\* Download CAD file or product manual for larger image/text and more detail.

### ● IL-300/IL-600



## Mounting bracket

