

## OC299820 CAMERA SENSORS •

Camera sensors are used to simultaneously check various properties of objects (e.g., completeness, dimensional accuracy, position, damages, labeling). This takes place independent of the component position virtually in real time. Camera sensors are image processing systems that combine image sensor and image processing computer with image processing software in a metal housing. Depending on the version, lens and illumination unit are also integrated in the housing or must be additionally mounted. The camera sensors are set using an intuitive software program. On the device, object-specific check programs can be stored that contain the respective feature checks. These programs can be activated depending on the object that is to be inspected. The rugged housing design makes possible use under harsh environmental conditions.



### MECHANICAL FEATURES

Ambient temperature (MAX)	50 °C
Housing coating	With powder coating
Housing material	Aluminum
Sensor height	29 mm
Sensor length	29.3 mm
Sensor width	29 mm

### ELECTRICAL FEATURES

For interchangeable lens (C-mount)	+
Input voltage at DC	4.45 V ... 5.5 V
Measuring time for high speed	750 fps
No-load current	300 mA
Number of digital inputs	1
Number of digital outputs	1
Number of pins	10
Number of pins of the communication interface	5
Number of switching outputs	1
Operating voltage	4.45 V ... 5.5 V
Power consumption	3 W
Property picture system	Color
Setting procedure	Application software
Type of communication interface	USB 3.0 Micro-B
Type of electrical connection	USB 3.0 Micro-B
Type of plug-in contact, communication interface	Male (plug)
Type of switching function	Programmable/configurable
Type of switching output	Optocoupler
With RS485	-

### OPTICAL FEATURES

Resolution	640x480
Focal distance	Variable
Image recorder	CMOS(1/3")
Geometry of edge contour	-

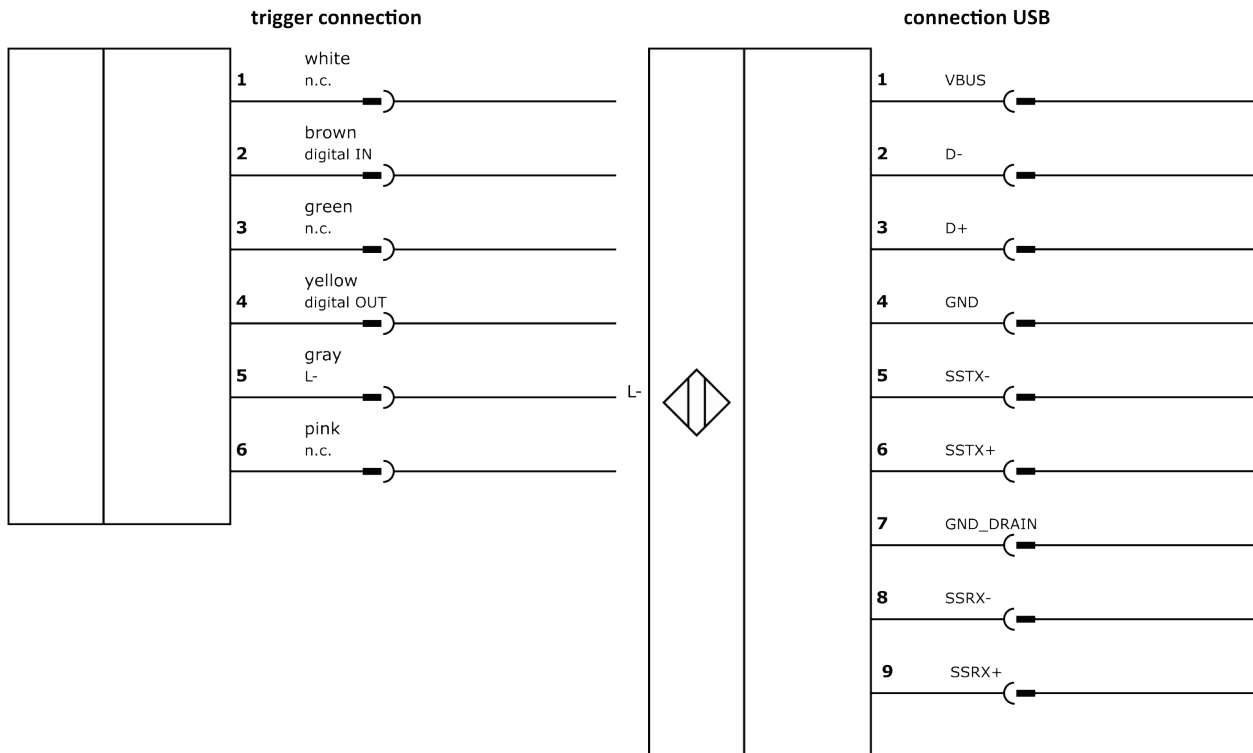
## OTHER FEATURES

Air humidity	20 ... 80% noncondensing
<b>Other</b>	
Packaging dimensions	99.0mm x 60mm x 160mm
Shipping weight	0.16kg
Tariff code	90314990

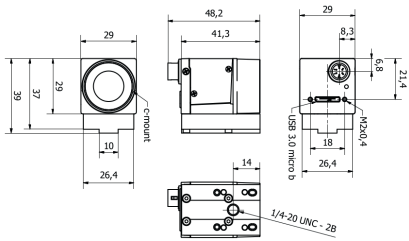
## Classification

ipf product group	715
eClass 8.0	27310201
eClass 9.0	27310201
eClass 9.1	27310201
ETIM-5.0	EC001511
ETIM-6.0	EC001511
ETIM-7.0	EC001511

## Connection



## Dimensional drawing



## Installation



Mounting / installation may only be carried out by a qualified electrician!

## Disposal



## Software

Please download the software or driver required for operating your new device on our homepage: [www.ipf.de](http://www.ipf.de)

## Safety warnings

Before initial operation, please make sure to follow all safety instructions that may be provided in the product information.

Never use these devices in applications where the safety of a person depends on their functionality.

LED lighting systems can generate intensive UV radiation, which can damage your eyes in case of improper use. The manufacturer cannot be held responsible for damages that result from improper use or connection.