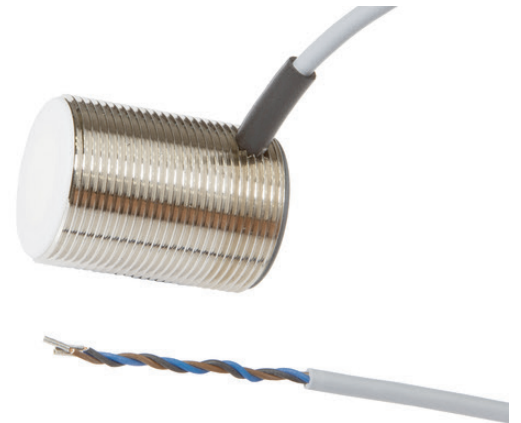


## KB300104

### CAPACITIVE SENSORS • NORM SWITCHING DISTANCE

Capacitive proximity switches are contact-free sensors. They detect metallic and non-metallic objects, regardless of whether they move or not. The achievable sensing range of the devices depends on the object material, its dimensions and the response sensitivity, which is set via a potentiometer. The vibration-resistant sensors can be approached laterally or frontally. Capacitive proximity switches are used for presence detection (e.g. sealing detection), positioning (e.g. PET bottles), counting (e.g. plastic caps), level detection (e.g. lubricant) or distance measurements (e.g. thickness measurement) of solid and liquid materials.



#### MECHANICAL FEATURES

Active area material of sensor	PTFE
Ambient temperature	-25 °C ... 70 °C
Cable length	2 m
Degree of protection (IP)	IP67
Housing coating	Nickel-plated
Housing design	Cylinder, screw-thread
Housing material	Brass
Material of cable sheath	PUR (Polyurethane)
Mechanical mounting condition for sensor	Flush
Number of cores	3
Pressure-proof	-
Sensor length	40 mm
Thread length	40 mm
Thread pitch	1.5 mm
Thread size, metric	30
Wire cross section	0.14 mm <sup>2</sup>

#### ELECTRICAL FEATURES

Cascadable	-
Correction factor (glass)	0.6
Correction factor (oil)	0.5
Correction factor (PVC)	0.5
Correction factor (wood)	0.6
Max. output current	200 mA
No-load current	15 mA
Number of pins	3
Rated control supply voltage $U_s$ at DC	10 V ... 30 V
Residual ripple	5 %
Reverse polarity protection	+
Setting procedure	Manual adjustment
Short-circuit protection	+
Suitable for safety functions	-
Supply voltage	10 V ... 30 V

## ELECTRICAL FEATURES

Switching distance	10 mm
Switching distance	0.5 mm ... 25 mm
Switching frequency	200 Hz
Type of actuation	Other
Type of electrical connection	Cable
Type of switching output	PNP
Voltage drop	2 V
Voltage type	DC
With LED display	+
With monitoring function of downstream devices	-

## OTHER FEATURES

Level detection	+
-----------------	---

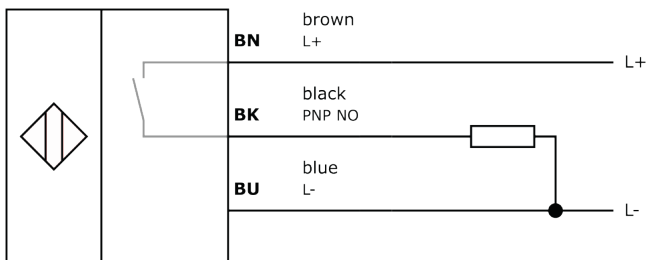
## Other

Packaging dimensions	70mm x 40mm x 125.0mm
Shipping weight	0.16kg
Tariff code	

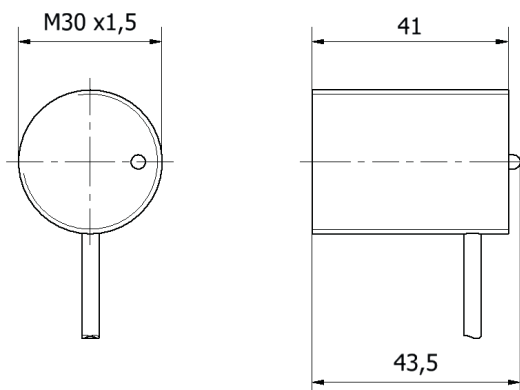
## Classification

ipf product group	243
eClass 8.0	27270102
eClass 9.0	27270102
eClass 9.1	27270102
ETIM-5.0	EC002715
ETIM-6.0	EC002715
ETIM-7.0	EC002715

## Connection



## Dimensional drawing



## Installation



Mounting / installation may only be carried out by a qualified electrician!

## Disposal



## Software

Please download the software or driver required for operating your new device on our homepage: [www.ipf.de](http://www.ipf.de)

## Safety warnings

Before initial operation, please make sure to follow all safety instructions that may be provided in the product information.

Never use these devices in applications where the safety of a person depends on their functionality.

LED lighting systems can generate intensive UV radiation, which can damage your eyes in case of improper use. The manufacturer cannot be held responsible for damages that result from improper use or connection.