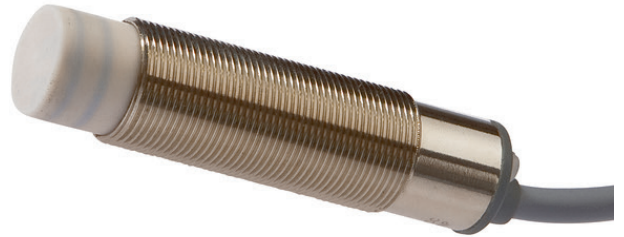


KN180400

CAPACITIVE SENSORS • NORM SWITCHING DISTANCE

Capacitive proximity switches are contact-free sensors. They detect metallic and non-metallic objects, regardless of whether they move or not. The achievable sensing range of the devices depends on the object material, its dimensions and the response sensitivity, which is set via a potentiometer. The vibration-resistant sensors can be approached laterally or frontally. Capacitive proximity switches are used for presence detection (e.g. sealing detection), positioning (e.g. PET bottles), counting (e.g. plastic caps), level detection (e.g. lubricant) or distance measurements (e.g. thickness measurement) of solid and liquid materials.



MECHANICAL FEATURES

| | |
|------------------------------------------|------------------------|
| Active area material of sensor | PTFE |
| Ambient temperature | -25 °C ... 70 °C |
| Cable length | 2 m |
| Degree of protection (IP) | IP67 |
| Housing coating | Nickel-plated |
| Housing design | Cylinder, screw-thread |
| Housing material | Brass |
| Material of cable sheath | PVC |
| Mechanical mounting condition for sensor | Non-flush |
| Number of cores | 4 |
| Pressure-proof | - |
| Sensor length | 70 mm |
| Thread length | 50 mm |
| Thread pitch | 1 mm |
| Thread size, metric | 18 |

ELECTRICAL FEATURES

| | |
|------------------------------------------|-------------------|
| Cascadable | - |
| Correction factor (glass) | 0.6 |
| Correction factor (oil) | 0.5 |
| Correction factor (PVC) | 0.5 |
| Correction factor (wood) | 0.6 |
| Hysteresis | 15 % |
| Max. output current | 250 mA |
| No-load current | 15 mA |
| Number of switching outputs | 2 |
| Rated control supply voltage U_s at DC | 10 V ... 35 V |
| Reverse polarity protection | + |
| Setting procedure | Manual adjustment |
| Short-circuit protection | + |
| Suitable for safety functions | - |
| Supply voltage | 10 V ... 35 V |
| Switching distance | 8 mm |

ELECTRICAL FEATURES

| | |
|------------------------------------------------|------------------|
| Switching distance | 0.5 mm ... 15 mm |
| Switching frequency | 50 Hz |
| Type of electrical connection | Cable |
| Type of switching function | Exclusive-OR |
| Type of switching output | PNP |
| Voltage drop | 2 V |
| Voltage type | DC |
| With LED display | + |
| With monitoring function of downstream devices | - |

OTHER FEATURES

| | |
|-----------------|---|
| Level detection | + |
|-----------------|---|

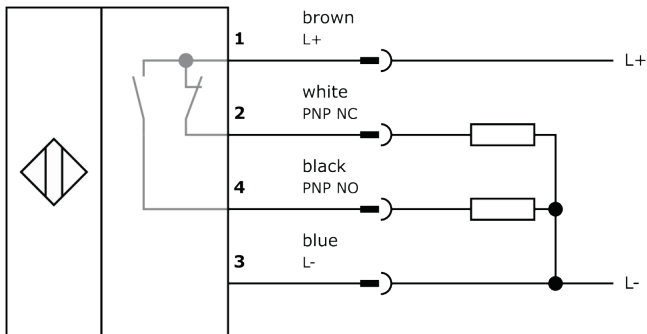
Other

| | |
|----------------------|---------------------------|
| Packaging dimensions | 77.0mm x 25.0mm x 123.0mm |
| Shipping weight | 0.15kg |
| Tariff code | 85365019 |

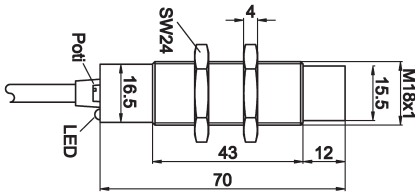
Classification

| | |
|-------------------|----------|
| ipf product group | 243 |
| eClass 8.0 | 27270102 |
| eClass 9.0 | 27270102 |
| eClass 9.1 | 27270102 |
| ETIM-5.0 | EC002715 |
| ETIM-6.0 | EC002715 |
| ETIM-7.0 | EC002715 |

Connection



Dimensional drawing



Installation



Mounting / installation may only be carried out by a qualified electrician!

Disposal



Software

Please download the software or driver required for operating your new device on our homepage: www.ipf.de

Safety warnings

Before initial operation, please make sure to follow all safety instructions that may be provided in the product information.

Never use these devices in applications where the safety of a person depends on their functionality.

LED lighting systems can generate intensive UV radiation, which can damage your eyes in case of improper use. The manufacturer cannot be held responsible for damages that result from improper use or connection.