



Identification	Type	LRC-M1-0490 3AC 500V 4kW
	Part-No.	700490

Description	Motor suppression in the M1, M2 and M3 enclosure for AC motors up to 30 kW, 3 AC x 500 V Protection device: RC module
--------------------	--

Technical data	
Type of function	Motor suppression
Protection device	RC module
Rated voltage U_N	3x AC 500 V
Rated frequency f_N	50 Hz / 60 Hz
Engine power	4 kW
Type of connecting lead	1.0 mm ² PVC
Cable length	0.22 m

General	
Design	M 1
Potting compound	2-components
Conductor color	black
Housing material	PPO
Color of the housing	grey

13.08.2018 – Subject to technical modification

Part-No. 700490

USA: LUTZE INC.

13330 South Ridge Drive • Charlotte, NC 28273, USA
Tel. +1 (704) 504-0222 • Fax +1 (704) 504-0223
www.lutze.com • info@lutze.com

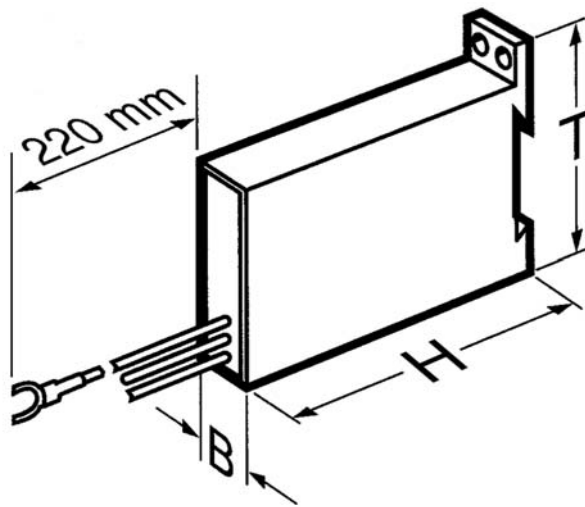
United Kingdom: LÜTZE Ltd.

Unit 3, Sandy Hill Park
Sandy Way, Amington • GB-Tamworth, Staffs B77 4DU
Tel. +44 (0)1827 31333-0 • Fax +44 (0)1827 31333-2
www.lutze.com • sales.gb@lutze.co.uk



Technical data sheet • Suppression Technology

Degree of pollution	3
Protection class	IP67
Mounting	DIN rail mounting 2 snap-on sockets Attachment hole m 4
Connection device	Fork-type cable lug M 4
Operation temperature range	-20 °C ... +60 °C
Storage temperature range	-40 °C ... +90 °C
Dimensions (w x h x d)	15.0 x 70.0 x 48.0 mm
Weight	0.066 kg/piece
PU	10 piece
Approvals	cURus (E135145)
Dimensions	



13.08.2018 – Subject to technical modification

Part-No. 700490

USA: LUTZE INC.

13330 South Ridge Drive • Charlotte, NC 28273, USA
Tel. +1 (704) 504-0222 • Fax +1 (704) 504-0223
www.lutze.com • info@lutze.com

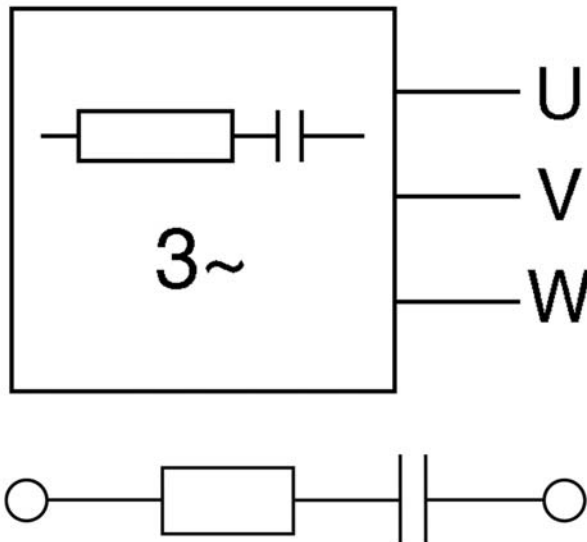
United Kingdom: LÜTZE Ltd.

Unit 3, Sandy Hill Park
Sandy Way, Amington • GB-Tamworth, Staffs B77 4DU
Tel. +44 (0)1827 31333-0 • Fax +44 (0)1827 31333-2
www.lutze.com • sales.gb@lutze.co.uk



SYSTEMATIC TECHNOLOGY

PIN assignment



Symbols



Accessories

Snap-on socket type 2, grey:
Part-No. 700499 | DIN rail mounting | PU: 10 units

13.08.2018 – Subject to technical modification

Part-No. 700490

USA: LUTZE INC.

13330 South Ridge Drive • Charlotte, NC 28273, USA
Tel. +1 (704) 504-0222 • Fax +1 (704) 504-0223
www.lutze.com • info@lutze.com

United Kingdom: LÜTZE Ltd.

Unit 3, Sandy Hill Park
Sandy Way, Amington • GB-Tamworth, Staffs B77 4DU
Tel. +44 (0)1827 31333-0 • Fax +44 (0)1827 31333-2
www.lutze.com • sales.gb@lutze.co.uk