



Identification	Type Part-No.	LVER-V10-5509 DC 24V 705509
Description	Adjustable male, form A (18 mm) Switching amplifier with and without galvanic insulation Ground wire terminator, short-circuit-proof, 0°–180° installation	
Technical data	Type of function Protection device Rated voltage U_N Rated voltage range Current Consumption Cut-off peak Control current Switching current Switching frequency Switch-on delay Switch-off delay Holding Capacity Connecting lead \varnothing Fitting	
	Switching amplifier Suppressor diode DC 24 V 18 – 30 V 21 mA ≤ 52 V 10 mA 0.005 A – 2 A, short circuit protection max. 20 Hz <100 μ s <200 μ s 100 VA 5 – 9 mm PG 9	

13.08.2018 – Subject to technical modification

Part-No. 705509

USA: LUTZE INC.

13330 South Ridge Drive • Charlotte, NC 28273, USA
Tel. +1 (704) 504-0222 • Fax +1 (704) 504-0223
www.lutze.com • info@lutze.com

United Kingdom: LÜTZE Ltd.

Unit 3, Sandy Hill Park
Sandy Way, Amington • GB-Tamworth, Staffs B77 4DU
Tel. +44 (0)1827 31333-0 • Fax +44 (0)1827 31333-2
www.lutze.com • sales.gb@lutze.co.uk



SYSTEMATIC TECHNOLOGY

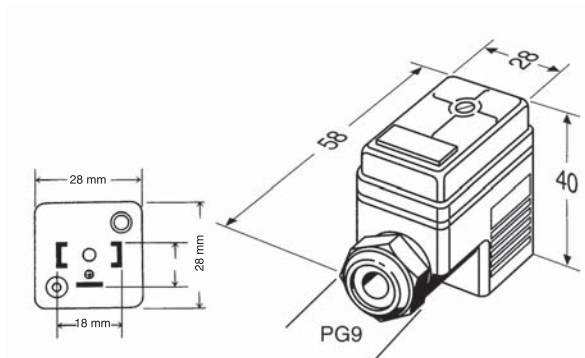
Technical data sheet • Suppression Technology

Short-circuit protection Short circuit protected

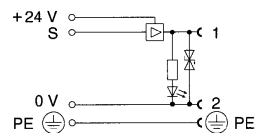
General

Design	A (18 mm)
Status indication	LED yellow
Amperage range	≤2 A
Insulation resistance	>100 MΩ
Pole number	3
Housing material	PA
Color of the housing	black
Contact material	CuSn tin-plated
Material sealing ring	NBR
Mechanical service life	>100 insertion cycles
Degree of pollution	3
Protection class	IP65
Mounting	Breakaway torque 0.4 Nm
Connection device	Screw terminal
Connection cross-section	0.5 – 1.5 mm ²
Connection cross-section	AWG 20 – AWG 16
Material seal	NBR
Operation temperature range	-25 °C ... +60 °C
Storage temperature range	-25 °C ... +80 °C
Dimensions (w × h × d)	28.0 × 40.0 × 58.0 mm
Weight	0.039 kg/piece
PU	10 piece
Standards	EN 175301-803 ISO 4400

Dimensions



PIN assignment



13.08.2018 – Subject to technical modification

Part-No. 705509

USA: LUTZE INC.

13330 South Ridge Drive • Charlotte, NC 28273, USA
Tel. +1 (704) 504-0222 • Fax +1 (704) 504-0223
www.lutze.com • info@lutze.com

United Kingdom: LÜTZE Ltd.

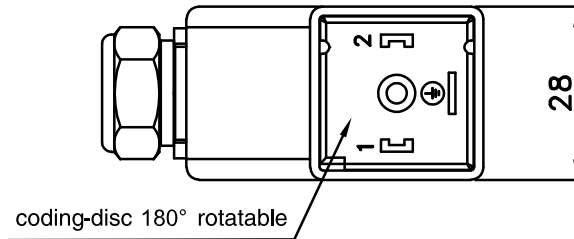
Unit 3, Sandy Hill Park
Sandy Way, Amington • GB-Tamworth, Staffs B77 4DU
Tel. +44 (0)1827 31333-0 • Fax +44 (0)1827 31333-2
www.lutze.com • sales.gb@lutze.co.uk



SYSTEMATIC TECHNOLOGY

Technical data sheet • Suppression Technology

Mounting diagram



Accessories

Marker holder BZT, white:
Part-No. 681315 | BZT 0920 | PU: 100 units

13.08.2018 – Subject to technical modification

Part-No. 705509

USA: LUTZE INC.

13330 South Ridge Drive • Charlotte, NC 28273, USA
Tel. +1 (704) 504-0222 • Fax +1 (704) 504-0223
www.lutze.com • info@lutze.com

United Kingdom: LÜTZE Ltd.

Unit 3, Sandy Hill Park
Sandy Way, Amington • GB-Tamworth, Staffs B77 4DU
Tel. +44 (0)1827 31333-0 • Fax +44 (0)1827 31333-2
www.lutze.com • sales.gb@lutze.co.uk