

dimensions **43.5 x 270 x 73mm**

measuring range 0.04...15 Nm³/h

- ✓ measurement of mass flow rate
- ✓ consumption measurement in compressed air nets
- ✓ IO-Link interface
- ✓ easy installation
- ✓ LED-display
- ✓ M12-connector, 4-pin



**IO-Link interface
analog and switching output**

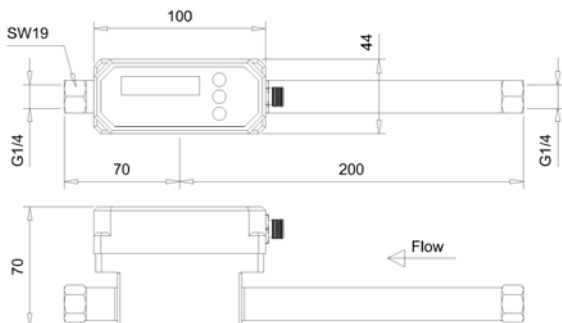


Technical Data

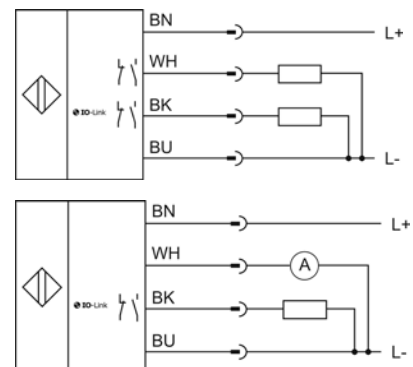
SL430020

detection range flow / air	0.04 ... 15.0Nm ³ /h, 0.5 ... 250NI/min, 0.2 ... 65.5Nm/s
detection range temperature	0.0 ... 60°C
operating voltage	18 ... 30V DC
current consumption (w/o load)	≤ 120mA
output 1	PNP, no/nc, NPN, no/nc, IO-Link, impulse PNP, no
output 2	PNP, no/nc, NPN, no/nc, analog 4...20mA, reset-input (dosage)
load resistance (analog output)	≤ 500Ω
output current (switching outputs)	≤ 150mA
display flow rate	LED red, 6-digit, 7-segment
pressure resistance (at 25 °C)	16bar
temperature (operating)	-10 ... +60 °C
temperature (medium)	0 ... +60 °C
protection class (EN 60529)	IP 54
materials (housing)	aluminum, PBT, polyester, stainless steel 1.4571
materials (sensor)	aluminum, stainless steel 1.4301, thermoplast, ceramics, glass coating
connection	M12-connector, 4-pin
connection accessories	e.g. VK205325
mounting accessories	AS000011

dimensional drawing



connection examples



Warning: Never use these devices in applications where the safety of a person depends on their functionality.