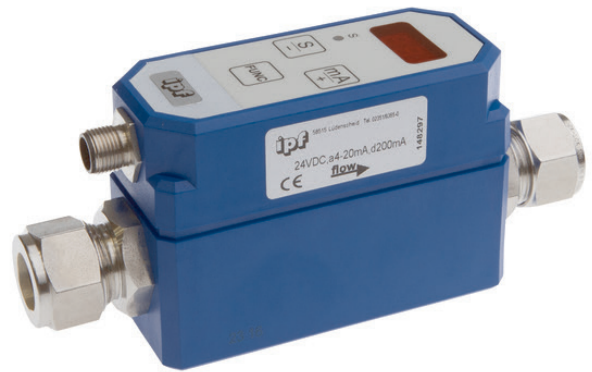


SM430021

FLOW SENSORS • SENSORS FOR WATER

sensor flow, Magnetic-inductive, 43x100x72mm, Cutting ring fitting for OD 15mm, 24V DC, PNP Programmable/configurable, 4-20mA, Plug-in connection M12 4pin, PBT / PVDF, Pressure resistance 10bar, Parameterization



MECHANICAL FEATURES

| | |
|---|----------------------------------|
| Degree of protection (IP) of evaluation electronics | IP65 |
| Degree of protection (IP) of measuring head | IP65 |
| Design | Cuboid |
| Height | 43 mm |
| Housing material | PBT / PVDF |
| Length | 100 mm |
| Measuring range of flow velocity with oil | 1 m/s ... 80 m/s |
| Measuring range of flow velocity with water | 1 m/s ... 80 m/s |
| Medium temperature | 5 °C ... 60 °C |
| Pressure resistance | 10 bar |
| Sensing element material | Stainless steel 1.4571 |
| Type of process connection | Cutting ring fitting for OD 15mm |
| Width | 72 mm |

ELECTRICAL FEATURES

| | |
|--|---------------------------|
| Adjustable responding value for flow for liquids | 0.2 m/s ... 80 m/s |
| Flow measurement | + |
| Measuring head integrated in device | + |
| Measuring principle of flow | Magnetic-inductive |
| No-load current | 100 mA |
| Number of pins | 4 |
| Number of switching points | 1 |
| Operating voltage | 24 V ... 24 V |
| Rated switching current | 200 mA |
| Readiness delay | 10 ms |
| Response time | 8000 ms |
| Setting procedure | Parameterization |
| Turn-off delay | 50 s |
| Type of analog output | 4 mA ... 20 mA |
| Type of electrical connection | Plug-in connection M12 |
| Type of switching function | Programmable/configurable |
| Type of switching output | PNP |
| Voltage type | DC |

ELECTRICAL FEATURES

| | |
|------------------|---|
| With LED display | + |
|------------------|---|

OTHER FEATURES

| | |
|--------------------|---|
| Suitable for gases | - |
|--------------------|---|

| | |
|----------------------|---|
| Suitable for liquids | + |
|----------------------|---|

Other

| | |
|----------------------|--------------------------|
| Packaging dimensions | 138.0mm x 95.0mm x 210mm |
|----------------------|--------------------------|

| | |
|-----------------|--------|
| Shipping weight | 0.79kg |
|-----------------|--------|

| | |
|-------------|----------|
| Tariff code | 90261021 |
|-------------|----------|

Classification

| | |
|-------------------|-----|
| ipf product group | 300 |
|-------------------|-----|

| | |
|------------|----------|
| eClass 8.0 | 27371815 |
|------------|----------|

| | |
|------------|----------|
| eClass 9.0 | 27371815 |
|------------|----------|

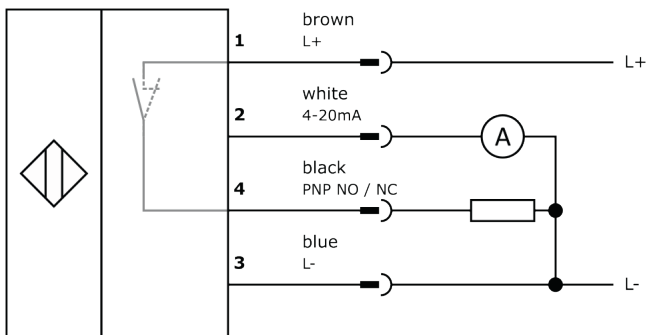
| | |
|------------|----------|
| eClass 9.1 | 27371815 |
|------------|----------|

| | |
|----------|----------|
| ETIM-5.0 | EC002580 |
|----------|----------|

| | |
|----------|----------|
| ETIM-6.0 | EC002580 |
|----------|----------|

| | |
|----------|----------|
| ETIM-7.0 | EC002580 |
|----------|----------|

Connection



Dimensional drawing

Installation



Mounting / installation may only be carried out by a qualified electrician!

Disposal



Software

Any software, drivers or IODD files that may be required to operate your device can be downloaded free of charge from our homepage: www.ipf-electronic.com

Safety warnings

Before initial operation, please make sure to follow all safety instructions that may be provided in the product information. Never use these devices in applications where the safety of a person depends on their functionality. LED lighting systems can generate intensive UV radiation, which can damage your eyes in case of improper use. The manufacturer cannot be held responsible for damages that result from improper use or connection.