

SS270120

FLOW SENSORS • SENSORS FOR WATER

sensor flow, Calorimetric, 67x112x27mm, G1/4 inch, 24V DC, PNP NO (NO), Plug-in connection M12 4pin, Plastic, Pressure resistance 20bar, Manual adjustment



MECHANICAL FEATURES

Degree of protection (IP) of evaluation electronics	IP67
Degree of protection (IP) of measuring head	IP67
Depth	112 mm
Design	Cuboid
Height	67 mm
Housing material	Plastic
Length	112 mm
Measuring range of flow volume with water (MAX)	1 l/min
Measuring range of flow volume with water	0.015 l/min ... 80 °C
Pressure resistance	20 bar
Sensing element material	Stainless steel 1.4571
Type of process connection	G1/4 inch
Width	27 mm

ELECTRICAL FEATURES

Adjustable responding value for flow for liquids	0.02 m/s ... 0.02 m/s
Measuring principle of flow	Calorimetric
No-load current	50 mA
Number of pins	4
Operating voltage	24 V ... 24 V
Rated switching current	200 mA
Readiness delay	15 ms
Residual ripple	10 %
Response time	1000 ms
Reverse polarity protection	+
Setting procedure	Manual adjustment
Short-circuit protection	+
Type of electrical connection	Plug-in connection M12
Type of switching function	Normally open contact (NO)
Type of switching output	PNP
Voltage drop	2 V
Voltage type	DC
With LED display	+

OTHER FEATURES

Cooling water circuits	+
Suitable for gases	-
Suitable for liquids	+

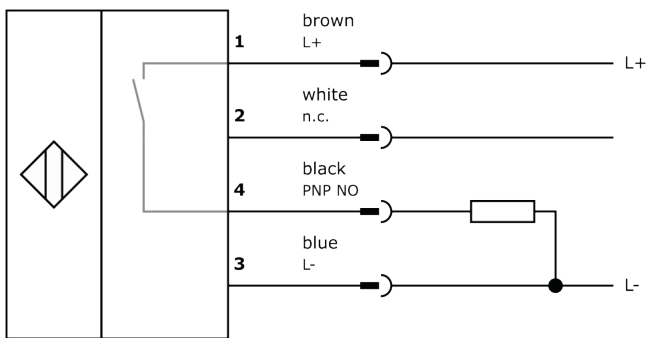
Other

Packaging dimensions	99.0mm x 60mm x 160mm
Shipping weight	0.32kg
Tariff code	90261021

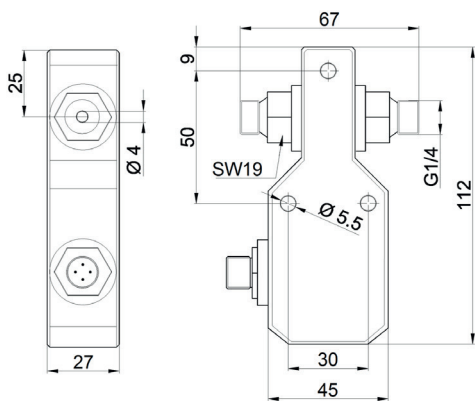
Classification

ipf product group	300
eClass 8.0	27371815
eClass 9.0	27371815
eClass 9.1	27371815
ETIM-5.0	EC002580
ETIM-6.0	EC002580
ETIM-7.0	EC002580

Connection



Dimensional drawing



Installation



Mounting / installation may only be carried out by a qualified electrician!

Disposal



Software

Any software, drivers or IODD files that may be required to operate your device can be downloaded free of charge from our homepage: www.ipf-electronic.com

Safety warnings

Before initial operation, please make sure to follow all safety instructions that may be provided in the product information.
Never use these devices in applications where the safety of a person depends on their functionality.
LED lighting systems can generate intensive UV radiation, which can damage your eyes in case of improper use. The manufacturer cannot be held responsible for damages that result from improper use or connection.