

## SS270129

### FLOW SENSORS • SENSORS FOR WATER

sensor flow, Calorimetric, 27x112x67mm, G1/4 inch, 24V DC, PNP  
NO (NO), Plug-in connection M12, PBT, Pressure resistance 20bar



#### MECHANICAL FEATURES

Degree of protection (IP) of evaluation electronics	IP67
Degree of protection (IP) of measuring head	IP67
Design	Cuboid
Height	27 mm
Housing material	PBT
Length	112 mm
Measuring range of flow volume with water	0.015 l/min ... 1 l/min
Medium temperature	-20 °C ... 80 °C
Pressure resistance	20 bar
Sensing element material	Stainless steel 1.4571
Type of process connection	G1/4 inch
Width	67 mm

#### ELECTRICAL FEATURES

Measuring principle of flow	Calorimetric
No-load current	50 mA
Operating voltage	24 V ... 24 V
Rated switching current	200 mA
Readiness delay	15 ms
Response time	100 ms
Type of electrical connection	Plug-in connection M12
Type of switching function	Normally open contact (NO)
Type of switching output	PNP
Voltage type	DC
With LED display	+

#### OTHER FEATURES

Cooling water circuits	+
Suitable for gases	-
Suitable for liquids	+

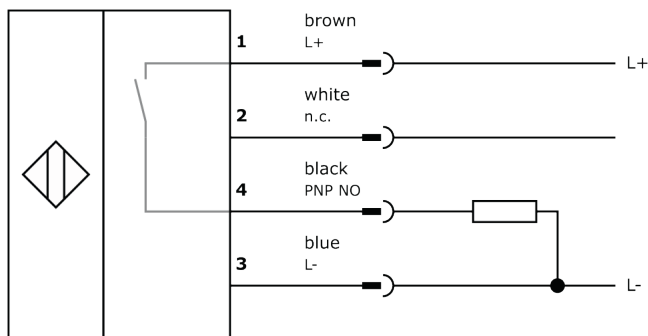
## Other

Packaging dimensions	99.0mm x 60mm x 160mm
Shipping weight	0.31kg
Tariff code	90261021

## Classification

ipf product group	300
eClass 8.0	27371815
eClass 9.0	27371815
eClass 9.1	27371815
ETIM-5.0	EC002580
ETIM-6.0	EC002580
ETIM-7.0	EC002580

## Connection



## Dimensional drawing

### Installation



Mounting / installation may only be carried out by a qualified electrician!

### Disposal



### Software

Any software, drivers or IODD files that may be required to operate your device can be downloaded free of charge from our homepage: [www.ipf-electronic.com](http://www.ipf-electronic.com)

### Safety warnings

Before initial operation, please make sure to follow all safety instructions that may be provided in the product information.

Never use these devices in applications where the safety of a person depends on their functionality.

LED lighting systems can generate intensive UV radiation, which can damage your eyes in case of improper use. The manufacturer cannot be held responsible for damages that result from improper use or connection.