

flow sensor, inline

PRODUCT flow sensor, inline
compact, with digital display

DESIGN 43 43 x 100 x 74mm

- flow and temperature monitoring for water and water-glycol
- cutting ring threaded connection for steel tubes acc. DIN 2391 / ISO 3304
- 2 switching outputs or 1 switching and 1 analog output
- programmable via membrane keyboard
- connection via 4-pin M12-connector



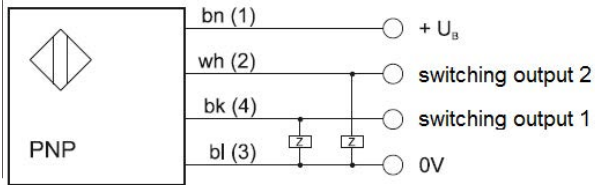
Technical Data

SS43 (see list of articles, page 2)

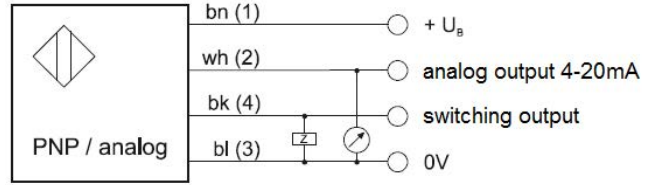
operating voltage	24V DC \pm 10%
current consumption (w/o load)	\leq 100mA
switching output (2 at SS43032x)	pn-p, no/nc programmable
ampacity	200mA, short-circuit protected
analog output (only SS43002x)	4 ... 20mA ($R_L = 200 \dots 500\Omega$)
ambient temperature	0 ... 60°C
medium temperature	-10 ... +90°C
temperature gradient	400 K/min
power-on time	6 ... 10sec
reaction time	1 ... 8sec
operating range	see list of articles
outside tube diameter	see list of articles
medium	water / glycol (0, 5, 10, 15, 20, 25, 30%)
temperature monitoring	-10 ... 90°C (alternative switching point)
pressure resistance	20bar
display flow rate	LED 7-segment, 3-digit
degree of protection	IP65 acc. EN 60529
material	housing: PBT, sensor: VA 1.4571 / FKM-sealing
programmable functions	switching point, hysteresis switching output, switch-on and switch-off time delay, percentage of glycol, flow rate correction, averaging, access code
electrical connection	M12-connector, 4-pin

connection

SS43032x



SS43002x



bn= brown, wh=white, bk=black, bl=blue
terminal marking of cable socket in brackets

dimensional drawing

fig. 1

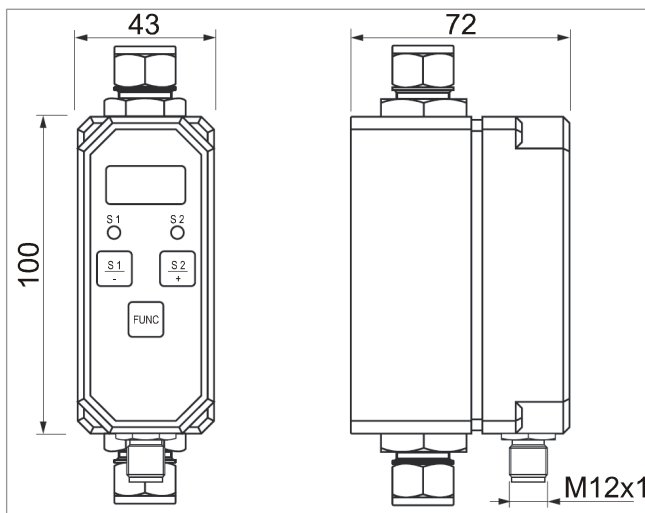
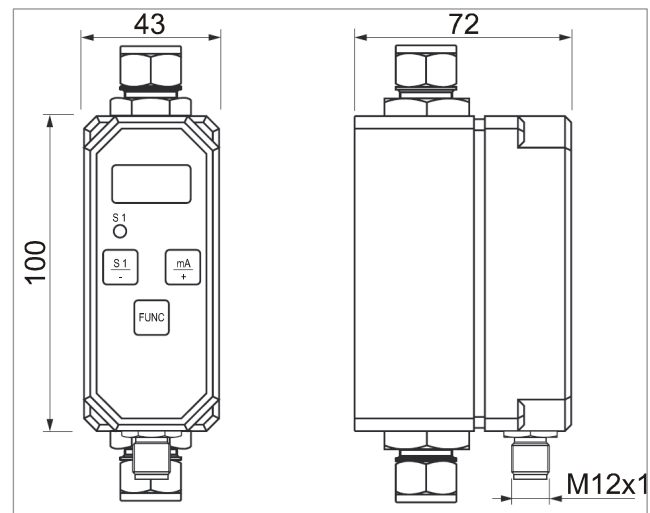


fig. 2



list of articles

article-no.	outside tube diameter	operating range	switching output	analog output	voltage	figure
SS430320	10mm	1-10l/min	2xnpn, 200mA	----	10-35V DC	1
SS430321	15mm	2-20l/min	2xnpn, 200mA	----	10-35V DC	1
SS430322	18mm	4-40l/min	2xnpn, 200mA	----	10-35V DC	1
SS430020	10mm	1-10l/min	1xnpn, 200mA	4-20mA	10-35V DC	2
SS430021	15mm	2-20l/min	1xnpn, 200mA	4-20mA	10-35V DC	2
SS430022	18mm	4-40l/min	1xnpn, 200mA	4-20mA	10-35V DC	2

Warning: Never use these devices in applications where the safety of a person depends on their functionality!