

SS906020

FLOW SENSORS • SENSORS FOR WATER

sensor flow, Calorimetric, G1/2 inch, Anschluss an Verstärker, Plug-in connection M12 4pin, V4A, Pressure resistance 100bar



MECHANICAL FEATURES

| | |
|---|------------------------|
| Degree of protection (IP) of evaluation electronics | IP67 |
| Degree of protection (IP) of measuring head | IP67 |
| Design | Cylinder, screw-thread |
| Housing material | Stainless steel (V4A) |
| Measuring range of flow velocity with oil | 0.03 m/s ... 3 m/s |
| Measuring range of flow velocity with water | 0.01 m/s ... 1.5 m/s |
| Pressure resistance | 100 bar |
| Sensing element material | Stainless steel 1.4571 |
| Thread length | 48 mm |
| Type of process connection | G1/2 inch |

ELECTRICAL FEATURES

| | |
|--|------------------------|
| Adjustable responding value for flow for liquids | 0.01 m/s ... 3 m/s |
| Connection to amplifier | + |
| Max. line length | 100 m |
| Measuring principle of flow | Calorimetric |
| Number of pins | 4 |
| Pressure resistance of measuring head | 100 bar |
| Readiness delay | 15 ms |
| Response time | 13000 ms |
| Temperature setting | 20 °C ... 100 °C |
| Turn-off delay | 25 s |
| Type of electrical connection | Plug-in connection M12 |

OTHER FEATURES

| | |
|----------------------------|---|
| Cooling water circuits | + |
| For hydraulic applications | + |
| Suitable for gases | - |
| Suitable for liquids | + |

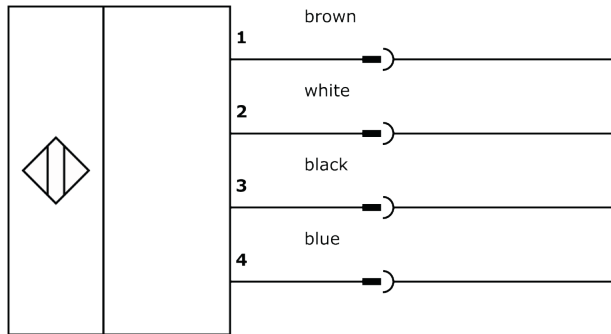
Other

| | |
|----------------------|---------------------------|
| Packaging dimensions | 43.0mm x 43.0mm x 105.0mm |
| Shipping weight | 0.14kg |
| Tariff code | 90261021 |

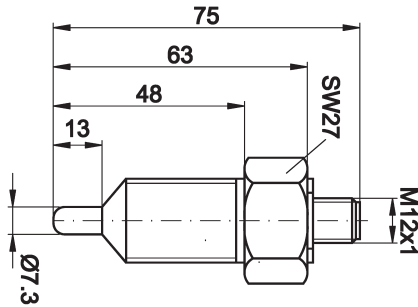
Classification

| | |
|-------------------|----------|
| ipf product group | 300 |
| eClass 8.0 | 27371815 |
| eClass 9.0 | 27371815 |
| eClass 9.1 | 27371815 |
| ETIM-5.0 | EC002580 |
| ETIM-6.0 | EC002580 |
| ETIM-7.0 | EC002580 |

Connection



Dimensional drawing



Installation



Mounting / installation may only be carried out by a qualified electrician!

Disposal



Software

Any software, drivers or IODD files that may be required to operate your device can be downloaded free of charge from our homepage: www.ipf-electronic.com

Safety warnings

Before initial operation, please make sure to follow all safety instructions that may be provided in the product information. Never use these devices in applications where the safety of a person depends on their functionality. LED lighting systems can generate intensive UV radiation, which can damage your eyes in case of improper use. The manufacturer cannot be held responsible for damages that result from improper use or connection.