

VD580828 ROTARY ENCODERS • ENCODERS

A rotary encoder is a device that converts a rotary motion into a digital output signal, which can be processed on a subsequent evaluation electronics. All of our encoders operate according to the principle of optical scanning. Inside the device there is a pulse disc on which is – depending on the encoder - a unique (absolute) or repetitive (incremental) line graduation, which is scanned by an optical system. The turning of the encoder shaft causes rotation of the pulse disc, which results in a corresponding sampling signal of the optical system. This is finally implemented by an integrated electronics in encoder-specific output signals (e.g. multi-turn, RS422 etc.). For professional installation in many applications, shaft couplings or resilient bases for mounting brackets or flanges are used. In addition, the encoder shaft can be equipped with measuring wheels or pinions in various designs and sizes. Typical applications include the angle measurement on bending machines, length measuring of belt systems or speed measurement on winding systems.



MECHANICAL FEATURES

Ambient temperature	-20 °C ... 85 °C
Axial load capacity of shaft	20 N
For damp environments	-
Max. rotation speed	10000 UpM
Moment of inertia	14.5 gcm ²
Radial load capacity of the shaft	40 N
Sensor diameter	58 mm
Sensor length	65 mm
Shaft diameter	6 mm ... 6 mm
Shock resistance, acceleration	200 g
Shock resistance, pulse time	6 ms
Torque	0.02 Nm
Vibration resistance, acceleration	10 g
Vibration resistance, frequency	2000 Hz
Weight	0.25 kg
With hollow shaft	-
With shaft sealing ring	-

ELECTRICAL FEATURES

Impulse rate per revolution	2000 ... 2000
Max. output current	40 A
Max. output frequency	150000 Hz
No-load current	30 mA
Number of pins	12
Positioning of cable feed	IV001908
Reverse polarity protection	-
Shaft length	10
Short-circuit protection	+
Suitable for absolute value detection	-
Supply voltage	4.75 V ... 30 V
Track A inverted	+
Track B inverted	+
Track N inverted	+

ELECTRICAL FEATURES

Type of electrical connection	Connector M23
Voltage type	DC

OTHER FEATURES

Relative air humidity	95 %
Single-turn encoder	+

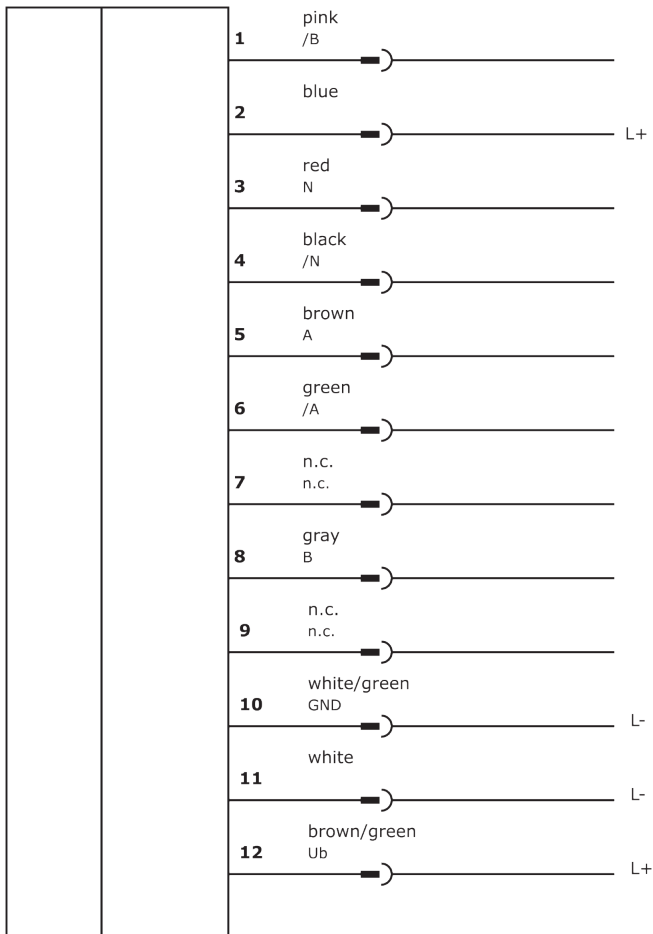
Other

Packaging dimensions	138.0mm x 95.0mm x 210mm
Shipping weight	0.36kg
Tariff code	90318020

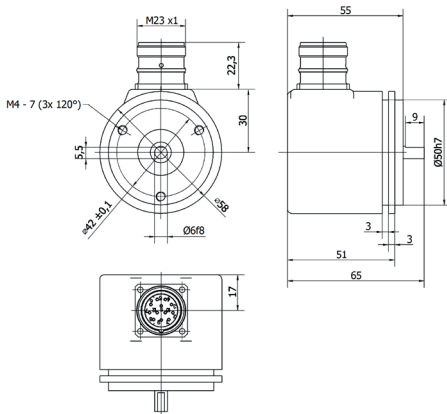
Classification

ipf product group	520
eClass 8.0	27270590
eClass 9.0	27270590
eClass 9.1	27270590
ETIM-5.0	EC001486
ETIM-6.0	EC001486
ETIM-7.0	EC001486

Connection



Dimensional drawing



Installation



Mounting / installation may only be carried out by a qualified electrician!

Disposal



Software

Please download the software or driver required for operating your new device on our homepage: www.ipf.de

Safety warnings

Before initial operation, please make sure to follow all safety instructions that may be provided in the product information.

Never use these devices in applications where the safety of a person depends on their functionality.

LED lighting systems can generate intensive UV radiation, which can damage your eyes in case of improper use. The manufacturer cannot be held responsible for damages that result from improper use or connection.