

## encoder, hollow shaft

**PRODUCT:** encoder incremental, hollow shaft

**DESIGN:** 49 Ø 49mm



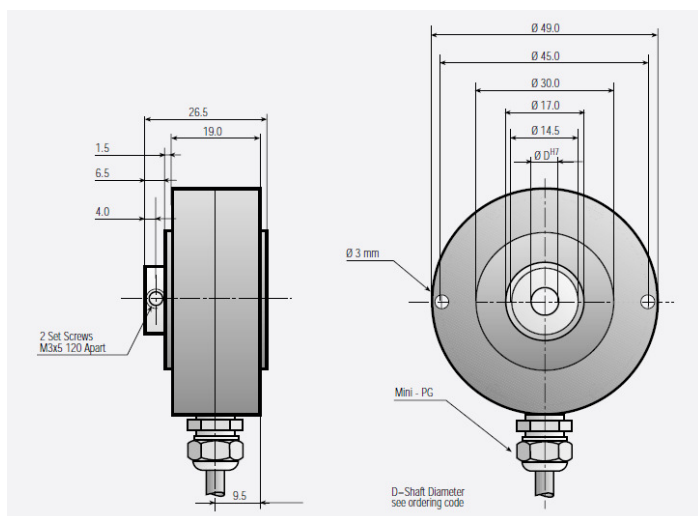
- encoder, hollow shaft Ø 8mm
- compact construction
- 125 pulses per revolution

**article code:** VD98C775

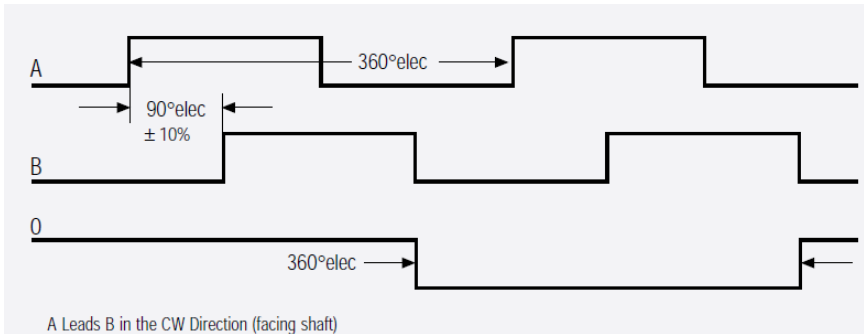
### technical data

supply voltage	4,75...30V DC
current consumption	40mA max.
output circuit	push-pull, RS 422A
impulse frequency	100kHz (max)
logic level (high)	Vcc-0.7 Volt
logic level (low)	0.25 Volt (max)
ambient temperature	-20...+70 °C
system of protection	IP65 DIN 40050
max. rotation speed	≤ 6.000 min <sup>-1</sup>
torque	> 0.04 Nm
pulses per revolution	125
housing material / shaft material	aluminium / stainless steel
weight	ca. 130g

### dim. drawings:



output signals:



electrical connection:

Function	Cable Colour Code
0 Volt	white
+ Volt	brown
A	green
B	yellow
0	grey
$\bar{A}$	pink
$\bar{B}$	blue
$\bar{0}$	red

**WARNING:** Never use these devices in applications where the safety of a person depends on their functionality!