

YN98E105

INCLINATION SENSORS • INCLINATION SENSORS

A rotary encoder is a device that converts a rotary motion into a digital output signal, which can be processed on a subsequent evaluation electronics. All of our encoders operate according to the principle of optical scanning. Inside the device there is a pulse disc on which is – depending on the encoder - a unique (absolute) or repetitive (incremental) line graduation, which is scanned by an optical system. The turning of the encoder shaft causes rotation of the pulse disc, which results in a corresponding sampling signal of the optical system. This is finally implemented by an integrated electronics in encoder-specific output signals (e.g. multi-turn, RS422 etc.). For professional installation in many applications, shaft couplings or resilient bases for mounting brackets or flanges are used. In addition, the encoder shaft can be equipped with measuring wheels or pinions in various designs and sizes. Typical applications include the angle measurement on bending machines, length measuring of belt systems or speed measurement on winding systems.



MECHANICAL FEATURES

Ambient temperature	-40 °C ... 85 °C
For damp environments	+
Inclination angle	-45 ° ... 45 °
Sensor height	75 mm
Sensor length	52.8 mm
Sensor width	22.5 mm
Version	Inclination angle sensor
With shaft sealing ring	-

ELECTRICAL FEATURES

Load resistance (voltage output)	10 kOhm
No-load current	15 mA
Reverse polarity protection	-
Short-circuit protection	-
Suitable for absolute value detection	-
Supply voltage	11 V ... 30 V
Track A inverted	-
Track B inverted	-
Type of analog output	0 V ... 10 V
Voltage type	DC

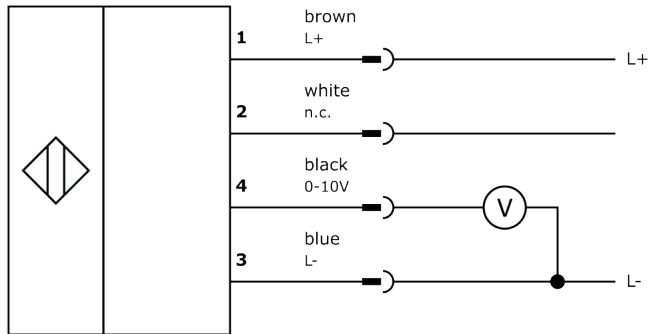
Other

Packaging dimensions	77.0mm x 25.0mm x 123.0mm
Shipping weight	0.08kg
Tariff code	85365019

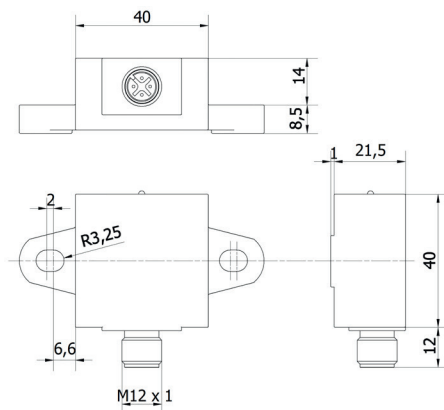
Classification

ipf product group	700
eClass 8.0	21170321
eClass 9.0	21170321
eClass 9.1	21170321
ETIM-5.0	EC001486
ETIM-6.0	EC001486
ETIM-7.0	EC001486

Connection



Dimensional drawing



Installation



Mounting / installation may only be carried out by a qualified electrician!

Disposal



Software

Please download the software or driver required for operating your new device on our homepage: www.ipf.de

Safety warnings

Before initial operation, please make sure to follow all safety instructions that may be provided in the product information. Never use these devices in applications where the safety of a person depends on their functionality. LED lighting systems can generate intensive UV radiation, which can damage your eyes in case of improper use. The manufacturer cannot be held responsible for damages that result from improper use or connection.