

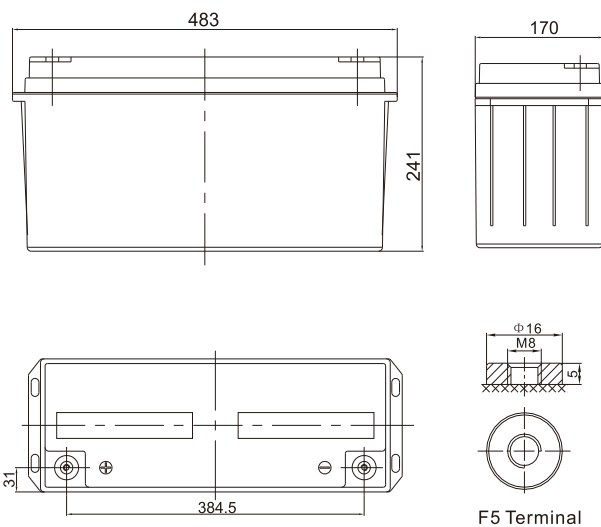
12.8V150Ah



LFP LI-ION BATTERY (LONG LIFE)



Dimension:



Unit: mm

SAFETY

- + Prismatic LFePO₄ cells, Longer cycle life and much more safety.
- + UN38.3, CE certification for system.
- + The cycle life over 3000 times @80%DOD

DESIGN

- + ABS container, replace VRLA battery perfectly. .
- + Fast charge performance,
- + -20~+55°C widely temperature range.
- + Maintenance free.

BATTERY MANAGEMENT SYSTEM (BMS)

- + Integrated hardware BMS inside.
- + Independent protection for charge and discharge.
- + OVP, LVP, OTP, Short circuit protection.

For more information, contact with: sales@ritarpower.com

12.8V150Ah

Specification

Part Number	8010128015001
Model	R-LFP12.8V150AH
Nominal Voltage [V]	12.8
Nominal Capacity [Ah]	100
Total Energy [Wh]	1920
Max. Charging Current [A]	100
Recommended Charging Current [A]	75.5
Charging Voltage [V]	14.6
Max. Discharging Current [A]	150
End of Discharge Voltage [V]	11.2
Pulse Discharge Current	400A @ 10s
Dimension (W*D*H, mm)	483*170*241
Weight [Kg]	20
Operation Humidity	0~95% RH (No condensing)
Operating Temperature Range	Charge: 0 ~ +45 °C ; Discharge: -20 ~ +55 °C
Protection	Over charge, Over discharge, Over temperature, Short circuit
Parallel Support	Yes, Max, 2 Sets
Series Support	Yes, Max. 4 Sets
Cycle Life ¹	>3000 cycles
Designed Calendar Life	>10 Years

Note:

1. 80% DOD and to 80% of initial capacity.