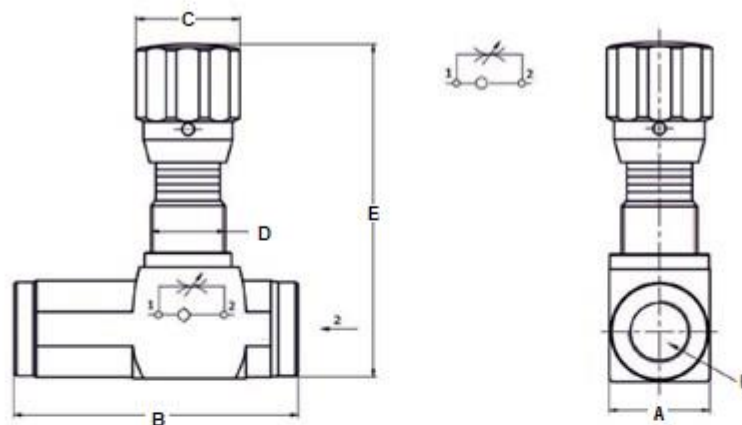


HYDRAULIC FLOW CONTROL VALVES (WITH / WITHOUT CHECK)

Material	Carbon Steel
Thread Size	BSP (Upon Request: NPT, Metric)
Sealing	Nitrile O-ring (NBR)
Working Temperature	-30 °C and +110 °C
Plating	Zinc Plating (Cr III Passivation)
Applications	General hydraulic applications

HYDRAULIC FLOW CONTROL VALVES WITH CHECK



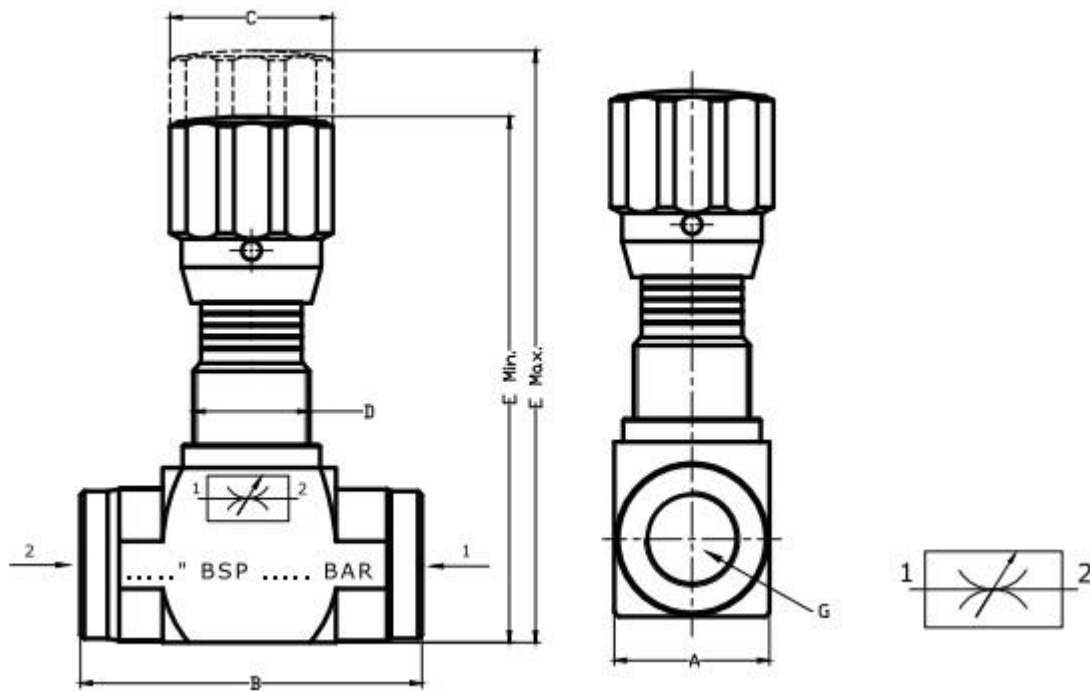
Technical Specifications

CODE	Thread Size - G	Working Pressure - Bar	Dimensions - mm					
			A	B	C	D	E	F
T14-1-0027	1/4" BSP	550	25	72	32,50	M20x1,5	86,50	95
T14-1-0028	3/8" BSP	530	25	80	32,50	M20x1,5	86,50	95
T14-1-0029	1/2" BSP	500	30	90	34,50	M22x1,5	92	103
T14-1-0030	3/4" BSP	480	40	115	42,50	M30x1,5	123	139,50
T14-1-0031	1" BSP	450	45	130	42,50	M30x1,5	130	148

Flow Rate / Pressure Drop Table

CODE	Thread Size	Pressure Drop $\cdot \Delta p$					
		1 Bar		2 Bar		5 Bar	
		Controlled	Uncontrolled	Controlled	Uncontrolled	Controlled	Uncontrolled
T14-1-0027	1/4" BSP	10,60	15,20	14,90	21,50	23,60	33,90
T14-1-0028	3/8" BSP	10,60	20,70	14,90	29,90	23,60	46,20
T14-1-0029	1/2" BSP	23,70	34,20	33,60	48,30	52,90	76,30
T14-1-0030	3/4" BSP	38	94,80	53,80	134	85	211,90
T14-1-0031	1" BSP	65,90	152,30	93	215	148	340

HYDRAULIC FLOW CONTROL VALVES WITHOUT CHECK



Technical Specifications

CODE	Thread Size - G	Working Pressure - Bar	Dimensions - mm					
			A	B	C	D	E Min.	E Max.
T14-1-0017	1/4" BSP	550	25	59,20	32,50	M20x1,5	86,50	95
T14-1-0018	3/8" BSP	530	25	59,20	32,50	M20x1,5	86,50	95
T14-1-0019	1/2" BSP	500	30	66	34,50	M22x1,5	92	103
T14-1-0020	3/4" BSP	480	40	88	42,50	M30x1,5	123	139,50
T14-1-0021	1" BSP	450	45	100	42,50	M30x1,5	130	148

Flow Rate / Pressure Drop Table

CODE	Thread Size	Pressure Drop- Δp		
		1 Bar	2 Bar	5 Bar
T14-1-0017	1/4" BSP	15,20	21,50	33,90
T14-1-0018	3/8" BSP	20,70	29,90	46,20
T14-1-0019	1/2" BSP	34,20	48,30	76,30
T14-1-0020	3/4" BSP	94,80	134	211,90
T14-1-0021	1" BSP	152,30	215	340