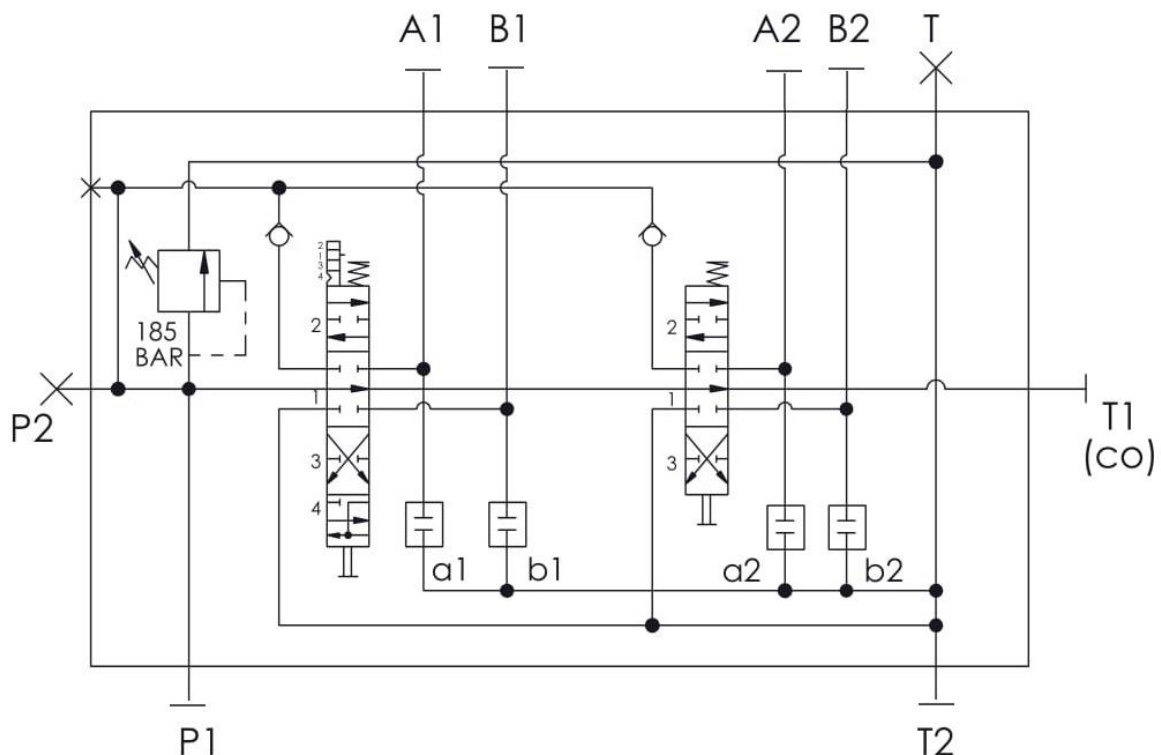


MONOBLOCK DIRECTIONAL CONTROL VALVES

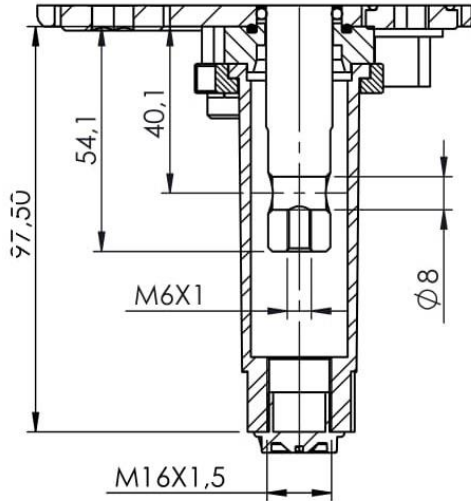
T08-50013422000 - LVM92 90L/MIN 2 SPOOL OPEN CENTER FRONT LOADER VALVE - 1/2 " BSP

| | |
|-------------------------------------|---|
| Nominal Flow | 90 lpm |
| Number of Spools | 2 |
| Maximum Working Pressure | 250 bar |
| Spool Positioner & type | Section 1 - 4 position, spring return, detent in 4th position, with cable control kit, port relief cavity plug in each section Section 2 - 3 position, double acting, spring return, with cable control kit, port relief cavity plug in each section High Pressure Carry-over |
| Main Relief Valve | Pre-set to 185 bar |
| T2, T(CO) Threads | 3/4" BSP |
| P1,P2,T1,A&B Threads | 1/2" BSP |
| Maximum Back Pressure | 10 bar |
| Internal Leakage | 2 cc (100 Bar; 32 cSt, 40°C) |
| Recommended Oil Viscosity Range | 10 cSt to 75 cSt |
| Recommended Fluid Temperature Range | -20 to +80 |
| Environmental Temperature | -40 to +60 |
| Maximum Contamination Level | Class 9 (NAS 1638) 19/16 (ISO 4406) |



MONOBLOCK DIRECTIONAL CONTROL VALVES

T08-50013422000 - LVM92 90L/MIN
 2 SPOOL OPEN CENTER FRONT LOADER VALVE - 1/2" BSP



SECTION A-A

