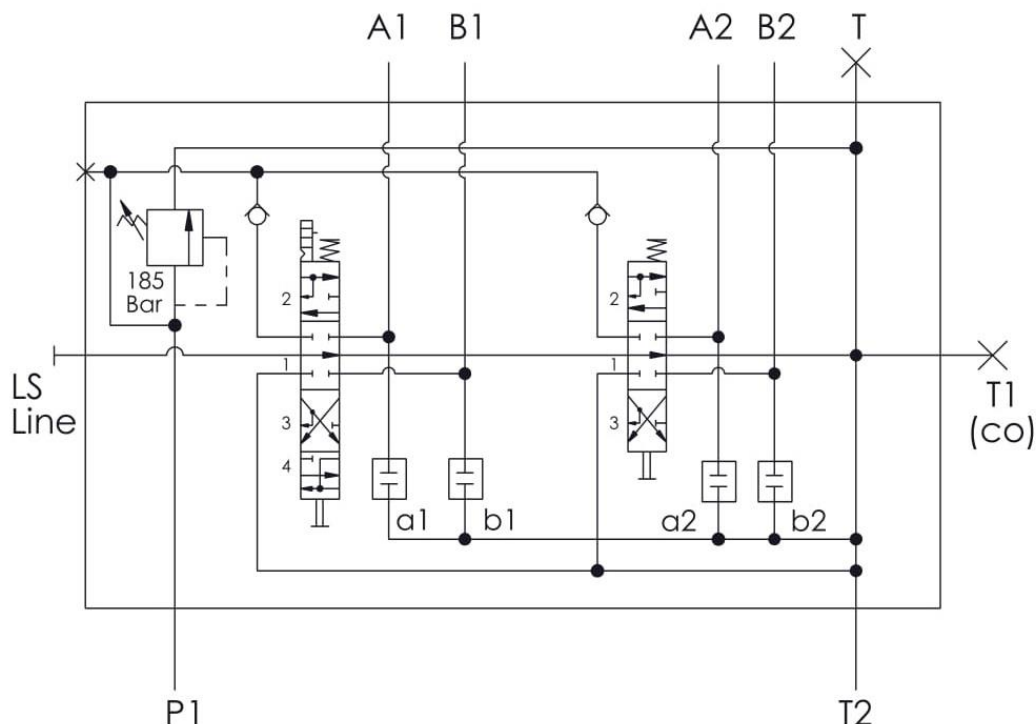


## MONOBLOCK DIRECTIONAL CONTROL VALVES

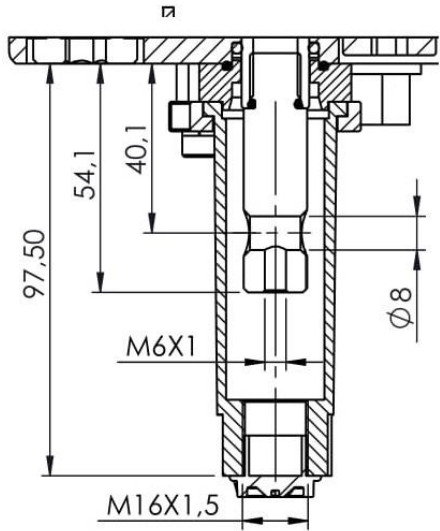
### T08-50013430000 LVM92(LS) 90L/MIN – 2 SPOOL LOAD SENSING FRONT LOADER VALVE - 1/2" BSP

Nominal Flow	90 lpm
Number of Spools	2
Maximum Working Pressure	250 bar
Spool Positioner & type	Section 1 - 4 position, spring return, detent in 4th position, with cable control kit, port relief cavity plug in each section Section 2 - 3 position, double acting, spring return, with cable control kit, port relief cavity plug in each section
Main Relief Valve	High Pressure Carry-over Pre-set to 185 bar
LS Line Thread	1/4" BSP
T2, T(CO) Threads	3/4" BSP
P1,P2,T1,A&B Threads	1/2" BSP
Maximum Back Pressure	10 bar
Internal Leakage	2 cc (100 Bar; 32 cSt, 40°C)
Recommended Oil Viscosity Range	10 cSt to 75 cSt
Recommended Fluid Temperature Range	-20 to +80
Environmental Temperature	-40 to +60
Maximum Contamination Level	Class 9 (NAS 1638) 19/16 (ISO 4406)



# MONOBLOCK DIRECTIONAL CONTROL VALVES

**T08-50013430000 LVM92(LS)**  
**90L/MIN – 2 SPOOL LOAD SENSING FRONT LOADER VALVE - 1/2" BSP**



SECTION A-A

