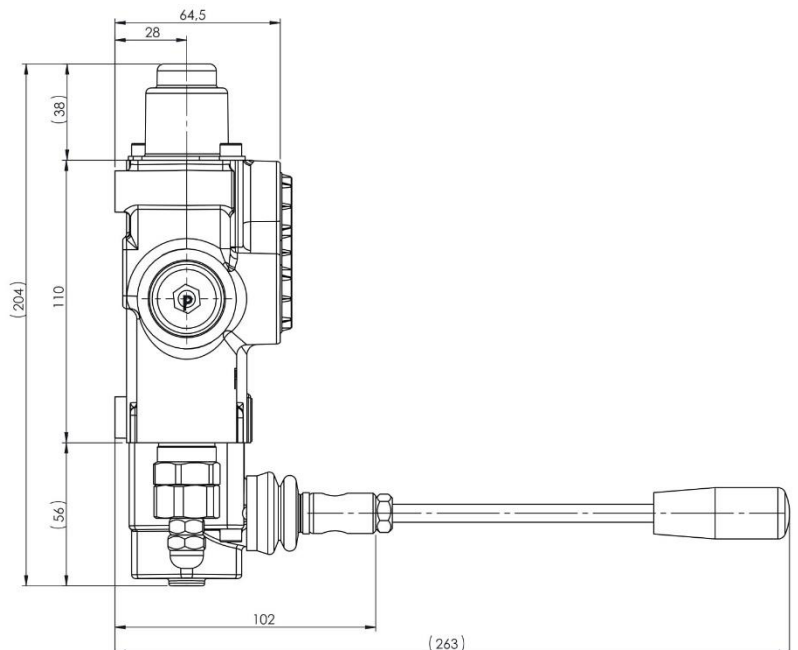
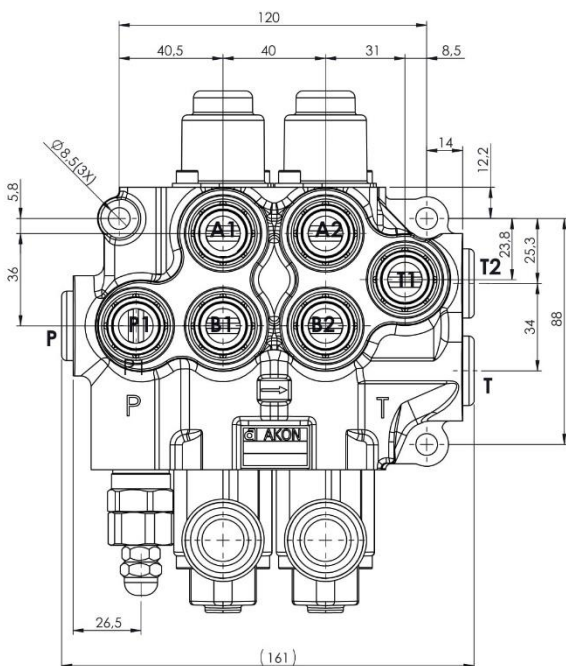


MONOBLOCK DIRECTIONAL CONTROL VALVES

T08-5006203000 - AMV502 50L/MIN – 2 SPOOL , DOUBLE ACTING - 1/2" BSP

| | |
|-------------------------------------|--|
| Nominal Flow | 50 lpm |
| Number of Spools | 2 |
| Maximum Working Pressure | 350 bar |
| Spool Positioner & type | Section 1 - 3 position, double acting, spring return with lever cap Section 2 - 3 position, double acting, spring return with lever cap |
| Main Relief Valve | Pre-set to 180 bar |
| T2, T(CO) Threads | 1/2" BSP |
| P,P1,T1,A&B Threads | 1/2" BSP |
| Maximum Back Pressure | 30 bar |
| Internal Leakage | 4 cc – 9 cc (100 Bar; 32 cSt, 40°C) |
| Recommended Oil Viscosity Range | 10 cSt to 75 cSt |
| Recommended Fluid Temperature Range | -20 to +80 |
| Environmental Temperature | -40 to +60 |
| Maximum Contamination Level | Class 9 (NAS 1638) 19/16 (ISO 4406) |



MONOBLOCK DIRECTIONAL CONTROL VALVES

T08-5006203000 - AMV502 50L/MIN – 2 SPOOL , DOUBLE ACTING - 1/2" BSP

