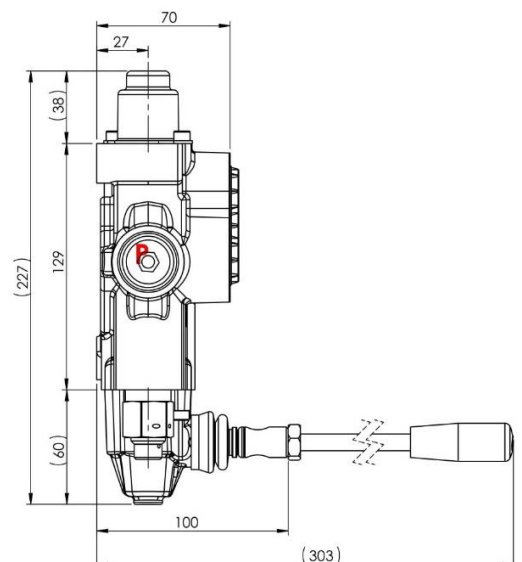
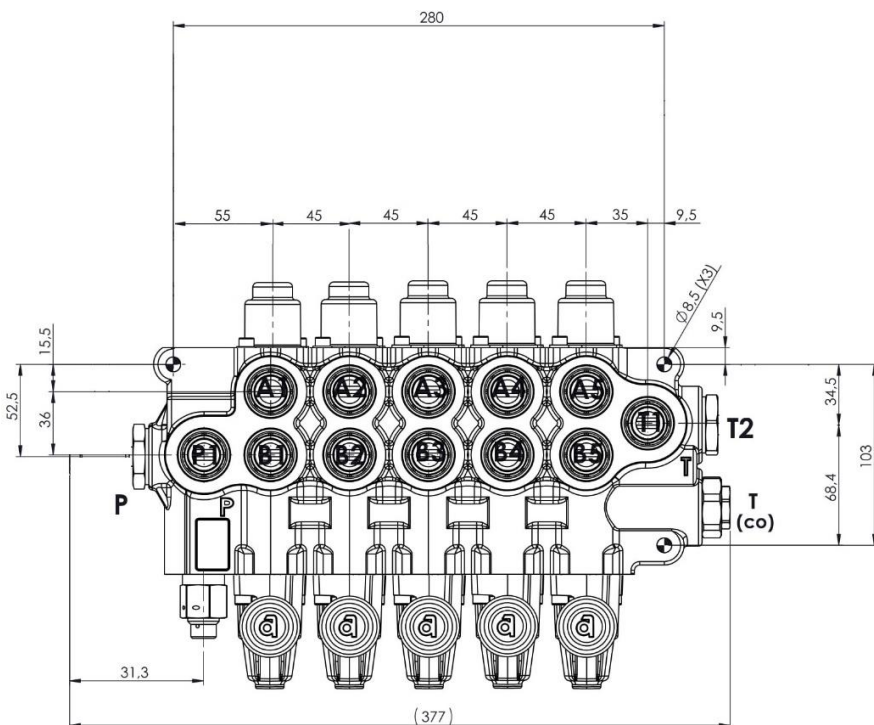


## MONOBLOCK DIRECTIONAL CONTROL VALVES

### T08-5007917000 - AMV705 80L/MIN – 5 SPOOL , DOUBLE ACTING - 1/2" BSP

Nominal Flow	80 lpm
Number of Spools	5
Maximum Working Pressure	315 bar
Spool Positioner & type	Section 1 - 3 position, double acting, spring return with lever cap Section 2 - 3 position, double acting, spring return with lever cap Section 3 - 3 position, double acting, spring return with lever cap Section 4 - 3 position, double acting, spring return with lever cap Section 5 - 3 position, double acting, spring return with lever cap
Main Relief Valve	Pre-set to 180 bar
T2, T(CO) Threads	3/4" BSP
P,P1,T1,A&B Threads	1/2" BSP
Maximum Back Pressure	30 bar
Internal Leakage	4 cc – 9 cc (100 Bar; 32 cSt, 40°C)
Recommended Oil Viscosity Range	10 cSt to 75 cSt
Recommended Fluid Temperature Range	-20 to +80
Environmental Temperature	-40 to +60
Maximum Contamination Level	Class 9 (NAS 1638) 19/16 (ISO 4406)



# MONOBLOCK DIRECTIONAL CONTROL VALVES

T08-5007917000 - AMV705 80L/MIN – 5 SPOOL , DOUBLE ACTING - 1/2" BSP

